

LET'S GO OVERBOARD!

KICKER's brand message to the world is "Livin' Loud" – taking whatever you have a passion for to the limit, done your way. For KICKER Marine, that became "GO OVERBOARD!"

On a boat or the water, it's taking the fun, excitement and adrenaline to the extreme, because that's how you do it. KICKER Marine gear helps you get there.

GO
OVERBOARD!
2021



KICKER[®]
MARINE AUDIO

KICKER products undergo rigorous testing to ensure they meet or exceed marine industry standards for UV exposure as well as humidity and saltwater exposure. Additionally, KICKER only designs and builds USCG (U.S. Coast Guard) and ABYC (American Boat and Yacht Council)-compliant accessory products. That's what we call "KICKER Real Marine."

The marine environment can take a huge toll on cosmetics and materials. Plastics get brittle and fade, foam speaker surrounds rot due to UV exposure, water creates its own issues, and saltwater even worse. All KICKER Real Marine products meet or exceed requirements in the following testing:

- + ASTM B117 Environmental and Salt-Spray (fog) Exposure
- + ASTM G154 Ultraviolet (UV) Exposure

KICKER REAL MARINE ACOUSTICS

Because of KICKER Real Marine standards, KICKER Marine Speakers are weatherproof. They employ several key mechanical features to provide resistance to the marine environment. We seal the cone and motor structure to prevent rust. We mold the cone and surround together as a single unit to lock out moisture. We seal off spade connections to prevent corrosion. We provide a drainage channel on the grilles so water can exit the drivers. Rain? Dust? Spilled beverages? No problem. Simply get out the garden hose and rinse them off.

KICKER Marine Speakers are built using injection-molded ABS for their baskets, grilles and components. They will not rust, unlike the stamped-steel basket frames that many manufacturers often use.

The rubber surround on KICKER Marine Speakers is the most UV-stable rubber available. This provides years of trouble-free use without fear of the brittle crumble that occurs as a result of using common foam surrounds.

The hardware that comes with KICKER Marine gear is stainless-steel – not inferior black-oxide steel or chrome-plated steel. Stainless commands a premium price, but it is the preferred material for all mechanical fasteners above the waterline on a boat, and the preferred for KICKER Marine products. The use of stainless-steel hardware helps prevent rust and gel-coat staining. In addition, the paint finish on all KICKER Marine Speakers will hold and maintain its color regardless the extent of exposure to the environment. When you buy KICKER Marine Speakers and install them, you can have faith knowing they will be the same color next summer and for years to come.

KICKER REAL MARINE ELECTRONICS

KICKER Marine Power Amplifiers are based upon our benchmark KX-Series Amplifier technology. We took the rock-solid KX-Amp foundation and added key moisture-deterring features to set the KICKER Real Marine series apart as a true amplifier line made for use in the outdoors.

KICKER Marine Amps feature circuit boards that are conformal-coated to completely seal and keep them dry from water and debris. All electrical connections and audio-specific controls are gasket-sealed to prevent damaging moisture intrusion. The KICKER Marine Amp's anodized-aluminum chassis looks like brushed aluminum, but the anodizing process hardens the surface for the best protection in the open environment. They are assembled using rust-free, stainless-steel fasteners, which are also included for mounting.

KICKER Marine Accessories set us apart from other industry brands. KICKER uses certified MRBF fuses and fuse holders. KICKER Marine power wire and speaker wire are also USCG/ABYC compliant. KICKER Marine Media Centers are IP66-certified so water does no harm. Your electronics are the last thing you want to worry about during a fun day on the surf, and KICKER Marine Accessories give you that piece of mind.

MEMBER OF

NMMA

National Marine Manufacturers Association



ABYC

TOWER SYSTEMS



GO
OVERBOARD!





KMTC/KMFC HLCD TOWER SYSTEMS

Your boat becomes a floating concert with KMTC and KMFC HLCD (horn-loaded compression driver) tower speakers. Available in black or white, these speakers deliver exceptional clarity and concert-level volume! You've never heard this combination of volume and clarity before. Each 9- and 11-inch coaxial driver carries a proprietary horn design, made to sound incredibly loud and smooth – whether you're on the deck or at the end of a tow rope.

On the KMTC, the innovative enclosure clamp is made of 316L stainless steel and houses both the speaker and LED cables – protecting them from the elements in a specialized mating socket.

The near full-rotation speaker design allows your music to play anywhere, any time. Simply flip the integrated toggle and turn the speaker to aim your music where you want it.

Easily bring your speakers from the house to your boat, thanks to KICKER's revolutionary in-clamp wiring system. Disconnecting wires is a thing of the past, and all you need is an Allen wrench!

KMFC Horn-Loaded Tower Systems provide another way to mount your cans, made for standard, flat factory tower-speaker hardpoints with 2.5-inch bolt spacing and hidden wires.

Light up the night with standard LED illumination. Seven vibrant colors let you match the speakers to your boat's color scheme, or upgrade to 20 colors and 19 wild lighting modes with the optional KMLC controller and wireless remote.

*ASTM B117 200 hr. Salt Fog Test
*ASTM G154 400 hr. Accelerated UV Test

NEW! 2021



KMTC11



KMFC11

AVAILABLE IN BLACK OR WHITE

- Horn-loaded, compression-driver (HLCD), high-efficiency system
- Advanced horn design delivers natural-sounding, high-frequency response
- Includes 1 inch (25mm) titanium-dome compression drivers
- LED-infused enclosures
- KMTC has a swiveling design and quick-disconnect socket; KMFC uses standard, flat factory hardpoints to mount



KMTC9



KMTC9

KMLC LED CONTROLLER (SOLD SEPARATELY)

- Provides multi-function control of LED lighting in KICKER Marine Coaxials, Towers and Subwoofers
- Ultra-slim remote manages 20 different colors
- 19 dynamic modes, including adjustable brightness, fade, speed/strobe and auto save



speaker size: in, mm . power handling: watts PEAK/RMS . frequency response in Hz . Power handling assumes typical music program with minimal clipping; varies with enclosure size. See your KICKER dealer for complete details.

KMTC11	TYPE: 2-way pair	WOOFER: 11, 280	COMPRESSION DRIVER: 1, 25	POWER: 600/300
KMTC9	TYPE: 2-way pair	WOOFER: 9, 230	COMPRESSION DRIVER: 1, 25	POWER: 600/300
KMFC11	TYPE: 2-way pair	WOOFER: 11, 280	COMPRESSION DRIVER: 1, 25	POWER: 600/300
KMFC9	TYPE: 2-way pair	WOOFER: 9, 230	COMPRESSION DRIVER: 1, 25	POWER: 600/300

KMTC/KMFC COAXIAL TOWER SYSTEMS

KMTC8 coaxial tower systems come loaded with powerful 8-inch midranges and 1-inch titanium tweeters. A single or dual 6-1/2-inch version with 3/4-inch titanium dome tweeters is also available in the KMTC65 and KMTDC65 models. The injection-molded polypropylene speaker cones are UV-treated and matched with Santoprene® surrounds for excellent sound quality and durability in any weather. Mounting hardware is forged from rustproof, 316L stainless-steel.

Our molded ABS enclosures are made for long life on the water. The UV-resistant finish is anti-fading and anti-corrosion, with a proprietary design that produces outstanding sound quality in open-air environments.

A revolutionary, near full-rotation swivel clamp lets you aim your music anywhere, anytime – with no tools required. The stainless-steel clamp automatically adapts to tube sizes ranging from 1-1/2 to 3-1/4 inches – vertically or horizontally, while the through-clamp wiring and integrated speaker/LED connectors create a clean look without binding posts.

ASTM Salt/Fog* and UV**-certified, all KMTC tower speakers meet or exceed industry standards.

With customizable LED lighting included, your speakers can match your boat's theme. Twenty color options as well as 19 dynamic modes are available when using the optional KMLC remote.

Check into KMFC Flat-Surface-Mount Cans that are made specifically for installation on a flat surface, using the provided hardware to mount either flat or angled, or pitched up or down 5° or 10°.

*ASTM B117 200 hr. Salt Fog Test
**ASTM G154 400 hr. Accelerated UV Test



KMTC8



KMTC65

- Marine LED-infused coaxials loaded in dual or single tower pairs
- One model with swiveling design and locking toggle (KMTC)
- Other model includes hardware to mount to any flat surfaces (KMFC)
- Available in charcoal or white



KMFC Flat Surface Mount



KMTC8

speaker size: in, mm . power handling: watts PEAK/RMS . frequency response in Hz . Power handling assumes typical music program with minimal clipping; varies with enclosure size. See your KICKER dealer for complete details

KMTC8	TYPE: 2-way pair	WOOFER: 8, 200	TWEETER: 1, 25	POWER: 300/150
KMTC65	TYPE: 2-way pair	WOOFER: 6-1/2, 165	TWEETER: 3/4, 20	POWER: 195/65
KMTDC65	TYPE: 2-way dual pair	WOOFER: 6-1/2, 165	TWEETER: 3/4, 20	POWER: 390/130
KMFC8	TYPE: 2-way pair	WOOFER: 8, 200	TWEETER: 1, 25	POWER: 300/150
KMFC65	TYPE: 2-way pair	WOOFER: 6-1/2, 165	TWEETER: 3/4, 20	POWER: 195/65



USE THE KMLC LED REMOTE!

AVAILABLE IN BLACK OR WHITE





KMT67 LONG-THROW TOWER SYSTEM

The KMT67 is a full-range, high-quality two-way speaker system specifically designed for directing tunes inside and behind the boat. The tower system adds yet another level to the diverse selection of audio gear for watercraft produced by KICKER.

The KMT67 consists of dual 6-3/4-inch woofers in two stylish, injection-molded ABS enclosures. Horn-loaded tweeters deliver long-range output and superior dispersion control. The six total speakers provide twice the cone area of a traditional coaxial tower system for ultimate volume.

The enclosures are designed for either below- or above-the-bar mounting. Billet-aluminum mounting brackets and clamp inserts adjust to seven common sizes, matching most every wake tower or roll-bar diameter. Each enclosure is also designed with a five-way, binding post hook-up on the back for added stability. The system includes stainless-steel mounting hardware.

The KMT67 is weather-proof with sealed cones and motor assemblies, while the titanium-dome tweeters are protected by dense, open-celled foam. All components are UV-treated for improved resistance against the sun's rays and the harsh marine environment. The speakers come with grilles that can be removed for a different aesthetic appeal.

- Full-range, two-way speaker system
- Dual 6.75-inch drivers with horn-loaded tweeter
- Works w/ most pipe sizes (additional sizes available – model number KMTAP)



KMT67

speaker size: in, mm . power handling: watts PEAK/RMS . frequency response in Hz . Power handling assumes typical music program with minimal clipping; varies with enclosure size. See your KICKER dealer for complete details.

KMT67: TYPE: 2-way WOOFER: 6-3/4, 165 TWEETER: 3/4, 20 TWEETER HORN: 3-1/4 x 6, 83 x 151
POWER: 300/150 DIM: 19-1/16W x 9H x 11D, 48.4W x 22.9H x 28D

KMS67 HLCD COMPONENT SYSTEM

Providing maximum sound quality up close and especially at a distance, the KMS67 consists of two 6-3/4-inch, high-efficiency midrange speakers featuring lightweight, dual-stack neo-motor technology and cast-aluminum baskets. It also includes a pair of horn-loaded, 1.7-inch compression drivers with titanium diaphragms and phase plugs for ultimate clarity and volume.

The advanced KICKER-designed horns (60-degree-vertical-by-90-degree horizontal) deliver a natural-sounding, "non-peaky" performance out to the skier, wakeboarder or wakesurfer. Integrated crossovers for the perfect musical blend complete the ultimate marine system and take the guesswork out of wiring.

KICKER tower speakers are engineered with the highest design standards and are a breeze to install, fitting snugly into 6-1/2-inch speaker cans (sold separately). Both midranges and horns are designed to fit can enclosures with identical hole diameters and bolt patterns and are built to fit perfectly with KICKER Empty Tower Enclosures.

UV treatments on the midranges' injection-molded cones, water-proof Santoprene® surrounds, baskets and grilles help the tower system tolerate freshwater or saltwater environments. Water-proof, bolt-thru grilles offer added speaker protection, and all hardware is made from rustproof, 316L stainless steel.

- Horn-loaded, compression-driver (HLCD), high-efficiency system
- Advanced horn design delivers natural-sounding, high-frequency response
- Outstanding sound up close inside the boat and at a distance
- Installs easily into KICKER KMTED or KMTES Empty Tower Enclosures



KMS67

speaker size: in, mm . power handling: watts PEAK/RMS . frequency response in Hz . Power handling assumes typical music program with minimal clipping; varies with enclosure size. See your KICKER dealer for complete details.

KMS67: TYPE: 2-way WOOFER: 6-3/4, 165 COMPRESSION DRIVER: 1.7, 43 POWER: 400/200





KM EMPTY TOWER ENCLOSURES

KMTES and KMTED enclosures are available in black and white. Both models accept all KICKER 8-inch, 6-1/2 or 6-3/4-inch component speakers, coaxials and horns. They include slotted mounting holes for different bolt patterns, stainless-steel screw-type connectors and come with aluminum tower-pipe clamps (2-5/8") with three other adapter sizes (2-1/4", 2-3/8", 2-1/4"). The KMTAP adapter pack that fits more pipe diameters is sold separately – ask your dealer.

The 4-inch KMMTES Tower Enclosures were designed to house the KICKER KM4 4-inch coaxial speakers. They provide two mounting options: a regular, straight base mount or an off-set bracket for angular mounting. The off-set bracket allows the enclosures to rotate, pointing sound directly to the listener's ears for an optimum listening experience. Available in black or white.

The KMMTES speaker enclosures all include acoustic poly-fill for the clearest sound, all mounting hardware, and fit tubing sizes 7/8-inch to 1-1/4-inch round or 1-inch square. The molded ABS enclosures, boasting bold cosmetics and contrasting accent details, complement KICKER's Marine speaker lineup.



KMTES8



KMTESW

AVAILABLE IN BLACK OR WHITE



KMMTES



KMMTESW



KMTED

KMMTES:	Mini Tower	Enclosures 4-Inch (100mm)	Drivers, pair
KMTES:	Tower	Enclosures 6-Inch (160mm) 6-1/2-Inch (165mm)	Drivers, pair
KMTED:	Tower	Dual Enclosures Dual 6-Inch (160mm) 6-1/2-Inch (165mm)	Drivers, pair
KMTES8:	Tower	Enclosures 8-Inch (200mm)	Drivers, pair

- Works with any KICKER coaxials or KMS67 HLCD Component System
- Billet-aluminum mounting brackets and adapter inserts
- Available in black or white

GO
OVERBOARD!





SPEAKERS & SUBS

L7S™ SUBWOOFERS

The L7S™ is a cutting-edge, square-sub design from the award-winning KICKER Solo-Baric® line that is the most recognizable woofer in the industry. The unique design ultimately means more cone area, more air displacement and more raw bass than a conventional round subwoofer. And when installed in its optimum sealed enclosure, the L7S is weather-proof for all fresh-water applications.

The L7S handles huge power and provides extreme output. The dual-voice-coil terminals are satin nickel-plated and spring-loaded for an attractive, reliable connection to larger gauge wire. The heavy-duty ribbon tinsel leads take your amplifier's power through a semi-progressive spider to voice coils equipped with high-temp copper windings, engineered to handle intense heat easily while delivering extraordinary power levels. To dissipate any excess heat, KICKER's UniPlate™ black plate and pole piece represent a single, solid unit, allowing heat to move away from the motor. Venting below the spider allows air to move and heat to escape.

You want grace under pressure. With patented corner-ribs to minimize distortion and a blue-stitched Santoprene® surround helping to hold the massive cone structure in place, the L7S provides durability at high excursion without compromising sound quality.

In addition to the stable structure, the L7S revolves around KICKER's most advanced cone design, the injection-molded SoloKon™, which adds targeted strength for reliable performance and accurate response. The 360-degree, constant-contact back bracing adheres directly to every contour of the SoloKon square cone, maximizing the mechanical coupling of the motor while making the woofer as strong and responsive as possible.



L7S10

L7S SUBWOOFER LED GRILLES (SOLD SEPARATELY)

Big bass needs big protection. That's why you can get woofer-shielding square grilles made for the marine climate in white or charcoal! Each grille comes with color-changing, RGB LED lighting pre-installed to set the mood in your boat.

- Patented square-cone tech for more bass than same-sized round sub
- Outstanding sound quality and high power handling
- Ultra-rigid, one-piece SoloKon™ with vented, 360-degree back bracing
- Extreme durability in fresh-water applications only (not recommended for salt water)



L7S10



L7S12



L7S10

MULTI-COLOR RGB LED LIGHTING AVAILABLE IN 10" AND 12"



**USE THE KMLC
LED REMOTE
WITH THIS
PRODUCT!**

speaker size: in, cm . power handling: watts PEAK/RMS . impedance: Ohms . Power handling assumes typical music program with minimal clipping; varies with enclosure size. See your KICKER dealer for complete details. Based on measurements of 4Ω models.

L7S12: SIZE: 12, 30	POWER: 1500/750	IMPED: 2 or 4 DVC	MOUNT DEPTH: 6-13/16, 17.3	HOLE DIAM: 11-1/16, 28.1	OUTER DIAM: 12-15/16, 32.8
L7S10: SIZE: 10, 25	POWER: 1200/600	IMPED: 2 or 4 DVC	MOUNT DEPTH: 6-1/4, 15.9	HOLE DIAM: 9-5/16, 23.7	OUTER DIAM: 11, 28.04





KM-SERIES SUBWOOFERS



KM12



KM12



KM10



KM12 Grille
(Sold separately)



KM10 Grille
(Sold separately)

The eight KICKER KM Marine Subwoofers deliver superior bass, in or out of an enclosure. Co-molded woofer cones and butyl surrounds create a superior seal, while tooled polycarbonate baskets, front and rear gasketing, and ASTM salt/fog* and UV**certification make this one of the loudest, longest lasting subs you'll ever put on your boat.

Made to thrive on the water, KM subs are equipped with a splash-resistant, sealed motor structure and locking terminal cover, so the beating heart of the sub is kept perfectly dry and playing hard!

KMF Freeair Subwoofers are perfect for creating big bass without an enclosure. As weatherproof and marine-ready as their KM cousins, all you have to do is mount and power them. Instant bass!

KICKER KM Subwoofers thrive in a sealed or vented enclosure. You get the solid, weatherproof low-end you need to feel the beat on your boat.

Both KM Subwoofer styles are now available in two sizes (10- and 12-inch) and two impedances (2- or 4-Ohm single voice coil) for the flexibility to design your system, your way.

*ASTM B117 200 hr. Salt Fog Test

**ASTM G154 400 hr. Accelerated UV Test

- KM designed specifically for sealed or ported enclosures
- KMF designed specifically for freeair applications
- Charcoal or White grilles featuring multi-color LED lighting sold separately

speaker size: in. cm . power handling: watts PEAK/RMS . frequency response in Hz . Power handling assumes typical music program with minimal clipping. See your KICKER dealer for complete details.

STANDARD MARINE

KM12	WOOFER: 12, 30	POWER: 500/250	IMPED: 2 or 4 SVC	MOUNT DEPTH: 5.5, 13.9	HOLE DIAM: 11, 27.9	OUTER DIAM: 13, 32.95
KM10	WOOFER: 10, 25	POWER: 500/250	IMPED: 2 or 4 SVC	MOUNT DEPTH: 5, 12.7	HOLE DIAM: 9-3/16, 23.2	OUTER DIAM: 10-11/16, 27.1

FREEAIR MARINE

KMF12	WOOFER: 12, 30	POWER: 500/250	IMPED: 2 or 4 SVC	MOUNT DEPTH: 5.5, 13.9	HOLE DIAM: 11, 27.9	OUTER DIAM: 13, 32.95
KMF10	WOOFER: 10, 25	POWER: 500/250	IMPED: 2 or 4 SVC	MOUNT DEPTH: 5, 12.7	HOLE DIAM: 9-3/16, 23.2	OUTER DIAM: 10-11/16, 27.1

KM-SERIES SUBWOOFER LED GRILLES (SOLD SEPARATELY)

- Made for KM/KMF 10- and 12-inch subwoofers, these grilles protect – brilliantly! RGB LED-equipped and molded from thick ABS plastic, the grilles come in white or charcoal.
- Perfect for fresh and salt water, these waterproof grilles provide years of protection for your bass, while thick silicone-coated LEDs give your boat an added flair!



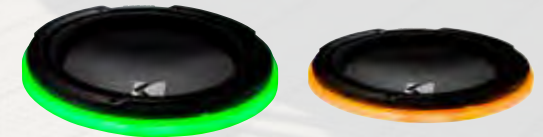
USE THE KMLC LED REMOTE!

KLSR LED SPEAKER RINGS

- Light up the night with easily mountable, multi-color LED rings
- Seven colors, upgradable to 20 colors and 19 active modes with the KMLC LED Remote Control (sold separately)
- Weather-proof, half-inch spacers fit directly behind your speaker

KLSR12

KLSR10



KLSR12

KLSR10



TB-SERIES COMPACT WEATHERPROOF SUB SYSTEMS

Use KICKER TB Subs in a boat! Made to withstand the outdoors, we recommend TB-Series Subwoofer Systems in freshwater boating applications, and mounted horizontally for deepest bass and best acoustical results. Horizontal TB Subs mount perfectly inside furniture like the lounge backrest, or possibly inside the driver's helm box.

Built from thick ABS, the TB comes equipped with our active CompR® woofer, and the signature double red stitching creates an unrelenting bond between the Santoprene® surround and polypropylene woofer cone.

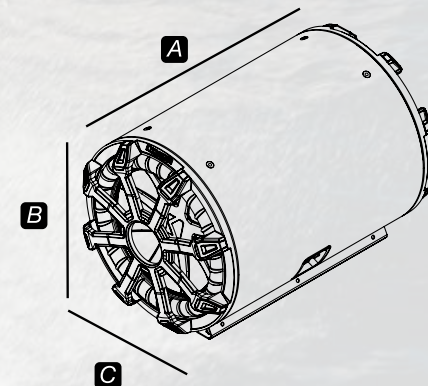
A reFLEX® passive subwoofer is mounted on the opposite end of the TB tube enclosure for deep excursion with a small footprint.

- Combines active CompR® sub with passive reFLEX sub for outstanding bass
- Thick, cylindrical ABS enclosure protects woofers loaded on each end
- Innovative bracketing system allows for horizontal mounting
- Extreme durability in fresh-water applications only (not recommended for salt water)

TB8



TB10



speaker size: in, cm . power handling: watts PEAK/RMS . impedance: Ohms .Power handling assumes typical music program with minimal clipping; varies with enclosure size. See your KICKER dealer for complete details. Based on measurements of 4Ω models.

TB10: 10, 25	POWER: 800/400	IMPEDANCE: 2 or 4	DIM A: 16-9/16, 42.1	DIM B: 10-3/4, 27.3	DIM C: 10-5/8, 27
TB8: 8, 20	POWER: 600/300	IMPEDANCE: 2 or 4	DIM A: 12-7/8, 32.8	DIM B: 8-5/8, 21.9	DIM C: 8-1/2, 21.6

KICKER

KICKER





KM-SERIES COAXIAL SPEAKERS



KM65 with LED accent lighting and grilles



KM8 with LED accent lighting



KM4 comes with charcoal and white grilles

GRILLES AVAILABLE IN CHARCOAL OR WHITE
MULTI-COLOR LED LIGHTING
WITH KM8 OR KM65

Boaters everywhere will enjoy KM-Series Marine Coaxial Speakers, now in even more sizes and available with both charcoal and white grilles. They all retain all the spectacular highs and lows for which KICKER Speaker Systems are known, with the added convenience of multiple size options to fit virtually any application. Designed for the simplest of speaker installations, it's a breeze to get live-quality, full-range audio designed specifically for a marine environment.

The KM4 packs a lot of power into a pair of 4-inch midrange speakers and quality 1/2-inch tweeters. Available in either 2- or 4-Ohm models, it fits perfectly into KICKER KMMTES 4-inch Empty Enclosures for boat towers (sold separately). KM4 comes standard with both white and charcoal grilles.

The KM65 includes two 6-1/2-inch midrange speakers and 3/4-inch tweeters. The KM65 is available with or without RGB LED lighting with both white and charcoal grilles.

The KM8 is similar in color, available in 4-Ohm, and the 8-inch mids and 1-inch tweeters will brighten any boating experience with multi-color LED lights that can be changed to fit your mood. The KM8 comes standard with both white and charcoal grilles.

All models of KICKER Marine Coaxials meet or exceed industry standards for environmental humidity and corrosion* and for material degradation due to UV exposure.** UV treatments on the coaxials' injection-molded cones, Santoprene® surrounds, baskets and grilles help all models to maintain in marine environments. These speakers can endure most any weather conditions with splash- and spray-resisting sealed motors, cones and locking terminal covers. Speaker hardware is forged from rustproof, 316L stainless-steel.

* ASTM B117 200 hr. Salt Fog Test

** ASTM G154 400 hr. Accelerated UV Test

- Optional, multi-color LED accent lighting on KM8 and KM65
- Packaged with both charcoal and white grilles
- Designed specifically for boat audio with weather-proof qualities

speaker size: in, mm . power handling: watts PEAK/RMS . frequency response in Hz . Power handling assumes typical music program with minimal clipping; varies with enclosure size. See your KICKER dealer for complete details.

KM4	WOOFER: 4, 100	TWEETER: 1/2, 13	POWER: 150/50	FREQ: 60-20k	IMPED: 2 or 4
	MOUNT DEPTH: 1-7/8, 48	HOLE DIAM: 3-13/16, 97	OUTER DIAM: 5-1/8, 130		
KM65	WOOFER: 6-1/2, 165	TWEETER: 3/4, 20	POWER: 195/65	FREQ: 35-21k	IMPED: 4
	MOUNT DEPTH: 2-7/8, 72	HOLE DIAM: 5-1/8, 130	OUTER DIAM: 6-7/8, 174.1		
KM8	WOOFER: 8, 200	TWEETER: 1, 25	POWER: 300/150	FREQ: 30-21k	IMPED: 4
	MOUNT DEPTH: 3-1/4, 82	HOLE DIAM: 6-11/16, 170	OUTER DIAM: 8, 204.1		

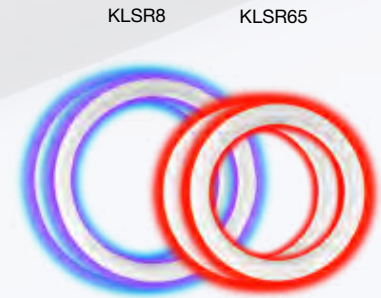
KMLC LED CONTROLLER (SOLD SEPARATELY)

- Provides multi-function control of LED lighting in KICKER Marine Coaxials, Towers and Subwoofers
- Ultra-slim remote manages 20 different colors
- 19 dynamic modes, including adjustable brightness, fade, speed/strobe and auto save



KLSR LED SPEAKER RINGS

- Light up the night with easily mountable, multi-color LED rings
- Seven colors, upgradable to 20 colors and 19 active modes with the KMLC LED Remote Control (sold separately)
- Weather-proof, half-inch spacers fit directly behind your speaker



KLSR8

KLSR65

POWER AMPLIFIERS



GO
OVERBOARD!



KXMA-SERIES MARINE POWER AMPLIFIERS

The KXMA-Series takes proven technologies and advanced components to the water. These weather-resistant marine amps utilize class-leading features for unbelievable sound in the boating environment, in the most compact chassis to date.

KXMA-Series Marine Amplifiers are available in six models: a 900-watt, hybrid 5-channel amp for a full system solution; two-channel amplifiers with up to 1,200 watts of power; a pair of 4-channel amplifiers with up to 800 watts of power; and a massive 8-channel, 800-watt amplifier. All six KICKER marine power units utilize Class-D amplification for the best in efficiency, flexibility and sound quality without draining your boat's battery.

The five-channel KXMA900.5 includes 1-Ohm stability and KickeEQ+™ parametric bass boost. A variable subsonic filter is also included to make your bass powerful, accurate and ultra-reliable!

KXMA-Series Amps are built for playing outdoors, like any KICKER Real Marine™ product. Power, speaker and input connections are gasket-sealed, as is the control cover, for a water-resistant barrier to key components. The internal circuit boards are protected by a conformal coating for water and dirt resistance, plus all power connections meet ABYC/NMMA/NMEA standards.

Stainless-steel mounting hardware prevents rust stains on carpeting and gel coat, and the chassis' anodized finish battles harsh solar rays. They feature an optimized circuit layout for the most efficient use of components, the smallest footprint and clearest sound quality. KXMA-Series Amplifiers also come loaded with variable active crossover and digital preamplifier.



KXMA900.5



KXMA900.5

NEW! 2021



KXMA900.5



- Superior sound quality and weather-resistant power
- KXMA900.5 amp with sub channel stable to 1 Ohm
- KICKER Real Marine™ means it's made specifically for marine use
- Completely updated and improved for 2021



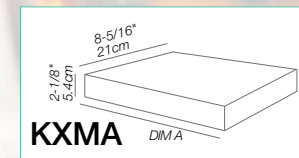
KMBLC REMOTE LEVEL CONTROL

Dial in the volume on the KXMA.5 with the dash-mount remote.

all power listed in watts per channel . dimensions in in, cm

MULTI-CHANNEL

KXMA500.4	POWER 2Ω STEREO: 125x4	POWER 4Ω BRIDGED MONO: 250x2		DIM A: 11-3/16, 28.4
KXMA800.4	POWER 2Ω STEREO: 200x4	POWER 4Ω BRIDGED MONO: 400x2		DIM A: 11-9/16, 29.4
KXMA900.5	POWER 2Ω STEREO: 125x4	POWER 4Ω BRIDGED MONO: 250x2	CLASS D 1Ω MONO: 400	DIM A: 12-3/4, 32.4
KXMA800.8:	POWER 2Ω STEREO: 100x8	POWER 4Ω BRIDGED MONO: 200x4		DIM A: 14-3/4, 37.4
	STEREO			REMOTE INCLUDED
KXMA400.2:	POWER 2Ω STEREO: 200x2	POWER 4Ω BRIDGED MONO: 400x1		DIM A: 9-9/16, 24.4
KXMA1200.2:	POWER 2Ω STEREO: 600x2			DIM A: 11-3/16, 28.4



MEMBER OF
NMMA
National Marine Manufacturers Association





KMA-SERIES MARINE POWER AMPLIFIERS

KMA-Series Marine Amplifiers are an affordable way to get KICKER power on the water. Available in five flexible models, the KM line offers up to 800 watts of power in a mono amp as well as a two, four and super-flexible six-channel amps! Purpose-built for your boat, every KM amp comes complete with marine-grade speaker terminals, stainless-steel screws, conformal-coated circuit boards and ABYC/NMMA/NMEA-compliant power connections – KICKER Real Marine™ in every way.

A variable 12dB crossover controls the sonic response of your speakers, while a 24dB subsonic filter on the 1-Ohm stable KMA800.1 and the KMA600.6 actively filters out damaging ultra-low frequencies. The amplifiers are also equipped with KickEQ™ variable bass boost.

The KMA600.6 powers up to three independent full-range zones. Whether you're swimming, wakeboarding or tubing, this six-channel 600-watt amp gives you an easy way to get the perfect volume levels in the water and on the boat at the same time. Control the volume of one zone with the receiver, and the other zone with the included KXMARLC remote level control.



KMA800.1



KMA800.1

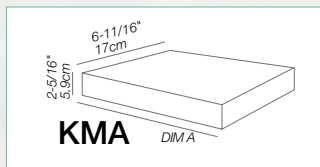


NEW! 2021

- Reliable, weather-resistant power and performance
- KICKER Real Marine™ with ABYC/NMMA/NMEA-compliant features
- Three-zone capability with the KMA600.6
- Completely updated and improved from the KICKER original KM line



KMA800.1



KMBLC REMOTE LEVEL CONTROL

Dial in the volume on the KMA.1 with the dash-mount remote.



all power listed in watts per channel . dimensions in in, cm

MULTI-CHANNEL

KMA360.4	POWER 2Ω STEREO: 90x4	POWER 4Ω BRIDGED MONO: 180x2	DIM A: 12-7/16, 31.5
KMA600.4	POWER 2Ω STEREO: 150x4	POWER 4Ω BRIDGED MONO: 300x2	DIM A: 12-7/16, 31.5
KMA600.6	POWER 2Ω STEREO: 100x6	POWER 4Ω BRIDGED MONO: 200x3	DIM A: 13-15/16, 35.3
STEREO			
KMA150.2:	POWER 2Ω STEREO: 75x2	POWER 4Ω BRIDGED MONO: 150x1	DIM A: 8-1/16, 20.4
MONO			
KMA800.1	POWER 1Ω MONO: 800x1	DIM A: 8-1/16, 20.5	REMOTE INCLUDED



MEMBER OF



National Marine Manufacturers Association

GO 
OVERBOARD!





SOURCE UNITS

KMC5 PREMIUM MEDIA CENTER

Providing the ultimate fun for your cruise, KICKER's premier KMC5 Media Center features six channels of built-in power, delivering up to 240 watts to your speakers! It's equipped with an AM/FM/satellite-radio/weather-band tuner, charging USB connection and four sets of RCA outputs for easy expansion.

Your KMC5 comes with a sunlight-viewable, full color 3.5-inch LCD screen, rotary encoder and 240 watts of peak power into six channels. Add even more bump to your boat by adding amplifiers to the front, rear, subwoofer and Zone-2 RCA outputs.

Exclusive to the KMC5, the included video input can be configured in a variety of ways. Monitor your rider at the end of the rope, use it as a backup camera, even use it as a video baby monitor! The video input can be toggled with either a trigger wire or a button push.

Pair your Bluetooth to the KMC5, plug into the USB or RCA inputs, or turn on the AM/FM or satellite radio. Add a KRC55 Digital Remote or a KRC12 Remote Commander for even more control. This durable Media Center is ready for some fun on the water!



- Video input is provided for use with backup or tower cameras, or other sources
- NMEA®2000-compatible
- "Zone 2" provides independent volume control of a separate listening area
- Satellite-radio ready
- Add the KRC55 Digital Remote for convenience and control of listening zones



KMC4 DUAL-ZONE MEDIA CENTER

Meet your new entertainment hub! The KMC4 features four channels and up to 200 watts of built-in power. It comes equipped with an AM/FM/Bluetooth/weather-band tuner, charging USB connection and four sets of RCA outputs for easy expansion.

The KMC4 comes with a sunlight-viewable, full-color 3-inch LCD screen and a rotary encoder for easy access to your tunes. Add even more bump to your boat by connecting amplifiers link to marine amps to the front, rear, sub, and Zone-2 RCA outputs. The KMC4 is ready for any music you want to play with the full-color display showing you on-screen artist, album art, track and title data.

- "Zone 2" provides independent volume control of a separate listening area
- Up to 10 Favorites for each source
- Add a wired KICKER KRC12 Remote Commander for more control







KMC2 GAUGE MEDIA CENTER/ KMC3 ALL-IN-ONE MEDIA CENTER

2 looks – one great tuner!

The KMC3 and KMC2 Media Centers are made specially for marine and outdoor use, equipped with an AM/FM tuner and large, backlit buttons that let you adjust power, volume, seek, tuning, pause/play and mute. Built-in Bluetooth® easily pairs with your device for wireless music streaming from up to 30 feet away. With USB charging and RCA aux-inputs standard, these receivers are ready to play virtually any source you want – whenever you want. The built-in, 72-watt (RMS) amplifier delivers as much as 20 watts per channel into four channels. A full-range RCA output lets you connect KICKER marine amplifiers to the system, for an even bigger party!

Using a clever APS (auto preset system), the KMC3 and KMC2 automatically memorize the strongest radio stations in your immediate area. Customize your sound with user-definable equalizer settings, or use one of the convenient pre-made settings for rock, classical, flat or pop. The bass, treble, balance and fader are always adjustable with the press of a button.

The anti-glare LCD display lets you view information during all times of the day and weather. As with all KICKER Marine gear, the KMC3 and KMC2 are UV- and salt/fog-rated for long life and includes stainless-steel hardware for a flawless installation that lasts.

- AM/FM/USB/Bluetooth streaming receiver
- Anti-glare LCD display for day or night
- Customizable EQ with four supplied presets



KMC2



KMC3



MEMBER OF



National Marine Manufacturers Association

SOURCE UNIT ACCESSORIES

KRC12 REMOTE COMMANDER

(use with all KICKER Media Centers)

Control your music from anywhere on the boat with the KRC12 Wired Remote Commander. Whether you're topside or in the cabin, this flexible remote lets you instantly change the source, volume and track with the press of a button. Comes with its own 25-foot cable, and provides a simple one-wire hook-up.

KICKER also offers marine accessories that make the KRC12 even more convenient, like a 25-foot extension cable (KRCEXT25) making control easy from the far corners of a boat. Also, a Y-cable splitter (KRCY1) lets you add multiple remotes to install around your boat.

KRCY1 Y-Cable Splitter lets you add multiple remotes around your boat.



KRC12



KRC55 DIGITAL REMOTE

For use only with the KICKER KMC5 Premium Media Center, the KRC55 is a must-add to put you in the driver's seat from anywhere you want to mount it.

Whether you're topside or in the cabin of your boat, or even in back of your UTV, this flexible remote lets you instantly change the KMC5's source, volume, track and favorites from a bright two-line LCD display. Use the KICKER KRCEXT25 Extension Cable to connect directly to your KMC5, and connect multiple KRC55s to it with a KICKER KRCY1 Y-Adapter.

(KRCEXT25 and KRCY1 sold separately)

KRCEXT25 provides 25 feet of cable from the source to reach the farthest corners of your boat.



KRC55



MEMBER OF



National Marine Manufacturers Association



MARINE ACCESSORIES

KICKER Real Marine believes that in-house engineering by boat owners, for boat owners, results in wire and accessories that will thrive in fresh or salt water for years to come. KICKER Marine Power and Signal Accessories are a complete wiring solution, built to the highest standards in the marine industry. KICKER only designs and builds USCG (U.S. Coast Guard) and ABYC (American Boat and Yacht Council)-compliant Accessory products.

MARINE POWER WIRE

To ensure maximum power transfer and reliability, KICKER takes pure, full-spec OFC copper wire is tinned to prevent corrosion. Compliant with Coast Guard and ABYC standards, the power cable features soft, flexible jacketing that makes installation easy, even when running cable around corners.



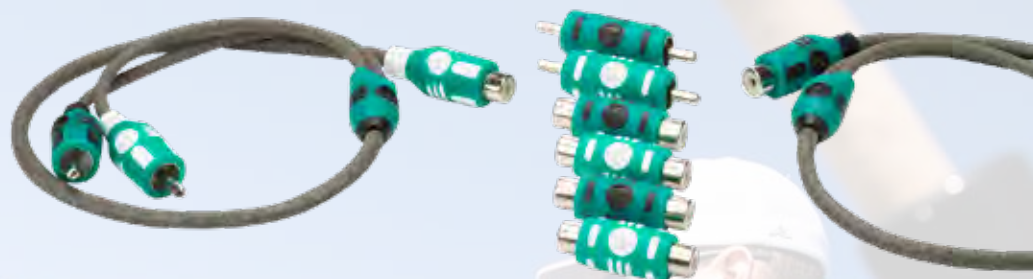
MARINE SPEAKER WIRE

Engineered to withstand the toughest marine environments, the KMWRGB150 is a purpose-built wire made to connect both your speaker and LED lights, using OFC 16 AWG wire for the speaker and 18 AWG for the RGB connections, and is nickel-tinned to resist corrosion. The large 18 AWG RGB wire aids in preventing voltage sag and meets USCG standards for wiring in new boats. KICKER Marine speaker wire also comes in a single pair 16 AWG option, made to the same stringent specs as the speaker/RGB cable.



MARINE INTERCONNECTS

KICKER Marine Interconnects are purpose-made for life on the water. The RCA cables feature split-pin connections and OFC wire for superior bass response and signal clarity. The PVC jacketing is extended to completely cover the ground ring, providing a superior seal between the elements and your amplifier. All marine RCA cables feature an ultra-slim union for snag-free cable routing in tight places.



MARINE POWER DISTRIBUTION

When it comes to powering your boat's amplifiers, keeping your cabling safe means keeping your passengers safe. KICKER is the only 12-volt aftermarket brand to offer a power distribution system that meets Coast Guard and ABYC standards, and is so safe it can be used in new boat construction. KICKER's MRBF fuses also meet SAE-J1171 standards for ignition protection, and are IP66 rated.



MARINE POWER KITS

Get all the power you need in this convenient marine amp kit. Available in 4 and 8 AWG options, the kits come complete with fuse, fuse holder, power and ground cabling, plus remote wire.



MEMBER OF



National Marine Manufacturers Association

AMP SPECIFICATIONS

KXMA-SERIES

MODEL [at 14.4V]:	KXMA400.2	KXMA1200.2	KXMA500.4	KXMA800.8	KXMA900.5	KXMA800.4
POWER [watts/ch], 2 OHM STEREO	200 x 2	600 x 2	125 x 4	100 x 8	125 x 4	200 x 4
POWER [watts/ch], 4 OHM BRIDGED MONO:	400 x 1	N/A	250 x 2	200 x 4	250 x 2	400 x 2
POWER [watts/ch], CLASS D 1 OHM MONO:	N/A	N/A	N/A	N/A	400 x 1, +/-10%	N/A
DYNAMIC POWER [watts]:	500	1500	700	1200	1300	1100
COMES WITH WIRED REMOTE:	No	No	No	No	Yes	No
DIMS [in] all models 2-1/8H x 8-5/16W x ...L	9-9/16	11-3/16	11-3/16	14-3/4	12-3/4	11-9/16
DIMS [cm] all models 5.4H x 21.0W x ...L	24.4	28.4	28.4	37.4	32.4	29.4
FREQUENCY RESPONSE [Hz]:	10-20k, +/-1dB	10-20k, +/-1dB	10-20k, +/-1dB	10-20k, +/-1dB	(amp 1&2) 10-20k, +/-1dB; (mono) 10-160	10-20k, +/-1dB
INPUT SENSITIVITY:	High Level 250mV-10V, Low Level 125mV-5V	High Level 250mV-10V, Low Level 125mV-5V	High Level 250mV-10V, Low Level 125mV-5V	High Level 250mV-10V, Low Level 125mV-5V	High Level 250mV-10V, Low Level 125mV-5V	High Level 250mV-10V, Low Level 125mV-5V
SIGNAL-TO-NOISE RATIO:	>95dB, a-weighted, re: rated power	>95dB, a-weighted, re: rated power	>95dB, a-weighted, re: rated power	>95dB, a-weighted, re: rated power	>95dB, a-weighted, re: rated power	>95dB, a-weighted, re: rated power
ACTIVE CROSSOVER:	24dB/octave, Off/variable high pass 10-500Hz, variable low pass 40-500Hz (400-5kHz w/ 10x switch), band pass capable	24dB/octave, Off/variable high pass 10-500Hz, variable low pass 40-500Hz (400-5kHz w/ 10x switch), band pass capable	(amp 1) 24dB/octave, variable 10-5kHz w/ 10x switch, selectable high pass, low pass or all pass; (amp 2) 24dB/octave, variable high pass 10-500Hz, variable low pass 40- 5kHz w/10x switch, selectable high pass, low pass, all pass or band pass	(amp 1 and amp 2) 24dB/octave, Off/ HP/LP, variable 10-5kHz w/ 10x switch; (amp 3 and amp 4) 24dB/octave, Off/ HP/LP/BP, variable HP 10-500Hz; vari- able LP; 40-5kHz w/ 10x switch	Full-Range - (amp 1) 24dB/octave, variable 10- 5kHz w/ 10x switch, selectable high pass, low pass or all pass; (amp 2) 24dB/octave, variable high pass 10-500Hz, variable low pass 40-5kHz w/ 10x switch, selectable high pass, low pass, all pass or band pass; Sub Ch. - 24dB/octave, variable 40-160Hz low pass only	(amp 1) 24dB/octave, variable 10- 5kHz w/ 10x switch, selectable high pass, low pass or all pass; (amp 2) 24dB/octave, variable high pass 10-500Hz, variable low pass 40-5kHz w/10x switch, selectable high pass, low pass, all pass or band pass
SUBSONIC FILTER [KXMA.5]:	N/A	N/A	N/A	N/A	(mono only) high-pass variable 10-80Hz	N/A
KickEQ BOOST:	Variable 0-6dB, centered @ 40Hz	Variable 0-6dB, centered @ 40Hz	Variable 0-6dB, centered @ 40Hz (amps 1 and 2)	Variable 0-6dB, centered @ 40Hz (amps 1, 2, 3 and 4)	(mono only) Variable 0-6dB, centered 40Hz	Variable 0-6dB, centered @ 40Hz (amps 1 and 2)

KMA-SERIES

MODEL [at 14.4V]:	KMA150.2	KMA360.4	KMA600.6	KMA800.1	KMA600.4
POWER [watts/ch], 2 OHM STEREO	75 x 2	90 x 4	100 x 6	N/A	150 x 4
POWER [watts/ch], 4 OHM BRIDGED MONO:	150 x 1	180 x 2	200 x 3	N/A	300 x 2
POWER [watts/ch], 1 OHM MONO:	N/A	N/A	N/A	800 x 1	N/A
DYNAMIC POWER [watts]	190	500	750	1200	725
COMES WITH WIRED REMOTE:	No	No	No	Yes	No
DIMS [in] all models 2-5/16H x 7-1/8W x ...L	8-1/16	12-7/16	13-15/16	8-1/16	12-7/16
DIMS [cm] all models 5.9H x 18.0W x ...L	20.4	31.5	35.3	20.5	31.5
FREQUENCY RESPONSE [Hz]:	10-20k, +/-1dB	10-20k, +/-1dB	10-20k, +/-1dB	25-200, +/-3dB	10-20k, +/-1dB
INPUT SENSITIVITY:	High Level 250mV-10V, Low Level 125mV-5V	High Level 250mV-10V, Low Level 125mV-5V	High Level 250mV-101V, Low Level 125mV-5V	High Level 250mV-10V, Low Level 125mV-5V	High Level 250mV-10V, Low Level 125mV-5V
SIGNAL-TO-NOISE RATIO:	>95dB, a-weighted, re: rated power	>95dB, a-weighted, re: rated power	>95dB, a-weighted, re: rated power	>95dB, a-weighted, re: rated power	>95dB, a-weighted, re: rated power
ACTIVE CROSSOVER:	12dB/octave, variable 50-200Hz, selectable high pass, low pass or all pass	12dB/octave, variable 50-200Hz, selectable high pass, low pass or all pass	(amp 1 and amp 2) 12dB/octave, variable 0-200Hz, HP only; (amp 3) 12dB/octave, variable 50-200Hz, Off/HP/LP	12dB/octave, variable 50-200Hz, low pass only	12dB/octave, variable 50-200Hz, selectable high pass, low pass or all pass
SUBSONIC FILTER	N/A	N/A	(amp 3 only) 24dB/octave, high pass fixed @ 25Hz	24dB/octave high pass fixed @ 25Hz	N/A
KickEQ™ BOOST	Variable 0-6dB, centered @ 40Hz	Variable 0-6dB, centered @ 40Hz	(amp 3 only) Variable 0-6dB, centered @ 40Hz	Variable 0-6dB, centered @ 40Hz	Variable 0-6dB, centered @ 40Hz

RMS Power test @ 14.4v @ </- 1% THD+N, Audio Precision® APx500 analyzer, see "www.kicker.com/amp-power-testing" for details.

Dynamic Power test @ 14.4v @ </- 10% THD+N, Audio Precision APx500 analyzer, see "www.kicker.com/amp-power-testing" for details.

Audio Precision is a registered trademark of Audio Precision in the United States and other countries.

