

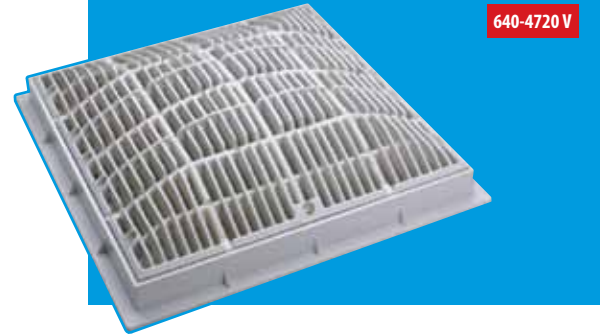


**12" x 12" Grate and Frame**

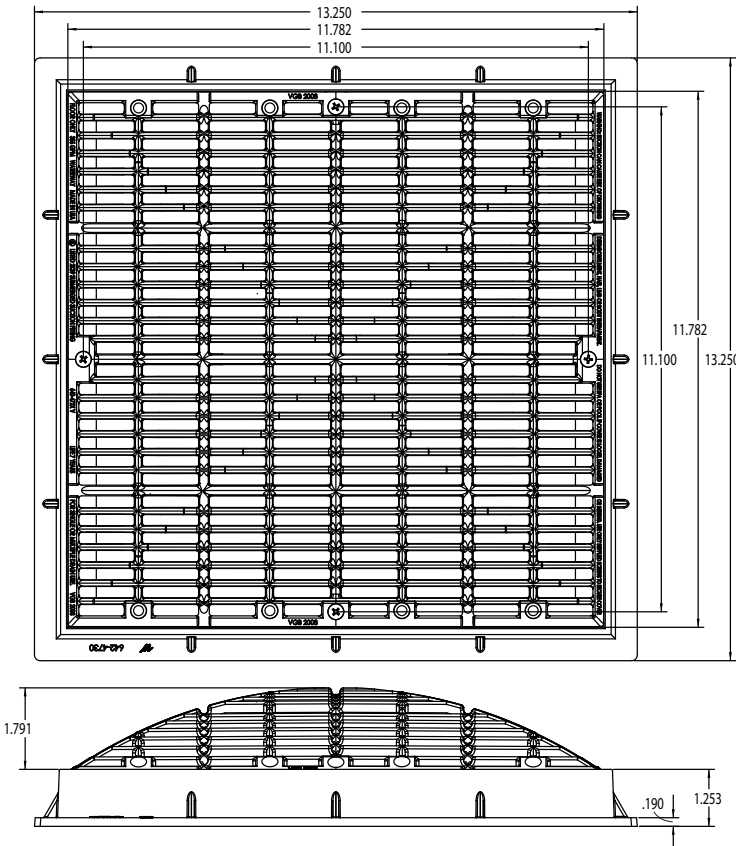
Waterway grates and frames are compliant with the Virginia Graeme-Baker Pool and Spa Safety Act (ASME/ANSI A112.19.8-2007) and are UL Certified. They are designed for single or multiple drain use. This grate assembly includes frame and stainless steel screws. Packed 6 per case.

The Waterway 640-472x V series grates and frames are available in:

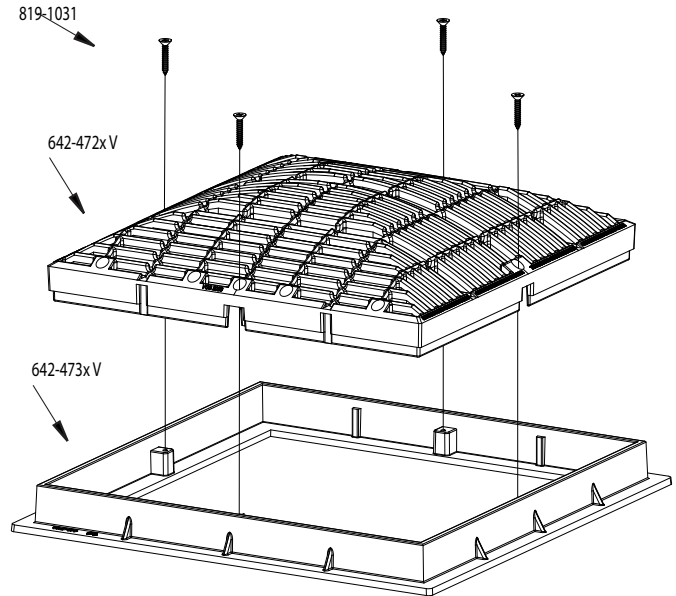
- ☐ White
- Black
- Gray
- Dark Gray
- Beige



Model No.	Description	Size	Total Open Area Square Inches	Floor Flow Rate GPM	Wall Flow Rate GPM	Flow Rate GPM @ 1.5 ft/sec
640-472x V	Grate	12" x 12"	62.4	356 @ 1.83 ft/sec	280 @ 1.44 ft/sec	292



Part No.	Description
819-1031	#8 x 1 Stainless Steel Screw
642-472x V	12" x 12" Pool Grate
642-473x	12" x 12" Grate Frame



Opening between ribs  
 .266

