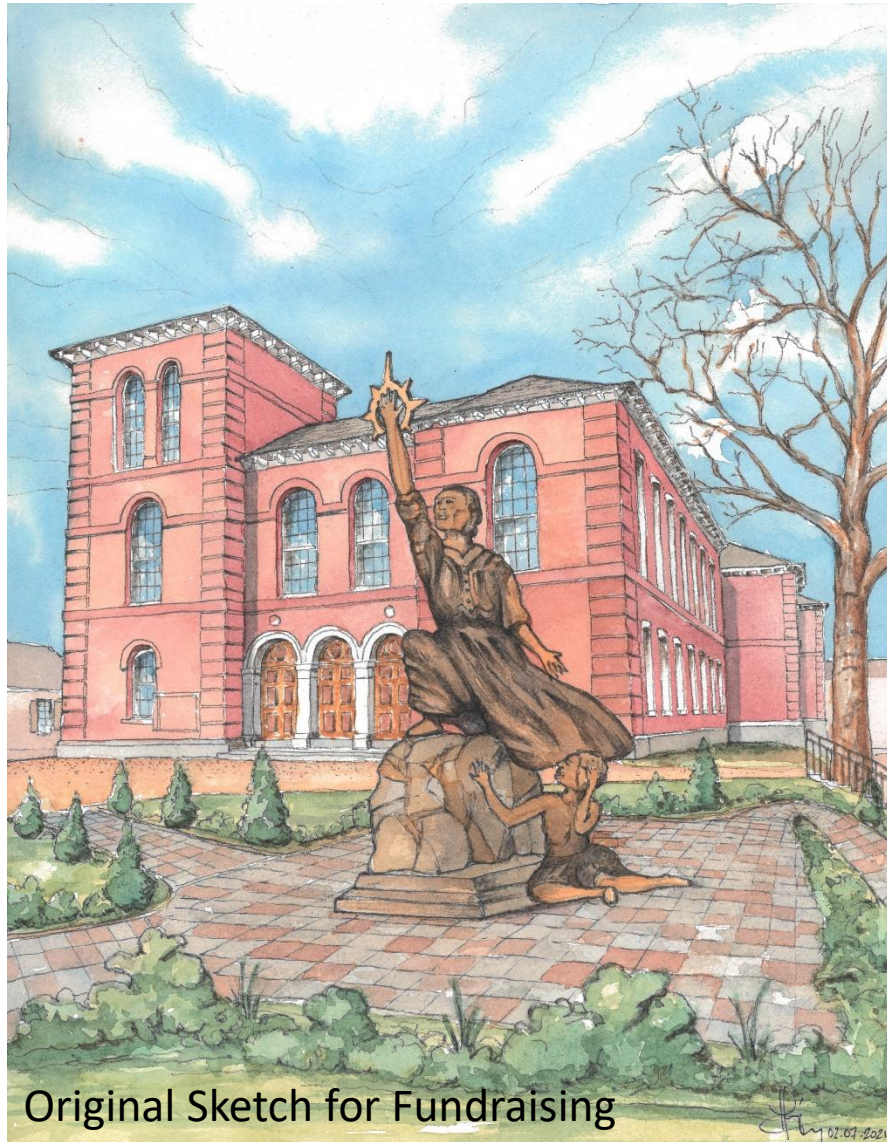


# Welcoming Harriet Tubman's Statue in Cambridge

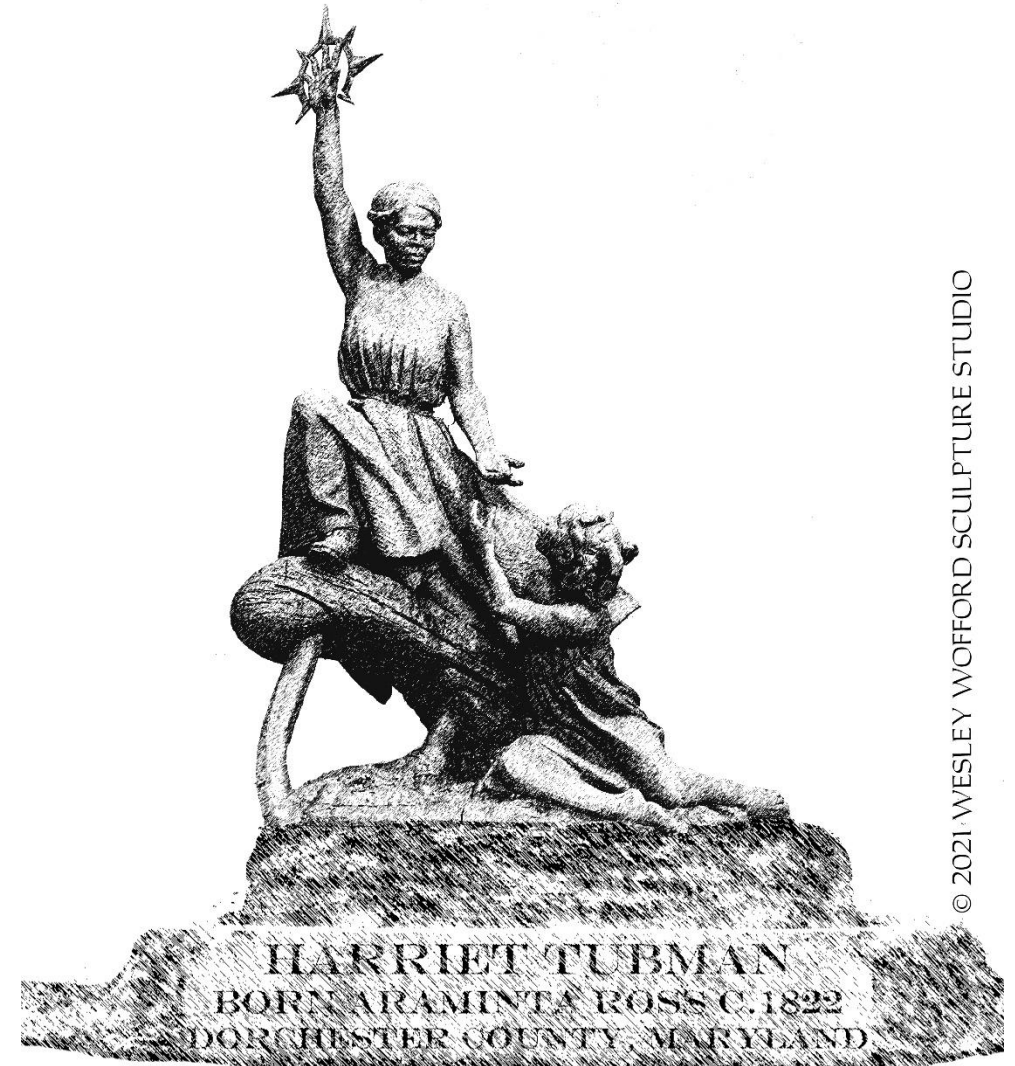
- **Front of the Courthouse = a historic and symbolic location**



# Welcoming Harriet Tubman's Statue in Cambridge



Original Sketch for Fundraising

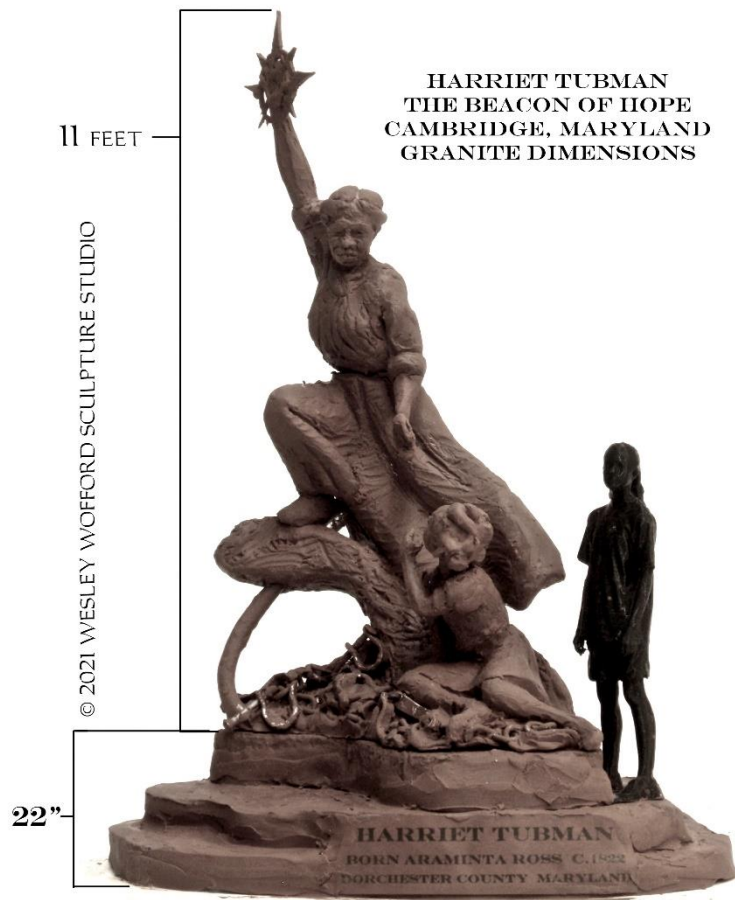


© 2021 WESLEY WOFFORD SCULPTURE STUDIO

# Welcoming Harriet Tubman's Statue in Cambridge

## Harriet Tubman – The Beacon of Hope

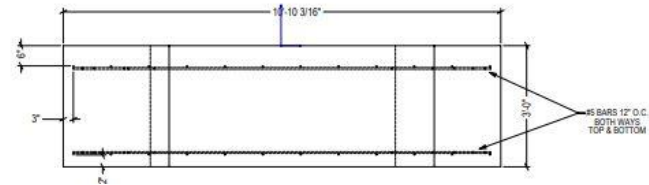
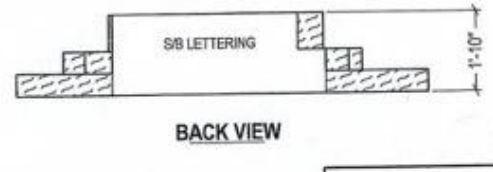
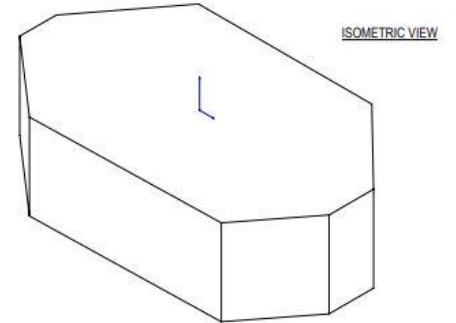
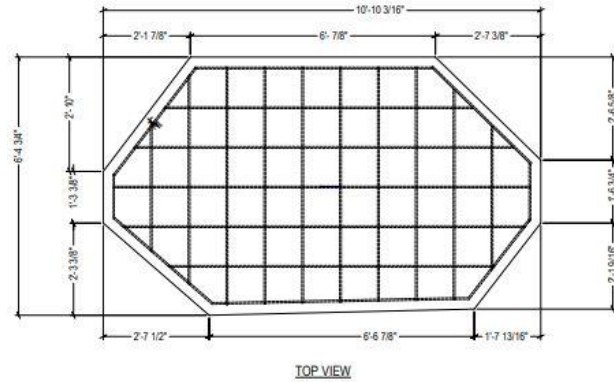
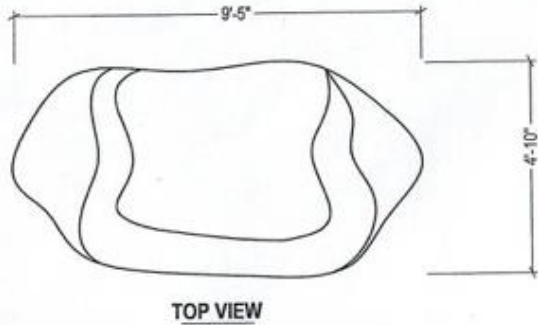
Maquettes studies with statue and step-up base – Harriet is accessible to the public



# Welcoming Harriet Tubman's Statue in Cambridge

- Granite base

- Concrete Foundation

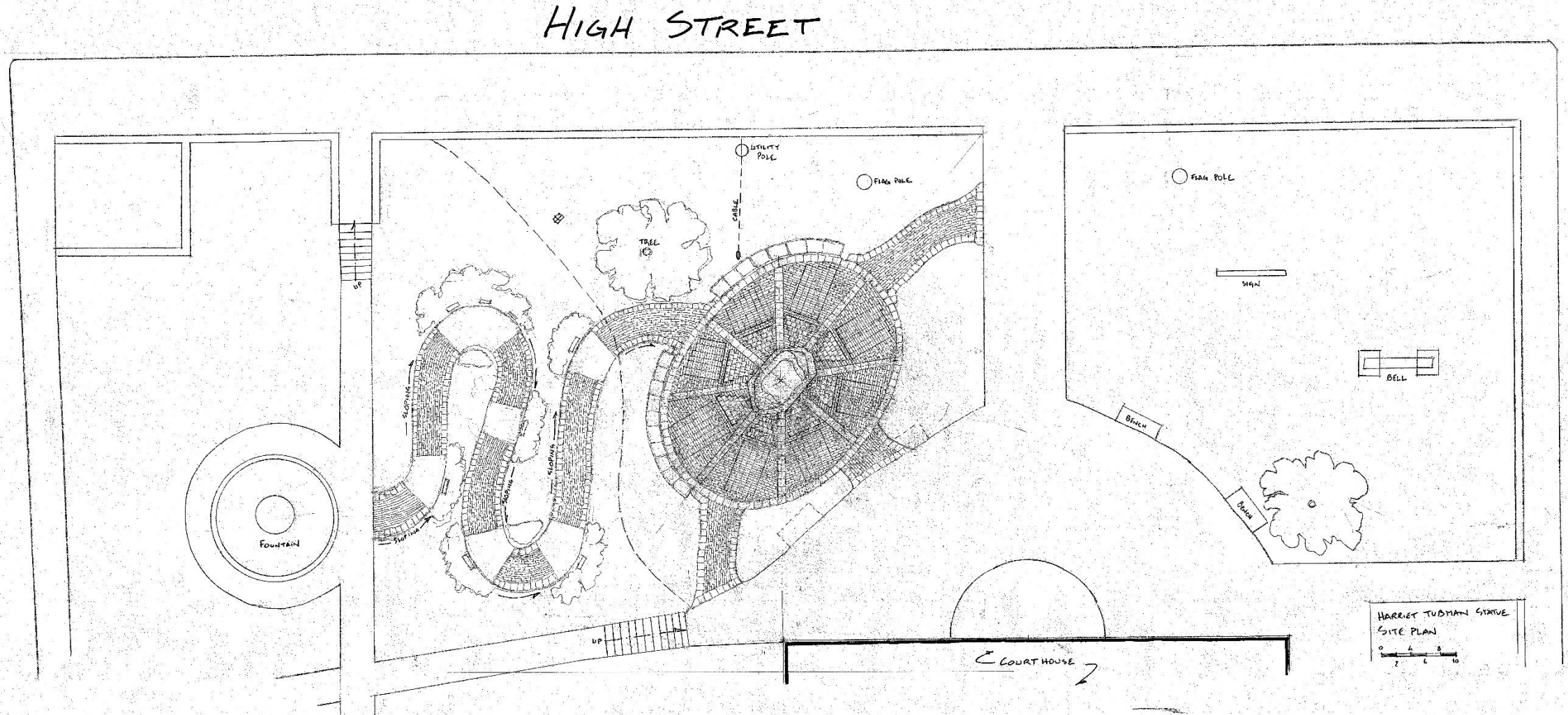


## FOUNDATION NOTES:

- FOUNDATION TO BE 3'-0" DEEP.
- CONCRETE SHALL BE STONE CONCRETE HAVING A MINIMUM COMPRESSIVE STRENGTH OF 3000 PSI.
- ALL RE-BAR SHALL BE DEFORMED BARS OF INTERMEDIATE GRADE NEW BILLET STEEL CONFORMING TO REQUIREMENT OF ASTM SPEC A615 (GRADE 60).
- CONCRETE COVER AROUND RE-BAR, 3" WHEN CAST AGAINST SOIL, 2" ALL OTHERS.
- FOUNDATION TO BEAR ON UNDISTURBED SOIL OR COMPACTED FILL ABLE TO SUPPORT A SUPERIMPOSED LOAD OF 2000 LBS/FT<sup>2</sup>.
- BACKFILL MATERIAL SHALL BE PLACED IN LAYERS OF 6" OR LESS LOOSE DEPTH AND COMPACTED TO 95% OF MAX DENSITY AS SPEC. BY ASTM TEST METHOD D1557.
- ALL CONCRETE SHALL CONFORM TO THE BUILDING CODE REQUIREMENTS FOR REINFORCED CONCRETE OF THE AMERICAN CONCRETE INSTITUTE (ACI 318-08) AND LOCAL BUILDING CODES. ALL CONCRETE WORK SHALL BE AS SPEC. AND RECOMMENDED BY ACI FIELD MANUAL SP-15.
- PARGE SURFACE OF FOUNDATION WITH CEMENT MORTAR PRIOR TO SETTING MAUSOLEUM TO ENSURE GRANITE BEARS EVENLY ON FOUNDATION. TOP OF FOUNDATION MUST BE SMOOTH LEVEL WITH NO PROTRUDING STONES OR AGGREGATE. "FAILURE" TO PROPERLY PARGE FOUNDATION WILL VOID THE ROCK OF AGES WARRANTY.
- THIS FOUNDATION IS TYPICAL OF DESIGNS USED PREVIOUSLY FOR THIS TYPE OF UNIT. AS SITE CONDITIONS AND LOCAL CODES VARY, THIS DESIGN AND SITE CONDITIONS SHOULD BE REVIEWED AND APPROVED BY A LOCAL ENGINEER.

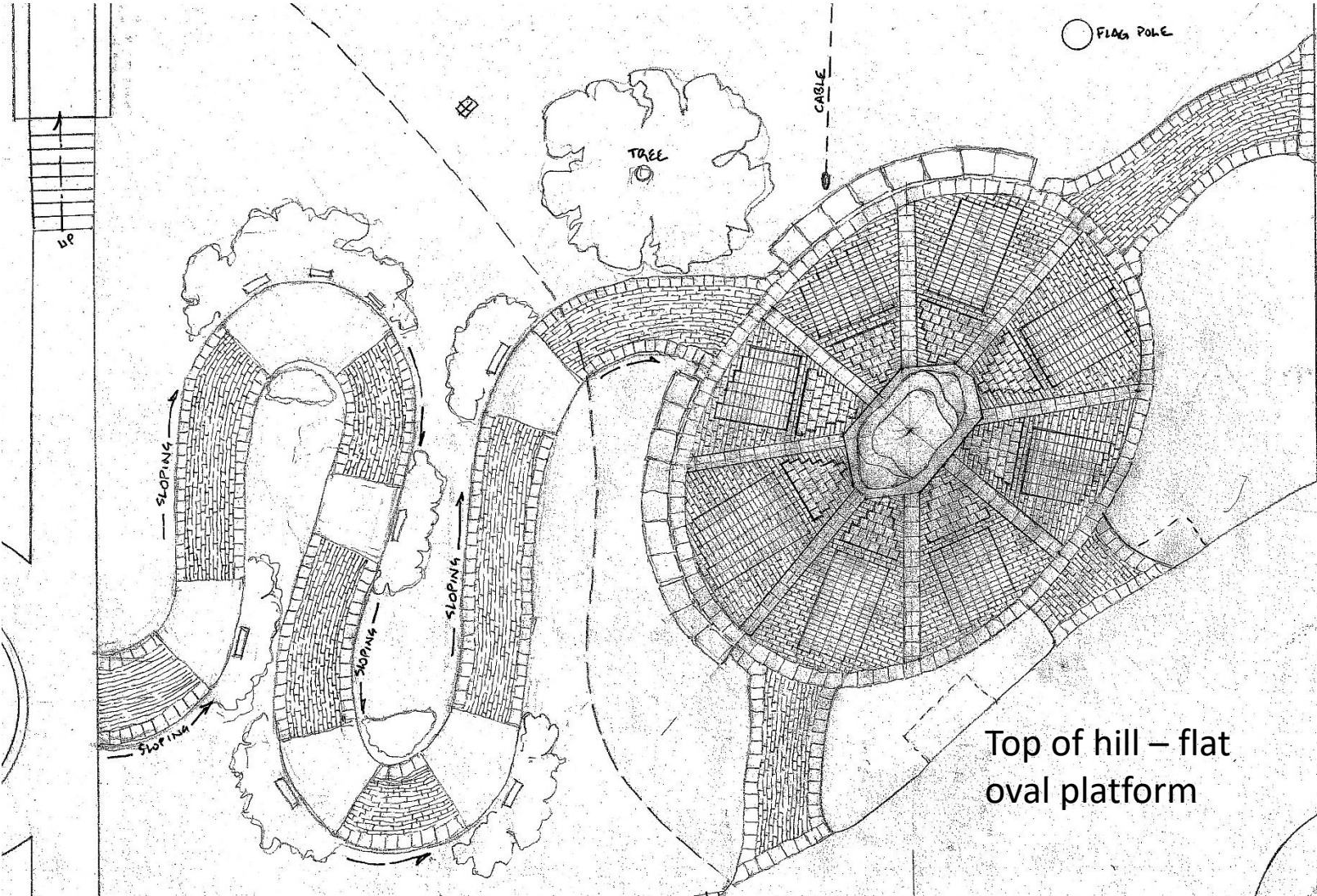
# Welcoming Harriet Tubman's Statue in Cambridge

- Overall Site Plan



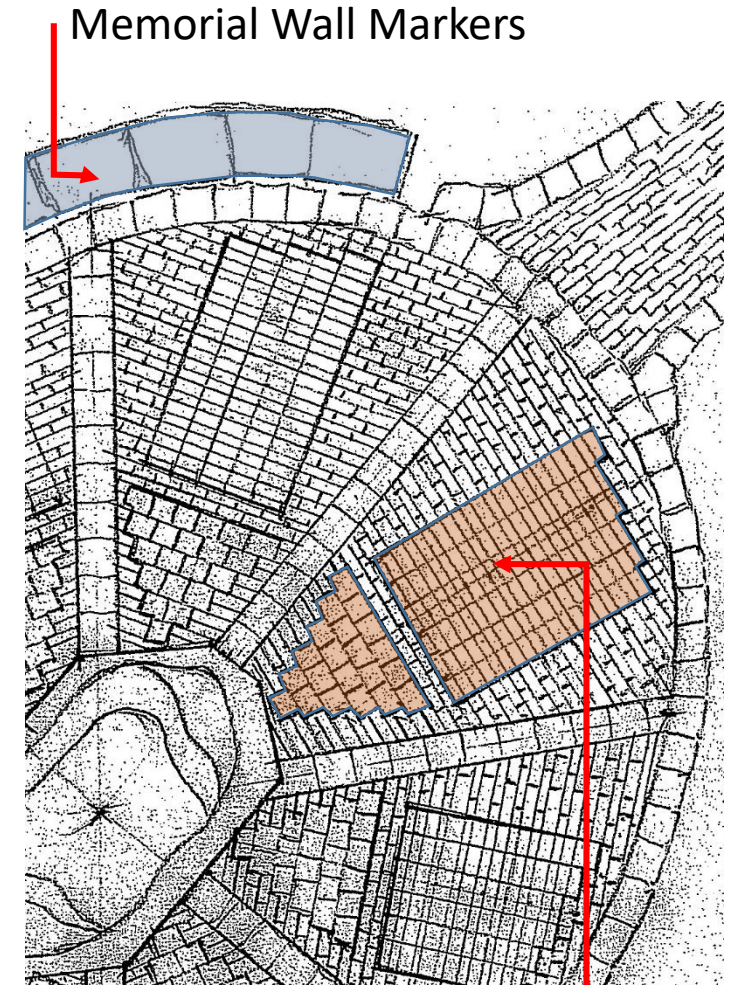
# Welcoming Harriet Tubman's Statue in Cambridge

- Site Layout



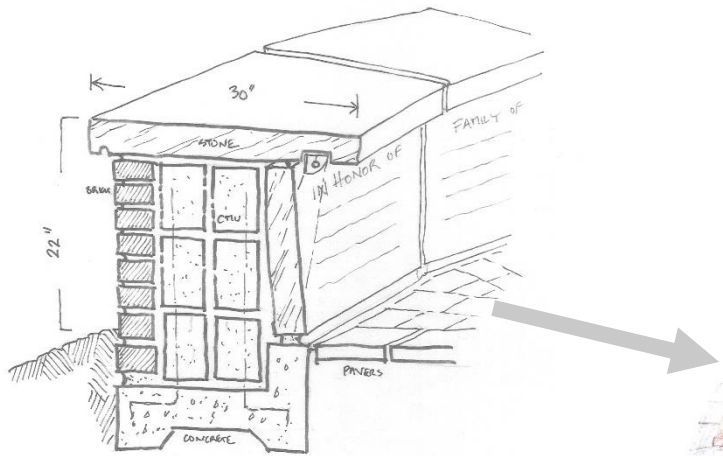
Top of hill – flat oval platform

Meandering path – up hill at ADA slope



Donors Opportunity - Engraved Bricks

# Welcoming Harriet Tubman's Statue in Cambridge



Memorial Wall Markers



Statue with granite base and brick pattern

# Welcoming Harriet Tubman's Statue in Cambridge

People can journey up the hill to the statue – A meandering path through Harriet's milestones and achievements  
A Healing Garden marks the stages of Harriet's life along the way



Meandering Path