
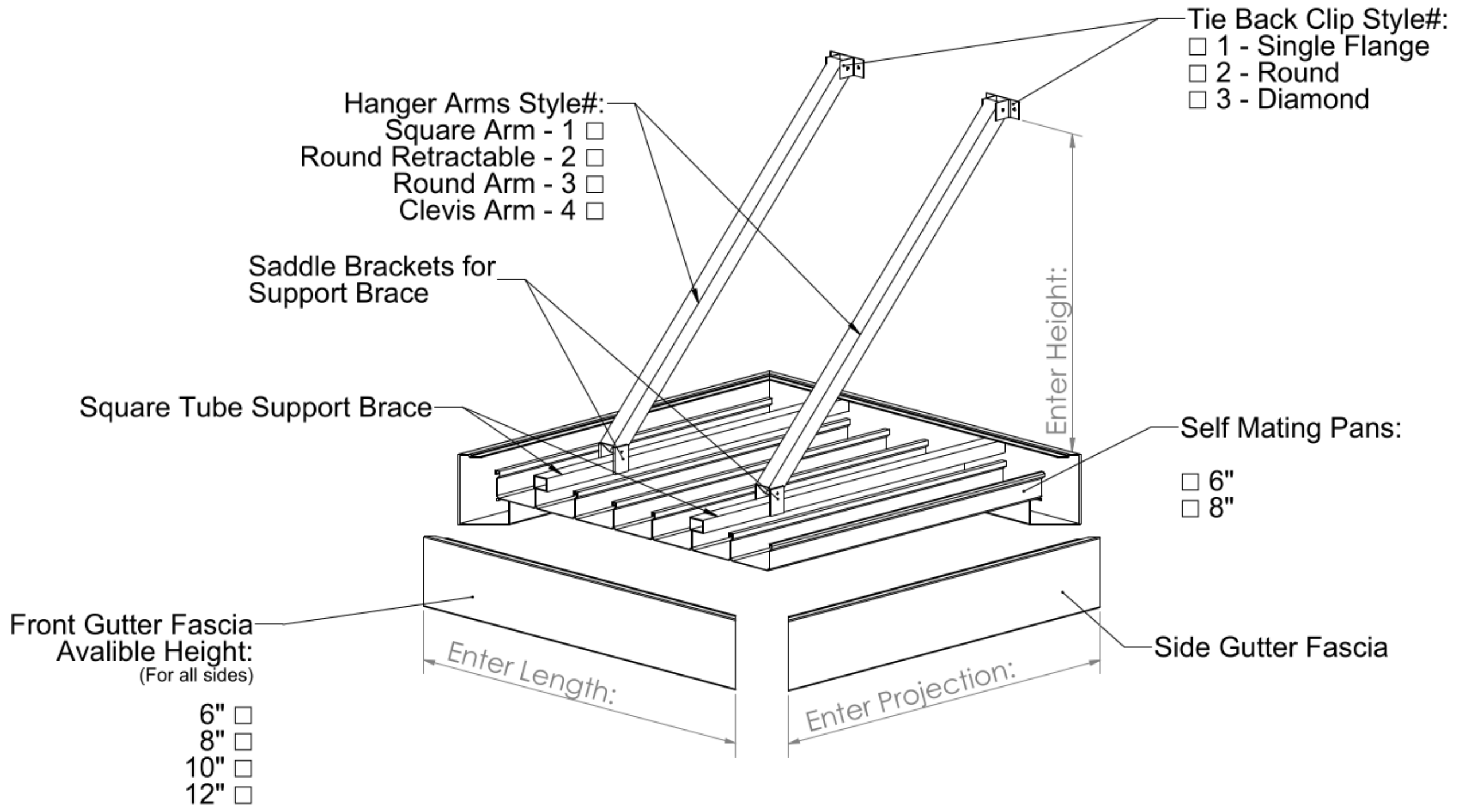


Job Name:				Order Form		 METAL AWNINGS Sales@MetalAwnings.com (813) 249-0059
Customer Name:		Phone Number:		Email:		
Address:						
Shipping Address:						Quantity:

G-Gutter Canopy



Review structural drawing with a local Architect, Engineer, your Customer, and the local Political Subdivision Building Departments(s) to be certain that these products meet suitability fitness and legal building code compliance. WholesaleAwnings.com and Supply Bright makes no representation, either express or implied, that these drawings and our fabrication meet your local building codes.		RAL Code:	
Special Instructions:		Other:	