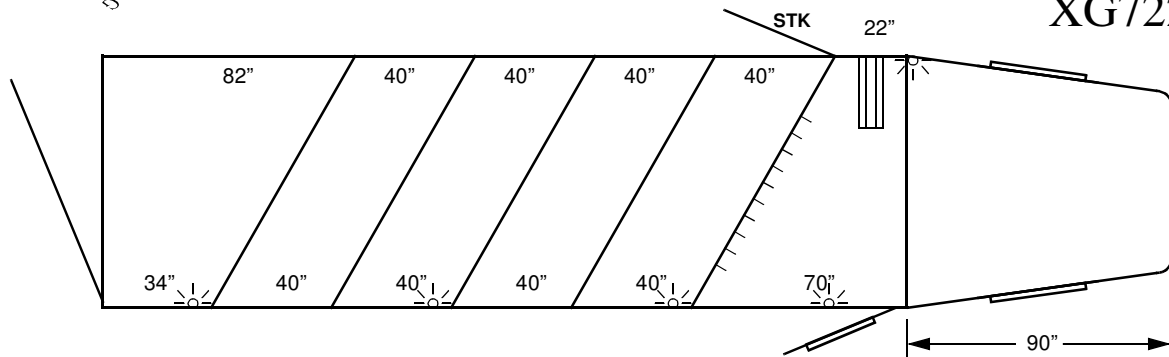




**PLATINUM
MANUFACTURING**

5-H STOCK-COMBO GOOSENECK PLATINUM SERIES 7' X 22' X 7' XG7225C



TOWING

2 5/16" ADJUSTABLE COUPLER (25,000# RATING)
SAFETY CHAINS WITH SAFETY HOOK LATCHES
7-WAY FLAT PRONG PLUG & CABLE
BREAK-AWAY KIT
DROP LEG JACK

STANDARD FEATURES

TAPERED NECK FROM 7' TO 5' WITH WINDOWS
PERMANENT SLANT BULKHEAD WALL
FLAT TREAD PLATE FLOOR
FULL WIDTH REAR STOCK DOOR WITH TWO AIR CRACKS AT TOP (NO SLIDER)
DRESSING ROOM DOOR (LINE) WITH WINDOW AND CAMPER LATCH WITH DEAD BOLT
ESCAPE DOOR, (STANDARD STOCK TYPE) AT BULKHEAD, STREETSIDE WITH BUTTERFLY LATCH
SINGLE SIDE WALL CONSTRUCTION, WITH TWO AIR CRACKS AT TOP IN HORSE COMPARTMENT AND
SMOOTH SKIN AT TOP IN DRESSING ROOM AREA

BULKHEAD WALL AND FENDER WELLS ARE RUBBER LINED
DIVIDERS WITH STAINLESS STEEL SLAM LATCHES
INSIDE TIES (TWO PER HORSE)
OUTSIDE TIES (TWO PER HORSE)
SADDLE RACKS (ONE PER HORSE)
TEN BRIDLE HOOKS
PADDING IN HORSE COMPT. ON BULKHEAD WALL AND EACH SIDE OF DIVIDERS
PADDED BREAST BAR AT FIRST HORSE
CARPET ON SADDLE RACKS
CARPET ON BED, DROP AND FLOOR OF DRESSING ROOM AREA
FLOOR MATS COVERING ENTIRE HORSE COMPARTMENT
TAPER INNER WHEEL WELLS UP & TEAR DROP FENDERS
FULL WIDTH RUBBER DOCK BUMPER
FIVE INTERIOR L.E.D. LIGHTS
TWO PAIRS OF FULLY ENCLOSED L.E.D. TAIL LIGHTS
D.O.T. APPROVED L.E.D. RUNNING LIGHTS AND D.O.T. APPROVED REFLECTIVE TAPE

WHEELS & TIRES

FIVE 16 X 6 STEEL WHEELS
FIVE 235/85R16 10-PLY RADIAL TIRES
FOUR HUB CAPS (BABY MOONS)
SPARE TIRE CARRIER

AXLES

102" WIDE RUBBER TORSION
7000# 8-BOLT ELECTRIC BRAKES

