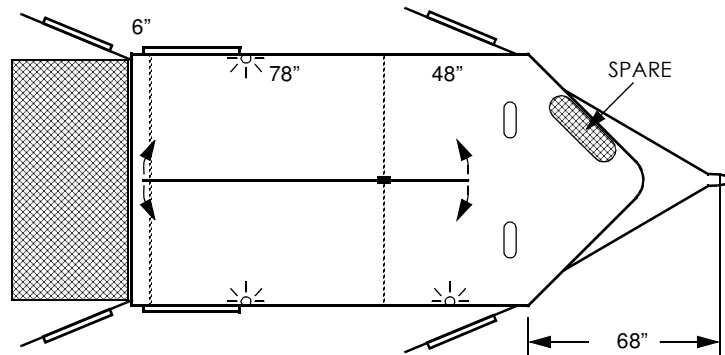




PLATINUM 2-H THOROUGHbred BUMPER PULL MANUFACTURING PLATINUM SERIES 6' X 11' X 7' XB6112S



TOWING

2 5/16" BULLDOG COUPLER (12,500# RATING)
SAFETY CHAINS WITH SAFETY HOOK LATCHES
7-WAY FLAT PRONG PLUG & CABLE
A-FRAME JACK WITH REMOVABLE CASTER
BREAK-AWAY KIT

AXLES

96" WIDE RUBBER TORSION
3500# 5-BOLT ELECTRIC BRAKES

WHEELS & TIRES

FIVE 15 X 6 STEEL WHEELS
FIVE 225/75R15 6-PLY RADIAL TIRES
FOUR STAINLESS STEEL SIMULATORS
SPARE TIRE CARRIER

STANDARD FEATURES

WEDGE NOSE

FULL WIDTH REAR RAMP WITH DUTCH DOORS ABOVE WITH WINDOWS

WALK THRU DOORS WITH WINDOW, CAMPER LATCH & BUTTERFLY LATCH (ONE EACH SIDE)

ALL DOORS ARE INSULATED AND LINED ON INSIDE OF TRAILER

BUS WINDOWS W/ BARS IN HORSE COMPARTMENT (ONE EACH SIDE)

SIDE WALLS IN HORSE COMPARTMENT ARE DOUBLE WALLED AND INSULATED

ALL WALLS IN HORSE COMPARTMENT ARE RUBBER LINED

REMOVABLE DIVIDER WITH WITHERS SHIELD & SWINGING HEAD SHIELD PINNED TO REMOVABLE POST AT FRONT OF TRAILER

FEED BAGS (ONE PER HORSE)

2-WAY ROOF VENTS (ONE PER HORSE)

INSIDE TIES (TWO PER HORSE)

OUTSIDE TIES (TWO PER HORSE)

PADDING IN HORSE COMPT. ON STALL SIDE WALLS AND EACH SIDE OF DIVIDER

PADDED BUTT BAR AND BREAST BAR IN EACH STALL

FLOOR MATS COVERING ENTIRE HORSE COMPARTMENT

TAPER INNER WHEEL WELLS UP & TEAR DROP FENDERS

RUBBER DOCK BUMPERS

THREE INTERIOR L.E.D. LIGHTS

TWO PAIRS OF FULLY ENCLOSED L.E.D. TAIL LIGHTS

D.O.T. APPROVED L.E.D. RUNNING LIGHTS

CUSTOM GRAPHICS PACKAGE

