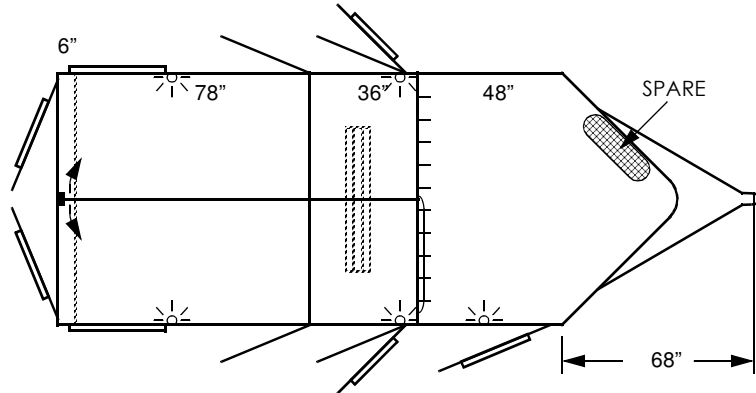




**PLATINUM
MANUFACTURING**

2-H STRAIGHT LOAD BUMPER PULL PLATINUM SERIES 6' X 14' X 7' XB6142S



TOWING

2 5/16" BULLDOG COUPLER (12,500# RATING)
SAFETY CHAINS WITH SAFETY HOOK LATCHES
7-WAY FLAT PRONG PLUG & CABLE
A-FRAME JACK WITH REMOVABLE CASTER
BREAK-AWAY KIT

AXLES

96" WIDE RUBBER TORSION
3500# 5-BOLT ELECTRIC BRAKES

WHEELS & TIRES

FIVE 15 X 6 STEEL WHEELS
FIVE 225/75R15 6-PLY RADIAL TIRES
FOUR STAINLESS STEEL SIMULATORS
SPARE TIRE CARRIER

STANDARD FEATURES

WEDGE NOSE
PERMANENT STRAIGHT BULKHEAD WALL
DOUBLE REAR DOORS WITH WINDOWS AND BUTTERFLY LATCH
DRESSING ROOM DOOR AT FRONT WITH WINDOW AND CAMPER LATCH WITH DEAD BOLT
SWING OUT FEED DOORS WITH WINDOW (ONE EACH SIDE)
ESCAPE DOORS (ONE EACH SIDE)
FEED MANGER @ HEAD OF EACH HORSE W/ 2 SADDLE COMPT. DOORS
ALL DOORS ARE INSULATED AND LINED ON INSIDE OF TRAILER
BUS WINDOWS W/ BARS IN HORSE COMPARTMENT (ONE EACH SIDE)
SIDE WALLS IN HORSE COMPARTMENT ARE DOUBLE WALLED AND INSULATED
ALL WALLS IN HORSE COMPARTMENT ARE RUBBER LINED
REMOVABLE DIVIDER WITH WITHERS SHIELD AND PERMANENT HEAD SHIELD
2-WAY ROOF VENTS (ONE PER HORSE)
INSIDE TIES (TWO PER HORSE) AND OUTSIDE TIES (TWO PER HORSE)
SADDLE RACKS (ONE PER HORSE)
TACK ACCESSORIES: TEN BRIDLE HOOKS, TWO BRUSH TRAYS AND ONE BLANKET BAR
PADDING IN HORSE COMPT. ON STALL SIDE WALLS, MANGER WALL AND EACH SIDE OF DIVIDER
PADDED BUTT BAR AND BREAST BAR IN EACH STALL
CARPET ON FLOOR OF DRESSING ROOM AREA
FLOOR MATS COVERING ENTIRE HORSE COMPARTMENT INCLUDING SADDLE COMPT.
TAPER INNER WHEEL WELLS UP & TEAR DROP FENDERS
FULL WIDTH RUBBER DOCK BUMPER
FIVE INTERIOR L.E.D. LIGHTS
TWO PAIRS OF FULLY ENCLOSED L.E.D. TAIL LIGHTS
D.O.T. APPROVED L.E.D. RUNNING LIGHTS

CUSTOM GRAPHICS PACKAGE

