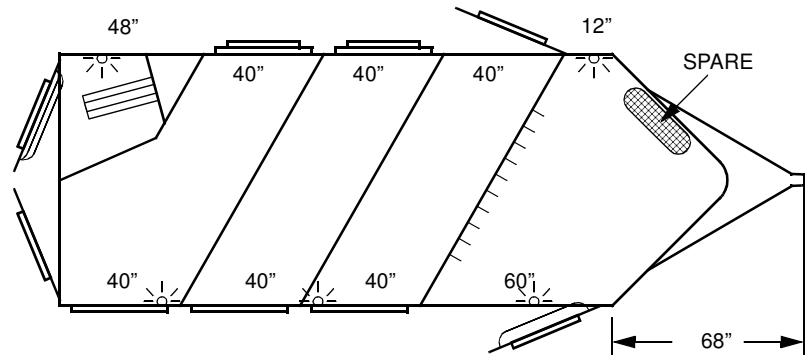




**PLATINUM  
MANUFACTURING**

## 3 HORSE SLANT BUMPER PULL PLATINUM SERIES 7' X 15' X 7' XB7153D



### TOWING

2 5/16" BULLDOG COUPLER (12,500# RATING)  
SAFETY CHAINS WITH SAFETY HOOK LATCHES  
7-WAY FLAT PRONG PLUG & CABLE  
A-FRAME JACK WITH REMOVABLE CASTER  
BREAK-AWAY KIT

### STANDARD FEATURES

WEDGE NOSE  
PERMANENT SLANT BULKHEAD WALL  
PERMANENT OFFSET REAR STORAGE WALL (REAR TACK)  
DOUBLE REAR DOORS WITH WINDOWS AND BUTTERFLY LATCH  
DRESSING ROOM DOOR AT FRONT WITH WINDOW AND CAMPER LATCH WITH DEAD BOLT  
WALK THRU DOOR AT FIRST STALL WITH WINDOW AND BUTTERFLY LATCH  
DROP DOWN FEED DOORS WITH WINDOWS AT HEAD OF EACH STALL  
ALL DOORS ARE INSULATED AND LINED ON INSIDE OF TRAILER  
BUS WINDOWS AT HIP OF EACH STALL  
SIDE WALLS IN HORSE COMPARTMENT ARE DOUBLE WALLED AND INSULATED  
ALL WALLS IN HORSE COMPARTMENT ARE RUBBER LINED  
DIVIDERS WITH STAINLESS STEEL SLAM LATCHES  
FEED BAGS (ONE PER HORSE)  
2-WAY ROOF VENTS (ONE PER HORSE)  
INSIDE TIES (TWO PER HORSE)  
OUTSIDE TIES (TWO PER HORSE)  
SADDLE RACKS (ONE PER HORSE)  
TACK ACCESSORIES: TEN BRIDLE HOOKS, TWO BRUSH TRAYS AND ONE BLANKET BAR  
PADDING IN HORSE COMPT. ON BULKHEAD WALL, REAR TACK WALL AND EACH SIDE OF DIVIDERS  
PADDED BUTT BAR AND PADDED BREAST BAR AT FIRST HORSE  
CARPET ALL TACK ACCESSORIES (EXCLUDING BRIDLE HOOKS)  
CARPET ON FLOOR OF DRESSING ROOM AREA  
FLOOR MATS COVERING ENTIRE HORSE COMPARTMENT INCLUDING REAR TACK  
TAPER INNER WHEEL WELLS UP & TEAR DROP FENDERS  
FULL WIDTH RUBBER DOCK BUMPER  
FIVE INTERIOR L.E.D. LIGHTS  
TWO PAIRS OF FULLY ENCLOSED L.E.D. TAIL LIGHTS  
D.O.T. APPROVED L.E.D. RUNNING LIGHTS AND D.O.T. APPROVED REFLECTIVE TAPE

### WHEELS & TIRES

FIVE 16 X 6 STEEL WHEELS  
FIVE 235/85R16 10-PLY RADIAL TIRES  
FOUR STAINLESS STEEL SIMULATORS  
SPARE TIRE CARRIER

### AXLES

102" WIDE RUBBER TORSION  
5200# 8-BOLT ELECTRIC BRAKES

CUSTOM GRAPHICS PACKAGE

