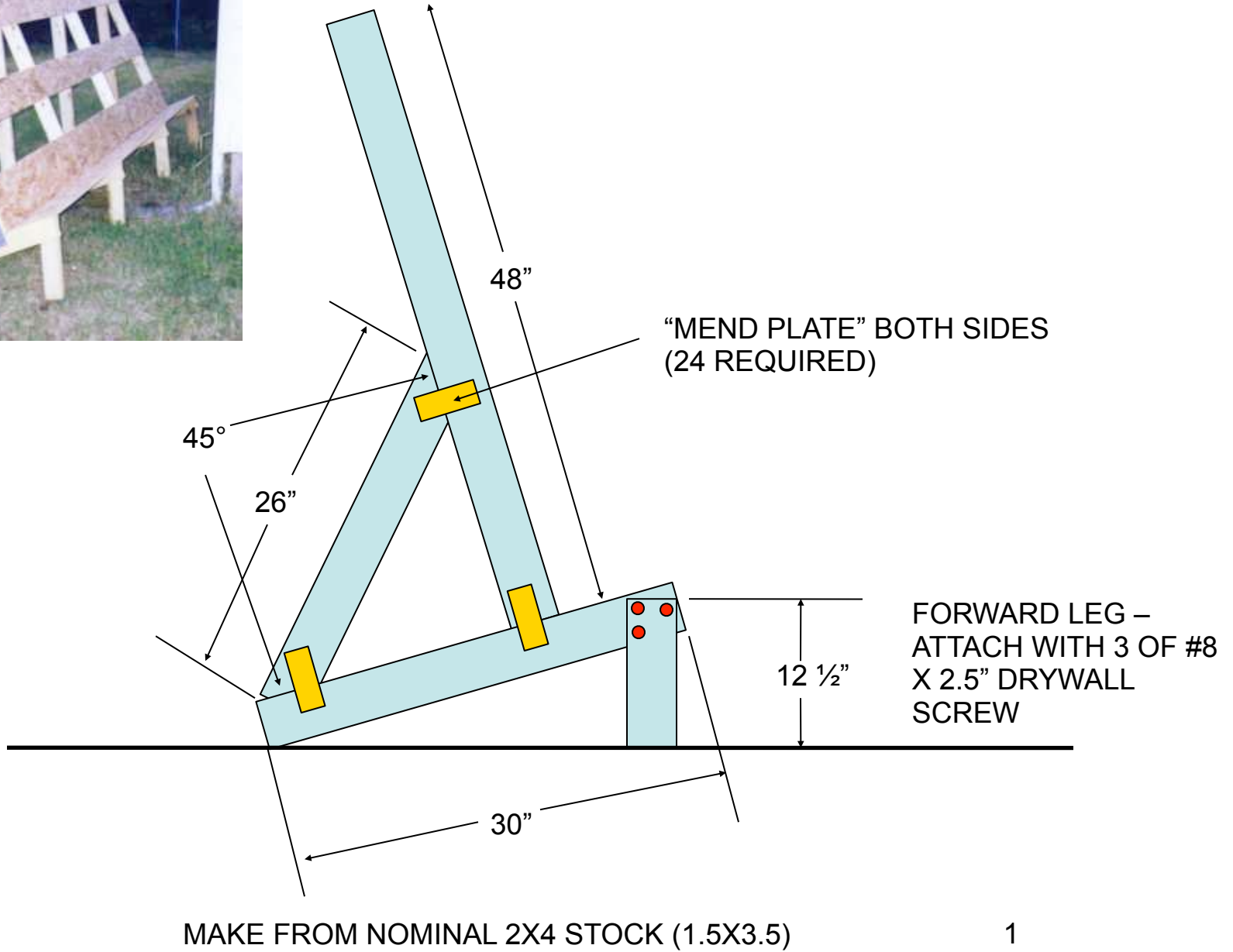
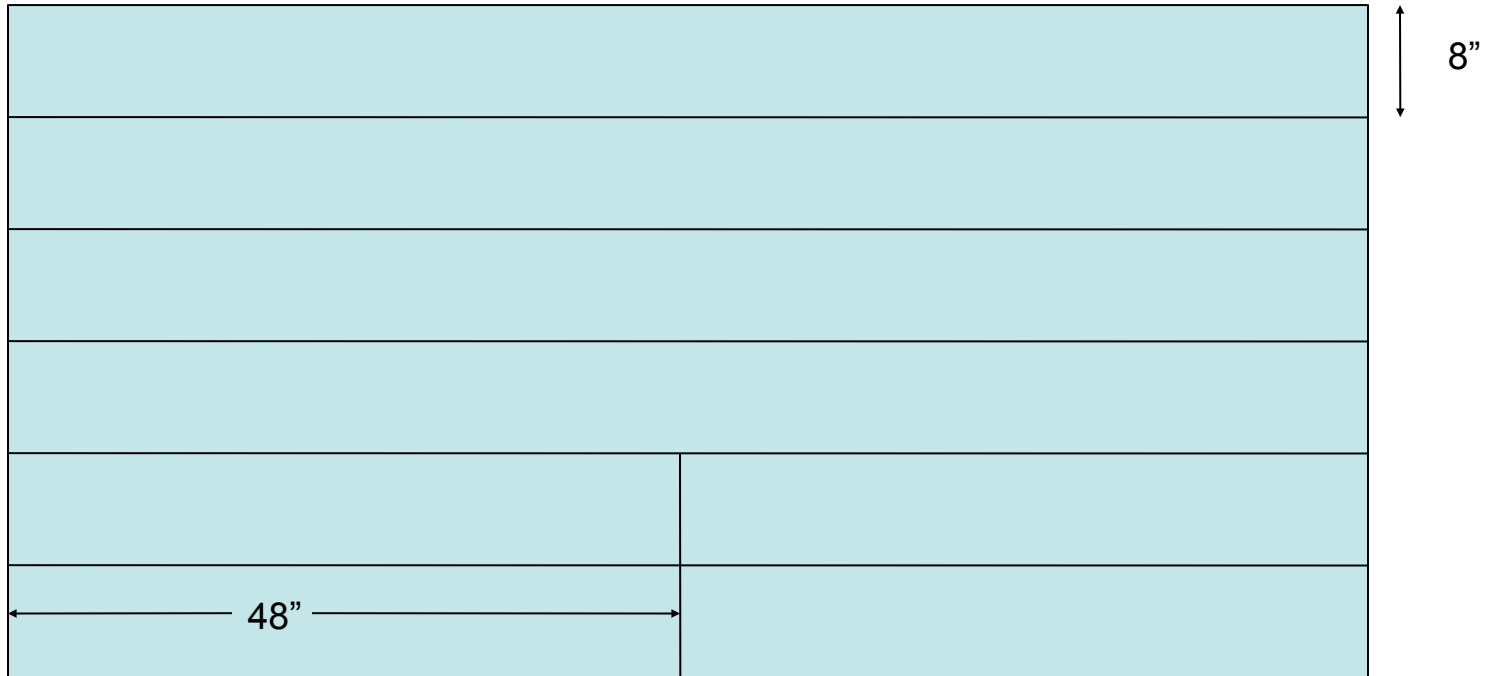


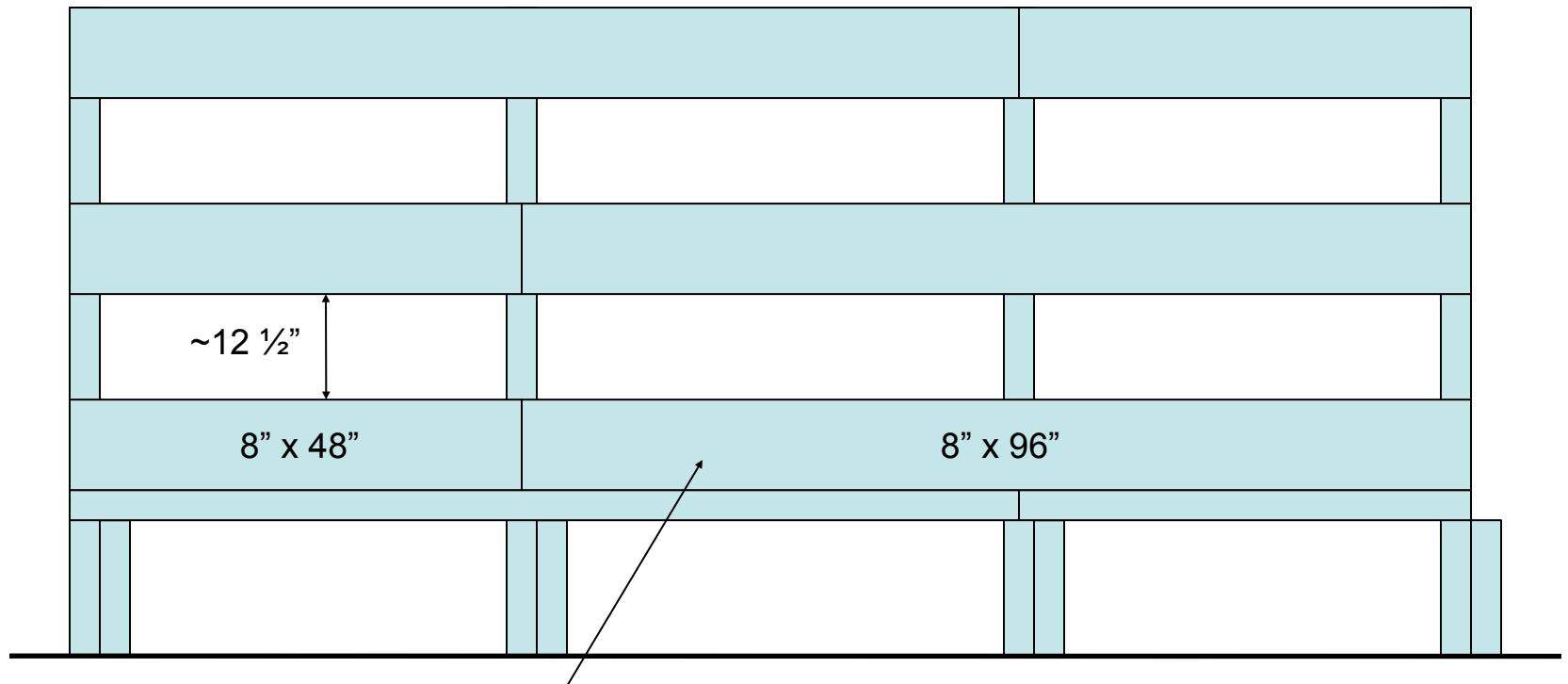


SUPPORT FRAME ASSEMBLIES, 4 REQUIRED





PLYWOOD SHEET CUT LAYOUT. LAST STRIP WILL BE NARROW BY CUMULATIVE WIDTH OF SAW KERF.



SUPPORT STRIPS – 1 SHEET OF 4'X8' 3/8" CHIP BOARD
 RIP INTO 6 STRIPS OF 8" WIDE,
 CUT 2 STRIPS TO 48" LONG
 LAY OUT STRIPS AS SHOWN TO FORM 12' WIDE SUPPORT FRAME
 ATTACH WITH 2 OF #6 X 1 5/8 DRYWALL SCREW AT EACH FRAME CROSSING.