



HOT WAVES WITH HEAT EXCHANGER

HOT WAVES

These are some of the places where this water heater can be used:

- Marine uses
- Boats
- Yachts
- Camper
- Mobile home



SPECIFICATIONS

Components	6 Gal.
Tank Material:	Steel ASTM A-36
Cylinder Thickness:	2.4 mm
Insulation:	Polyurethane
External Material:	Stainless Steel 304
Internal Treatment:	Sand-blasting, type SSPC-10
Internal Lining:	Electrostatic Epoxy White Appliance White ELW505S9
Sacrificial Anode:	Magnesium
Pressure Relief Valve:	125psi/210°F
Outputs Diameter:	1/2" NPT



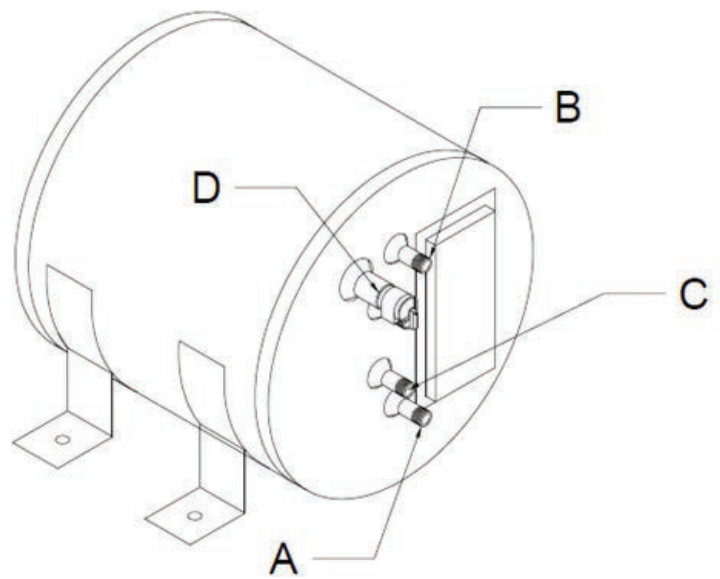
HOT WAVES WITH HEAT EXCHANGER

CHARACTERISTIC

Characteristic	
Type:	Storage
Capacity Net:	5,4 Gal
Max Operation Pressure:	100 psi
Max Test Pressure:	200 psi
Recovery Time ($\Delta T: 72^{\circ}F$)	28 min
Electrical Support:	1500W/120V

CONNECTIONS

Outputs	
A	Cold Tap Water Input
B	Hot Tap Water Output
C	Engine Cooling Liquid
D	T&P Valve



VISTA LATERAL

DIMENSIONS (INCHES)

