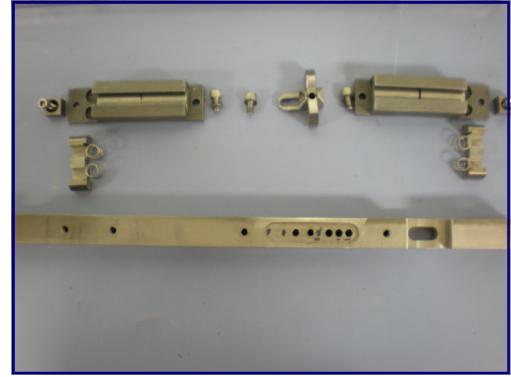
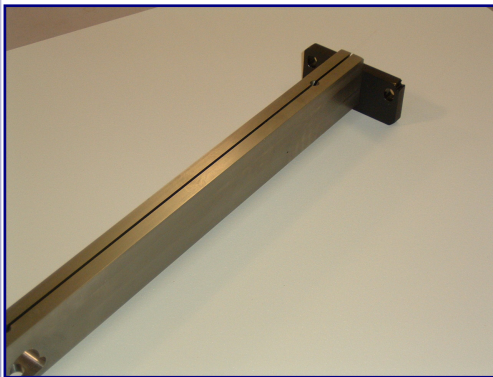


Plate Cylinder Conversions



Acutech LLC is a leader in plate to press register control for web presses. We can analyze plate to press equipment and presses to help minimize waste improve efficiency and improve repeatable registration.



Urbanite Community Metro Colorliner DGM 800/ 400 No Tool Slot Gap

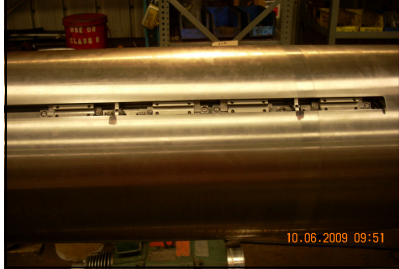
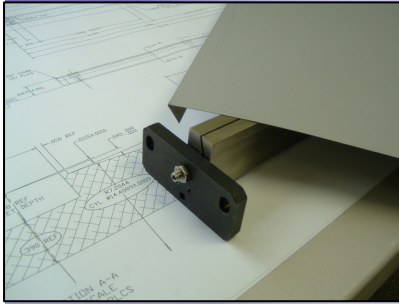
Acutech provides register audits and the scope of equipment needed for punch bend, plate lock ups new and used equipment. The benefits of converting the press to Acutech locks from the OEM mechanical locks are numerous but three main benefits are

- Reduced start up waste. Once the lock are installed and set, plates can be mounted with repeatable accuracy so your start ups are faster meaning less waste. This also means more efficient runs since you don't spend press time on bad copies.
- Faster plate up and removal. Pressmen can mount each plate faster and also strip the press at the end of the run much faster with our lock ups, again saving time and money. Stops for re-plates are quicker too.
- Minimal maintenance costs. Most locks have fewer parts, springs, clamps or adjustment screws to wear out or replace.

Annualized repair or replacement cost drop off to nothing compared to the OEM mechanical.

In addition all of locks are made of high speed stainless and nickel plate to assure no corrosion and long use life. Finally we have a specific gages and tooling to make sure they are installed and set properly so when finished the back to back and HI/LO is as good or better than new plate cylinders machined slot gaps. The locks are installed by qualified technical people, so you know what kind of quality to expect overall. Any punch bend modifications needed are easily handled.

Plate cylinder conversions



Acutech can upgrade you presses to new locks to improve register and maximize efficiency. Many locks accept the OEM bends. Installation is available or can be done by in house machinists.

Acutech can provide audits of plate to press reproduction capabilities and offer specific solutions for improvement.

Prepress:

Punch bend upgrades

Repairs adjustments for register

Reset machines to OEM specification.

Used equipment integration.

Software upgrades

No Chem vision upgrades

New punch benders.

Press:

Reset OEM register pins

Replacement lock ups OEM same bend

Web reductions

Format changes Tall Tab

Gap conversions

Parts

Field Service and Support

Acutech is a single source for register control of plate to press for web presses. Please visit our web page for more information.

www.acu-tech.net



For information please contact

53905 County Rd. 9 Suite C * Elkhart, IN 46514

Phone: 574.262.8228 Fax: 574-262-4289

www.acu-tech.net

Joe Bella

jbella@acu-tech.net