



**HYDRAULIC ROTARY
MANIFOLDS**

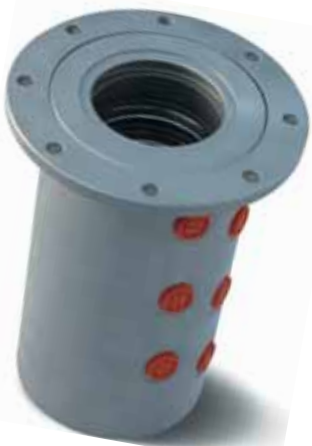


ADVANCED TECHNOLOGY

In the spirit of our founders, our efforts in developing advanced hydraulic components are implemented to the highest level. Our Design and lab facilities permit us to design and test components that will work trouble free in the most demanding applications.

Our mission is to become our customer's ideal partner by supplying reliable, highest quality components at the best possible price.

All our plants are ISO Certified and constant control of the total process from raw material to finished products assures trouble free product are delivered to the customers.



Hydraulic Rotary Manifolds

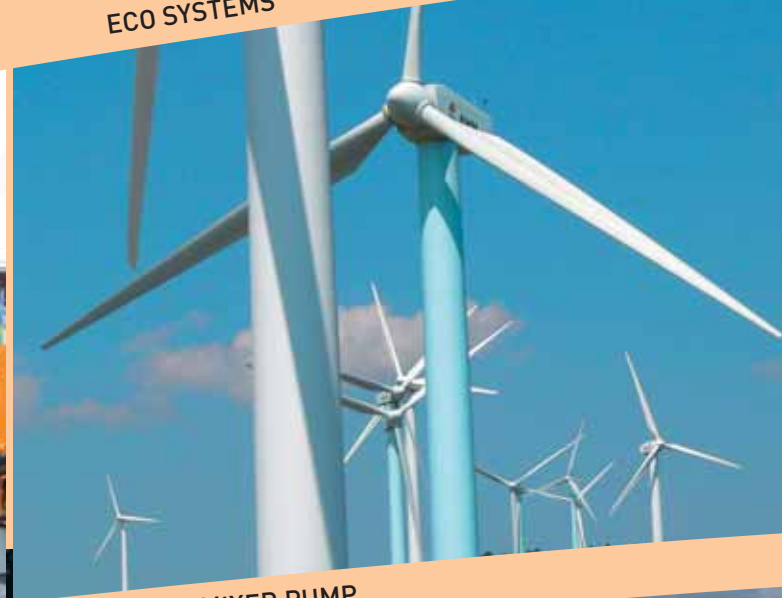
Swivel joints for the transmission of hydraulic oil, water and cooling fluid. Every model can be equipped with electrical swivel joint.

Application Fields

CRANES



ECO SYSTEMS



EXCAVATORS



TRUCK-MIXER PUMP



TELEHANDLERS



AERIAL PLATFORMS



Research and development

To choose Young Powertech and its technology is to entrust your equipment performance to a secure partner. Our know-how is at the service of our customer. Our experienced engineers will work side by side with yours to achieve the best result when designing new equipment. Our goal is to offer NEW SOLUTIONS.

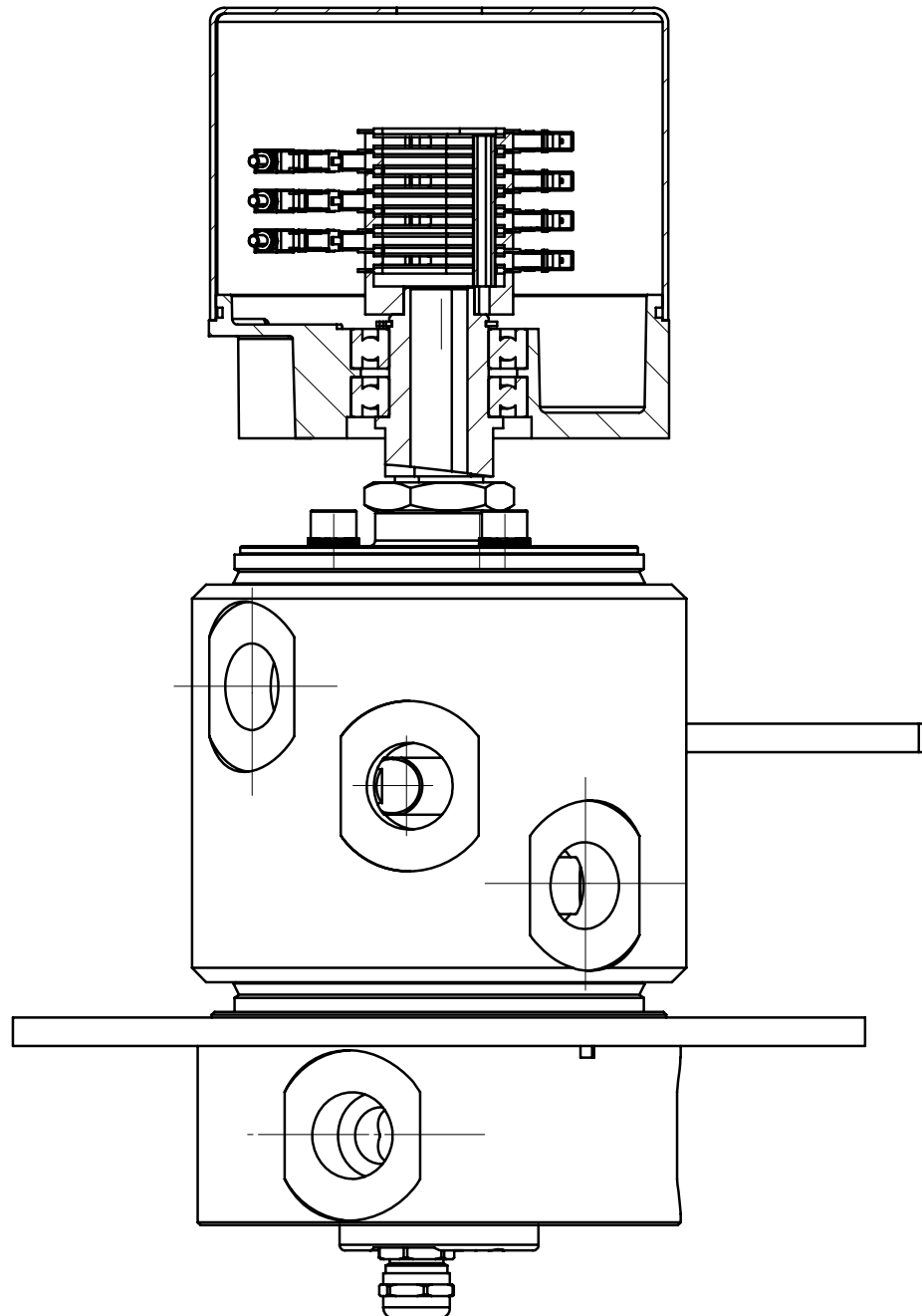
Thanks to our many years of experience in the Hydraulic field, Young Powertech and its suppliers can deliver personalized service for the design and installation of the most demanding applications and focus on ways to reduce costs. Our R&D department can work together with the customer to develop and personalize any high technological rotary manifold application.

Young Powertech and its suppliers are focused on developing new products based on customer's demand, to solve problems, reduce cost and to fill increasing requirements on performance in an ever changing market



ELECTRICAL SWIVEL JOINT

General technical informations

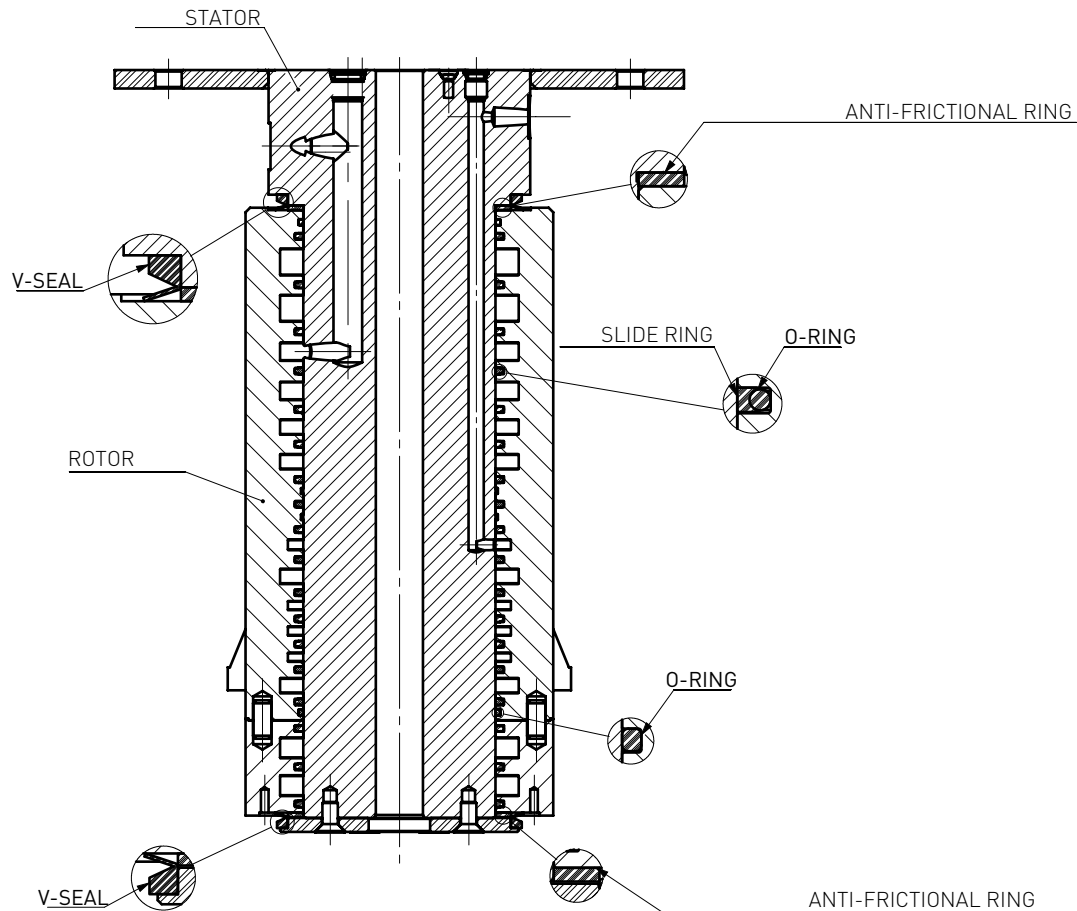


ACCESSORIES:

Every model can be equipped with electrical swivel joint following the specification of the customer (compile the sheet about the electrical part).

HYDRAULIC SWIVEL JOINT

General technical informations



CONSTRUCTION :

stator : C40 - aluminium; rotor : S35J2G3 - aluminium

FLUIDS

hydraulic oil - DOT 4 - H2O - grease - hydrocarbons - gas

SURFACE TREATMENTS

stator: hard chromium plating - nickel plating - hard oxidation

rotor: phosphatizing with manganese- nickel plating - hard oxidation

SEALING COMPONENTS

seals in buna N - viton - EPDM - special teflon rings

WORKING CONDITIONS

ideal operating range: $-10^{\circ}\text{C} + 80^{\circ}\text{C}$

max operating temperature: 90°C

min/max environment temperatures: $-20^{\circ}\text{C} / +60^{\circ}\text{C}$

max rotating speed: 10 rpm

max pressure: 420 bar

working pressure: 350 bar

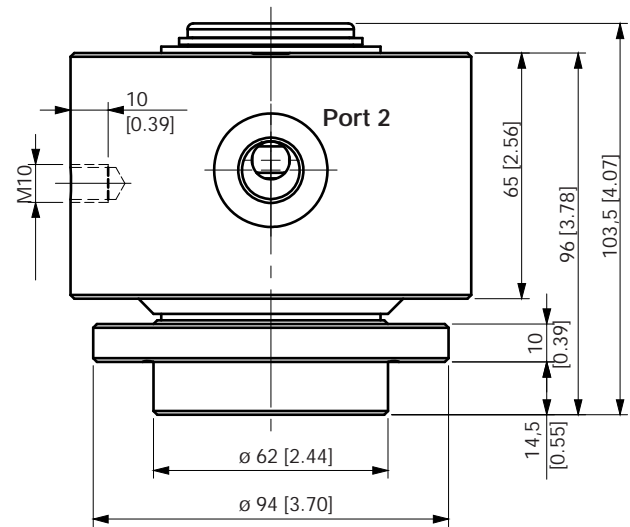
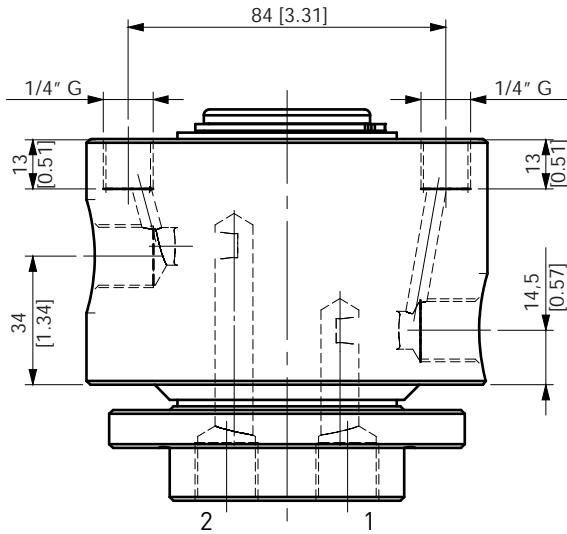
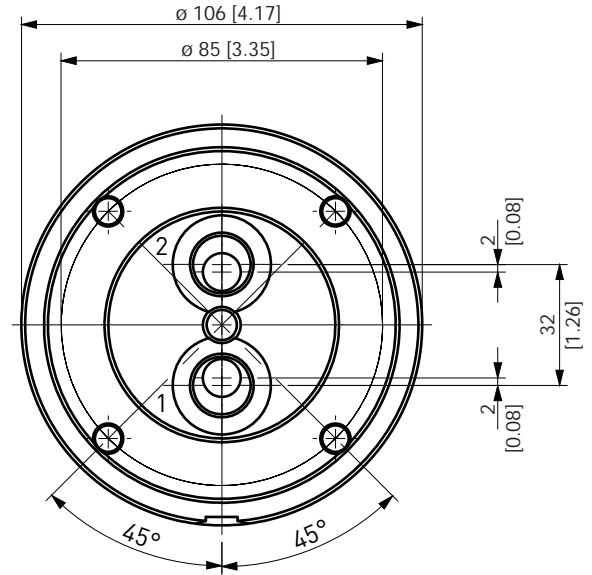
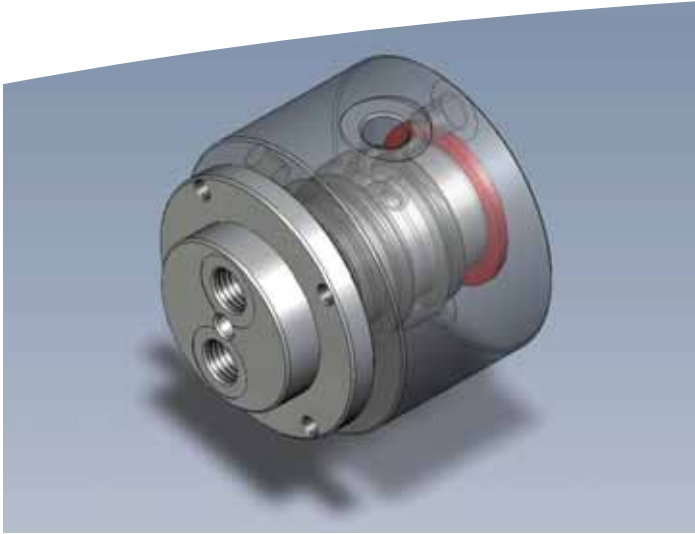
rotating torque: it depends by the model

starting torque: it depends by the model

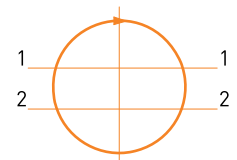
mounting position: vertical; axial and radial loads: no allowed

All the data of this catalogue are not reproducibles and can have modifications at discretion of hbs.

SWIVEL JOINT 2 WAYS COD. D045020000

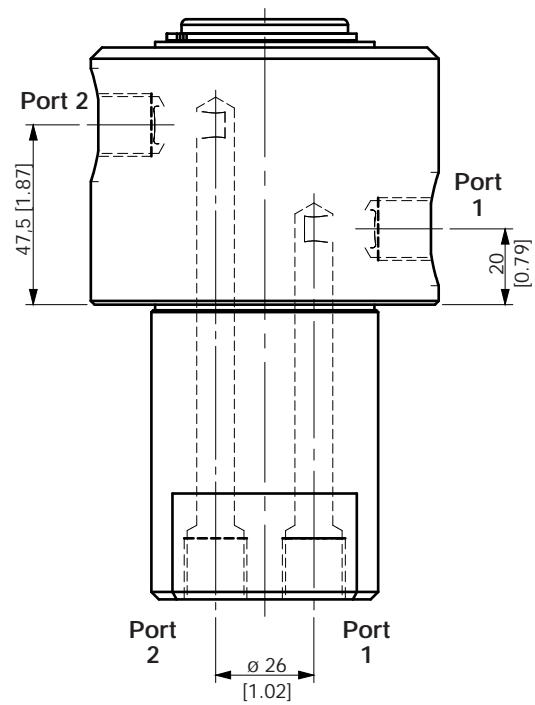
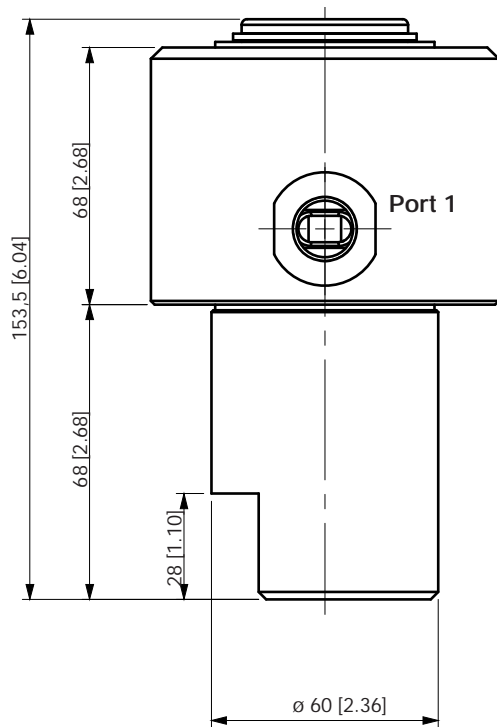
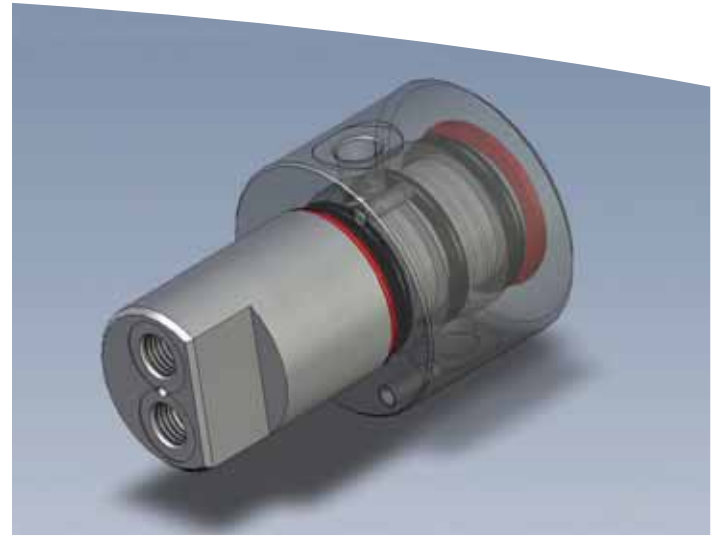
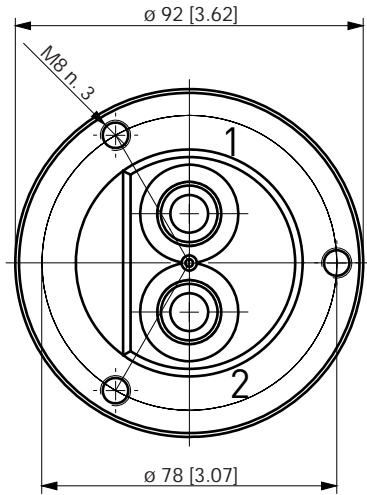


STATOR ROTOR

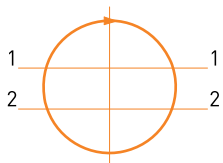


POS	STATOR	ROTOR	DN		WORKING PRESSURE		MAX PRESSURE		FLUID
			mm	inches	bar	PSI	bar	PSI	
1	3/8" G	3/8" G	10	[0.39]	380	5500	420	6100	hydraulic oil
2	3/8" G	3/8" G	10	[0.39]	380	5500	420	6100	hydraulic oil

SWIVEL JOINT 2 WAYS COD. D045020200

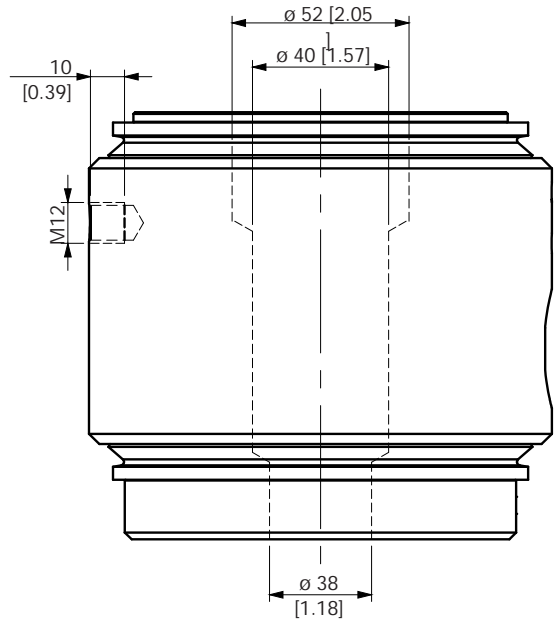
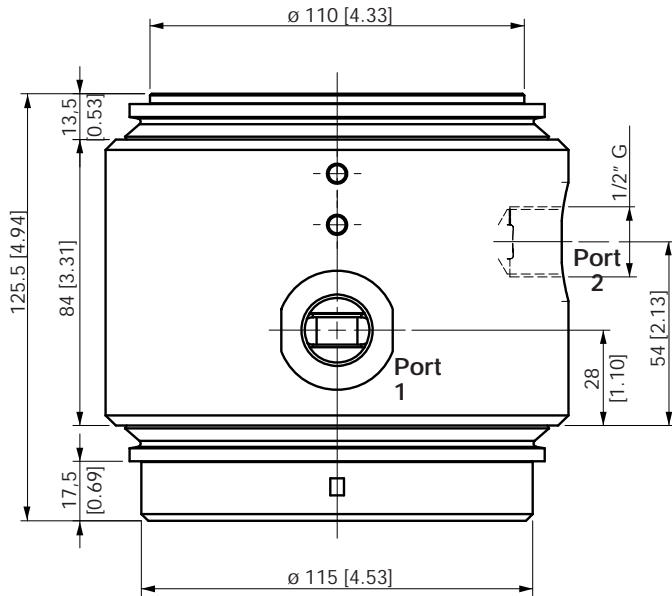
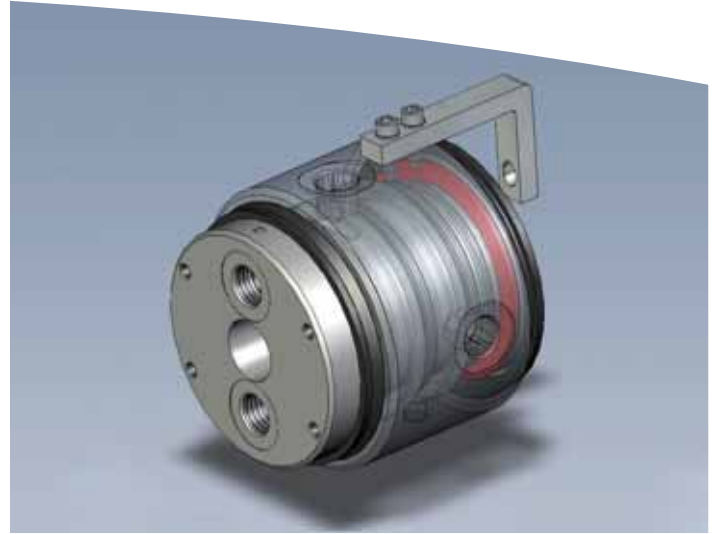
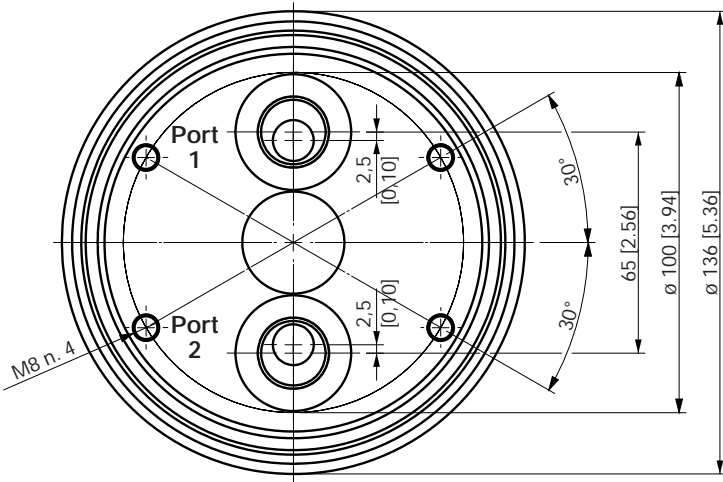


STATOR ROTOR

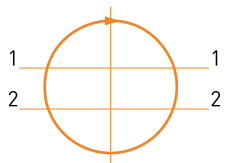


POS	STATOR	ROTOR	DN		WORKING PRESSURE		MAX PRESSURE		FLUID
			mm	inches	bar	PSI	bar	PSI	
1	3/8" G	3/8" G	10	[0.39]	380	5500	420	6100	hydraulic oil
2	3/8" G	3/8" G	10	[0.39]	380	5500	420	6100	hydraulic oil

SWIVEL JOINT 2 WAYS COD. D085020000

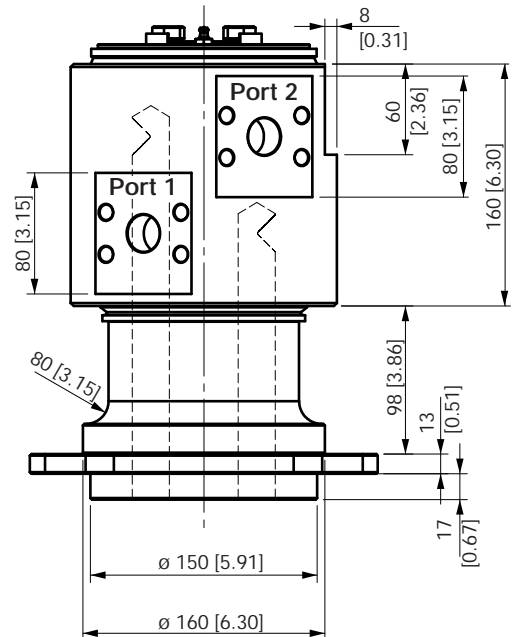
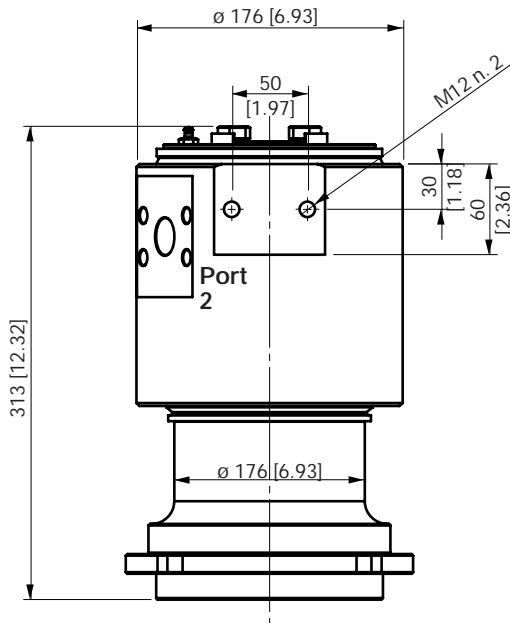
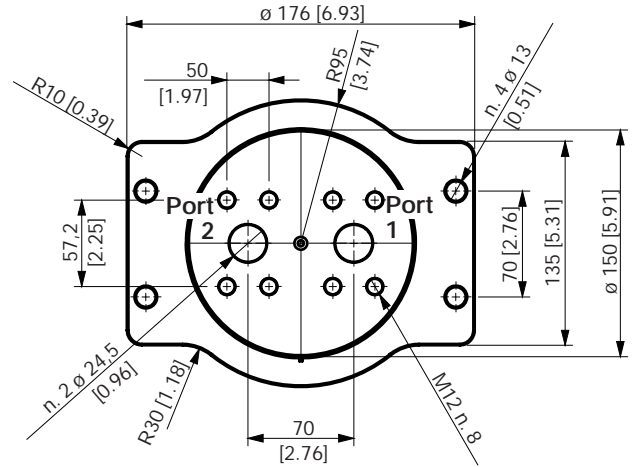
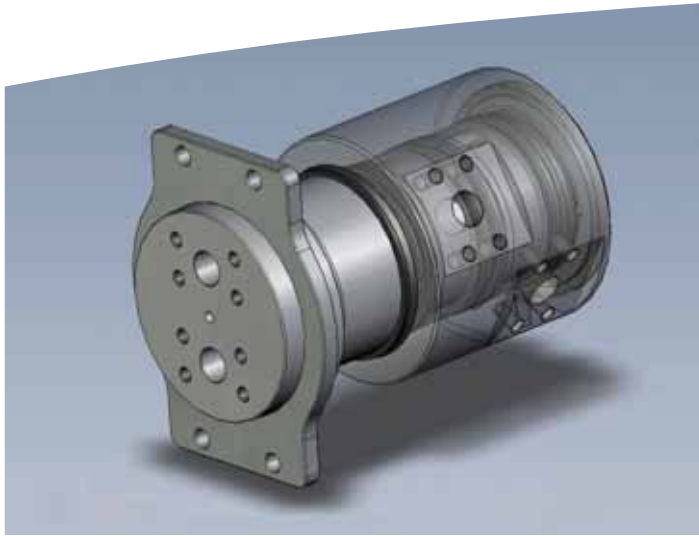


STATOR ROTOR

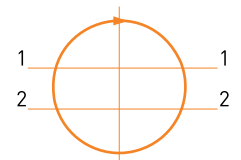


POS	STATOR	ROTOR	DN		WORKING PRESSURE		MAX PRESSURE		FLUID
			mm	inches	bar	PSI	bar	PSI	
1	3/8" G	3/8" G	12	[0.47]	380	5500	420	6100	hydraulic oil
2	3/8" G	3/8" G	12	[0.47]	380	5500	420	6100	hydraulic oil

SWIVEL JOINT 2 WAYS COD. D105020300

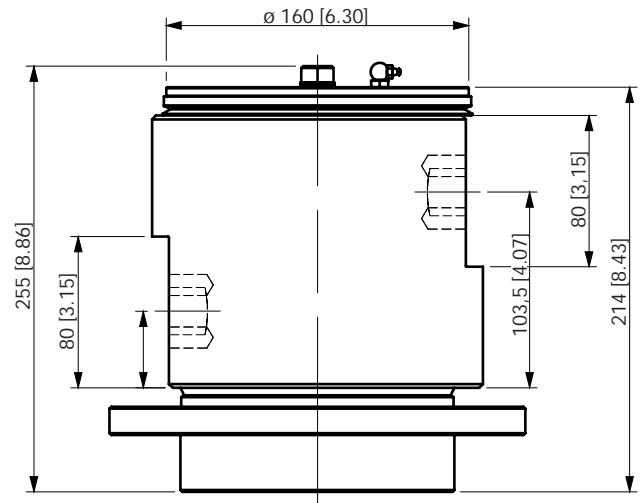
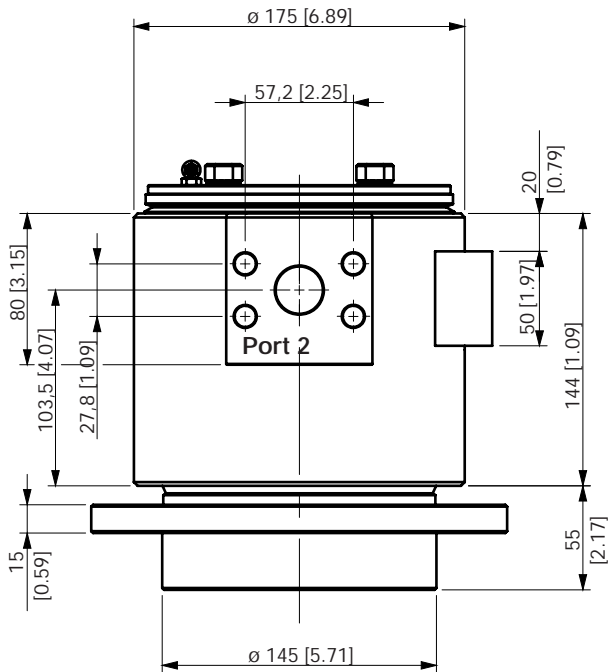
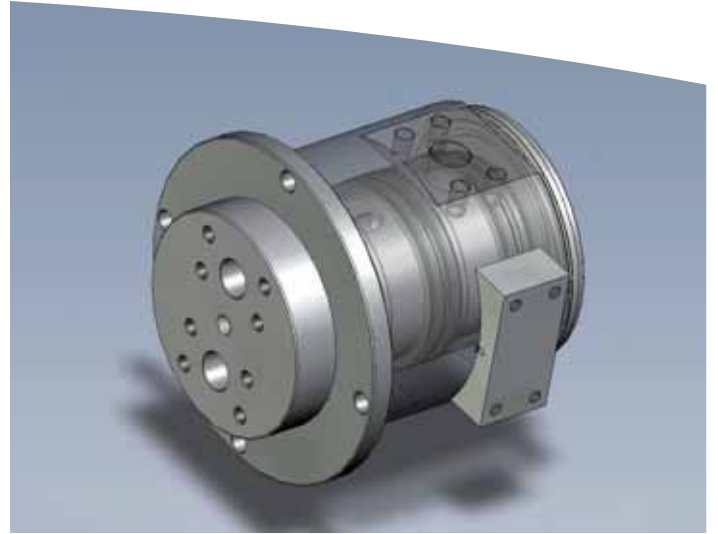
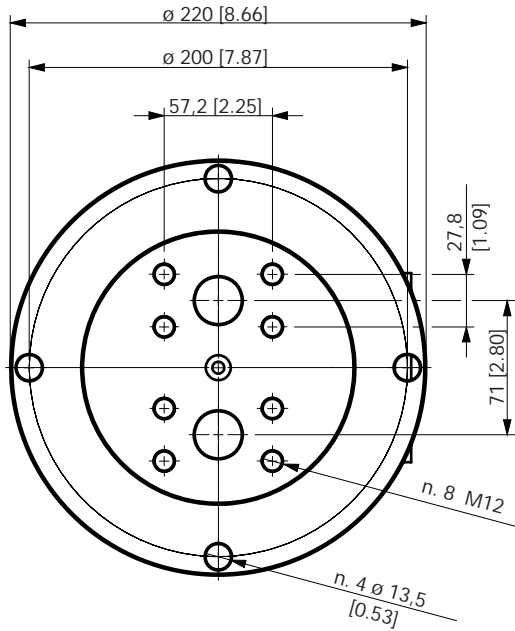


STATOR ROTOR

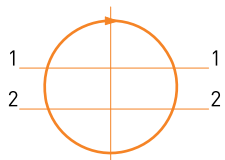


POS	STATOR	ROTOR	DN		WORKING PRESSURE		MAX PRESSURE		FLUID
			mm	inches	bar	PSI	bar	PSI	
1	SAE 1" G 6000 psi	SAE 1" G 6000 psi	24,5	[0.96]	380	5500	420	6100	hydraulic oil
2	SAE 1" G 6000 psi	SAE 1" G 6000 psi	24,5	[0.96]	380	5500	420	6100	hydraulic oil

SWIVEL JOINT 2 WAYS COD. D105020000

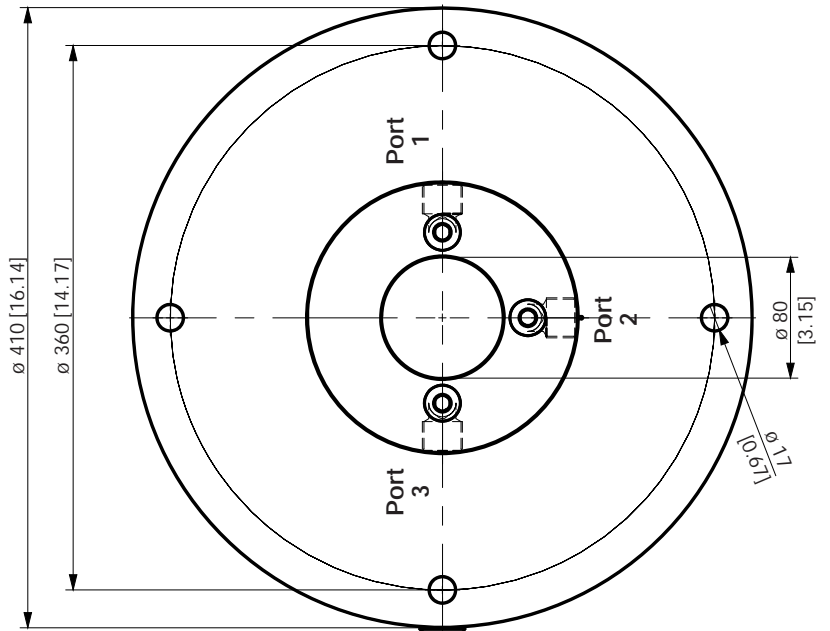
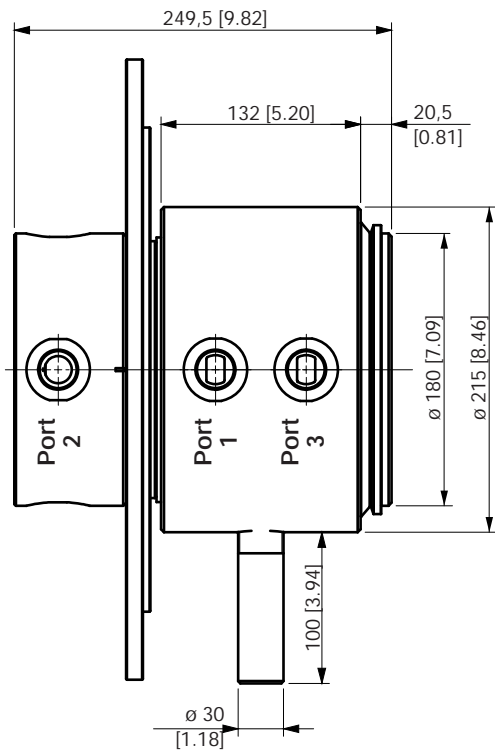
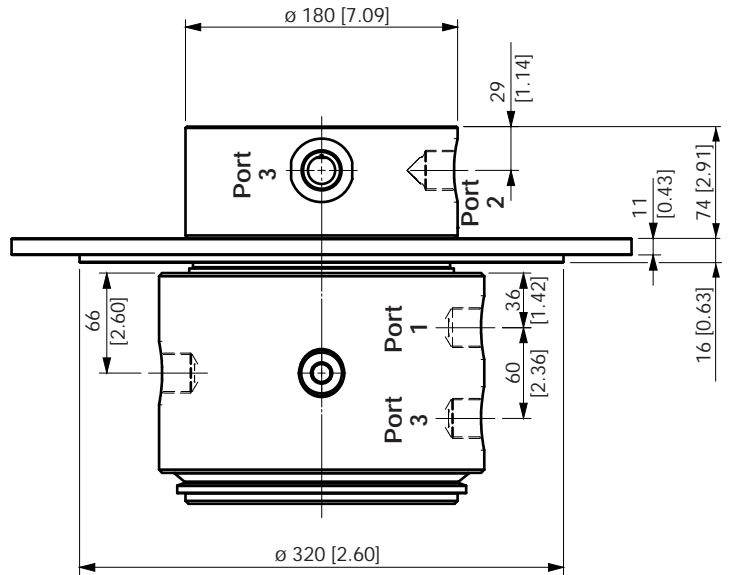
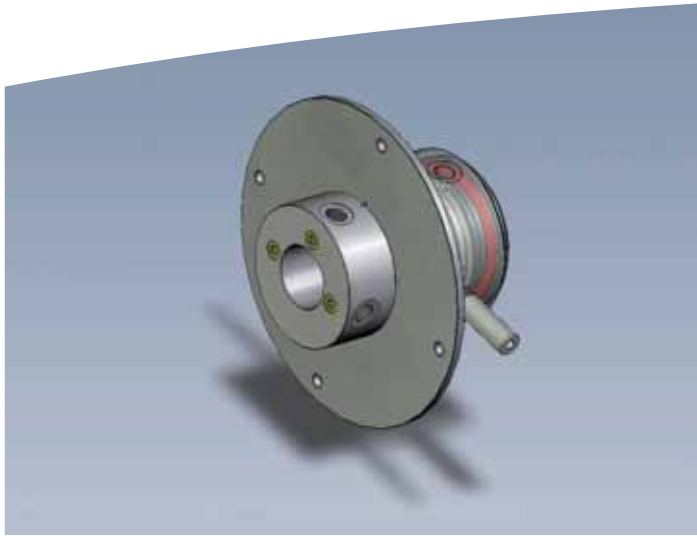


STATOR ROTOR

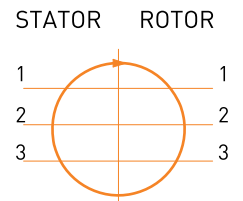


POS	STATOR	ROTOR	DN		WORKING PRESSURE		MAX PRESSURE		FLUID
			mm	inches	bar	PSI	bar	PSI	
1	SAE 1"G 6000 psi	SAE 1"G 6000 psi	24,5	[0.96]	380	5500	420	6100	hydraulic oil
2	SAE 1"G 6000 psi	SAE 1"G 6000 psi	24,5	[0.96]	380	5500	420	6100	hydraulic oil

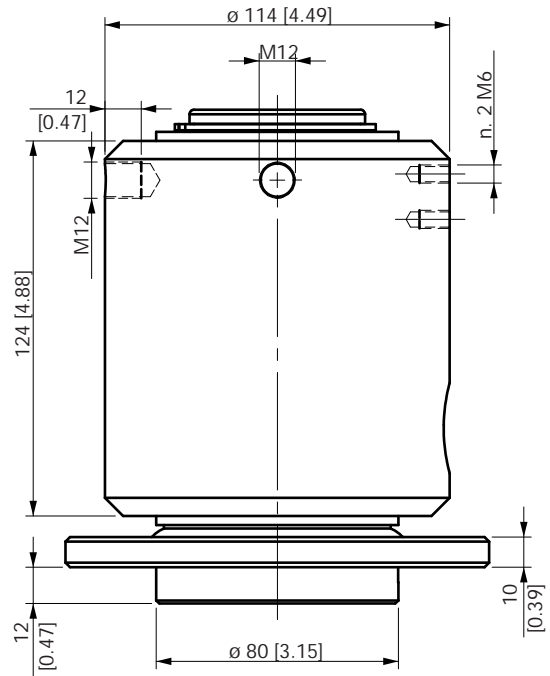
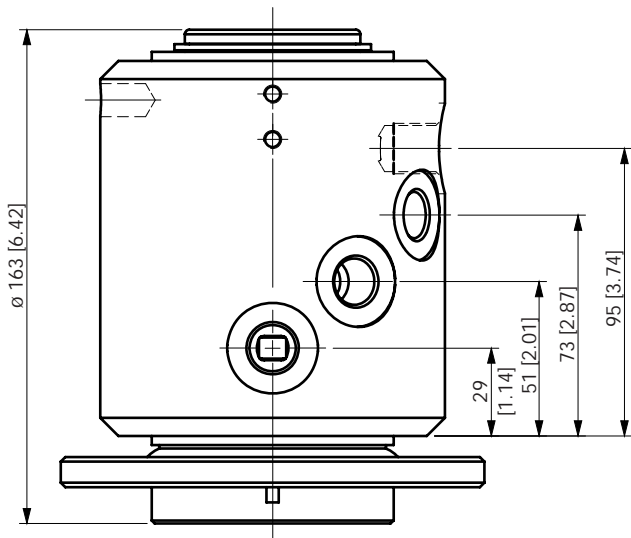
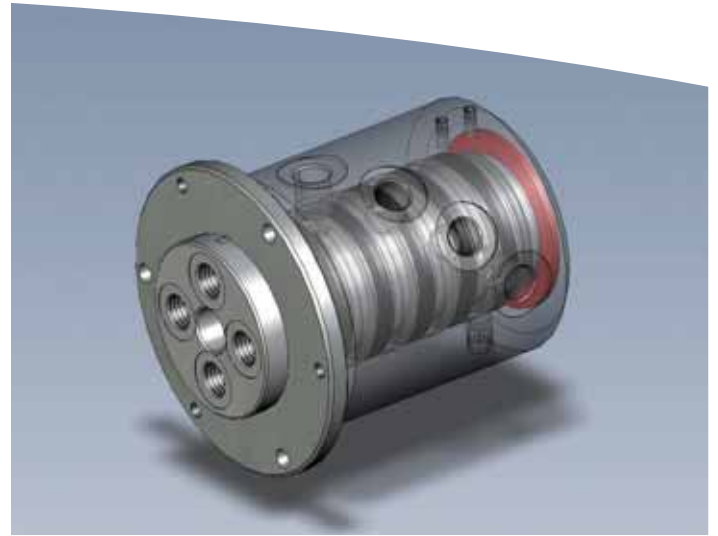
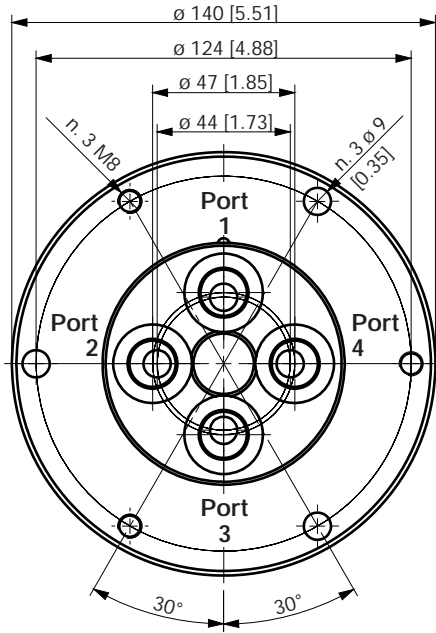
SWIVEL JOINT 3 WAYS COD. D145030100



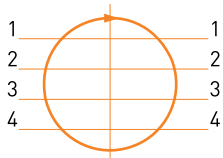
POS	STATOR	ROTOR	DN		WORKING PRESSURE		MAX PRESSURE		FLUID
			mm	inches	bar	PSI	bar	PSI	
1	3/4"G	3/4"G	18,0	[0.71]	380	5500	420	6100	hydraulic oil
2	3/4"G	3/4"G	18,0	[0.71]	380	5500	420	6100	hydraulic oil
3	3/4"G	3/4"G	18,0	[0.71]	380	5500	420	6100	hydraulic oil



SWIVEL JOINT 4 WAYS COD. D060040000

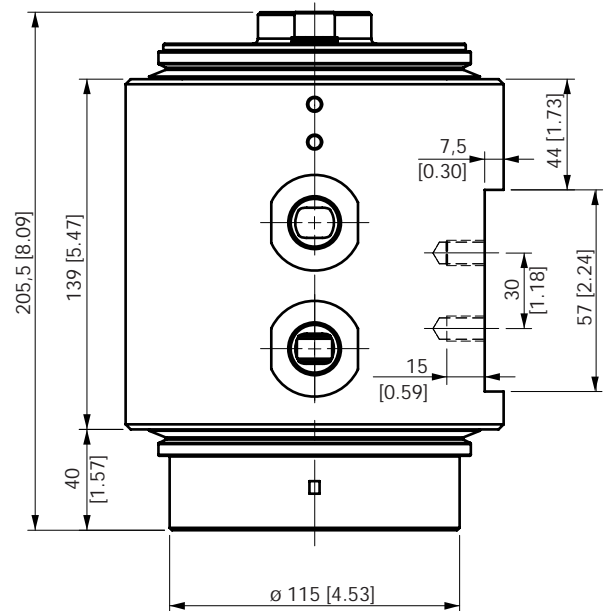
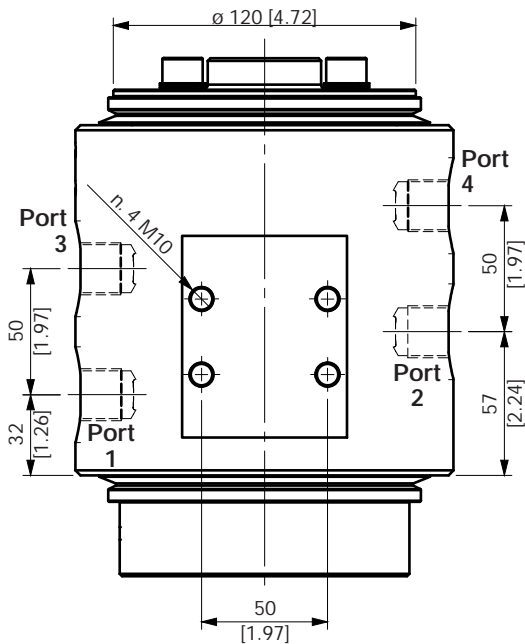
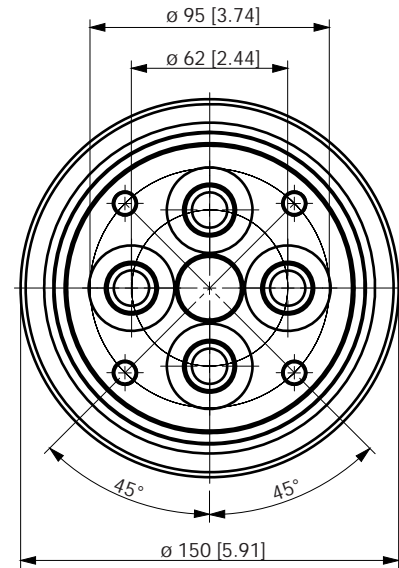


STATOR ROTOR

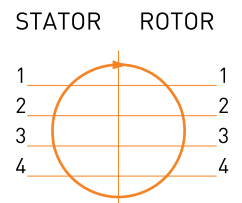


POS	STATOR	ROTOR	DN		WORKING PRESSURE		MAX PRESSURE		FLUID
			mm	inches	bar	PSI	bar	PSI	
1	3/8"G	3/8"G	9,0	[0.35]	380	5500	420	6100	hydraulic oil
2	3/8"G	3/8"G	9,0	[0.35]	380	5500	420	6100	hydraulic oil
3	3/8"G	3/8"G	9,0	[0.35]	380	5500	420	6100	hydraulic oil
4	3/8"G	3/8"G	9,0	[0.35]	380	5500	420	6100	hydraulic oil

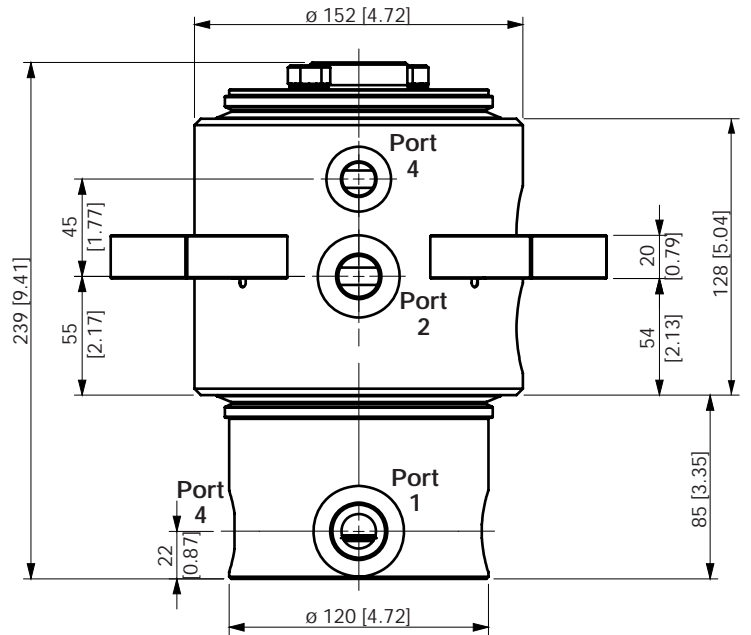
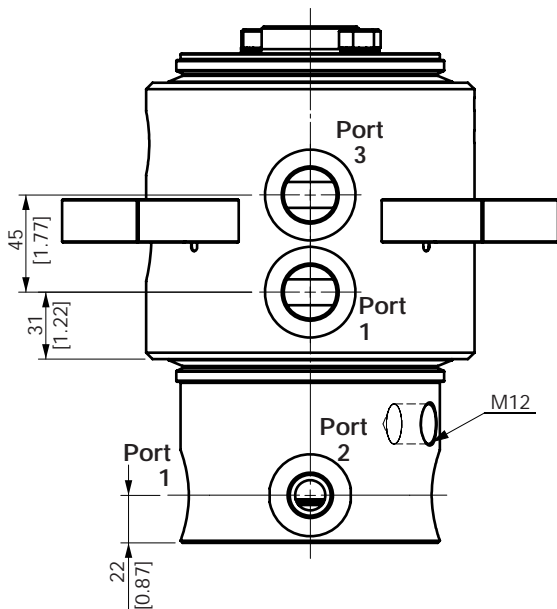
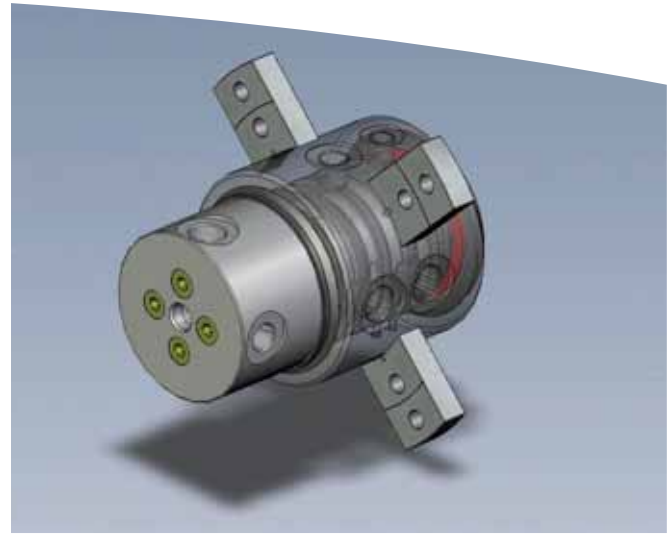
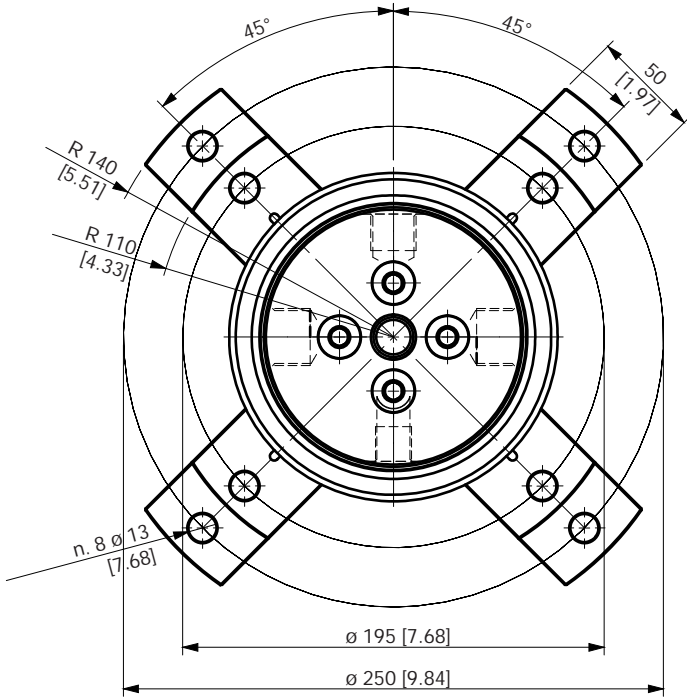
SWIVEL JOINT 4 WAYS COD. D085040600



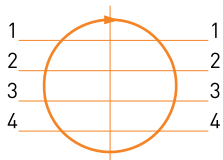
POS	STATOR	ROTOR	DN		WORKING PRESSURE		MAX PRESSURE		FLUID
			mm	inches	bar	PSI	bar	PSI	
1	1/2"G	1/2"G	14,0	[0.55]	380	5500	420	6100	hydraulic oil
2	1/2"G	1/2"G	14,0	[0.55]	380	5500	420	6100	hydraulic oil
3	1/2"G	1/2"G	14,0	[0.55]	380	5500	420	6100	hydraulic oil
4	1/2"G	1/2"G	14,0	[0.55]	380	5500	420	6100	hydraulic oil



SWIVEL JOINT 4 WAYS COD. D085040400

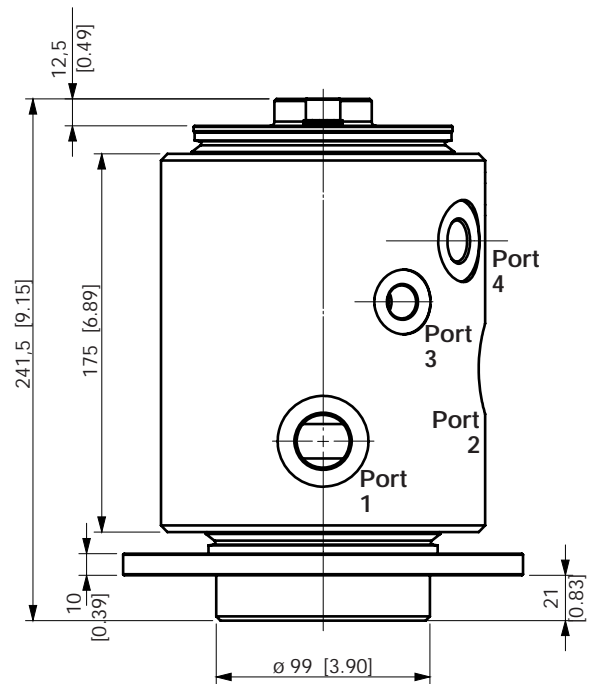
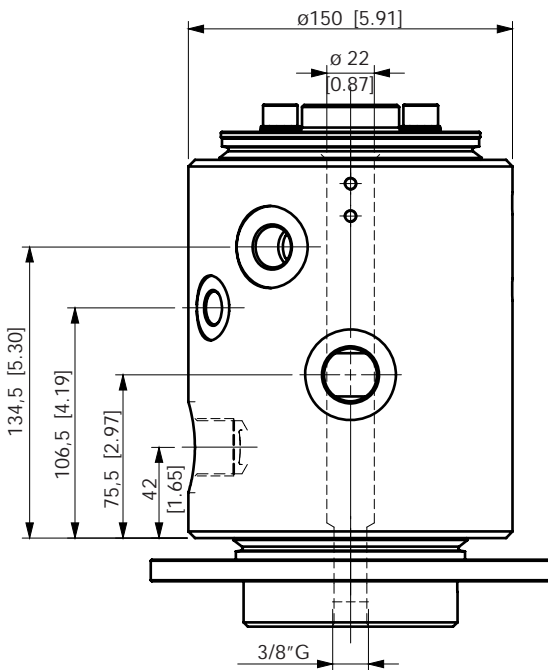
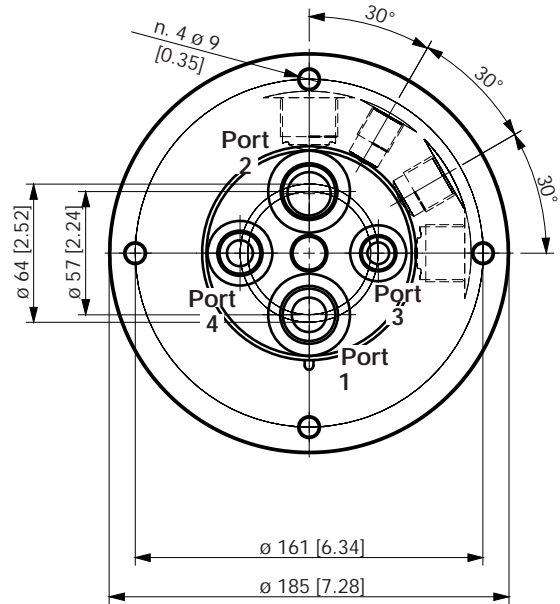
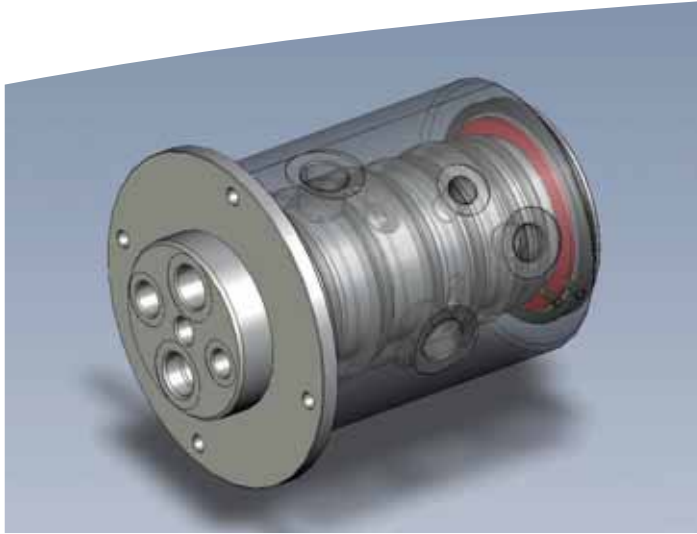


STATOR ROTOR



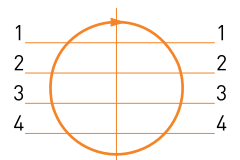
POS	STATOR	ROTOR	DN		WORKING PRESSURE		MAX PRESSURE		FLUID
			mm	inches	bar	PSI	bar	PSI	
1	3/4"G	3/4"G	16,0	[0.63]	380	5500	420	6100	hydraulic oil
2	1/2"G	1/2"G	16,0	[0.63]	380	5500	420	6100	hydraulic oil
3	3/4"G	3/4"G	16,0	[0.63]	380	5500	420	6100	hydraulic oil
4	3/8"G	3/8"G	16,0	[0.63]	380	5500	420	6100	hydraulic oil

SWIVEL JOINT 4 WAYS COD. D085040200

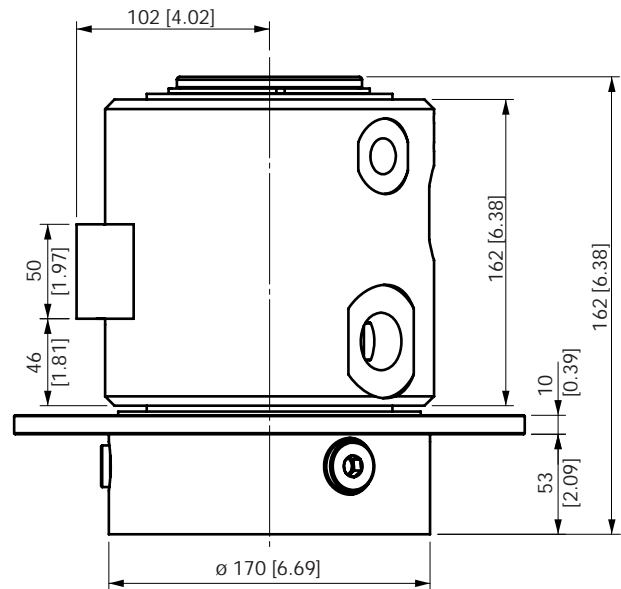
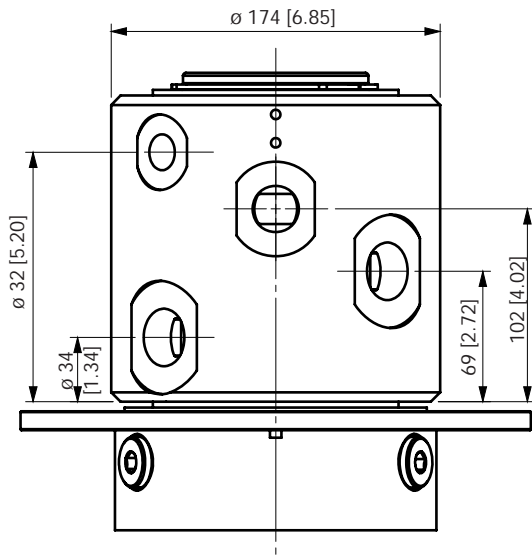
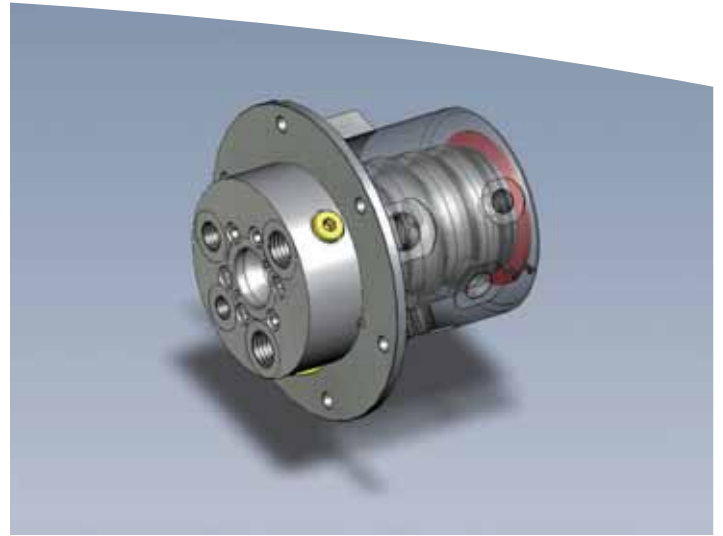
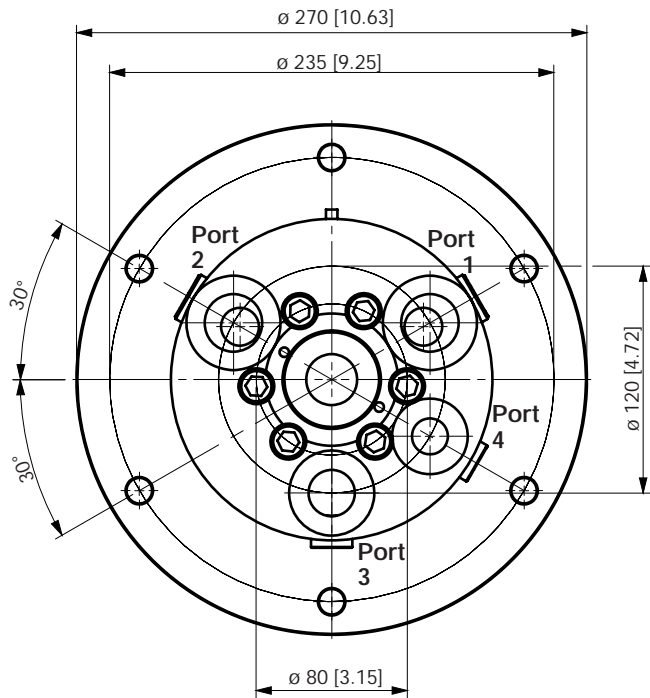


POS	STATOR	ROTOR	DN		WORKING PRESSURE		MAX PRESSURE		FLUID
			mm	inches	bar	PSI	bar	PSI	
1	3/4"G	3/4"G	16,0	[0.63]	380	5500	420	6100	hydraulic oil
2	3/4"G	3/4"G	20,0	[0.79]	380	5500	420	6100	hydraulic oil
3	3/8"G	3/8"G	10,0	[0.39]	380	5500	420	6100	hydraulic oil
4	1/2"G	1/2"G	12,0	[0.47]	380	5500	420	6100	hydraulic oil

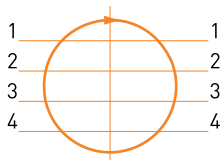
STATOR ROTOR



SWIVEL JOINT 4 WAYS COD. D100040200

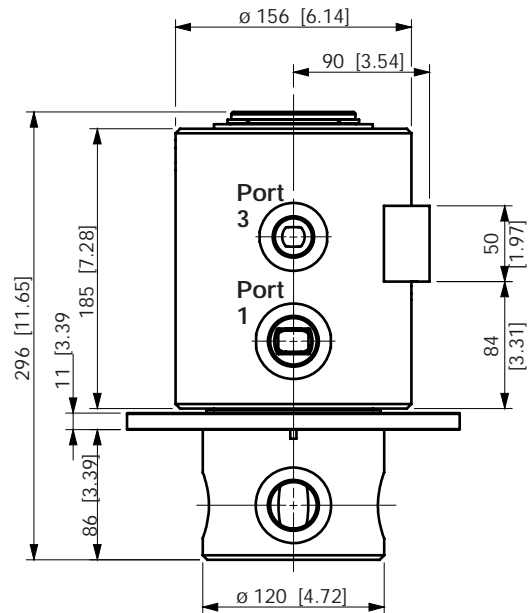
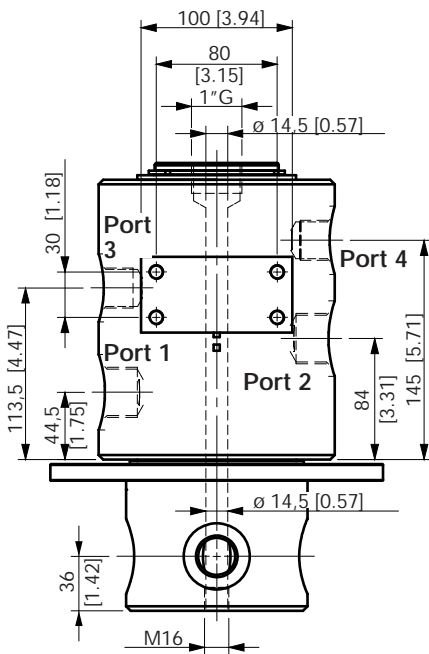
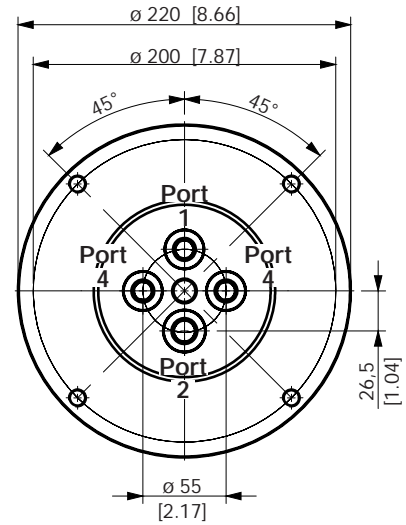
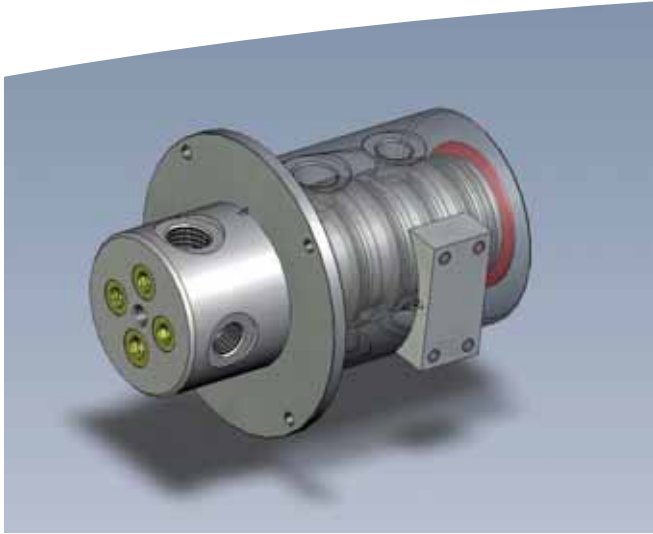


STATOR ROTOR



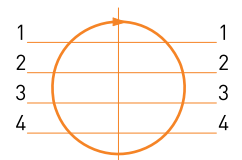
POS	STATOR	ROTOR	DN		WORKING PRESSURE		MAX PRESSURE		FLUID
			mm	inches	bar	PSI	bar	PSI	
1	1"G	1"G	20	[0.79]	380	5500	420	6100	hydraulic oil
2	1"G	1"G	20	[0.79]	380	5500	420	6100	hydraulic oil
3	3/4"G	3/4"G	15	[0.59]	380	5500	420	6100	hydraulic oil
4	1/2"G	1/2"G	12	[0.47]	380	5500	420	6100	hydraulic oil

SWIVEL JOINT 4 WAYS COD. D085040300

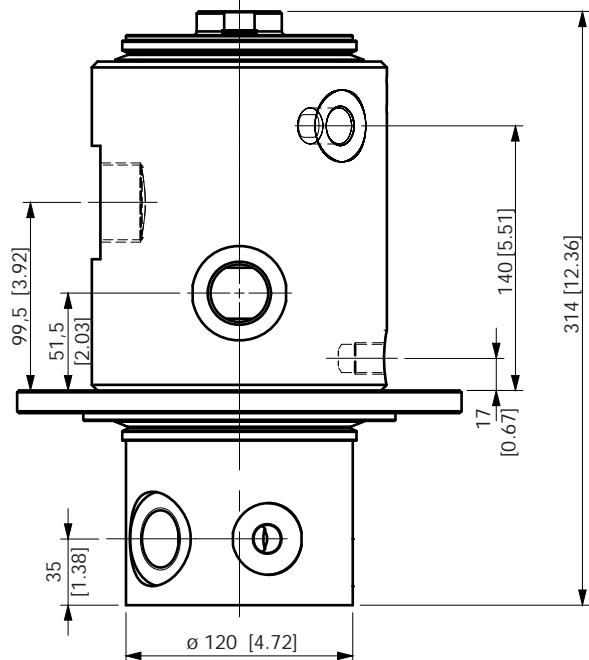
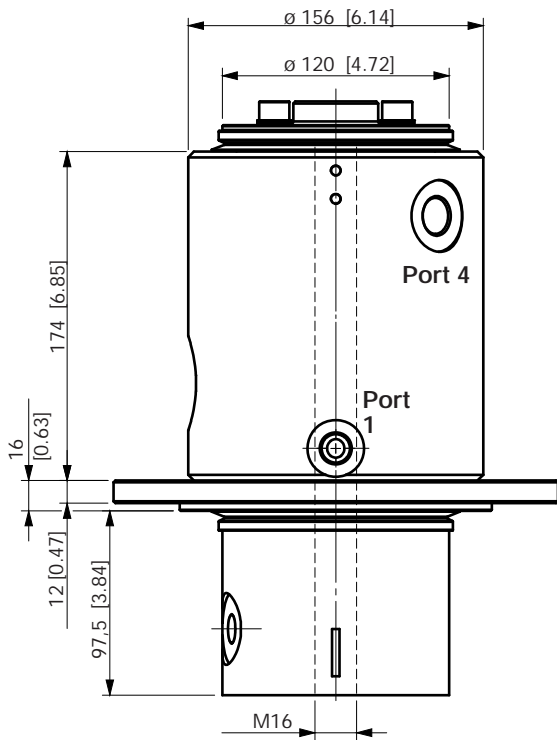
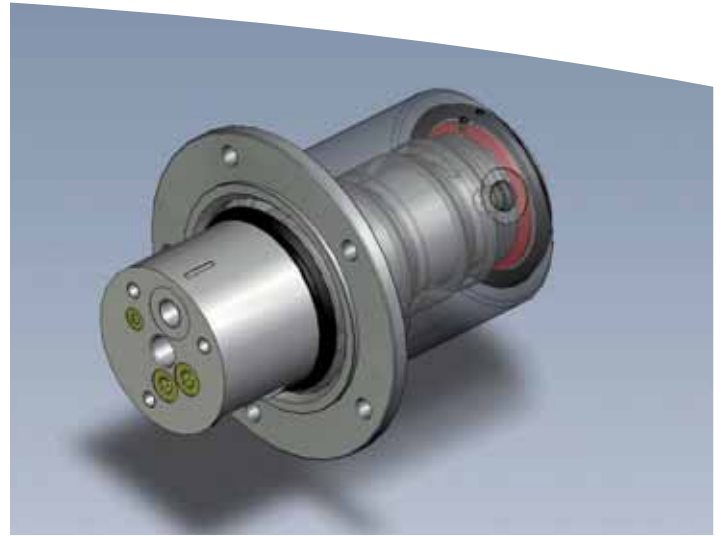
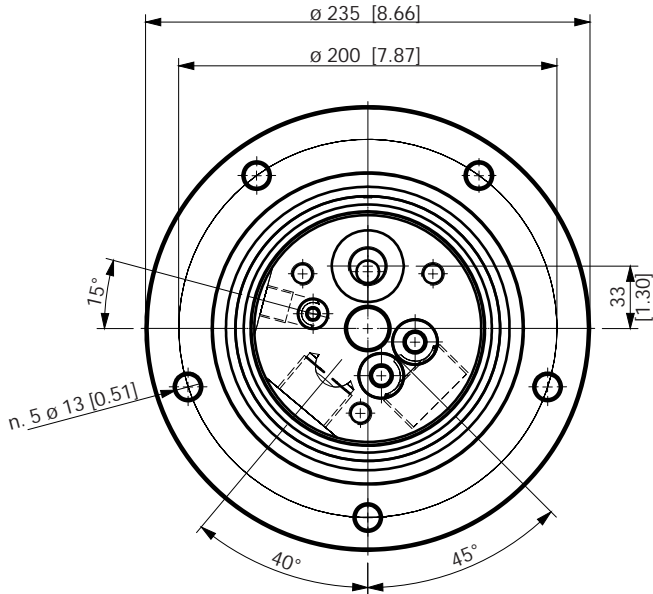


POS	STATOR	ROTOR	DN		WORKING PRESSURE		MAX PRESSURE		FLUID
			mm	inches	bar	PSI	bar	PSI	
1	1"G	1"G	20	[0.79]	380	5500	420	6100	hydraulic oil
2	1"G	1"G	24	[0.94]	380	5500	420	6100	hydraulic oil
3	3/4"G	3/4"G	20	[0.79]	380	5500	420	6100	hydraulic oil
4	3/4"G	3/4"G	20	[0.79]	380	5500	420	6100	hydraulic oil

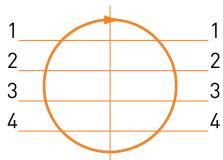
STATOR ROTOR



SWIVEL JOINT 4 WAYS COD. D085040500

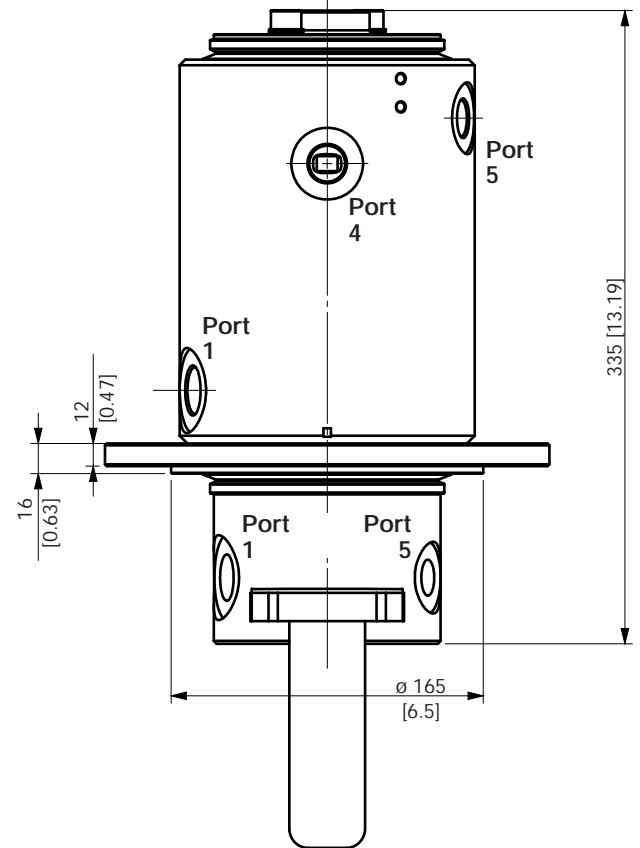
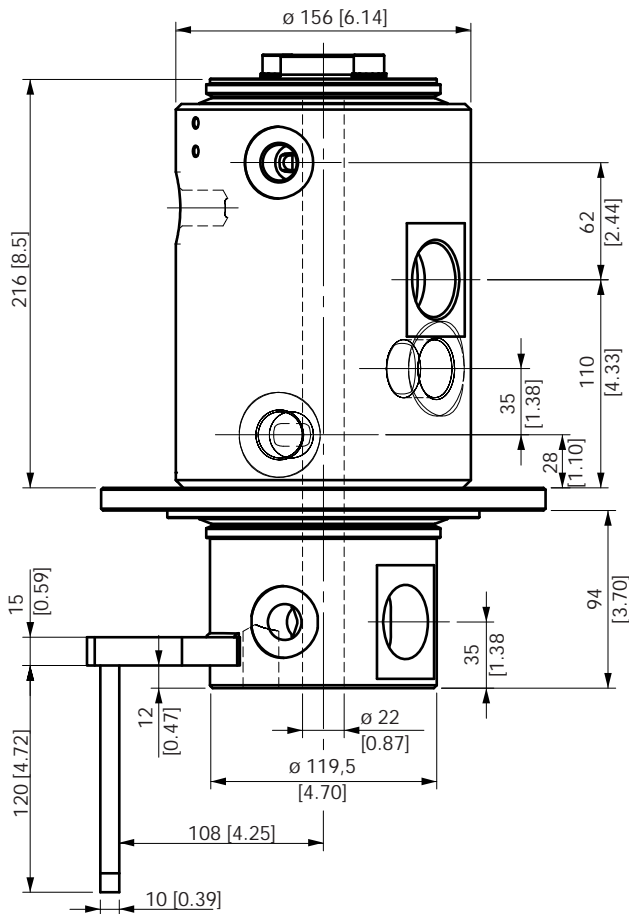
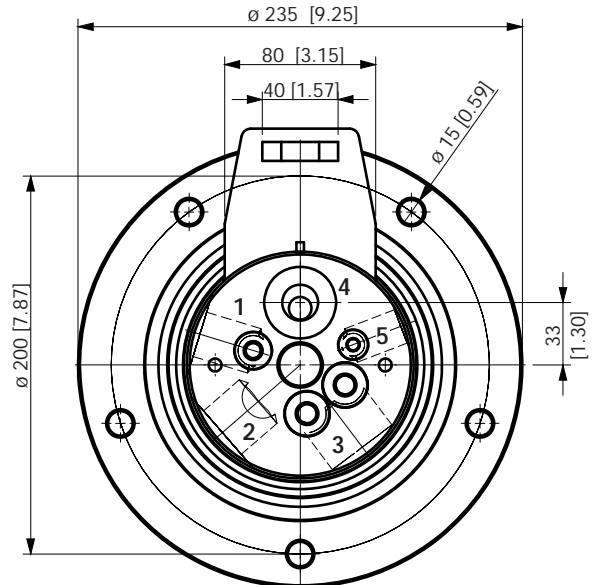
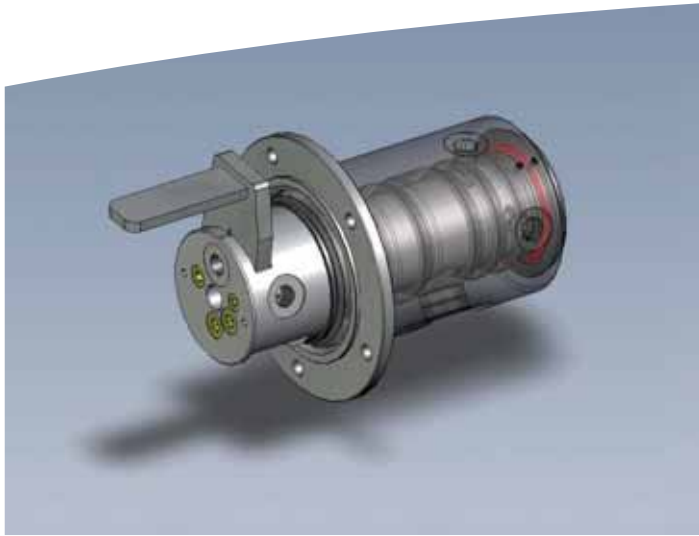


STATOR ROTOR



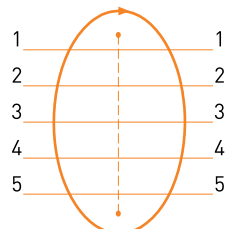
POS	STATOR	ROTOR	DN		WORKING PRESSURE		MAX PRESSURE		FLUID
			mm	inches	bar	PSI	bar	PSI	
1	3/8"G	3/8"G	12	[0.47]	380	5500	420	6100	hydraulic oil
2	1"G	1"G	22	[0.87]	380	5500	420	6100	hydraulic oil
3	3/8"G	3/8"G	n. 2 - 20	[0.79]	380	5500	420	6100	hydraulic oil
4	1/2"G	1/2"G	12	[0.47]	380	5500	420	6100	hydraulic oil

SWIVEL JOINT 5 WAYS COD. D085050200

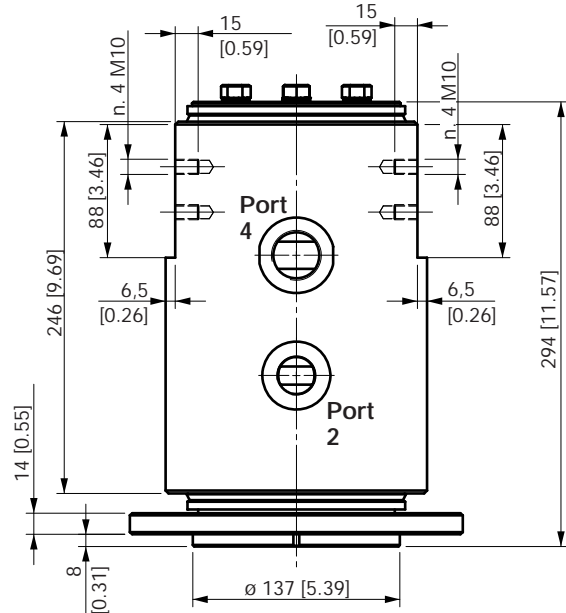
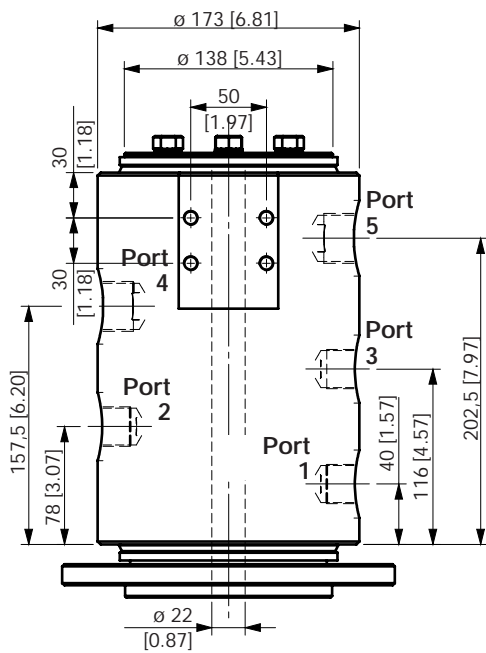
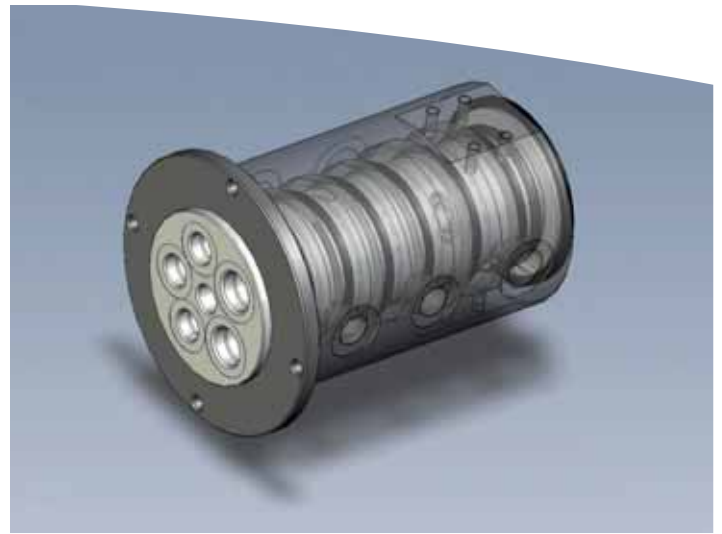
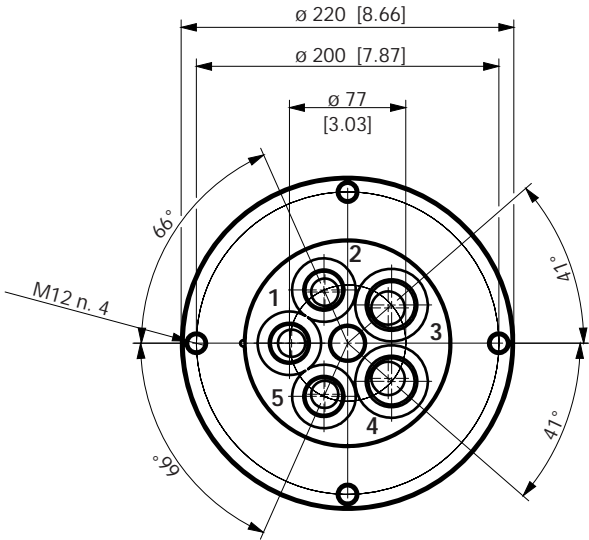


POS	STATOR	ROTOR	DN		WORKING PRESSURE		MAX PRESSURE		FLUID
			mm	inches	bar	PSI	bar	PSI	
1	3/4"G	3/4"G	16	[0.71]	380	5500	420	6100	hydraulic oil
2	1"G	1"G	22	[0.71]	380	5500	420	6100	hydraulic oil
3	1 1/4"G	1 1/4"G	n. 2 - 20	[0.71]	380	5500	420	6100	hydraulic oil
4	1/2"G	1/2"G	22	[0.87]	380	5500	420	6100	hydraulic oil
5	1/2"G	1/2"G	22	[0.87]	380	5500	420	6100	hydraulic oil

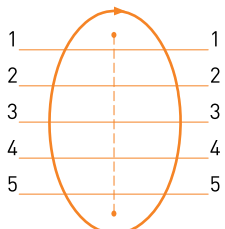
STATOR ROTOR



SWIVEL JOINT 5 WAYS COD. D100050100

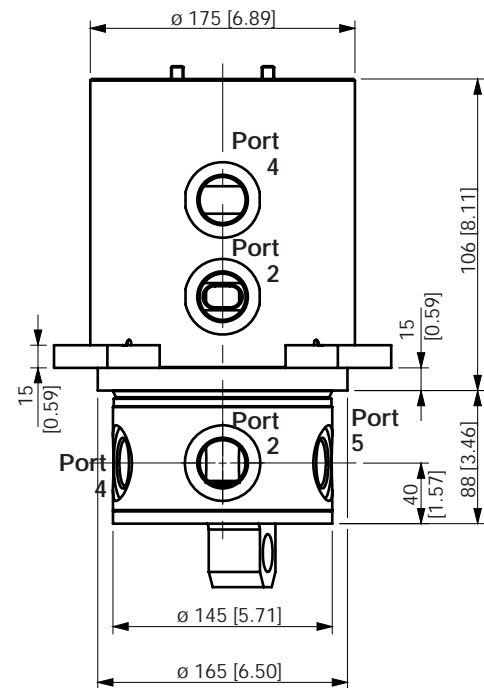
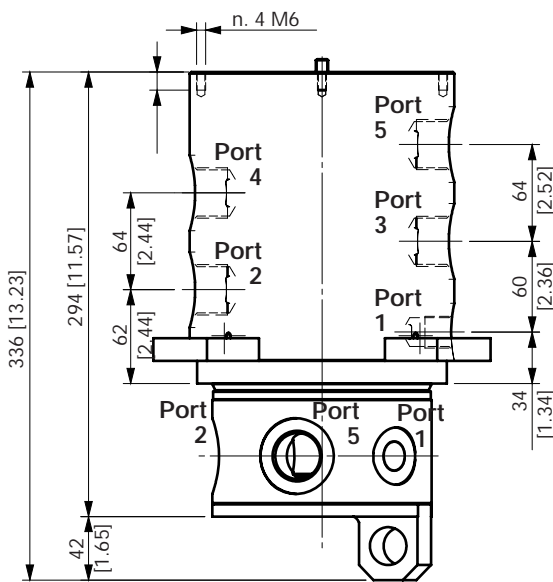
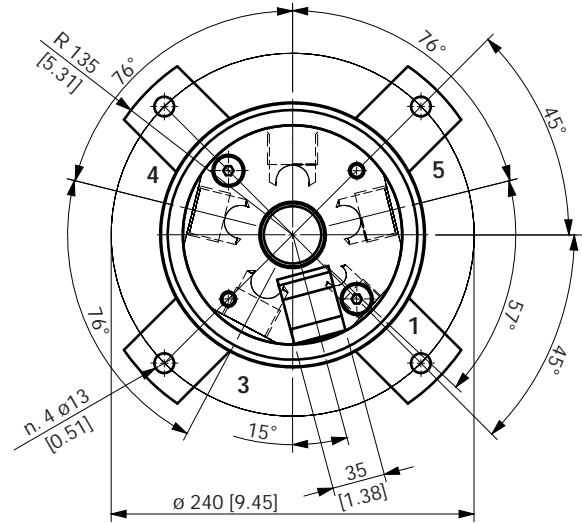
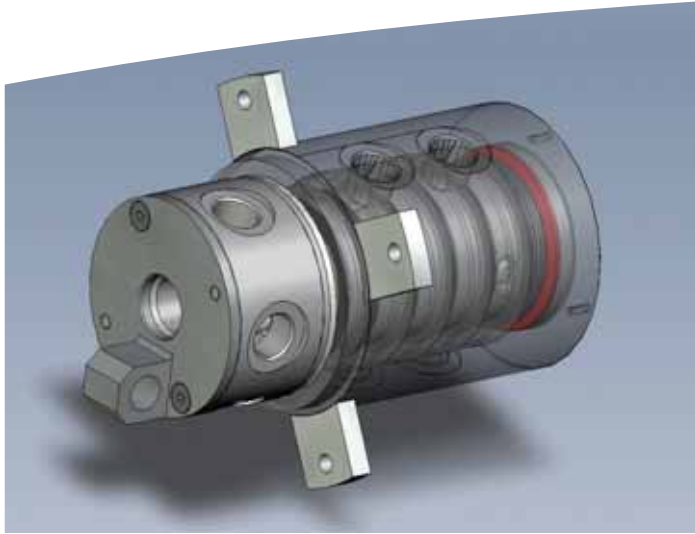


STATOR ROTOR



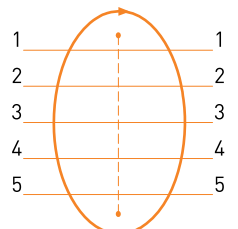
POS	STATOR	ROTOR	DN		WORKING PRESSURE		MAX PRESSURE		FLUID
			mm	inches	bar	PSI	bar	PSI	
1	3/4"G	3/4"G	18,0	[0.71]	380	5500	420	6100	hydraulic oil
2	3/4"G	3/4"G	18,0	[0.71]	380	5500	420	6100	hydraulic oil
3	3/4"G	3/4"G	18,0	[0.71]	380	5500	420	6100	hydraulic oil
4	1"G	1"G	22,0	[0.87]	380	5500	420	6100	hydraulic oil
5	1"G	1"G	22,0	[0.87]	380	5500	420	6100	hydraulic oil

SWIVEL JOINT 5 WAYS COD. D0100050000

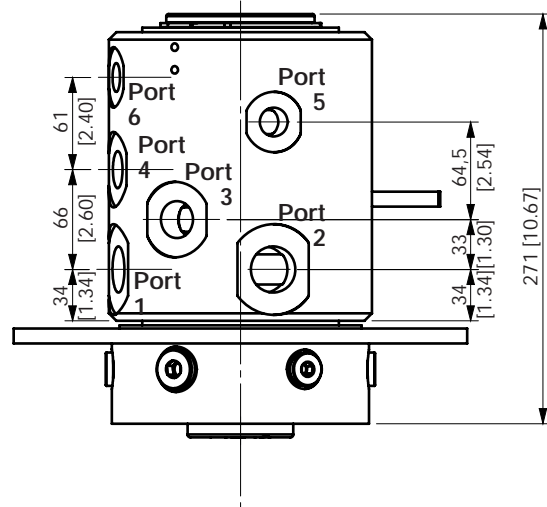
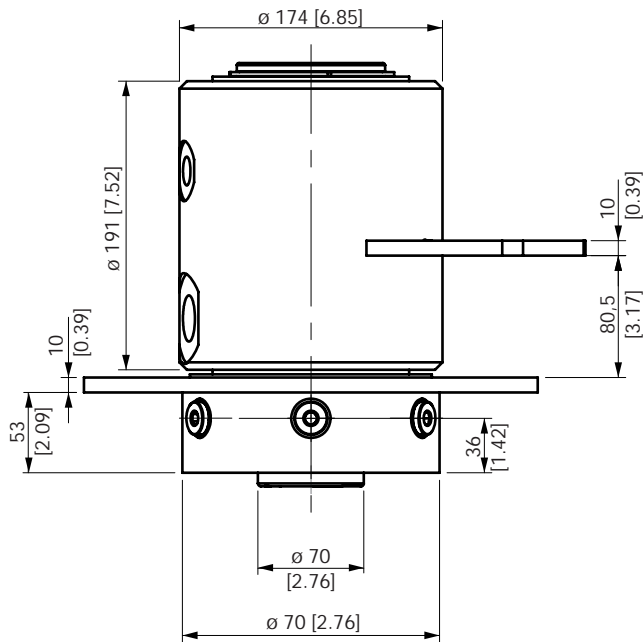
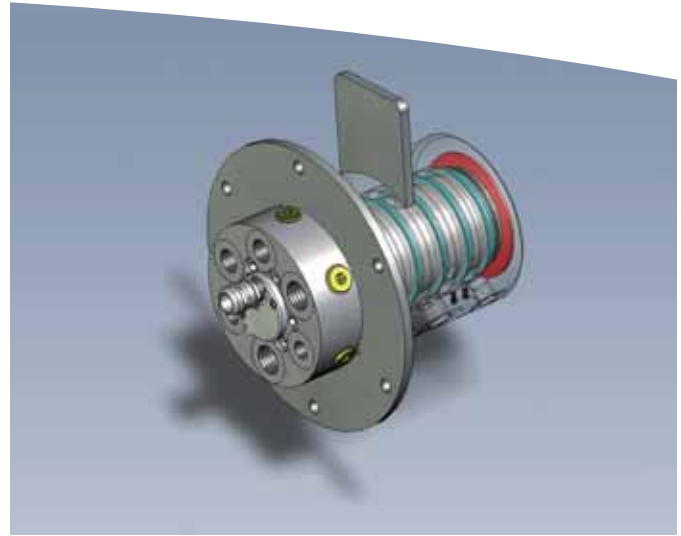
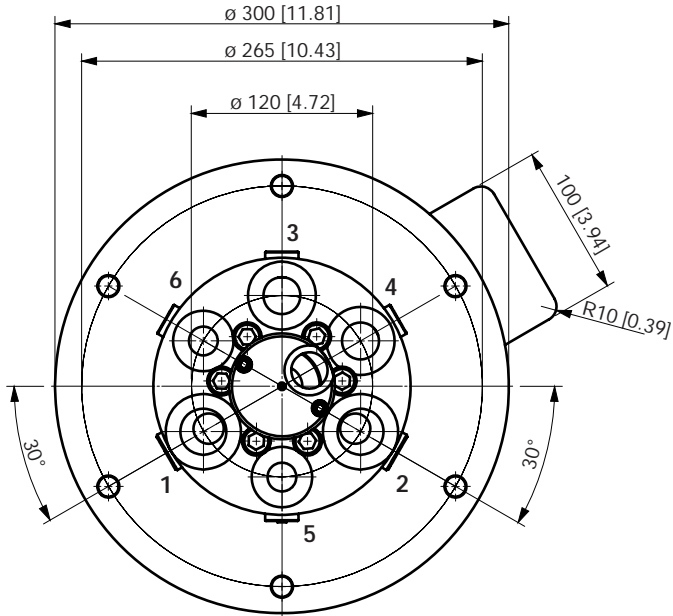


POS	STATOR	ROTOR	DN		WORKING PRESSURE		MAX PRESSURE		FLUID
			mm	inches	bar	PSI	bar	PSI	
1	1/2"G	1/2"G	14	[0.55]	380	5500	420	6100	hydraulic oil
2	1"G	1"G	22	[0.87]	380	5500	420	6100	hydraulic oil
3	1"G	1"G	22	[0.87]	380	5500	420	6100	hydraulic oil
4	1"G	1"G	22	[0.87]	380	5500	420	6100	hydraulic oil
5	1"G	1"G	22	[0.87]	380	5500	420	6100	hydraulic oil

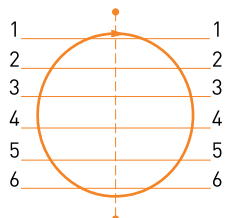
STATOR ROTOR



SWIVEL JOINT 6 WAYS COD. D100060000

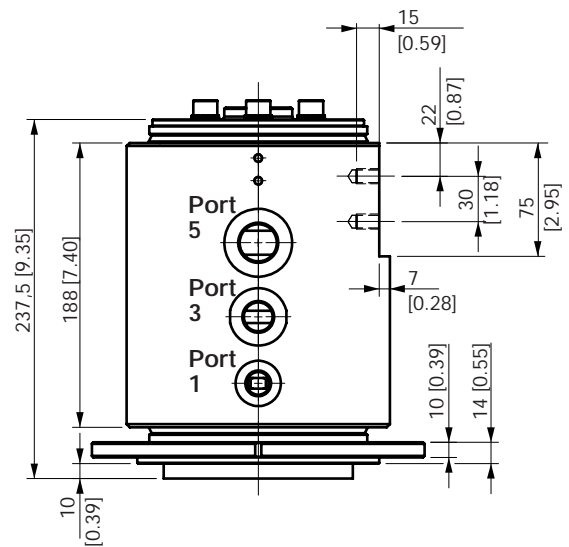
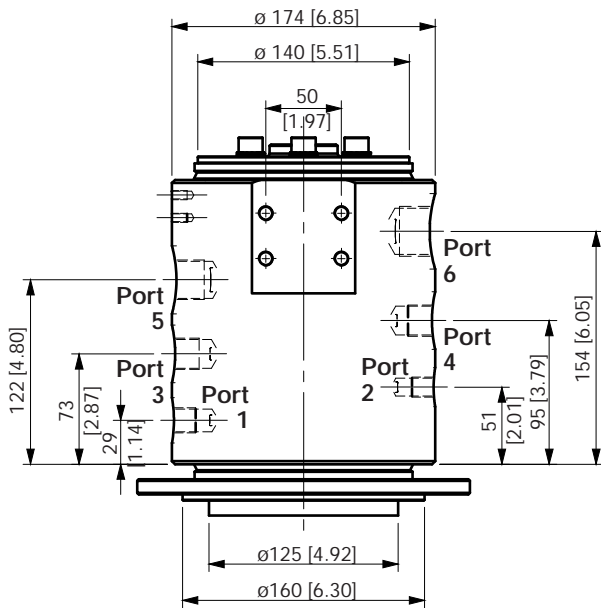
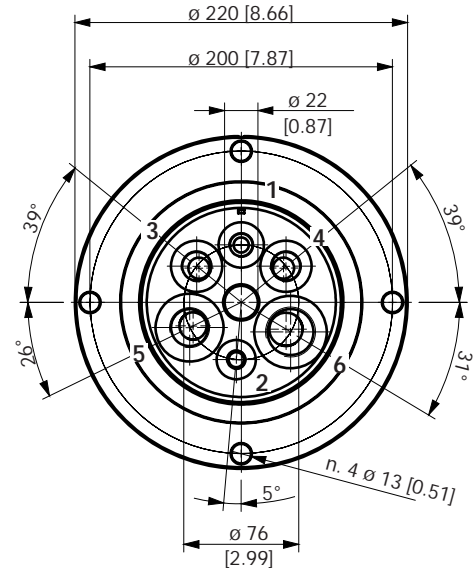
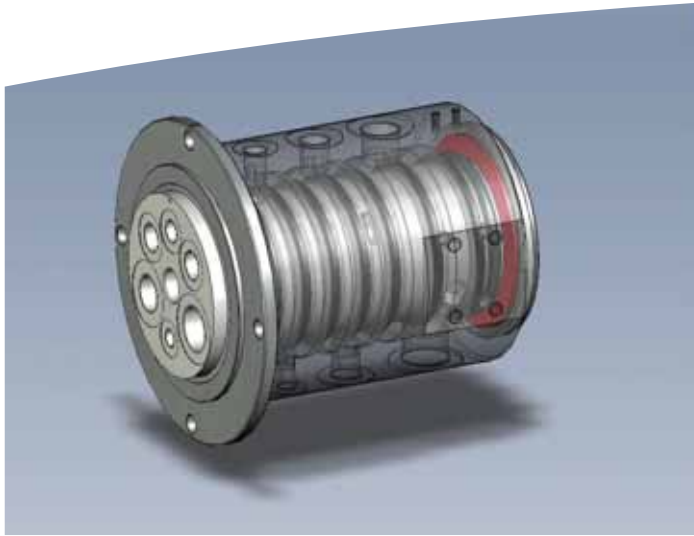


STATOR ROTOR



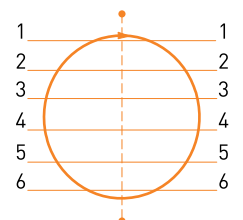
POS	STATOR	ROTOR	DN		WORKING PRESSURE		MAX PRESSURE		FLUID
			mm	inches	bar	PSI	bar	PSI	
1	1"G	1"G	20	[0.79]	380	5500	420	6100	hydraulic oil
2	1"G	1"G	20	[0.79]	380	5500	420	6100	hydraulic oil
3	3/4"G	3/4"G	15	[0.59]	380	5500	420	6100	hydraulic oil
4	3/4"G	3/4"G	15	[0.59]	380	5500	420	6100	hydraulic oil
5	1/2"G	1/2"G	12	[0.47]	380	5500	420	6100	hydraulic oil
6	1/2"G	1/2"G	12	[0.47]	380	5500	420	6100	hydraulic oil

SWIVEL JOINT 6 WAYS COD. D0100060100

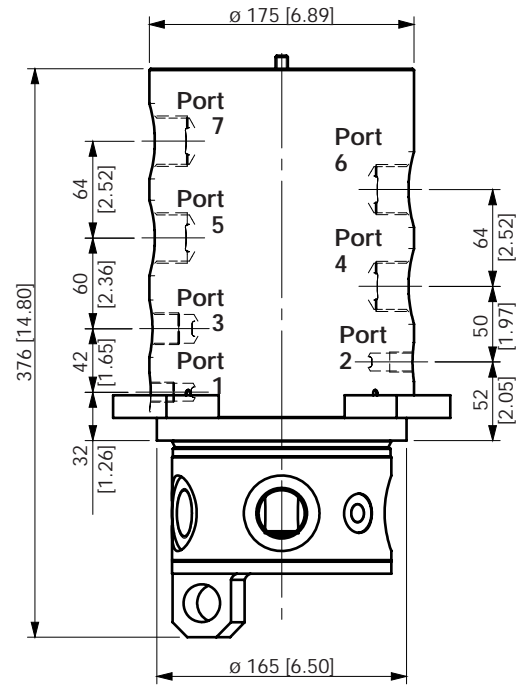
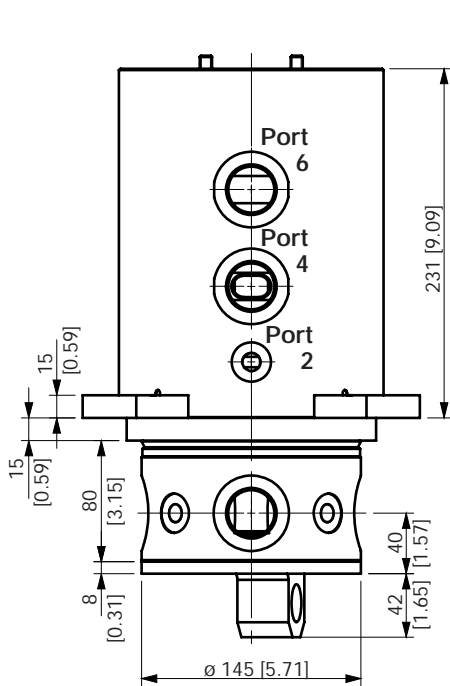
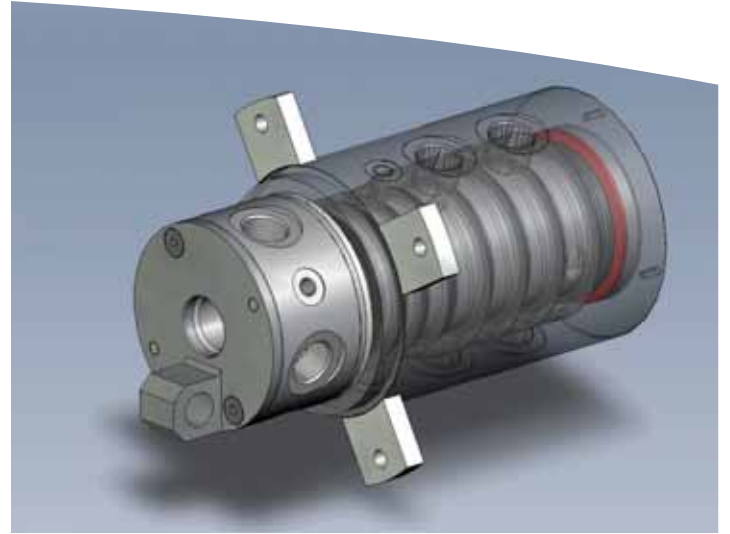
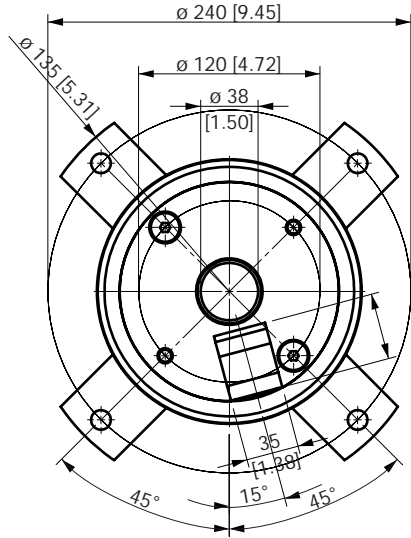


POS	STATOR	ROTOR	DN		WORKING PRESSURE		MAX PRESSURE		FLUID
			mm	inches	bar	PSI	bar	PSI	
1	3/8"G	3/8"G	10	[0.39]	380	5500	420	6100	hydraulic oil
2	1/4"G	1/4"G	10	[0.39]	380	5500	420	6100	hydraulic oil
3	1/2"G	1/2"G	14	[0.55]	380	5500	420	6100	hydraulic oil
4	1/2"G	1/2"G	14	[0.55]	380	5500	420	6100	hydraulic oil
5	3/4"G	3/4"G	18	[0.71]	380	5500	420	6100	hydraulic oil
6	1"G	1"G	22	[0.87]	380	5500	420	6100	hydraulic oil

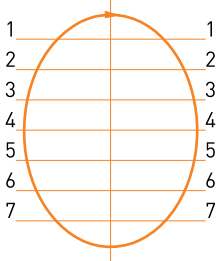
STATOR ROTOR



SWIVEL JOINT 7 WAYS COD. D100070000

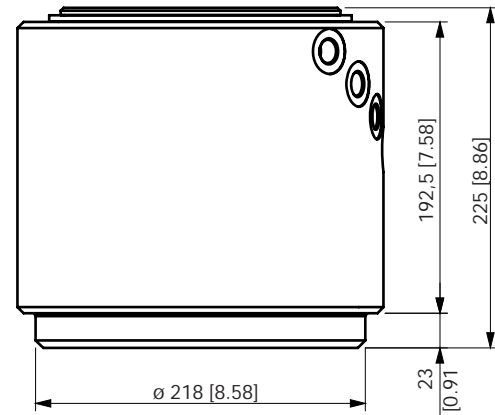
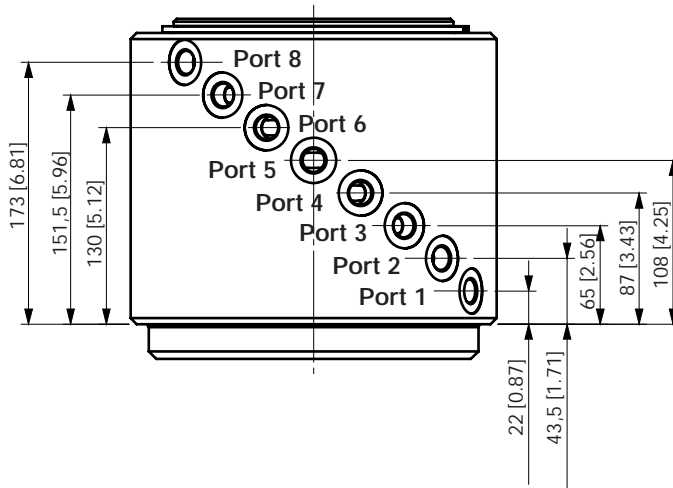
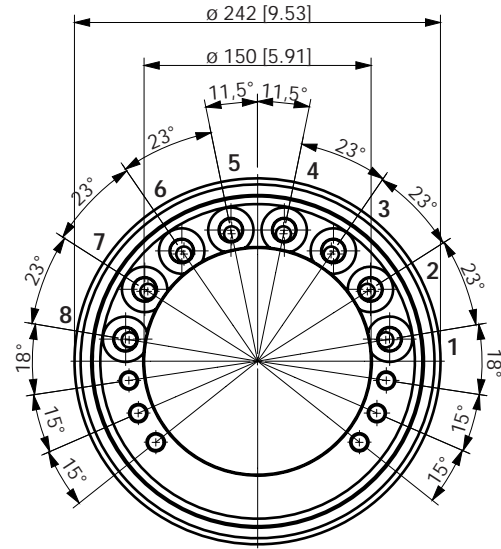
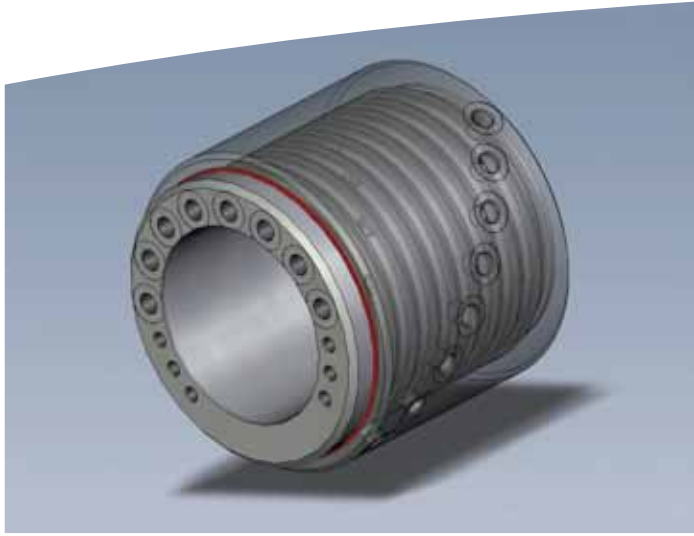


STATOR ROTOR



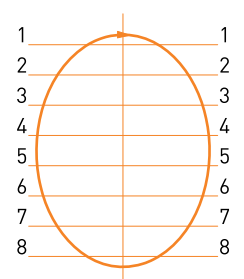
POS	STATOR	ROTOR	DN		WORKING PRESSURE		MAX PRESSURE		FLUID
			mm	inches	bar	PSI	bar	PSI	
1	1/4"G	1/4"G	8	[0.31]	380	5500	420	6100	hydraulic oil
2	1/4"G	1/4"G	8	[0.31]	380	5500	420	6100	hydraulic oil
3	1/2"G	1/2"G	14	[0.55]	380	5500	420	6100	hydraulic oil
4	1"G	1"G	22	[0.87]	380	5500	420	6100	hydraulic oil
5	1"G	1"G	22	[0.87]	380	5500	420	6100	hydraulic oil
6	1"G	1"G	22	[0.87]	380	5500	420	6100	hydraulic oil
7	1"G	1"G	22	[0.87]	380	5500	420	6100	hydraulic oil

SWIVEL JOINT 8 WAYS COD. D0100080000

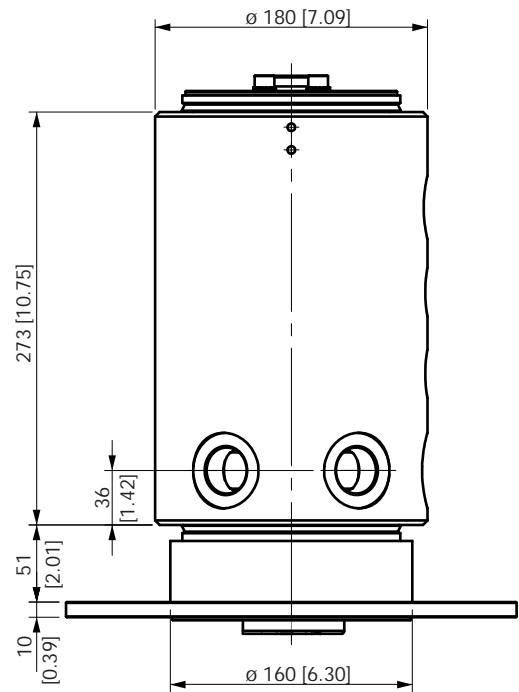
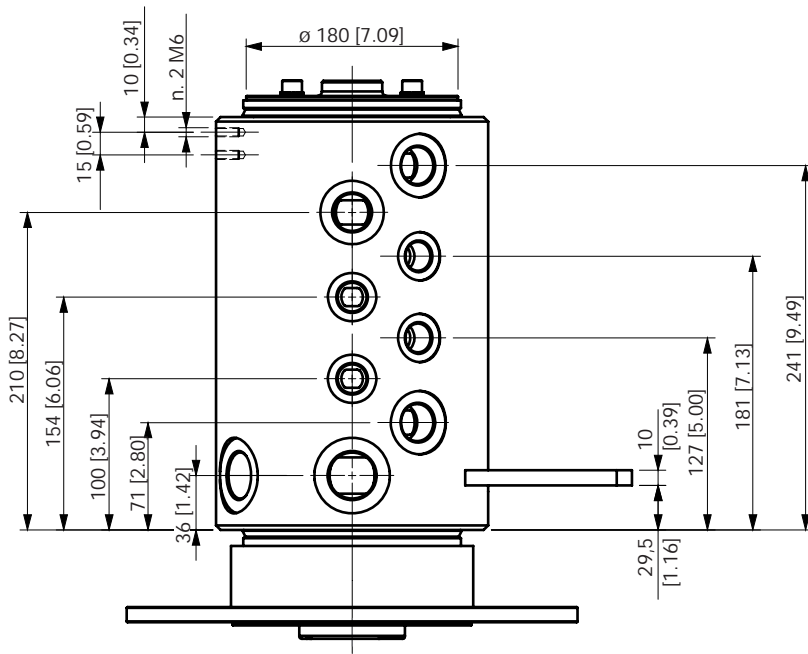
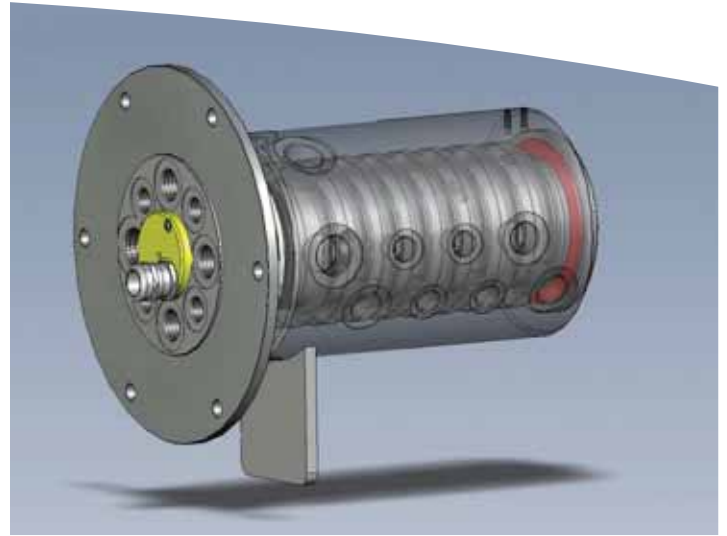
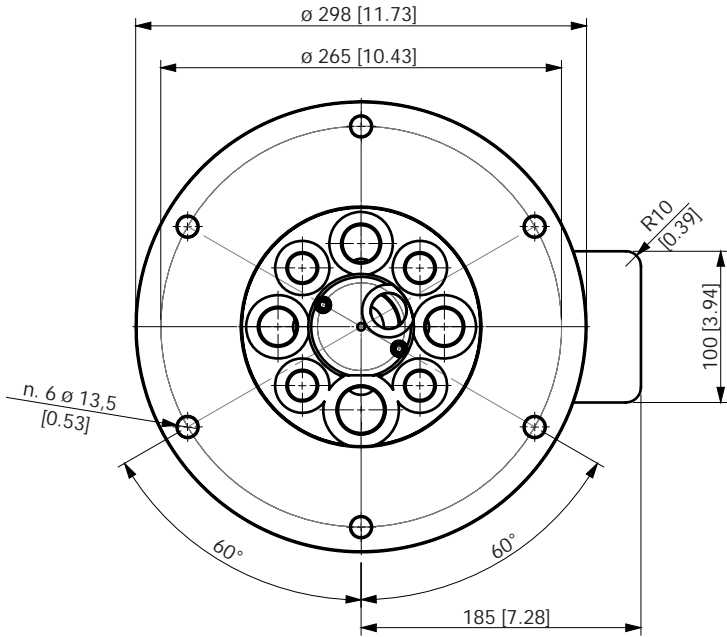


POS	STATOR	ROTOR	DN		WORKING PRESSURE		MAX PRESSURE		FLUID
			mm	inches	bar	PSI	bar	PSI	
1	3/8"G	3/8"G	16	[0.63]	380	5500	420	6100	hydraulic oil
2	3/8"G	3/8"G	16	[0.63]	380	5500	420	6100	hydraulic oil
3	3/8"G	3/8"G	16	[0.63]	380	5500	420	6100	hydraulic oil
4	3/8"G	3/8"G	16	[0.63]	380	5500	420	6100	hydraulic oil
5	3/8"G	3/8"G	12	[0.47]	380	5500	420	6100	hydraulic oil
6	3/8"G	3/8"G	12	[0.47]	380	5500	420	6100	hydraulic oil
7	3/8"G	3/8"G	12	[0.47]	380	5500	420	6100	hydraulic oil
8	3/8"G	3/8"G	12	[0.47]	380	5500	420	6100	hydraulic oil

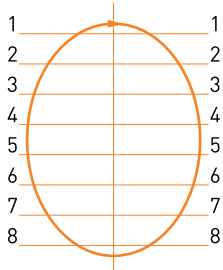
STATOR ROTOR



SWIVEL JOINT 8 WAYS COD. D100080100

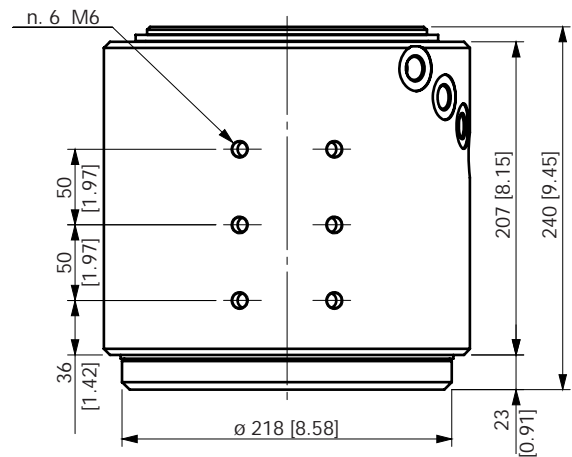
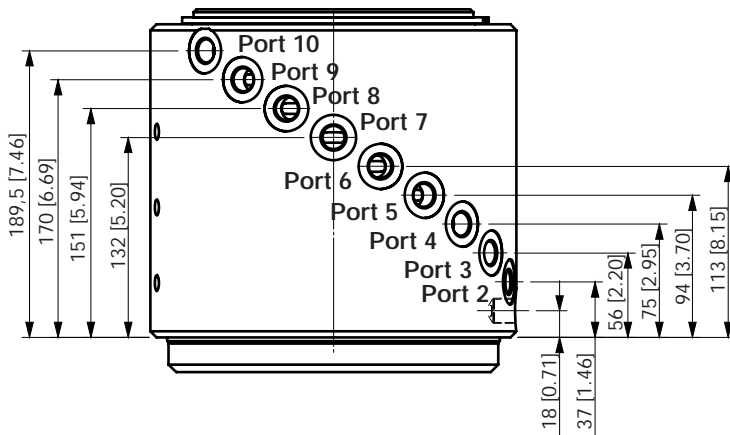
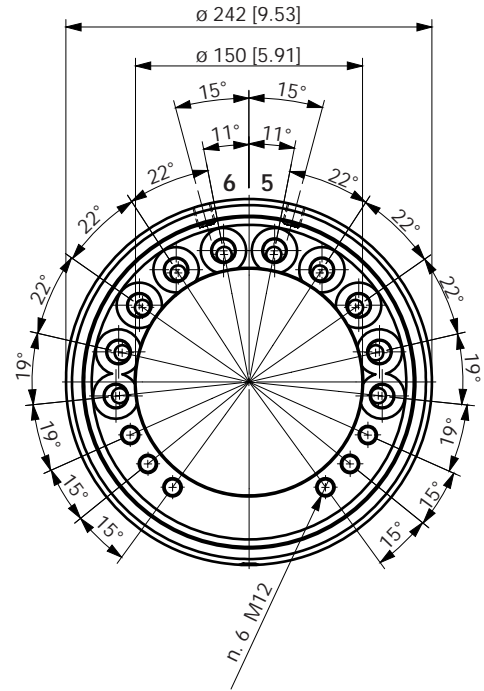
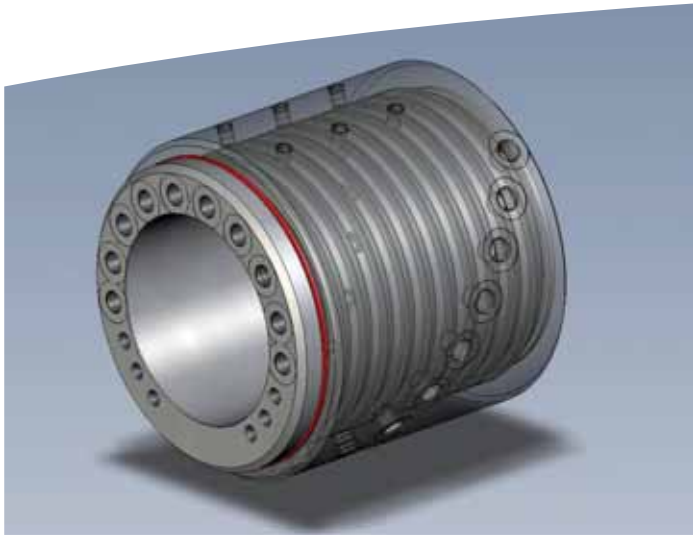


STATOR ROTOR

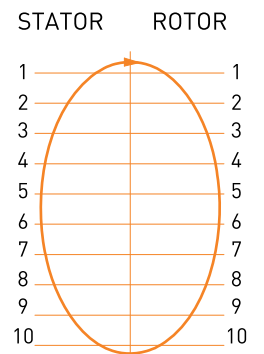


POS	STATOR	ROTOR	DN		WORKING PRESSURE		MAX PRESSURE		FLUID
			mm	inches	bar	PSI	bar	PSI	
1	1"G	1"G	24	[0.94]	380	5500	420	6100	hydraulic oil
2	3/4"G	3/4"G	20	[0.79]	380	5500	420	6100	hydraulic oil
3	1/2"G	1/2"G	16	[0.63]	380	5500	420	6100	hydraulic oil
4	1/2"G	1/2"G	16	[0.63]	380	5500	420	6100	hydraulic oil
5	1/2"G	1/2"G	16	[0.63]	380	5500	420	6100	hydraulic oil
6	1/2"G	1/2"G	16	[0.63]	380	5500	420	6100	hydraulic oil
7	3/4"G	3/4"G	20	[0.79]	380	5500	420	6100	hydraulic oil
8	3/4"G	3/4"G	20	[0.79]	380	5500	420	6100	hydraulic oil

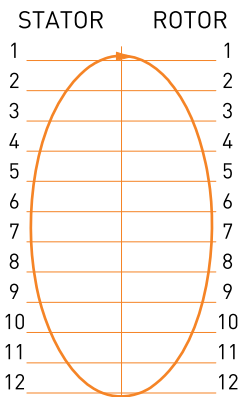
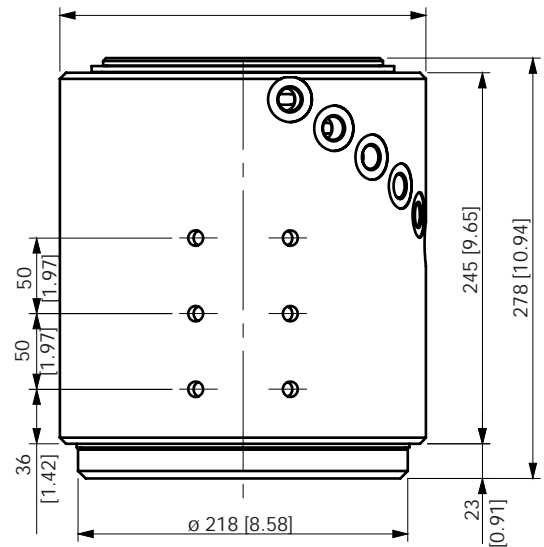
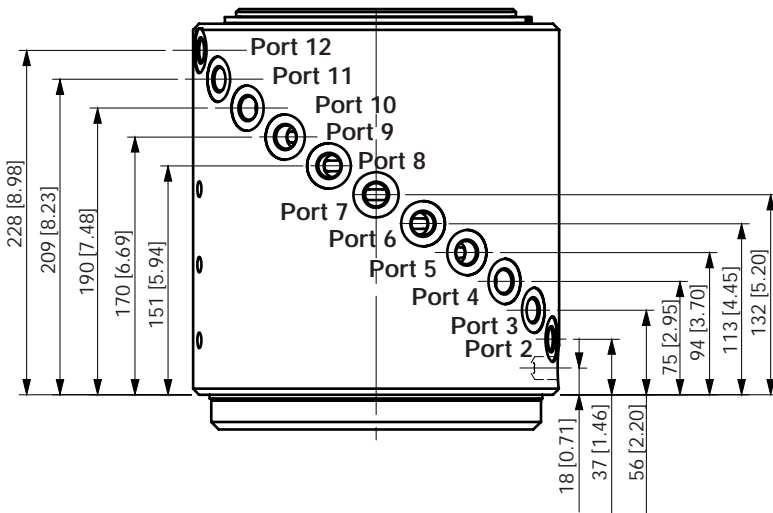
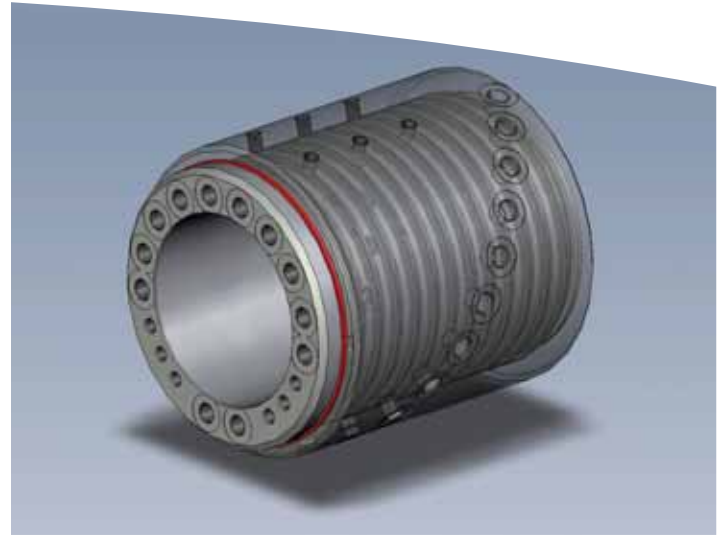
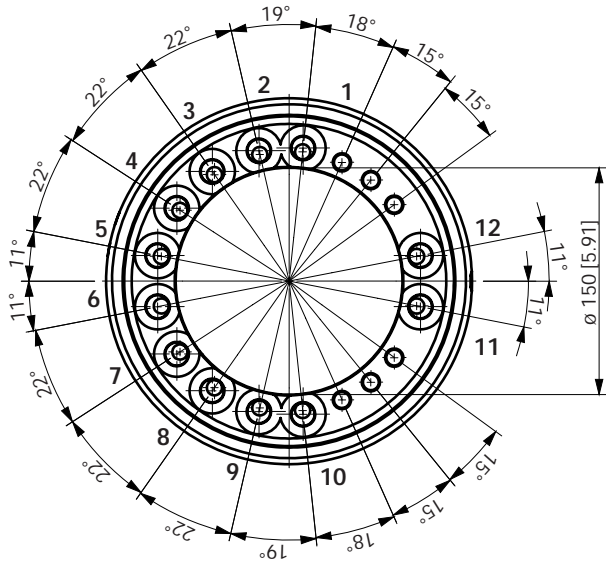
SWIVEL JOINT 10 WAYS COD. D0190100000



POS	STATOR	ROTOR	DN		WORKING PRESSURE		MAX PRESSURE		FLUID
			mm	inches	bar	PSI	bar	PSI	
1	3/8"G	3/8"G	16	[0.63]	380	5500	420	6100	hydraulic oil
2	3/8"G	3/8"G	16	[0.63]	380	5500	420	6100	hydraulic oil
3	3/8"G	3/8"G	16	[0.63]	380	5500	420	6100	hydraulic oil
4	3/8"G	3/8"G	16	[0.63]	380	5500	420	6100	hydraulic oil
5	3/8"G	3/8"G	12	[0.47]	380	5500	420	6100	hydraulic oil
6	3/8"G	3/8"G	12	[0.47]	380	5500	420	6100	hydraulic oil
7	3/8"G	3/8"G	12	[0.47]	380	5500	420	6100	hydraulic oil
8	3/8"G	3/8"G	12	[0.47]	380	5500	420	6100	hydraulic oil
9	3/8"G	3/8"G	12	[0.47]	380	5500	420	6100	hydraulic oil
10	3/8"G	3/8"G	12	[0.47]	380	5500	420	6100	hydraulic oil

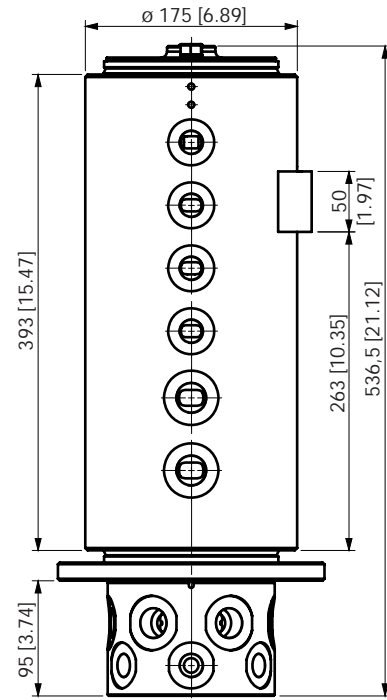
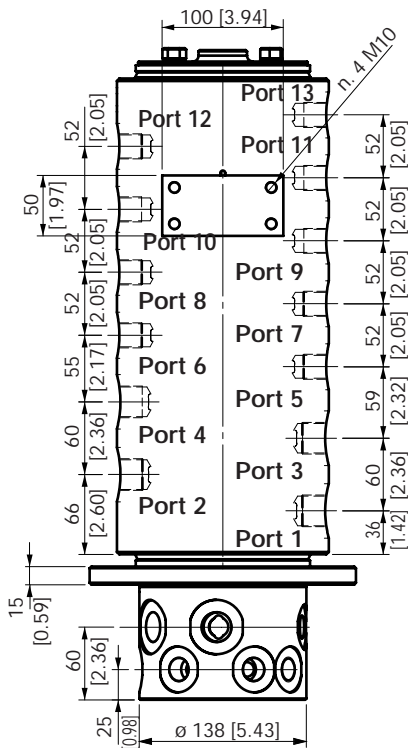
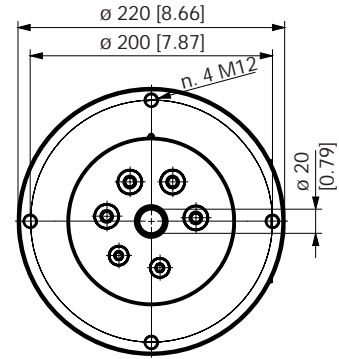
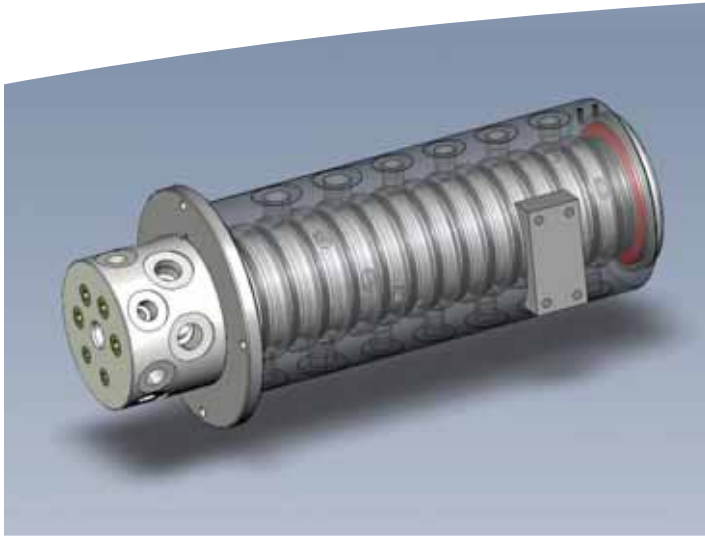


SWIVEL JOINT 12 WAYS COD. D0190120000

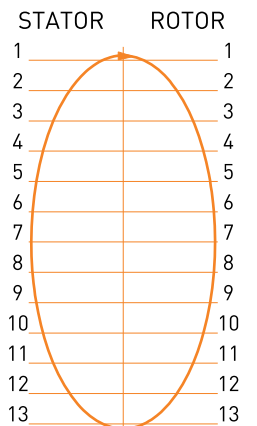


POS	STATOR	ROTOR	DN		WORKING PRESSURE		MAX PRESSURE		FLUID
			mm	inches	bar	PSI	bar	PSI	
1	3/8"G	3/8"G	16	[0.63]	380	5500	420	6100	hydraulic oil
2	3/8"G	3/8"G	16	[0.63]	380	5500	420	6100	hydraulic oil
3	3/8"G	3/8"G	16	[0.63]	380	5500	420	6100	hydraulic oil
4	3/8"G	3/8"G	16	[0.63]	380	5500	420	6100	hydraulic oil
5	3/8"G	3/8"G	12	[0.47]	380	5500	420	6100	hydraulic oil
6	3/8"G	3/8"G	12	[0.47]	380	5500	420	6100	hydraulic oil
7	3/8"G	3/8"G	12	[0.47]	380	5500	420	6100	hydraulic oil
8	3/8"G	3/8"G	12	[0.47]	380	5500	420	6100	hydraulic oil
9	3/8"G	3/8"G	12	[0.47]	380	5500	420	6100	hydraulic oil
10	3/8"G	3/8"G	12	[0.47]	380	5500	420	6100	hydraulic oil
11	3/8"G	3/8"G	12	[0.47]	380	5500	420	6100	hydraulic oil
12	3/8"G	3/8"G	12	[0.47]	380	5500	420	6100	hydraulic oil

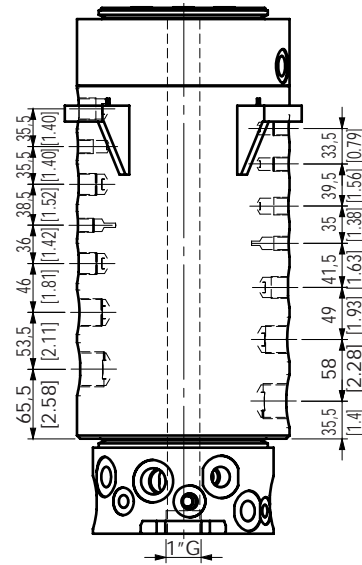
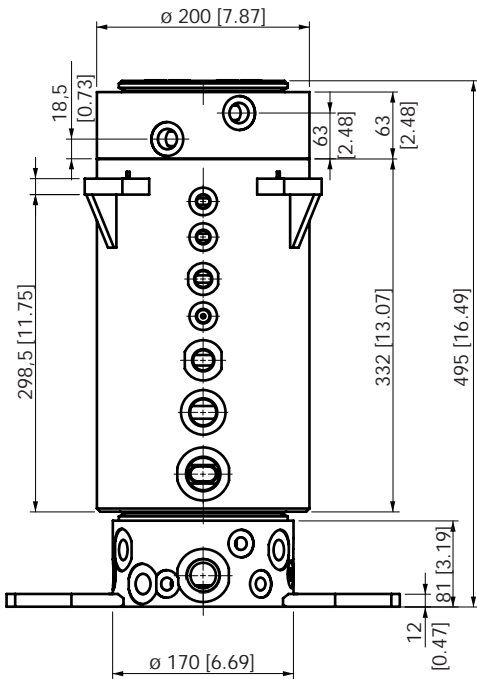
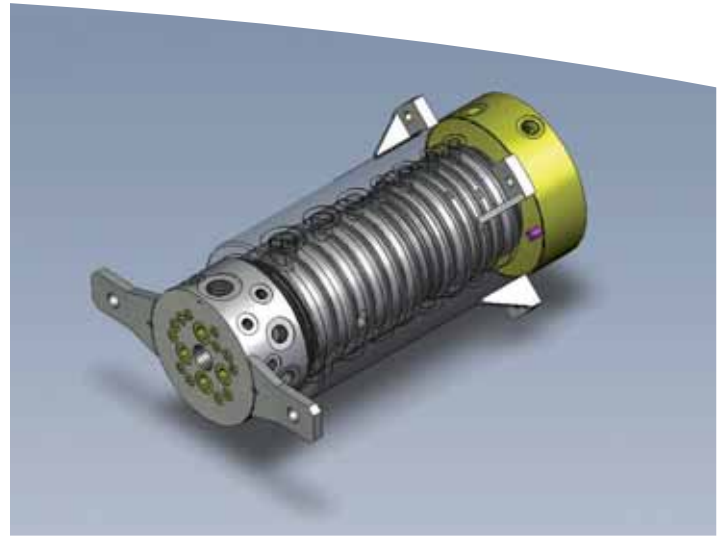
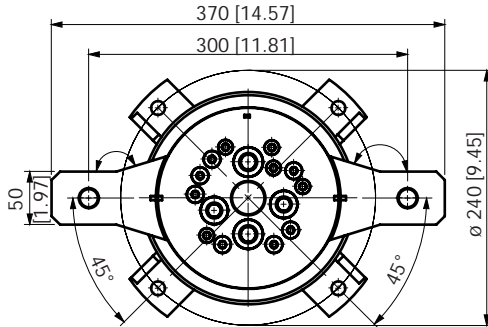
SWIVEL JOINT 13 WAYS COD. D0190130000



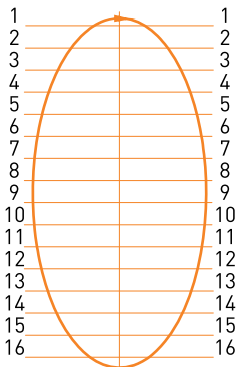
POS	STATOR	ROTOR	DN		WORKING PRESSURE		MAX PRESSURE		FLUID
			mm	inches	bar	PSI	bar	PSI	
1	3/4"G	3/4"G	16	[0.63]	380	5500	420	6100	hydraulic oil
2	3/4"G	3/4"G	16	[0.63]	380	5500	420	6100	hydraulic oil
3	3/4"G	3/4"G	16	[0.63]	380	5500	420	6100	hydraulic oil
4	3/4"G	3/4"G	16	[0.63]	380	5500	420	6100	hydraulic oil
5	1/2"G	1/2"G	12	[0.47]	380	5500	420	6100	hydraulic oil
6	1/2"G	1/2"G	12	[0.47]	380	5500	420	6100	hydraulic oil
7	1/2"G	1/2"G	12	[0.47]	380	5500	420	6100	hydraulic oil
8	1/2"G	1/2"G	12	[0.47]	380	5500	420	6100	hydraulic oil
9	1/2"G	1/2"G	12	[0.47]	380	5500	420	6100	hydraulic oil
10	1/2"G	1/2"G	12	[0.47]	380	5500	420	6100	hydraulic oil
11	1/2"G	1/2"G	12	[0.47]	380	5500	420	6100	hydraulic oil
12	1/2"G	1/2"G	12	[0.47]	380	5500	420	6100	hydraulic oil
13	1/2"G	1/2"G	12	[0.47]	380	5500	420	6100	hydraulic oil



SWIVEL JOINT 16 WAYS COD. D0125160100



STATOR ROTOR



6POS	STATOR	ROTOR	WORKING PRESSURE		MAX PRESSURE		FLUID
			bar	PSI	bar	PSI	
1	3/4"G	3/4"G	0	0	420	6100	hydraulic oil
2	3/4"G	3/4"G	270	4000	420	6100	hydraulic oil
3	3/4"G	3/4"G	160	2300	420	6100	hydraulic oil
4	3/4"G	3/4"G	160	2300	420	6100	hydraulic oil
5	1/2"G	1/2"G	175	2500	420	6100	hydraulic oil
6	1/2"G	1/2"G	175	2500	420	6100	hydraulic oil
7	1/2"G	1/2"G	60	900	420	6100	hydraulic oil
8	1/2"G	1/2"G	60	900	420	6100	hydraulic oil
9	1/2"G	1/2"G	0	0	420	6100	hydraulic oil
10	1/2"G	1/2"G	0	0	420	6100	hydraulic oil
11	1/2"G	1/2"G	0	0	420	6100	water + antifreeze
12	1/2"G	1/2"G	0	0	420	6100	water + antifreeze
13	1/2"G	1/2"G	28	400	420	6100	hydraulic oil
14	1/2"G	1/2"G	28	400	420	6100	hydraulic oil
15	1/2"G	1/2"G	20	300	420	6100	hydraulic oil
16	1/2"G	1/2"G	20	300	420	6100	hydraulic oil

OFFER INQUIRY

Date _____

Quantity _____

Company

Company: _____

Address: _____

Zip code: _____ City: _____ Country: _____

Contact

Name: _____

Department: _____

E-mail: _____

Telephone: _____ Fax: _____

Technical information

Working conditions

Application: _____

Environment Temperature (°F): Min: _____ Max: _____

Usage site: _____

Data of the hydraulic part

Ways	Port dimension		Fluid type pressure psi (bar)	Max pressure psi (bar)	Working fluid
	Stator	Rotor			

Total number of ways: _____

Paint

No
 Yes
 If Yes, color _____ Kind of paint: _____

Remarks about the hydraulic part

Informations about the electrical part

Additional employment conditions:

Operating speed (rpm): _____

Humidity: _____

Mode of operations: _____

Data of electrical part

Ways	Amperage (A)	Operating Voltage (V)	Transition resistance (mΩ)	Cabel type	Cross section	
					(mm ²)	[in ²]

Total number of transition paths: _____

Mechanical informations

Lenght of cable brush side (mm) [inch]: _____ Lenght of cable slip-ring side (mm) [inch]: _____

Connectors: No Yes Connector type: _____

Total high (mm) [inch]: _____ Total cross section (mm²) [inch²]: _____

Protection type IP _____

Max revolution (1/min): _____ continuous oscillating chopping

Connection surface treatment: Plain brass Nickel plated Gold plated Silver plated

Remarks about the electrical part



Young Powertech Inc
3060 Plaza Drive # 107
Garnet Valley PA 19061
Tel: (610) 558-0760
Fax: (610) 558-0762
e-mail: info@yptius.com