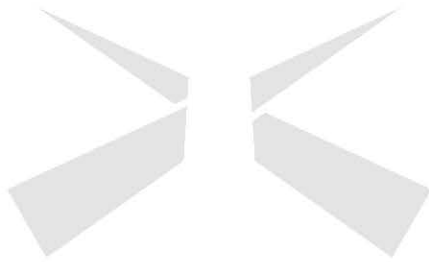


# ***YWTD series***

**WHEEL DRIVES**

# Young Powertech



YOUNG POWERTECH RESERVES THE RIGHT TO  
MAKE ALTERATIONS TO ITS  
PRODUCTS AT ANY TIME WITHOUT NOTICE.

YOUNG POWERTECH CANNOT BE  
RESPONSIBLE FOR ANY ERRORS OR  
OMISSIONS IN THIS CATALOG OR ANY  
PRINTED MATERIAL.

# INDEX

<b>GENERAL INFORMATION</b>	<b>page</b>
The company	<b>2</b>
YWTD hydrostatic drive series	<b>3</b>
<b>HYDRAULIC MOTORS TECHNICAL SHEETS</b>	
YWTD 13	<b>4</b>
YWTD 17 T2	<b>5</b>
YWTD 17 T3	<b>6</b>
YWTD 36	<b>7</b>
YWTD 40	<b>8</b>
YWTD 60	<b>9</b>
YWTD 80	<b>10</b>
YWTD 110	<b>11</b>
YWTD 160	<b>12</b>
YWTD 220	<b>13</b>
YWTD 330 A	<b>14</b>
YWTD 330 B	<b>15</b>
YWTD 440	<b>16</b>
YWTD 550	<b>17</b>
YDBS 01	<b>18</b>

## THE COMPANY

### Who We Are

Young Powertech is a manufacturer and distributor of Hydraulic, Mechanical, Electrical and Electronic assemblies for the Construction Farming, Marine, Mining and Industrial equipment. Young Powertech was started by people with decades of experience in the field and have owned and run similar companies and dedicated to bringing products and service to the customer at higher level. With Headquarter in the USA and branches around the world, we will be able to service any requirements you may have.

### Our Vision

To become one of the leading complete system Manufacturer/Distributor for our customers to reduce cost while improving system performance and customer satisfaction.

### Our mission

Our mission is deliver the best products, service and prices to our customers while creating long term partnerships and relationships with companies and individuals around the world.

# YWTD HYDROSTATIC DRIVE SERIES

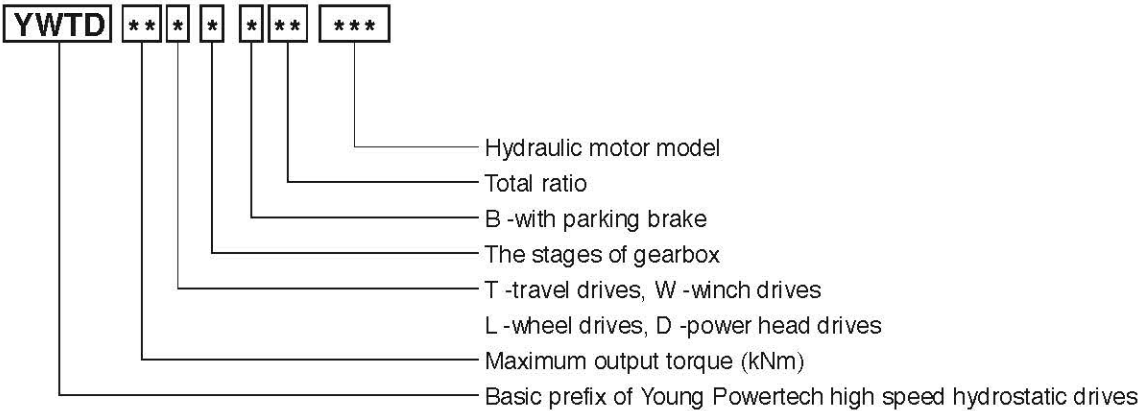
## Brief Introduction

The YWTD Hydrostatic Drives is one of the most advanced design of planetary reducer today on the market. With our patented technology and design experience our products have a very high efficiency, extreme resistance to shock loads and above average performance. This series can be directly installed in wheel drives, track drives, winches and other application where compactness is required.

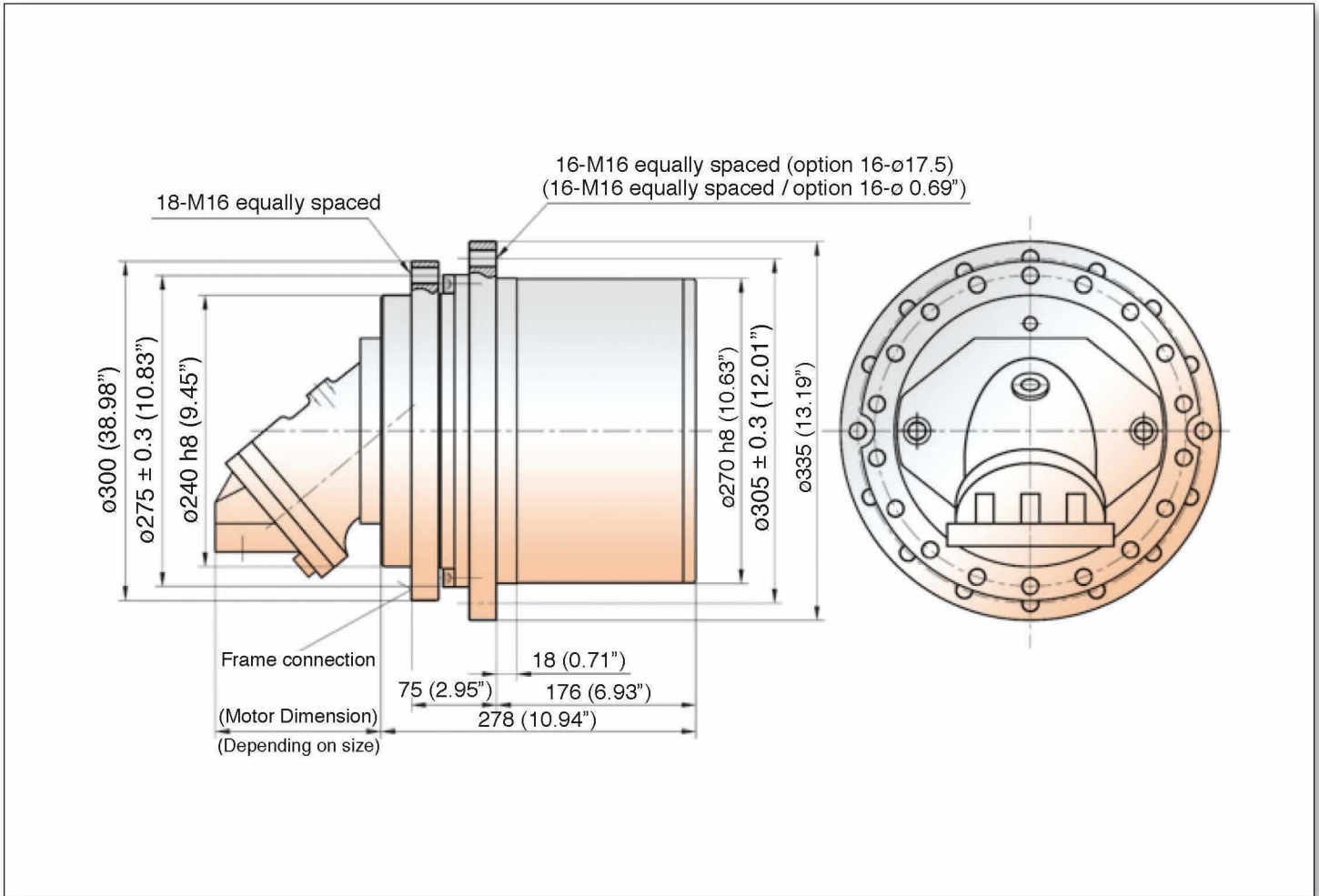
Our products have been successfully used for many years around the world in every type of equipment from construction to mining, farming, marine deck equipment and winches and are interchangeable with many competitor products.

The drives in this catalogs are only the STANDARD production but we have many SPECIAL units made to fit customer requirements and we are open to continue design units to meet today equipment.

## Model options



## DIMENSIONS

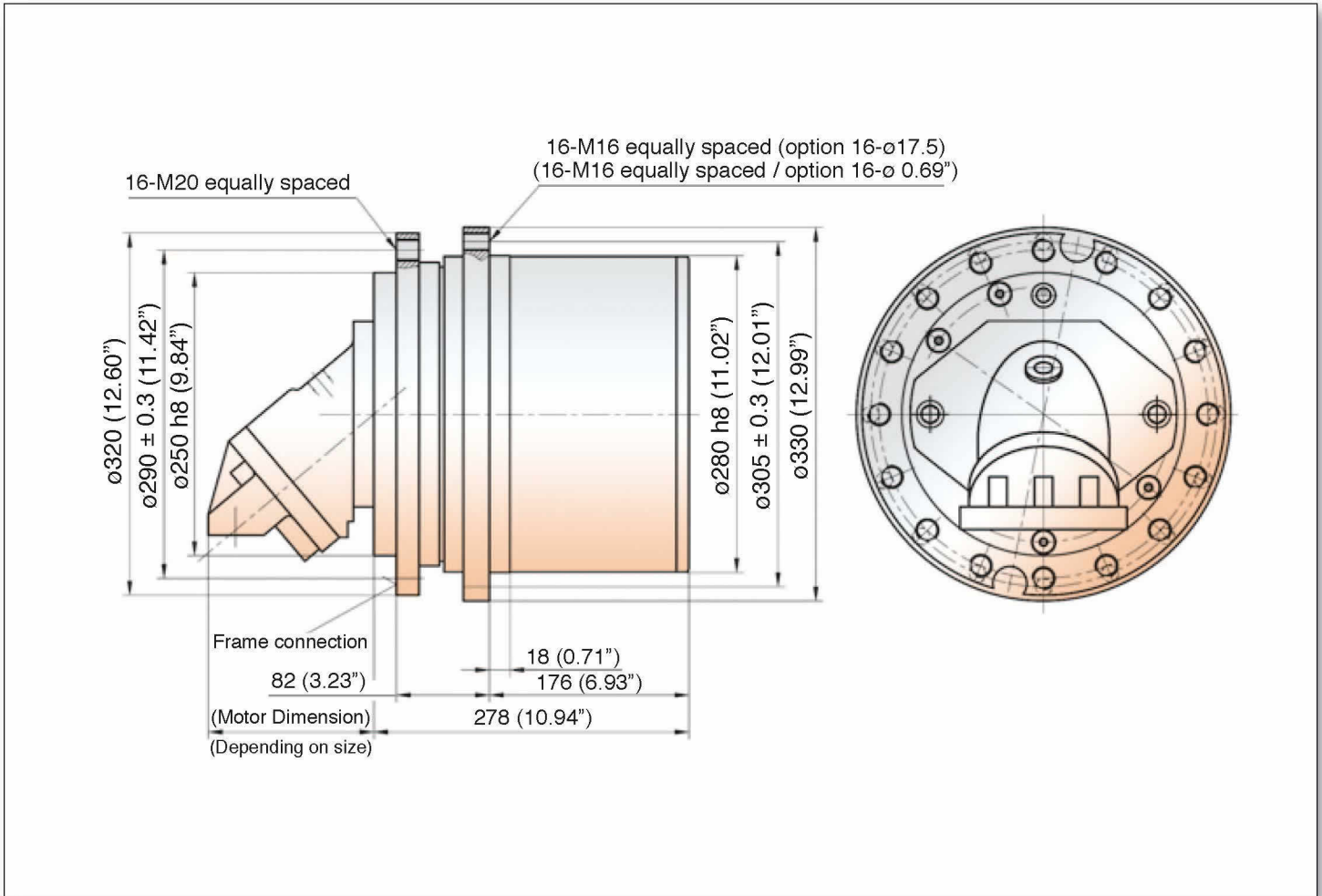


### Technical data

Output Torque		Ratio		Motor connection		Max. Input Speed	Braking Torque		Brake Pressure	
$T_{max}$ Nm	$T_{max}$ lb/in	i				r/min	$T_{Br max}$ Nm	$T_{Br max}$ lb/in	MPa	psi
<b>13000</b>	<b>114500</b>	21.57	25 30 38	A2FE45 A2FE56 A2FE63	A6VE28 A6VE55 A6VE45	4000	220-350	1900-3050	1.8 - 5	261-725

- Gearbox Output rotation is reverse of input
- Different motor connection, ratios and mounting available upon request.

## DIMENSIONS

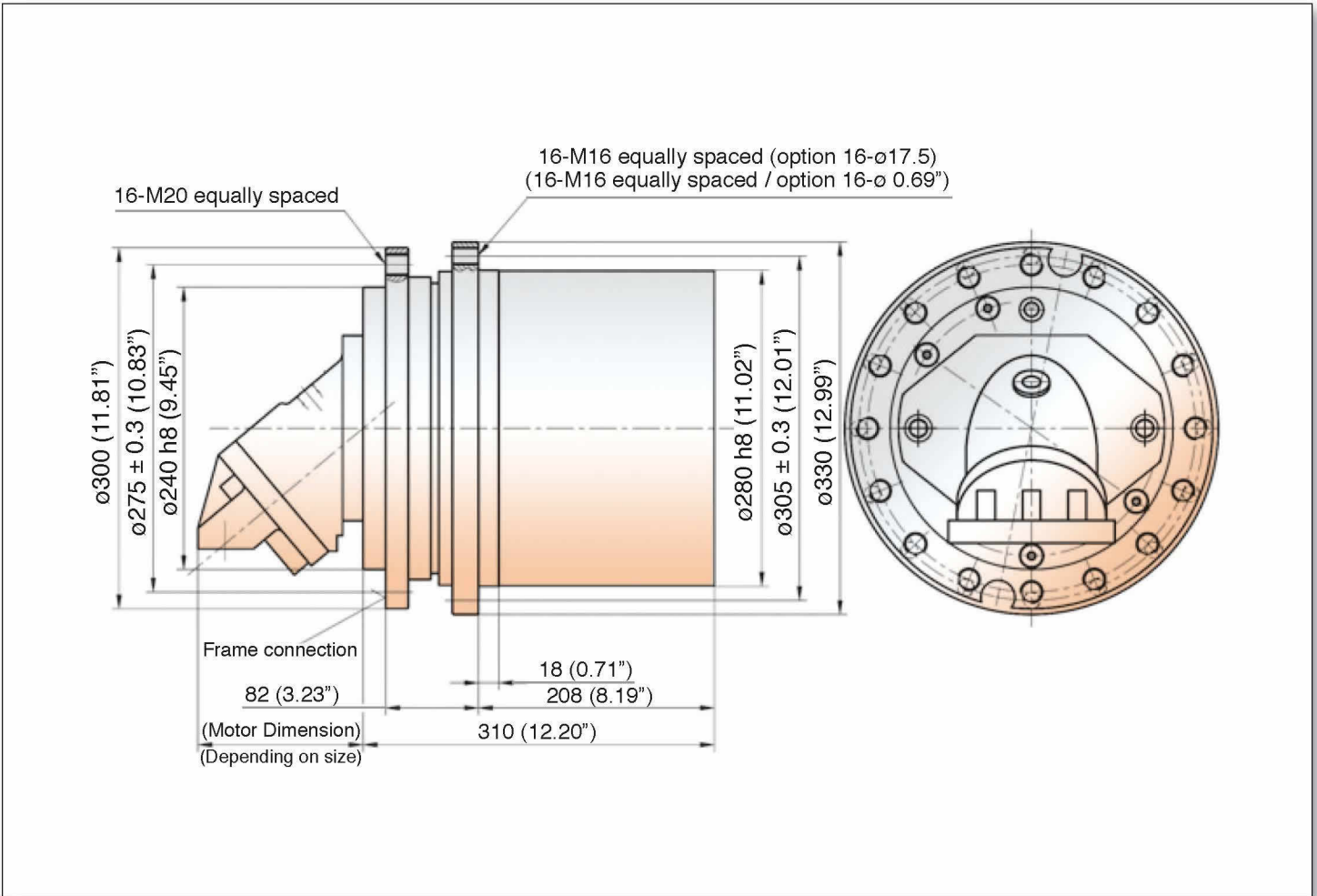


### Technical data

Output Torque		Ratio i	Motor connection		Max. Input Speed r/min	Braking Torque		Brake Pressure	
$T_{max}$ Nm	$T_{max}$ lb/in					$T_{Br max}$ Nm	$T_{Br max}$ lb/in	MPa	psi
<b>13000</b>	<b>114500</b>	27.4 31.84	A2FE45	A6VE28	4000	220-350	1900-3050	1.8 - 5	261-725
		37.7 47.77 53.7	A2FE56	A6VE55					
			A2FE63	A10VE45					

- Gearbox Output rotation is reverse of input
- Different motor connection, ratios and mounting available upon request.

## DIMENSIONS



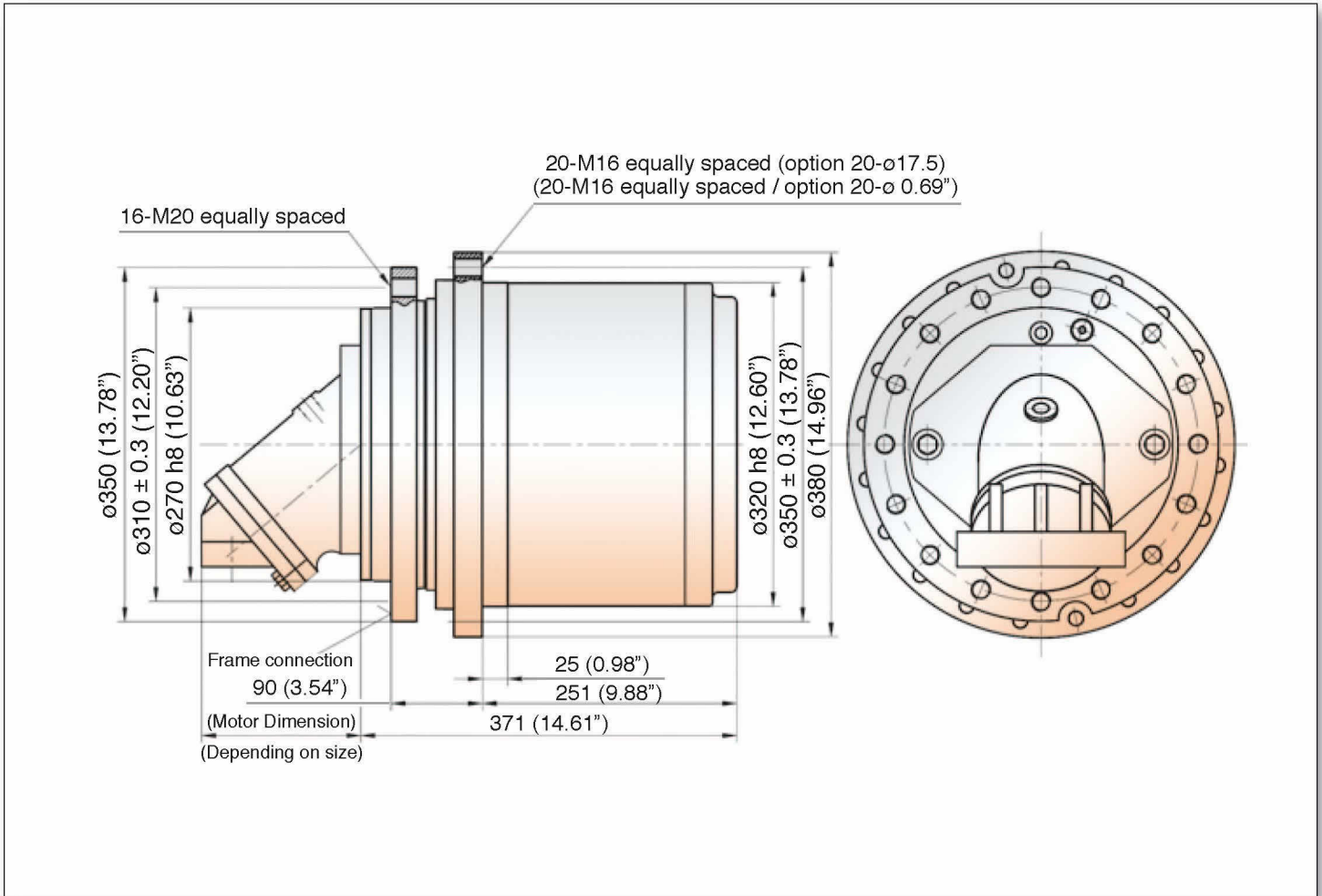
### Technical data

Output Torque		Ratio			Motor connection		Max. Input Speed	Braking Torque		Brake Pressure	
$T_{max}$ Nm	$T_{max}$ lb/in	i					r/min	$T_{Br max}$ Nm	$T_{Br max}$ lb/in	MPa	psi
<b>17000</b>	<b>150000</b>	63.4	69.84	78.2	A2FE45	A6VE28	4000	220-450	1900-3950	1.8 - 5	261-725
		89.51	105.68	130.66	A2FE56	A6VE55					
		143.5	169.31	209.2	A2FE63	A10VE45					

- Gearbox Output rotation is reverse of input
- Different motor connection, ratios and mounting available upon request.



## DIMENSIONS

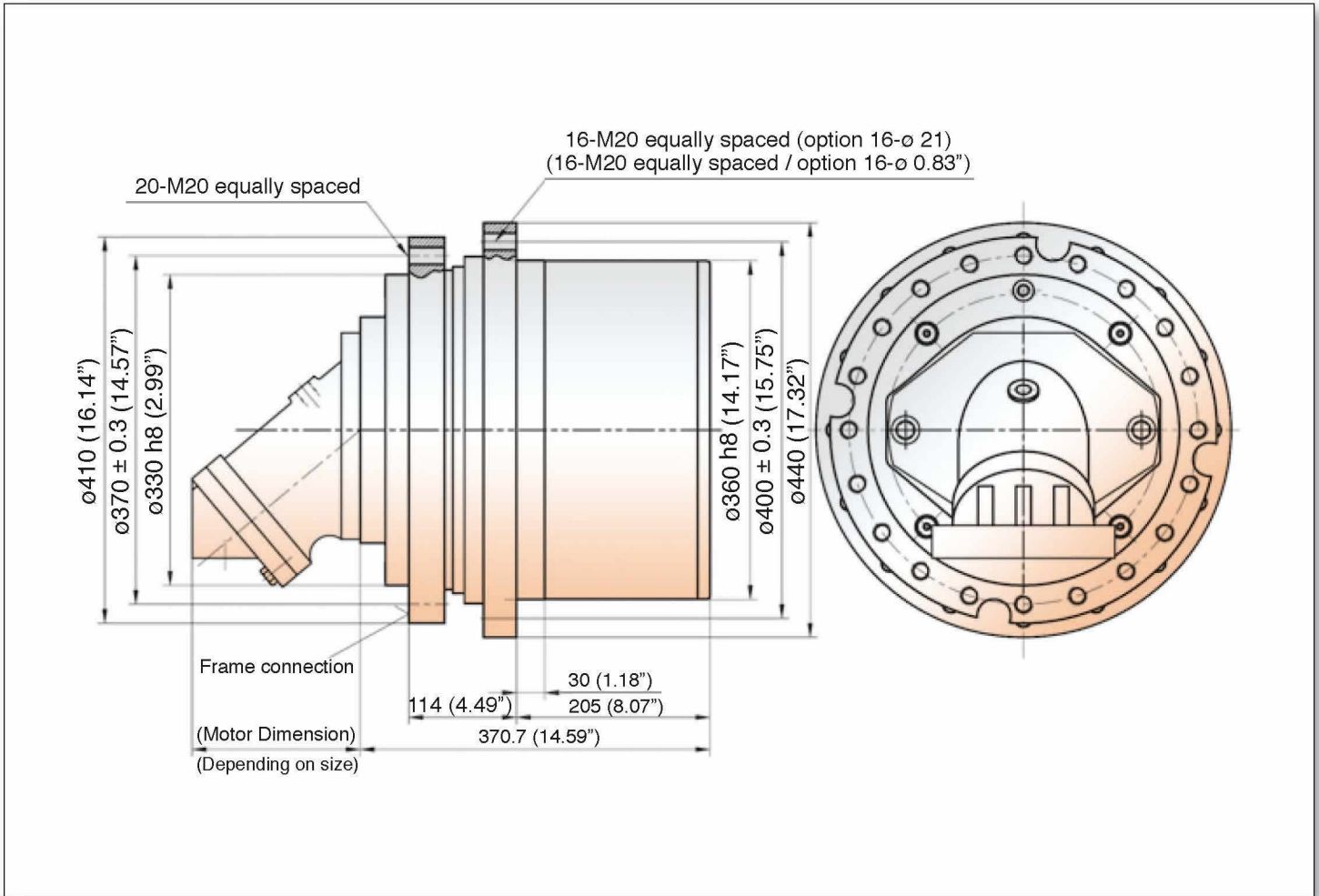


### Technical data

Output Torque		Ratio i	Motor connection		Max. Input Speed r/min	Braking Torque		Brake Pressure	
$T_{max}$ Nm	$T_{max}$ Lb/In					$T_{Br max}$ Nm	$T_{Br max}$ lb/in	MPa	psi
<b>36000</b>	<b>318000</b>	67.75 78 92.1	A2FE56	A6VE55 A6VE80	4000	400-750	3500-6600	1.8 - 5	261-725
		106 116.8 133.7	A2FE63						
		143.8 158.6 181.4	A2FE80 A2FE90						

- Gearbox Output rotation is reverse of input
- Different motor connection, ratios and mounting available upon request.

## DIMENSIONS

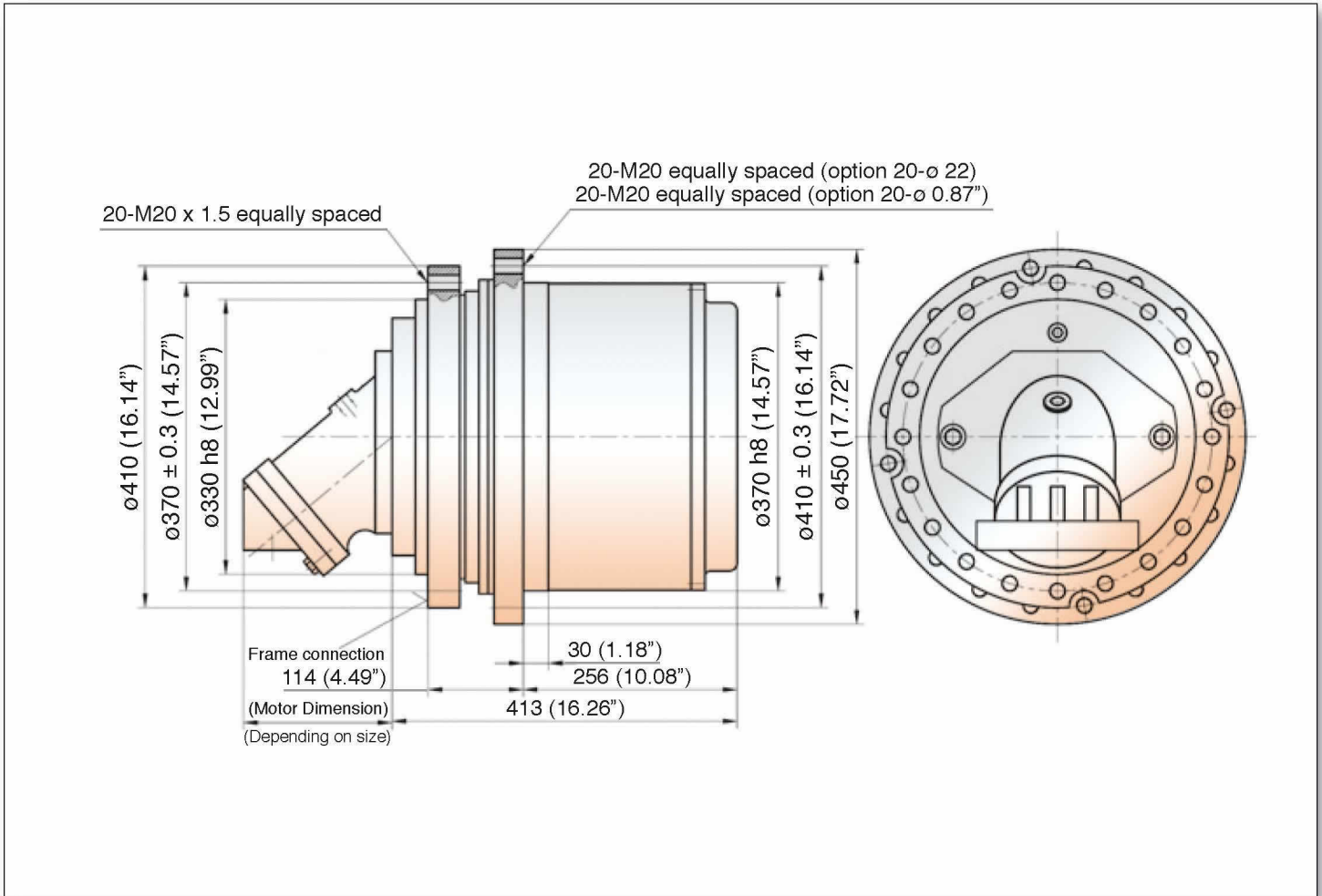


### Technical data

Output Torque		Ratio			Motor connection		Max. Input Speed	Braking Torque		Brake Pressure	
$T_{max}$ Nm	$T_{max}$ lb/in	i					r/min	$T_{Br max}$ Nm	$T_{Br max}$ lb/in	MPa	psi
<b>40000</b>	<b>353500</b>	31.41	38.97	45.97	A2FE80 A2FE90 A2FE107 A2FE125	A6VE80 A6VE107	4000	450-800	3950-7050	1.8 - 5	261-725

- Gearbox Output rotation is reverse of input
- Different motor connection, ratios and mounting available upon request.

## DIMENSIONS

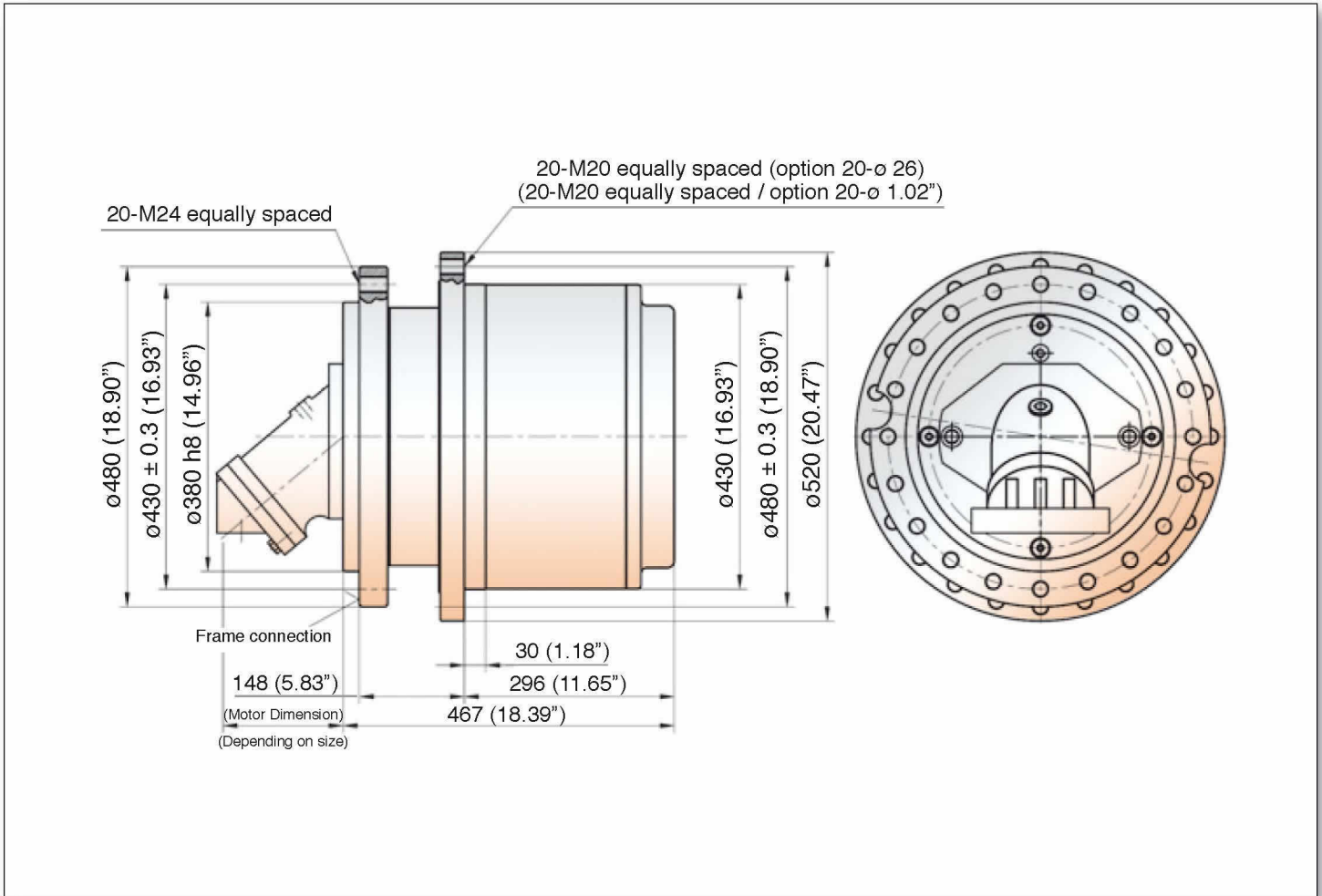


### Technical data

Output Torque		Ratio i	Motor connection		Max. Input Speed r/min	Braking Torque		Brake Pressure	
T <sub>max</sub> Nm	T <sub>max</sub> lb/in					T <sub>Br max</sub> Nm	T <sub>Br max</sub> lb/in	MPa	psi
<b>60000</b>	<b>530000</b>	86 95 104.6	A2FE80	A6VE80	4000	450-800	3950-7050	1.8 - 5	261-725
		114.2 133.4 171.8	A2FE90	A6VE107					
			A2FE107						
			A2FE125						

- Gearbox Output rotation is reverse of input
- Different motor connection, ratios and mounting available upon request.

## DIMENSIONS

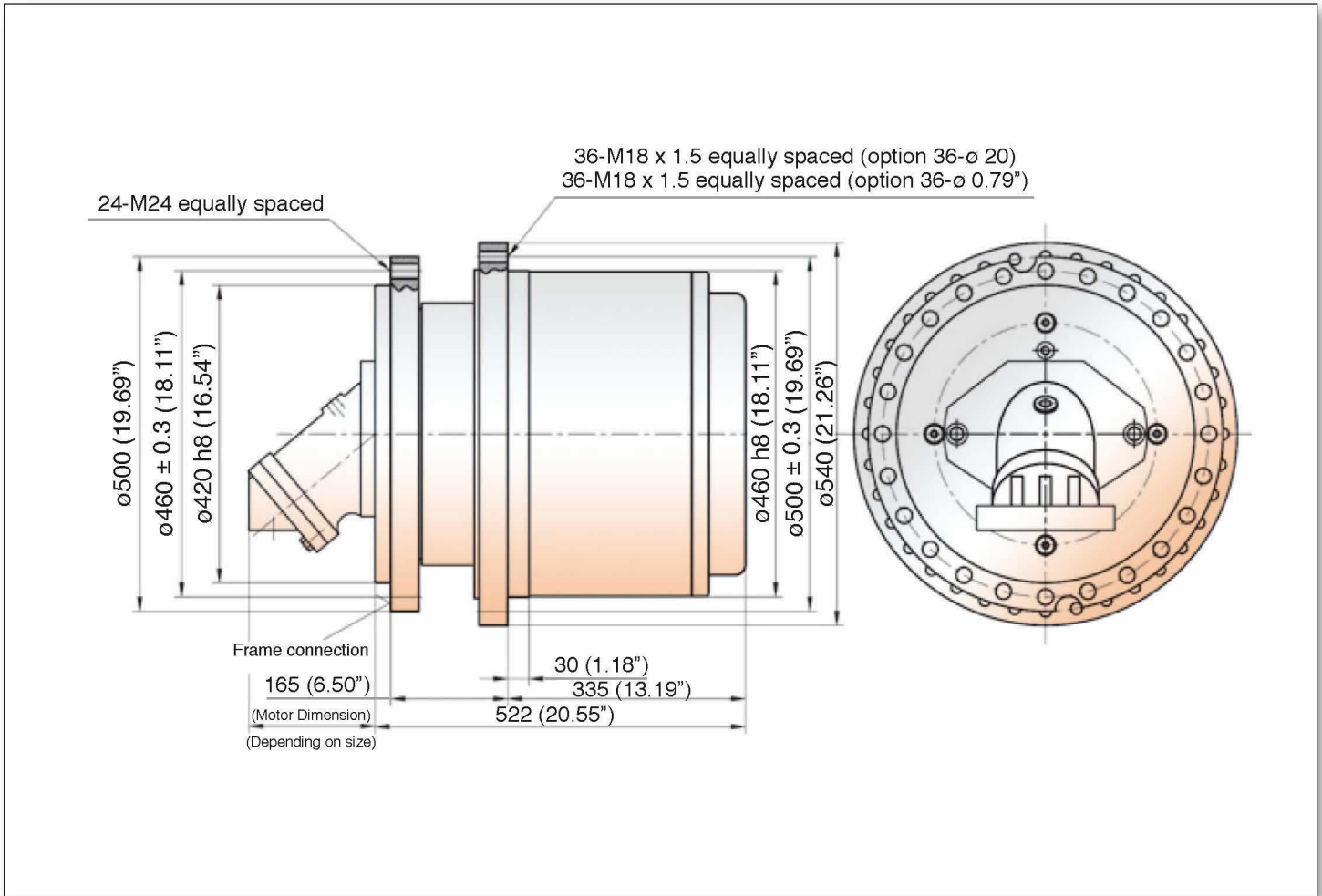


### Technical data

Output Torque		Ratio			Motor connection		Max. Input Speed	Braking Torque		Brake Pressure	
$T_{max}$ Nm	$T_{max}$ lb/in	i					r/min	$T_{Br max}$ Nm	$T_{Br max}$ lb/in	MPa	psi
<b>80000</b>	<b>707000</b>	76.6	85.4	98	A2FE107	A6VE107 A6VE160	4000	600-1100	5300-9700	1.8 - 5	261-725
		115.6	142.7	170.1	A2FE125						
		187.2	211.5		A2FE160						
					A2FE180						

- Gearbox Output rotation is reverse of input
- Different motor connection, ratios and mounting available upon request.

## DIMENSIONS

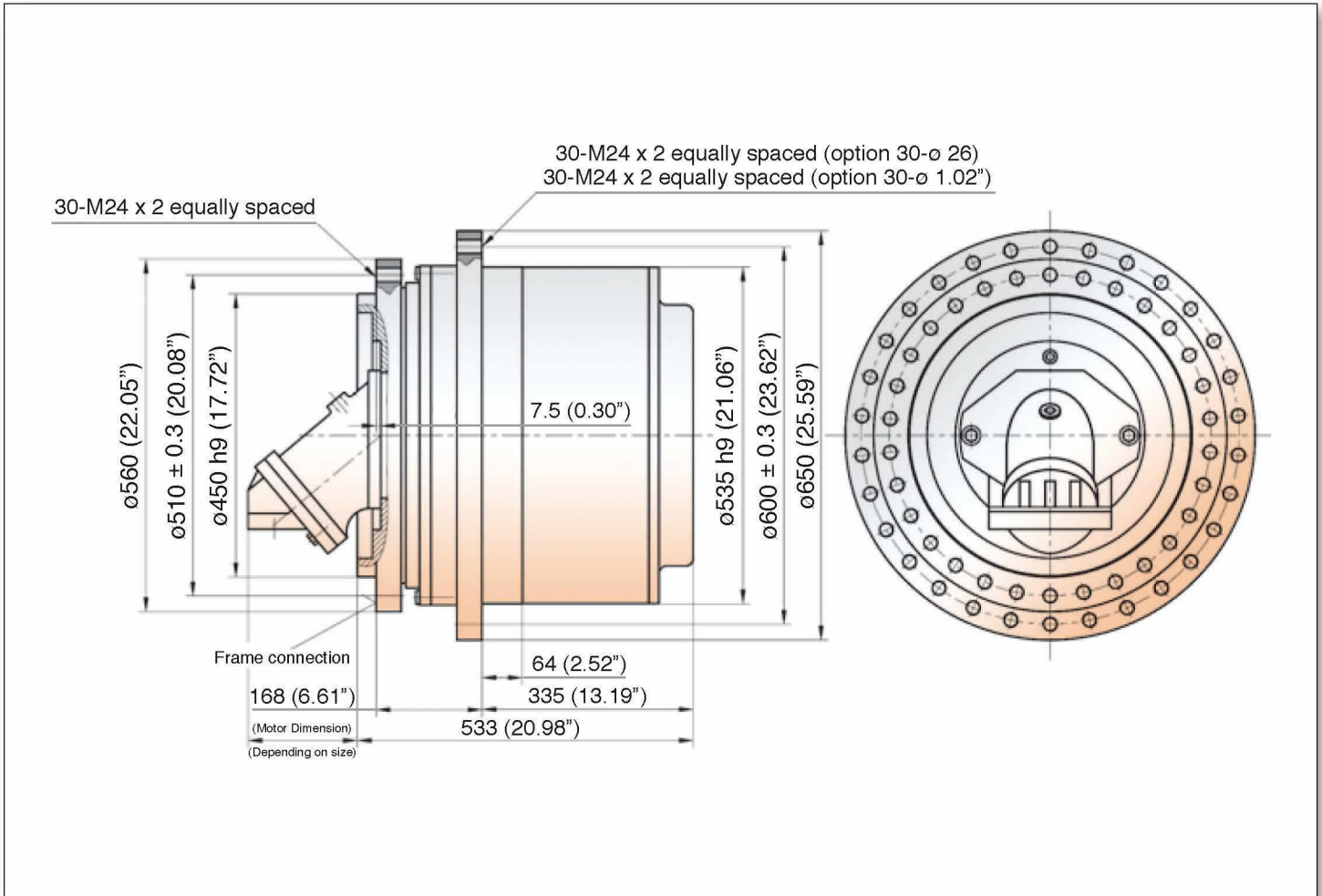


### Technical data

Output Torque		Ratio i	Motor connection		Max. Input Speed r/min	Braking Torque		Brake Pressure	
$T_{max}$ Nm	$T_{max}$ lb/in					$T_{Br max}$ Nm	$T_{Br max}$ lb/in	MPa	psi
<b>110000</b>	<b>972000</b>	78.1 87.5 97.4	A2FE107	A6VE107 A6VE160	4000	800-1200	7050-10600	1.8 - 5	261-725
		103.4 115 122.8	A2FE125						
		134.3 146.6 156.9	A2FE160						
		173 184.6 190.4 202	A2FE180						

- Gearbox Output rotation is reverse of input
- Different motor connection, ratios and mounting available upon request.

## DIMENSIONS

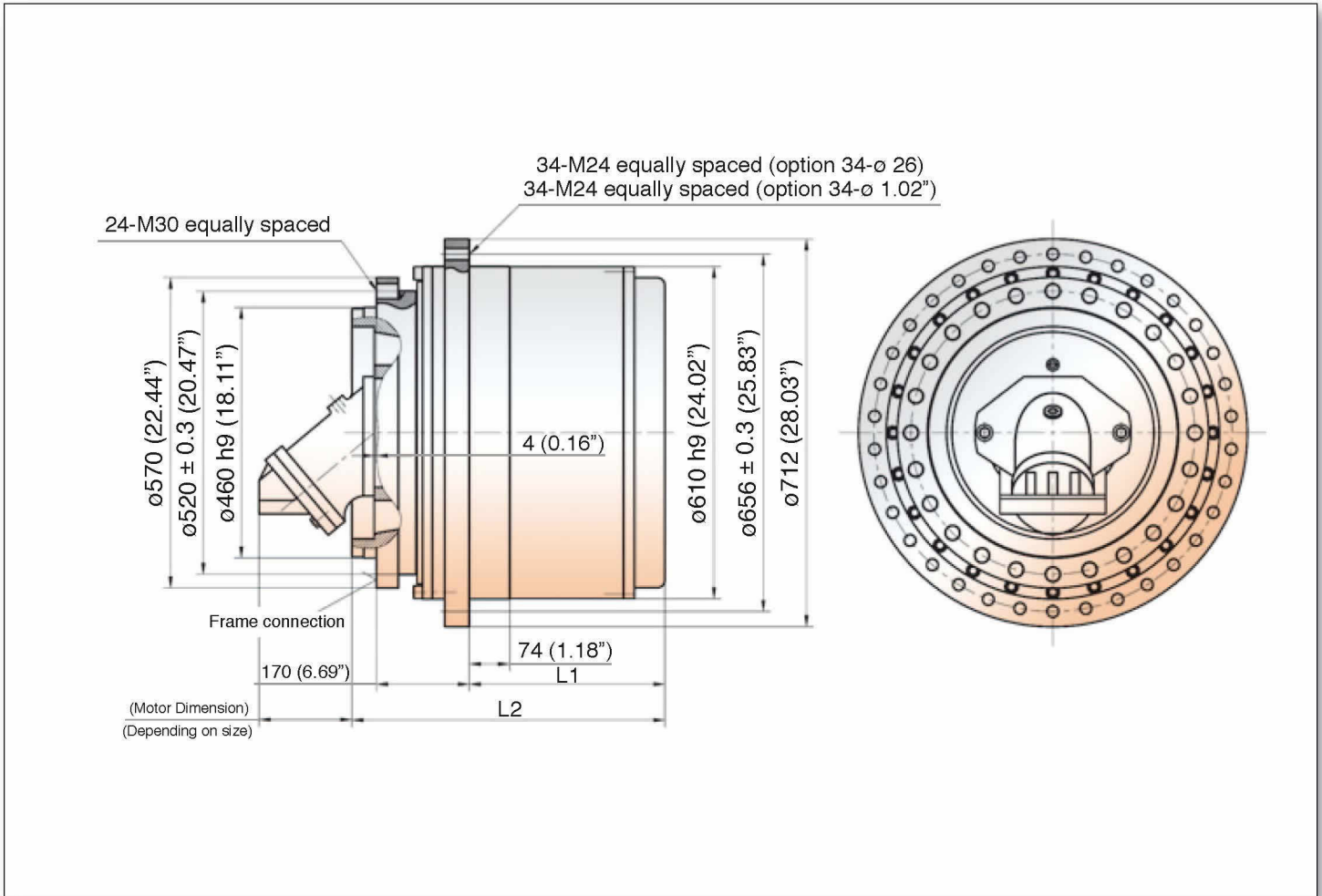


### Technical data

Output Torque		Ratio i	Motor connection		Max. Input Speed r/min	Braking Torque		Brake Pressure		
$T_{max}$ Nm	$T_{max}$ lb/in					$T_{Br max}$ Nm	$T_{Br max}$ lb/in	MPa	psi	
<b>160000</b>	<b>1414000</b>	98.3	161.8	185	4000	800-1200	7050-10600	1.8 - 5	261-725	
				A2FE107						A6VE107
				A2FE125						A6VE160
				A2FE160						A6VE160
		210.8	251	A2FE180						

- Gearbox Output rotation is reverse of input
- Different motor connection, ratios and mounting available upon request.

## DIMENSIONS

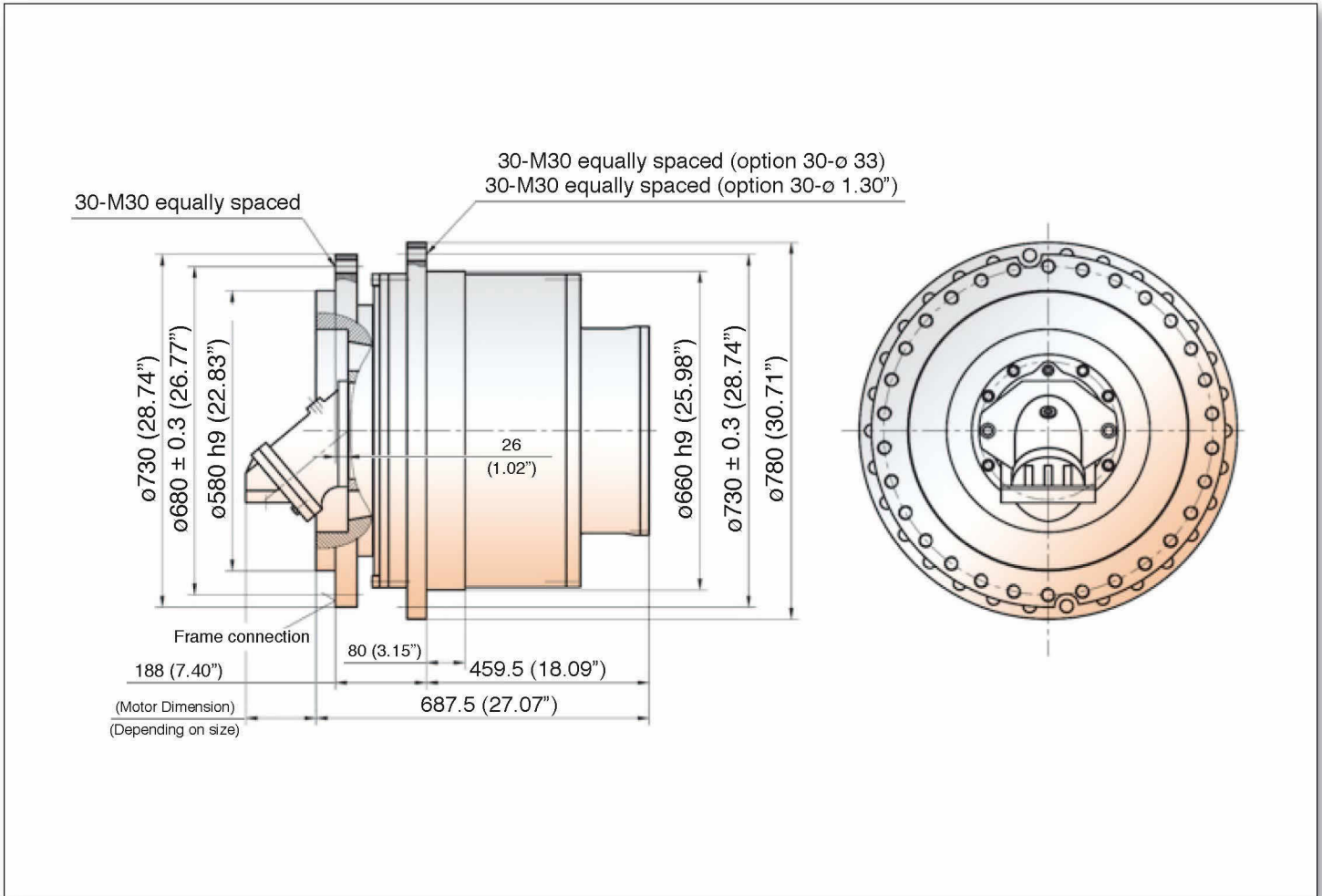


### Technical data

Output Torque		Ratio		Motor connection		Max. Input Speed	Braking Torque		Brake Pressure	
$T_{max}$ Nm	$T_{max}$ lb/in	i				r/min	$T_{Br max}$ Nm	$T_{Br max}$ lb/in	MPa	psi
<b>220000</b>	<b>1944500</b>	188.9 <sup>(3)</sup>	245.9 <sup>(3)</sup>	293 <sup>(3)</sup>	A2FE107	4000	800-1200	7050-10600	1.8 - 5	261-725
		313 <sup>(3)</sup>	695 <sup>(3)</sup>	A2FE125	A6VE107					
					A2FE160					
					A2FE180					
					A6VE160					

- Gearbox Output rotation is reverse of input
- Different motor connection, ratios and mounting available upon request.

## DIMENSIONS



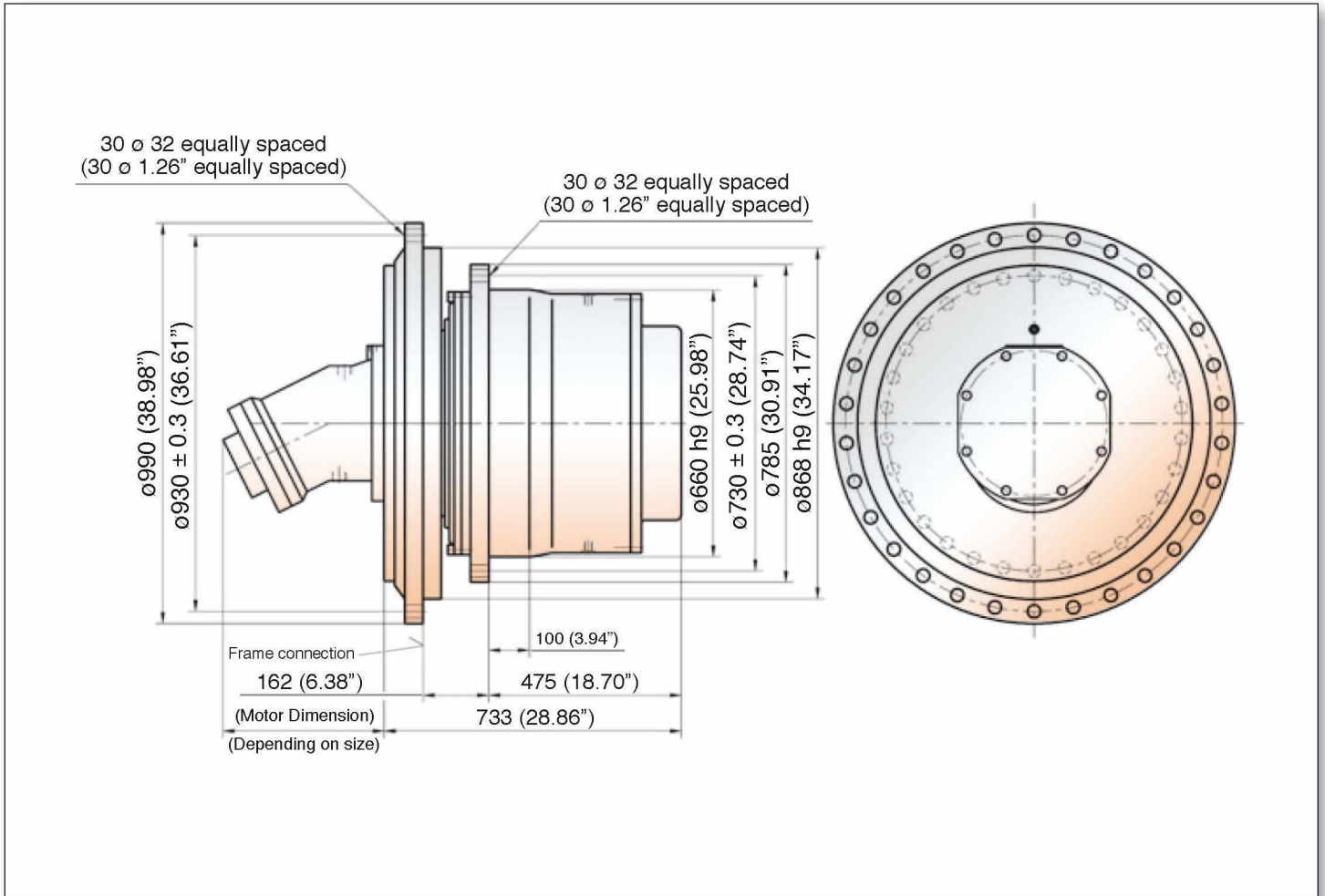
### Technical data

Output Torque		Ratio i	Motor connection		Max. Input Speed r/min	Braking Torque		Brake Pressure	
T <sub>max</sub> Nm	T <sub>max</sub> lb/in					T <sub>Br max</sub> Nm	T <sub>Br max</sub> lb/in	MPa	psi
<b>330000</b>	<b>2917000</b>	169.2 251.8 302.5	A2FE107	A6VE107	4000	800-1200	7050-10600	1.8 - 5	261-725
		451.6 555.33	A2FE125	A6VE160					
			A2FE160	A6VE250					
			A2FE180	A6V250					
			A2FE250						

- Gearbox Output rotation is reverse of input
- Different motor connection, ratios and mounting available upon request..



## DIMENSIONS

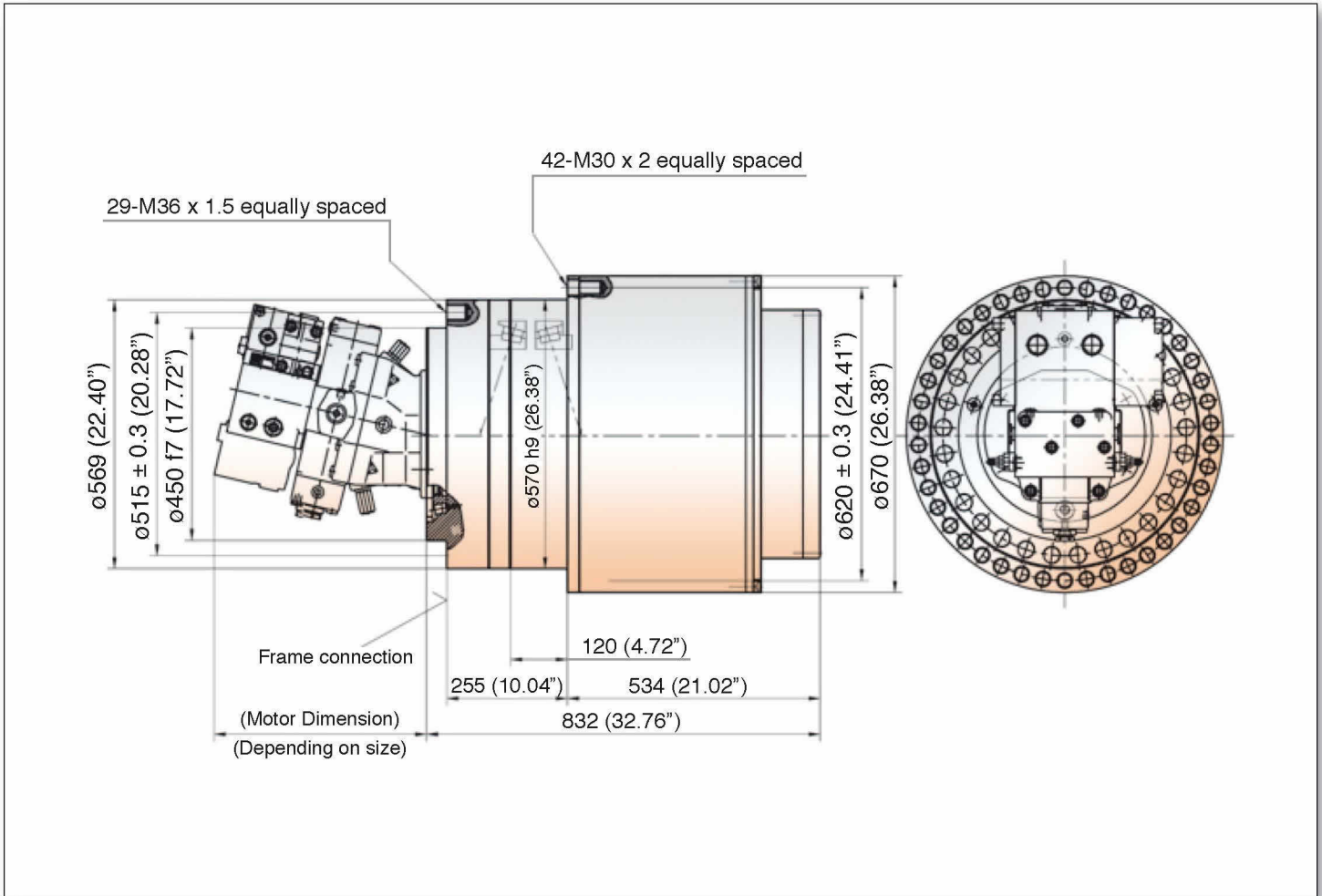


### Technical data

Output Torque		Ratio			Motor connection		Max. Input Speed	Braking Torque		Brake Pressure	
$T_{max}$ Nm	$T_{max}$ lb/in	i					r/min	$T_{Br max}$ Nm	$T_{Br max}$ lb/in	MPa	psi
<b>330000</b>	<b>2917000</b>	88.3	105.1	114	A2FE125	A6VE107	4000	800-1200	7050-10600	1.8 - 5	261-725
		169.2	251.8	302.5	A2FE160	A6VE160					
					A2FE180	A6VE250					
		451.6	555.33		A2FE250	A6V250					
				A2FM500							

- Gearbox Output rotation is reverse of input
- Different motor connection, ratios and mounting available upon request.

## DIMENSIONS

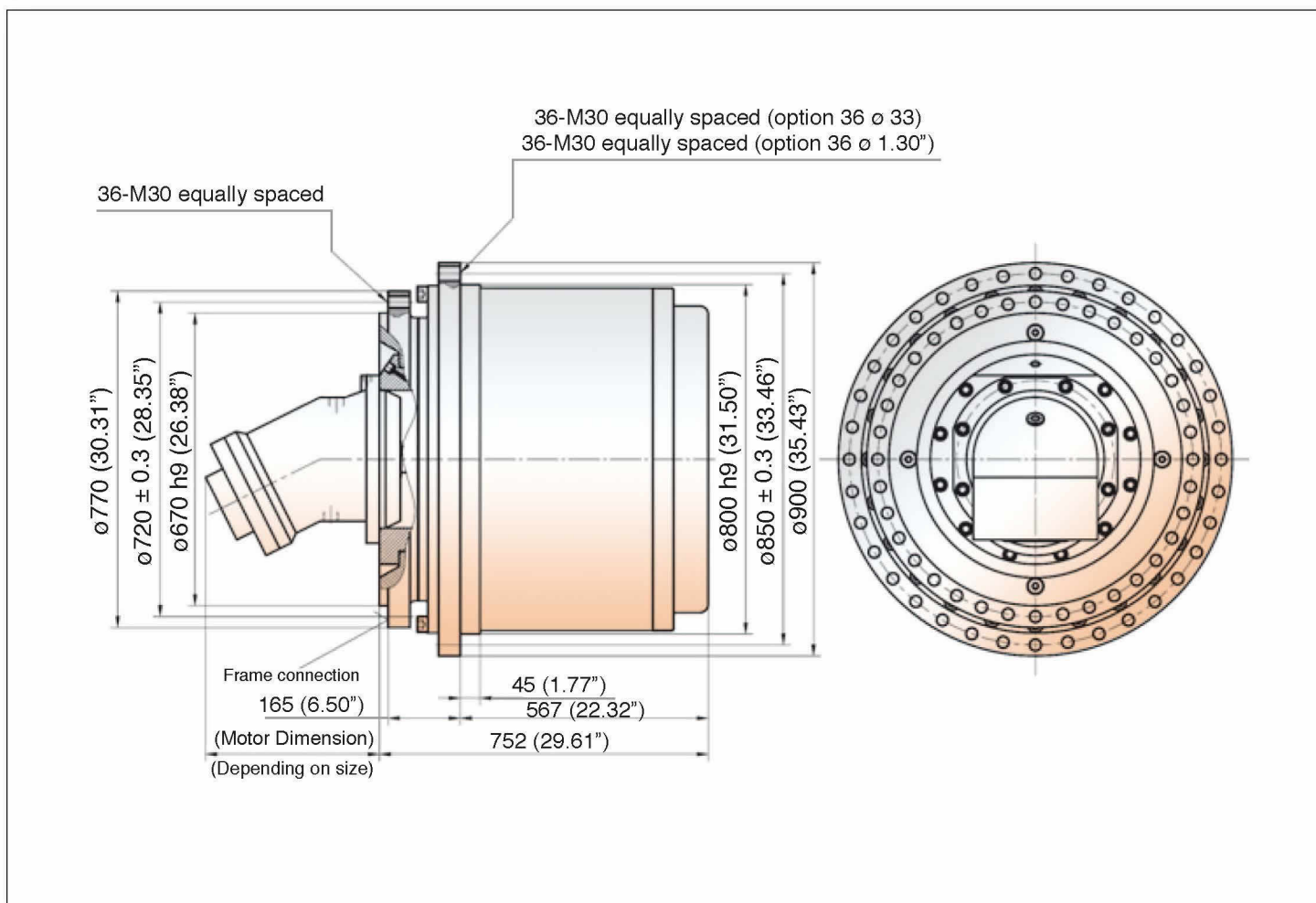


### Technical data

Output Torque		Ratio			Motor connection		Max. Input Speed	Braking Torque		Brake Pressure	
$T_{\max}$ Nm	$T_{\max}$ lb/in	i					r/min	$T_{Br \max}$ Nm	$T_{Br \max}$ lb/in	MPa	psi
<b>440000</b>	<b>3889500</b>	275.34	308.2	352.68	A2FM160	A6VM160	2000	1200-2500	10500-22000	1.8 - 5	261-725
					A2FM250	A6VM250					

- Gearbox Output rotation is reverse of input
- Different motor connection, ratios and mounting available upon request.

## DIMENSIONS



### Technical data

Output Torque		Ratio			Motor connection		Max. Input Speed	Braking Torque		Brake Pressure	
$T_{max}$ Nm	$T_{max}$ lb/in	i					r/min	$T_{Br max}$ Nm	$T_{Br max}$ lb/in	MPa	psi
<b>550000</b>	<b>4862000</b>	129.2	146.8	175.3	A2FM250	A6VM250	2000	1200-3600	10500-31500	1.8 - 5	261-725
					A2FM355	A6VM355					
					A2FM500	A6VM500					

- Gearbox Output rotation is reverse of input
- Different motor connection, ratios and mounting available upon request.

## END SUPPORTING BEARING

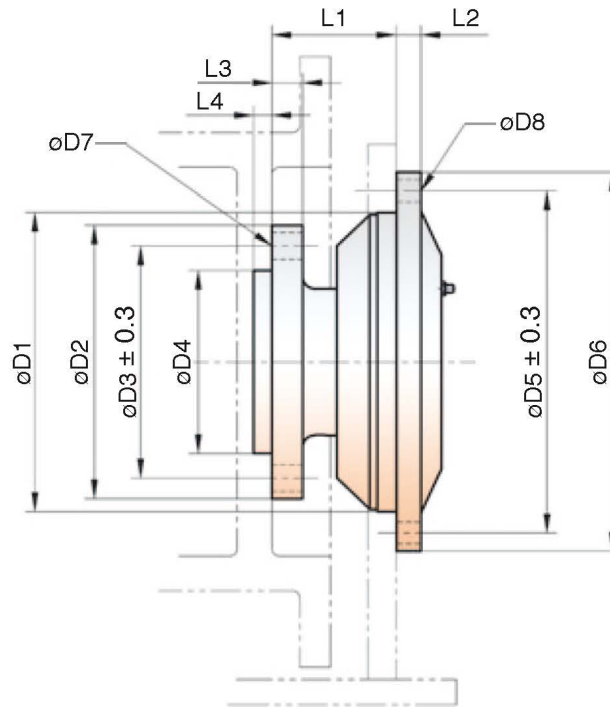
### Model options

ZCZ \*\* \*

Design number (A, B, C... ..)

Symbol for YWTD gearbox size

End supporting bearing for YWTD\*\*W series winch drives



### Dimensions

Model	D1	D2	D3	D4	D5	D6	D7	D8	L1	L2	L3	L4	Gearbox Size
ZCZ17A	175f7	156	130	100j6	200	225	8- $\phi 13$	6- $\phi 11$	111	15	15	10	IGT13W IGT17W
ZCZ17A	200h7	199	170	140j6	230	260	12- $\phi 18$	12- $\phi 14$	155	18	20	10	IGT26W IGT36W
ZCZ17B	200f7	175	145	115j6	230	260	8- $\phi 18$	8- $\phi 18$	91	15	20	10	
ZCZ80A	225h7	224	190	150j6	260	290	8- $\phi 22$	8- $\phi 18$	101	20	25	15	IGT60W IGT80W
ZCZ110A	225j6	204	170	140j6	260	290	12- $\phi 22$	12- $\phi 18$	170	20	25	15	IGT110W IGT220W

## APPLICATION DATA SHEET

DATE \_\_\_\_\_

Customer name \_\_\_\_\_ Address \_\_\_\_\_  
City \_\_\_\_\_ Postal Code \_\_\_\_\_ PH: \_\_\_\_\_  
FAX \_\_\_\_\_ E-mail address \_\_\_\_\_  
Contact Name \_\_\_\_\_ Direct phone \_\_\_\_\_

### VEHICLE DATA AND OPERATING CONDITIONS

Type or vehicle \_\_\_\_\_  
Vehicle weight (loaded) \_\_\_\_\_ Kg Empty \_\_\_\_\_ Kg Front % \_\_\_\_\_ Rear \_\_\_\_\_ %  
Wheel Diameter \_\_\_\_\_ MM Rolling Radius \_\_\_\_\_ MM Speed Required \_\_\_\_\_ Km/h  
Max load on single wheel \_\_\_\_\_ Kg Gradient \_\_\_\_\_ % Acceleration 0-max \_\_\_\_\_ Sec.  
Max. tractive effort. \_\_\_\_\_ Kg

### HYDRAULIC SPECIFICATIONS

Motor type \_\_\_\_\_ Make \_\_\_\_\_ Displacement \_\_\_\_\_ CC  
Pump type \_\_\_\_\_ Make \_\_\_\_\_ Displacement \_\_\_\_\_ CC  
Max pump speed RPM \_\_\_\_\_ Cont. Pressure \_\_\_\_\_ MPa  
Peak pressure \_\_\_\_\_ MPa Valve setting \_\_\_\_\_ MPa Brakes required \_\_\_\_\_ yes/no  
Max motor speed \_\_\_\_\_ RPM Maximum motor pressure \_\_\_\_\_ MPa

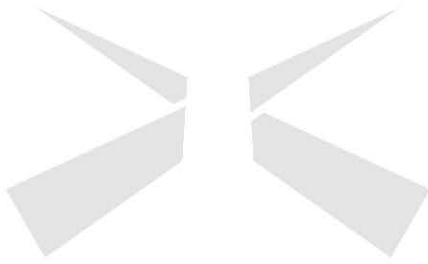
### WHEEL SPECIFICATIONS

Type of Tire \_\_\_\_\_ Width \_\_\_\_\_ MM Diameter \_\_\_\_\_ MM

### TRACK SPECIFICATIONS

Steel \_\_\_\_\_ Rubber \_\_\_\_\_ Other \_\_\_\_\_ Sprocket PD \_\_\_\_\_ MM  
Track Width \_\_\_\_\_ MM Cleats \_\_\_\_\_ Yes \_\_\_\_\_ No  
**Average working cycle    Torque    Speed    Load    % of time**

# Young Powertech





**Young Powertech (Shanghai) Co. Ltd**

202B Room, 7th Building • 1888 New Jinqiao Road

Pudong • New District • Shanghai China

PH: (0086) (21) 5021-2282

Fax: (0086)(21) 5021-8162

e-mail : [info@youngmachinery.com](mailto:info@youngmachinery.com)

e-mail : [technical@youngmachinery.com](mailto:technical@youngmachinery.com)

YPTU-WD-2011-001