



Aqua Uplight

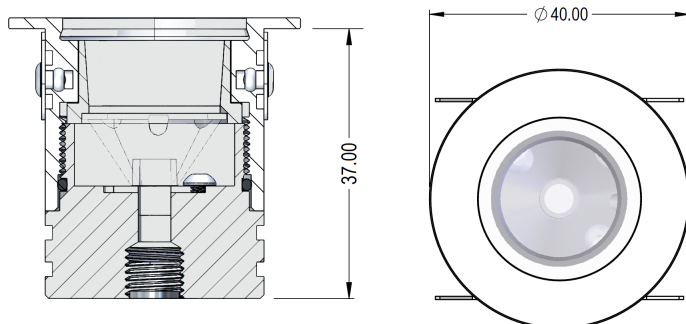
Description

The Aqua Uplight is an exceptional IP rated uplight at the forefront of design with an elegant slim bezel and high CRI, ideal for Residential, Hospitality, Retail and Marine Exterior and interior applications. The Aqua Uplight features walk/drive on toughened clear glass, premium efficacy LED's, deep baffle and brass heatsink as standard for increased heat dissipation with industry leading optics giving you the perfect soft light.

When creating the Aqua Uplight we considered usability, ease of installation and adaptability to create the perfect uplight for all your applications.



AU1 - 27 - 12 - 54 - 97 - LF - PC



Please allow 10mm for cable gland for IP67

CUT-OUT - 32Ø

RAL* a variety of Powder coated, Electro Plated and Anodised finishes are available Please contact your Consilio Lighting sales representative for further details.

Key

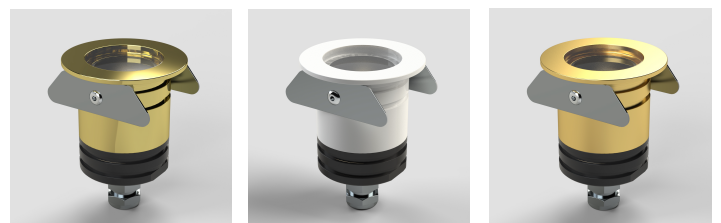
Due to the amount of versatility that the Aqua uplight allows, please use the key below as a guide for the performance.

If Drive Current	CCT	Lumens	Wattage
350mA	2700	101	1W
	3000	116	
	4000	128	

Build your code

Build your code using the table below using the 'Code Tag'. An example is located under the product photo.

Description	Code Tag	Meaning
Type	AU1	Aqua Uplight - 1W
CCT	27 30 40	2700K 3000K 4000K
Beam Angle	12 20 30	12° 20° 30°
IP Rating	67	IP67
CRI	97	97
Spring Mounting	LF BT	Leaf spring Burial Tube
Colour Bezel	WH BL SC PC BS PS NS SBB SPB SNB BA SA RAL*	White (RAL 9010) Black (RAL 9005) Satin Chrome Polished Chrome Brushed Stainless Polished Stainless Natural Stainless Solid Brushed Brass Solid Polished Brass Solid Natural Brass Black Anodised Silver Anodised Ral/Variant



All dimming options are achievable with this product