



Diablo

Mini Trimless

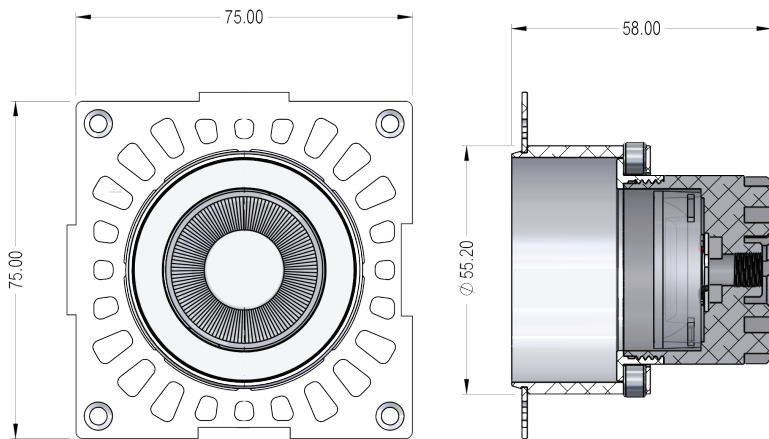
Description

The Mini Diablo is a premium fixed IP rated trimless downlight at the forefront of design with an elegant slim bezel and high CRI, ideal for Residential, Hospitality, Retail and Marine applications. It is shallow in order to fit most ceiling voids with ease, without compromising lumen output - using premium efficacy LED's with industry leading heat distribution and TIR optics, to achieve your desired beam angle.

When creating the Diablo we considered usability, ease of installation using magnetic retention for the light engine. Also, using our 'jigsaw method' you are able to interconnect multiple products in situ.



MTD - 27 - 20 - 44 - 97 - WH - BL



CUT-OUT - 56mmØ

RAL* a variety of Powder coated, Electro Plated and Anodised finishes are available Please contact your Consilio Lighting sales representative for further details.

Key

Due to the incredible amount of versatility that the Diablo allows, please use the key below as a guide for the performance.

If Drive Current	CCT	Lumens	Wattage
260mA	2700	759	8.6
	3000	798	
	4000	824	
350mA	2700	1063	11.8
	3000	1114	
	4000	1148	

Build your code

Build your code using the table below using the 'Code Tag'. An example is located under the product photo.

Description	Code Tag	Meaning
Type	MTD	Mini Trimless Downlight
CCT	27	2700K
	30	3000K
	40	4000K
	DW	Dim to Warm
Beam Angle	20	20°
	30	30°
	40	40°
IP Rating	44	IP44
	54	IP54
CRI	90	90
Colour Bezel	WH	White (RAL 9010)
	BL	Black (RAL 9005)
	RAL*	Ral/Variant
Colour Baffle	WH	White (RAL 9010)
	BL	Black (RAL 9005)
	RAL*	RAL/Variant