



Mica Maxi

Downlight

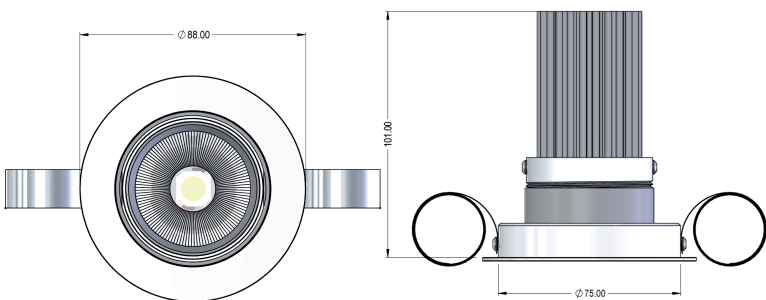
Description

The Mica Maxi Downlight is a premium directional downlight at the forefront of design with an elegant slim bezel. Like its smaller sister product the 'Mica' we were able to use the same high CRI LEDs and technology that is ideal for Residential, Hospitality, Retail and Marine applications. It has industry leading heat distribution and TIR optics, to achieve your desired beam angle.

When creating the Mica Maxi Downlight we considered usability, ease of installation and adaptability to ensure complete versatility for the best results so that different filters, optics, recessing springs and LEDs can be used to enhance performance and fulfil your vision.



MiDL - 27 - 12 - 20 - 97 - CC - WH - BL



CUT-OUT - 78mmØ

RAL* a variety of Powder coated, Electro Plated and Anodised finishes are available Please contact your Consilio Lighting sales representative for further details.

Key

Due to the incredible amount of versatility that the Diablo allows, please use the key below as a guide for the performance.

If Drive Current	CCT	Lumens	Wattage
260mA	2700	759	8.6
	3000	798	
	4000	824	
350mA	2700	1063	11.8
	3000	1114	
	4000	1148	
500mA	2700	1542	16.4
	3000	1612	
	4000	1659	

Build your code

Build your code using the table below using the 'Code Tag'. An example is located under the product photo.

Description	Code Tag	Meaning
Type	MiDL	Downlight
CCT	27	2700K
	30	3000K
	40	4000K
	DW	Dim to Warm
Beam Angle	12	12°
	20	20°
	30	30°
	40	40°
IP Rating	20	20
CRI	97	97
Spring	CC	Constant Curly
Colour Bezel	WH	White (RAL 9010)
	BL	Black (RAL 9005)
	SC	Satin Chrome
	PC	Polished Chrome
	RAL*	Ral/Variant
Colour Baffle	WH	White (RAL 9010)
	BL	Black (RAL 9005)
	RAL*	RAL/Variant

For Dim to Warm please see below:

Range CCT	Wattage	Vf	CRI	Lumens
1800-3000	13.5	35	90	1000