



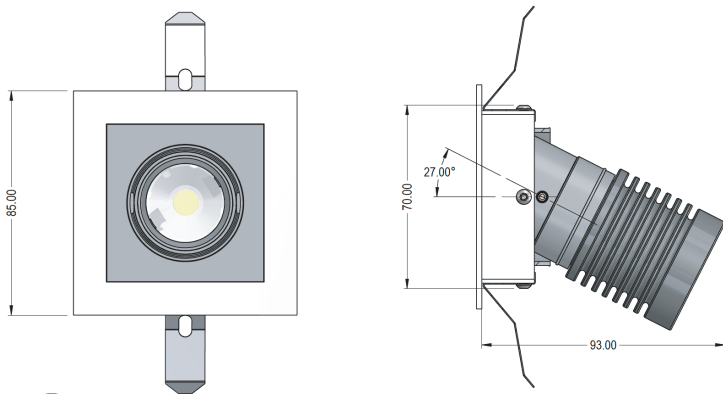
Mica Square

Downlight

Description

The Mica Downlight is a premium directional downlight at the forefront of design with an elegant slim bezel and high CRI, ideal for Residential, Hospitality, Retail and Marine applications. It is shallow in order to fit most ceiling voids with ease, without compromising lumen output - using premium efficacy LED's with industry leading heat distribution and TIR optics, to achieve your desired beam angle.

When creating the Mica Downlight we considered usability, ease of installation and adaptability to ensure complete versatility for the best results so that different filters, optics, recessing springs and LEDs can be used to enhance performance and fulfil your vision.



CUT-OUT - 72 X 72mm SQ

RAL* a variety of Powder coated, Electro Plated and Anodised finishes are available Please contact your Consilio Lighting sales representative for further details.

Key

Due to the incredible amount of versatility that the Artus allows, please use the key below as a guide for the performance.

If Drive Current	CCT	Lumens	Wattage
260mA	2700	759	8.6
	3000	798	
	4000	824	
350mA	2700	1063	11.8
	3000	1114	
	4000	1148	

Build your code

Build your code using the table below using the 'Code Tag'. An example is located under the product photo.

Description	Code Tag	Meaning
Type	MSD	Mica Square Downlight
CCT	27	2700K
	30	3000K
	40	4000K
	DW	Dim to Warm
Beam Angle	12	12°
	20	20°
	30	30°
	40	40°
IP Rating	44	44
CRI	97	97
Spring	TS	Torsion Spring
	FS	Friction Spring
Colour Bezel	WH	White (RAL 9010)
	BL	Black (RAL 9005)
	SC	Satin Chrome
	PC	Polished Chrome
	RAL*	Ral/Variant
Colour Baffle	WH	White (RAL 9010)
	BL	Black (RAL 9005)
	RAL*	RAL/Variant

Dim 2 Warm Option

Lumens	CCT Range	Drive Current	Wattage
1000	1800 - 2700K	350mA	13.5