



# Micro TubeSpot

## Spotlight

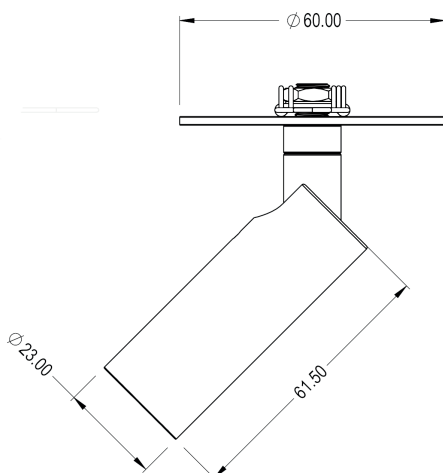
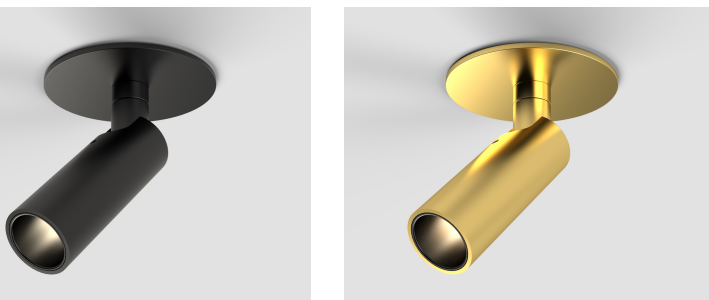
### Description

The Micro TubeSpot is a miniature spotlight at the forefront of design with an elegant slim bezel and high CRI, ideal for Residential, Hospitality, Retail and Marine Exterior and interior applications. The Micro TubeSpot features premium efficacy LED's, deep baffle for added comfort and aluminium heatsink as standard for increased heat dissipation.

The Micro TubeSpot is perfect for your discreet installation.



SA - 27 - 10 - 67 - 97 - LF - SA



RAL\* a variety of Powder coated, Electro Plated and Anodised finishes are available Please contact your Consilio Lighting sales representative for further details.

### Key

Due to the amount of versatility that the Aqua upright allows, please use the key below as a guide for the performance.

CCT	Drive Current	Lumens	Wattage
2700	150	380	4.1
	250	414	
	350	466	

If Drive Current	CCT	Lumens	Wattage
350mA	2700	94	1W
	3000	116	
	4000	128	

### Build your code

Build your code using the table below using the 'Code Tag'. An example is located under the product photo.

Description	Code Tag	Meaning
Type	MiTS1 MiTS2	Micro TubeSpot Micro TubeSpot 1W
CCT	27 30 40	2700K 3000K 4000K
Beam Angle	12 20 30	12° 20° 30°
IP Rating	20	IP20
CRI	97	97
Mounting Options	BD RD SC SD	Butterfly Disc Round Disc Shallow Can Small Disc
Colour	WH BL SC PC BS PS NS SBB SPB SNB BA SA RAL*	White (RAL 9010) Black (RAL 9005) Satin Chrome Polished Chrome Brushed Stainless Polished Stainless Natural Stainless Solid Brushed Brass Solid Polished Brass Solid Natural Brass Black Anodised Silver Anodised Ral/Variant

All dimming options are achievable with this product