

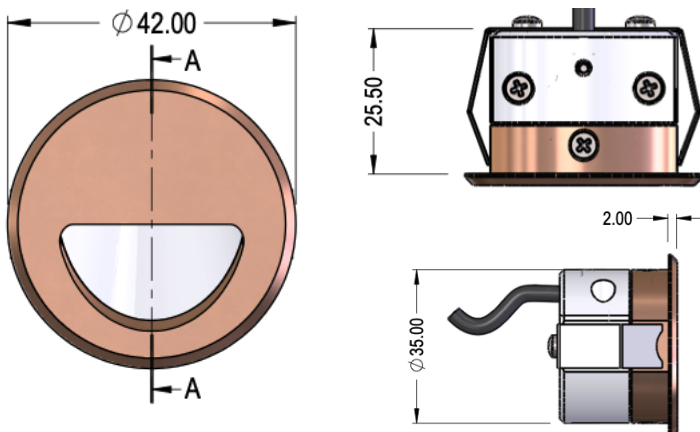
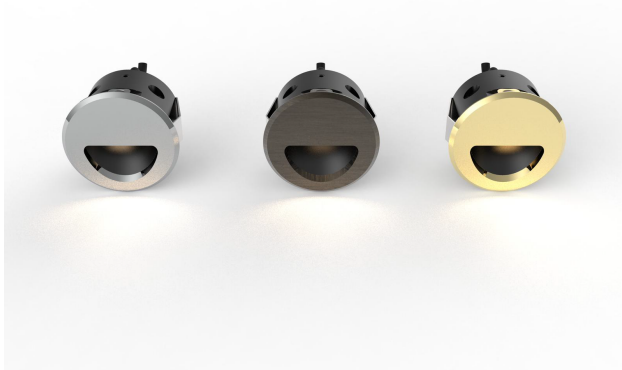


# Murus

## Low Level Wall-Light

### Description

The Murus Wall-Light is a discreet low level wall-light at the forefront of design with an elegant slim bezel and high CRI, ideal for Residential, Hospitality, Retail and Marine Exterior and interior applications. The Murus features premium efficacy LED's, turned from solid aluminium for premium feel and expertly crafted CNC milled inner allowing for perfectly equal light reflection.



CUT-OUT - 36Ø

RAL\* a variety of Powder coated, Electro Plated and Anodised finishes are available Please contact your Consilio Lighting sales representative for further details.

### Key

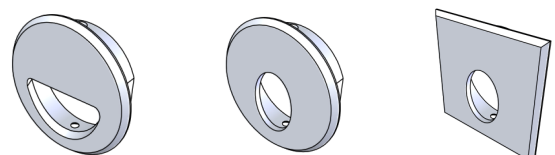
Due to the amount of versatility that the Murus allows, please use the key below as a guide for the performance.

If Drive Current	CCT	Lumens	Wattage
350mA	2700	101	1W
	3000	116	
	4000	128	

### Build your code

Build your code using the table below using the 'Code Tag'. An example is located under the product photo.

Description	Code Tag	Meaning
Type	MU1	Murus
CCT	27 30 40	2700K 3000K 4000K
Beam Angle	W	Wash
IP Rating	20 54 67	IP20 IP54 IP67
CRI	97	97
Spring	PF	Push Fit
Colour Bezel	WH BL BP SC PC BS PS NS SBB SPB SNB BA SA RAL*	White (RAL 9010) Black (RAL 9005) Bronze plate Satin Chrome Polished Chrome Brushed Stainless Polished Stainless Natural Stainless Solid Brushed Brass Solid Polished Brass Solid Natural Brass Black Anodised Silver Anodised Ral/Variant
Bezel type	EY ELR ELS	Eyelid Elipse Round Elipse Square



All dimming options are achievable with this product