



**A.J. Gonzales**  
**Furnace Control, LLC**

31566 Railroad Canyon Rd  
 STE 2 #1002  
 Canyon Lake CA 92587  
 a.j.gonzales@fmc.com

**(626) 437-6557**  
 Science, Technology & Engineering



## PRECISION CONTROLLED NITRIDING FURNACE

RELIABILITY, EXPERTISE,  
 SERVICE & SELECTION

## PRECISION CONTROLLED NITRIDING SYSTEMS

**Heating:** Gas or Electric

**Temperature Range:** 350°F - 1350°F

**Retort:** 310 stainless steel

**Insulation:** Ceramic fiber

**Processes:** Nitriding, nitrocarburizing, tempering, stress relieving

**Typical Atmospheres:** Ammonia, dissociated ammonia, nitrogen, carbon dioxide, air

GROSS LOADING (LBS.)	LOAD SIZE (IN.)		
	Width	Length	Height
4,000	48	48	40
7,000	48	72	40

*Custom engineered sizes available upon request*

### STANDARD FEATURES

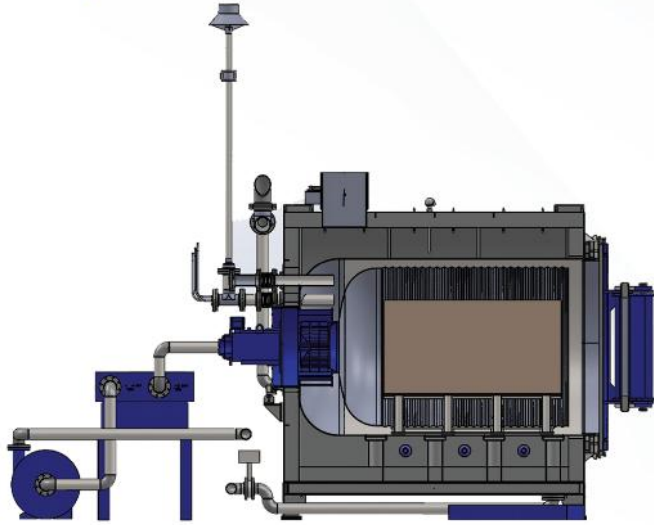
- AMS 2750-compliant temperature uniformity
- Meets AMS 2759/10 and 2759/12 requirements
- Atmosphere analyzer for automatic  $K_N$  and  $K_C$  control
- Vacuum pump for rapid chamber evacuation
- Electromechanical door clamping system
- Electronic process gas flow control
- Internal retort fan and inner baffle for atmosphere recirculation
- Integrated PLC logic control and HMI for ease of operation

### OPTIONS

- Pre- and post-oxidation control
- Ammonia dissociator
- Rapid cooling system to reduce cooling time
- Alternate retort materials upon request



*Cut-away view of interior*



*Precision Controlled Nitriding Furnace  
Front view, loading door open*



*Cycle diagram including pre- and post- oxidation*

