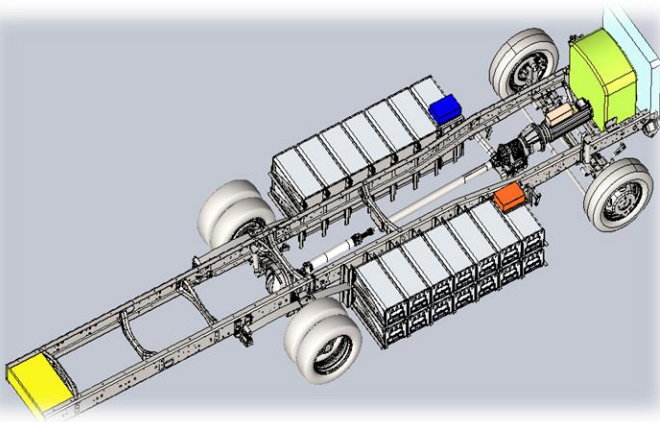


Class 3-4 All Electric

17,500 GVW



Performance and Feature

- 100% recyclable Lithium batteries (Plastic, copper, Lithium, aluminum and plastic materials)
- Batteries have retirement plan with solar panel farm before recycle. (.5 C discharge rate)
- Fuel Savings are **\$13,325** per year at 100 miles per day and 352 days a year. 16 cents per KWH
- Maintenance savings exceeds an additional **\$4K** per year in fluid and brakes etc. per year
- Use 90% OEM parts creating instant worldwide infrastructure for parts and service
- Parts are all solid state and have the ability to last up to 20 years with quarterly maintenance.
- Environmentally Friendly: No heavy metals and 100% recyclable
- V2G system allows vehicle to supply power back to the grid. (Red Lion)

Electric Drivetrain and Power Pack

Electrical Specs	Truck Specs
<p>Motor generator: (235 lbs) AC Perm. Mag. electric Motor (5 Year warranty) Single AC motors at 480 HP max 530 ft lbs. Torque Peak base 700 VDC (Nominal) 2700 rpm max 210 KW total motor capacity Best in Class (Hill Climb and Hwy speeds)</p>	<p>Vehicle Ratings: GVWR 14,450 to 17,500 GAWR Front 5,925 GAWR Rear 13,575</p>
<p>Modular Battery Pack 16 modules: 2,880 lbs. Prismatic (5 year warranty) 230AH 700 volts DC Li Fe Phosphate 160 kWh (Optional spec: 70-230 kWh) Smart Battery technology Optional 320 Ah at 800VDC. Modular pack for easy maintenance. 5,500 cycles and still maintain 80% strength. Million mile battery *Repair at any local truck service shop. *Updates and diagnostics from any computer anywhere in the world.</p>	<p>Overall length 275" Usable cab to rear axle 118" Leaf Spring: Frt and Rear Turning Diameter 299" Transmission Gear Box: GM or Allison 5 speed Brakes Anti-lock, Air Brake Frame: Forged I-beam Tires: 225/70R 19.5</p> <p>Distance options: 160 KWH Battery pack gives 100 miles loaded *All New modular safe easy /low maintenance Battery Pack</p>
<p>Controller system: (33lbs) 210 Kilowatt (5 Year warranty) 500 AMP OEM Throttle control and with easy set. Idle set at constant 600 RPM (All electric only) PTO capable Input/output Easy-link supervisor control w/ PC integration</p>	<p>Gear Ratio using 6 speed gear box with reverse: First 4.0 (2,121 ft lbs. of torque) Most in class Second 2.5 (1,325 ft lbs of torque) Third 1.5 (795 ft lbs of torque) Fourth 1.2 (636 ft lbs of torque) Fifth .9 (477 ft lbs of torque) Reverse 3.1 **28% hill grade capability</p>
<p>Charger: (85lbs) 850 volt capable (2 year warranty) Dual 18KW 240VAC single phase Optional (36kw) Liquid Cooled Easy overnight 8 hr charge time (Optional 4 hour) *2 hr fast DC charge available upon request</p>	<p>CLASS 3-4 All Electric</p> <div style="display: flex; align-items: center; justify-content: center;">   </div>