



MODEL SC401

DUAL CYLINDER SCALE

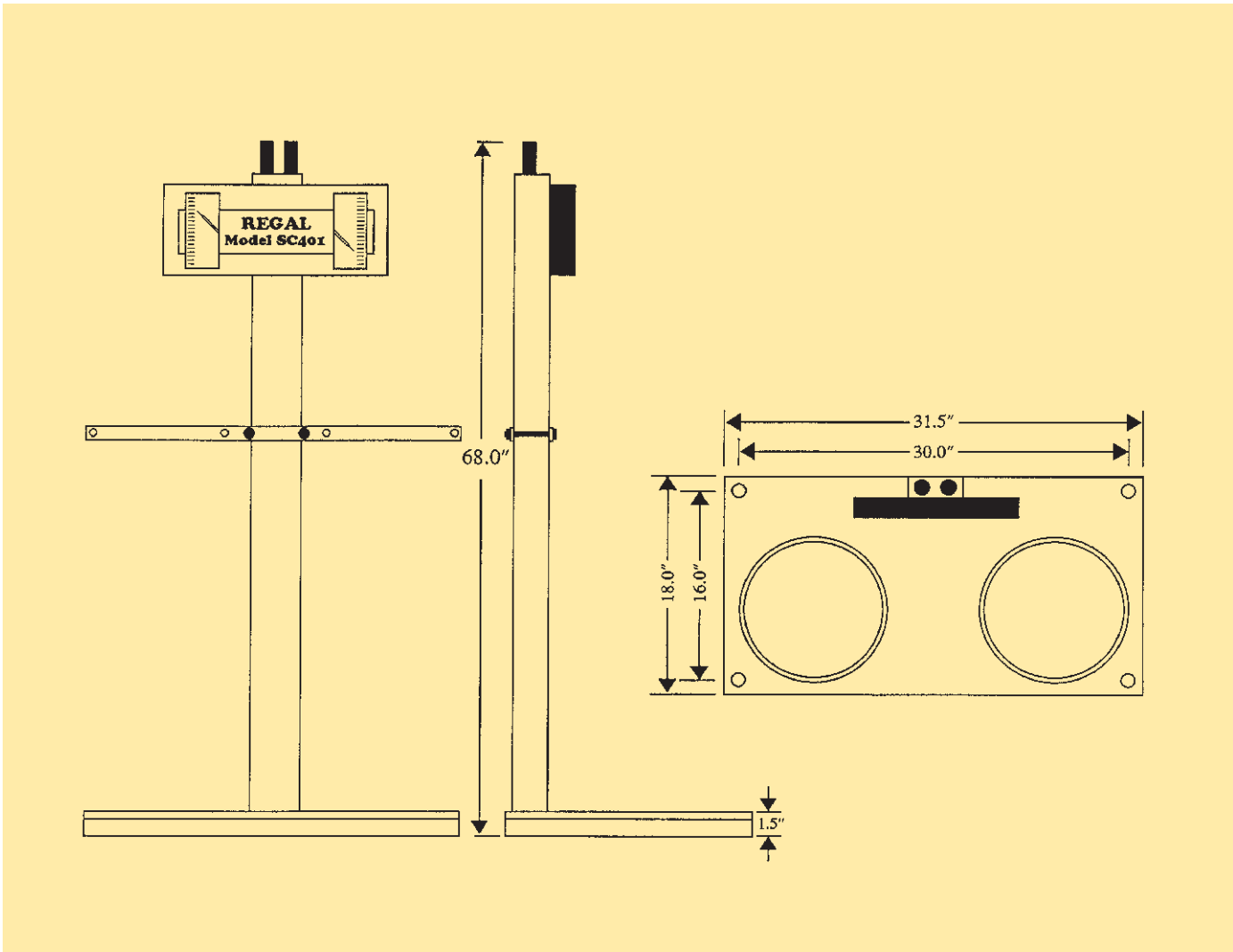
The REGAL™ Model SC401 Dual Cylinder Scale independently weighs the contents of two compressed gas cylinders simultaneously.

The 1 1/2" high base is constructed with supports to provide added strength. The base houses two 12" diameter cylinder weighing platforms and supports a column with an adjustable cross-arm with chains for securing the gas cylinders. The cross-arm is adjustable up or down to accommodate different sized cylinders. Two independent dial mechanisms are housed at the head of the column with adjusting knobs used to cancel out tare weight for each cylinder. Read-out dials then show net contents remaining for each cylinder.



STANDARD FEATURES

- Surpasses industry standards for two cylinder scales.
- Two independent mechanical scales in one unit.
- UPS shippable - shipping weight under 65 lbs.
- Easy on-site assembly and installation.
- Factory calibrated.
- Adjustable cross-arm with chains to secure cylinders.
- 1 1/2" high PVC base and weighing discs eliminates corrosion caused by sweating cylinders.
- Easy to read 5" scale length with 150 graduations allows for 1/2 lb. readability.



SPECIFICATIONS

The REGAL Model SC401 Dual Cylinder Scale has been specifically designed for the water and wastewater industry. All mechanical parts, wherever possible, are made of stainless steel or protected with a durable chemical resistant powder coat finish.

ALSO AVAILABLE

Single, Mechanical Scale
(Model SC400)

Single and Dual Electronic Scales
(Model ECS 401/402)

Accuracy
±1% Full Scale

Resolution
1 lb.

Scale Readability
1/2 lb. increments

Scale Capacity
300 lbs.

Safe Overload Capacity
400 lbs.

Max. Net Content Weight
150 lbs.

Cylinder Size
12" diameter max.

Tare Weight Range
80 - 150 lbs.

Operating Temperature Range
0 - 120°F

Weight
55 lbs.

Shipping Weight
63 lbs.

 chlorinators incorporated

1044 SE Dixie Cutoff Road, Stuart, FL 34994 USA
Tel: 772-288-4854 • Fax: 772-287-3238 • www.regalchlorinators.com • E-mail: regal@regalchlorinators.com