



chlorinators

1044 SE Dixie Cutoff Road, Stuart, Florida 34994 USA
 Phone: (772) 288-4854 Fax: (772) 287-3238
 www.regalchlorinators.com Email: info@regalchlorinators.com

REGAL Direct Chlorine Ton Container Adaptor

INSTALLATION/SERVICE MANUAL

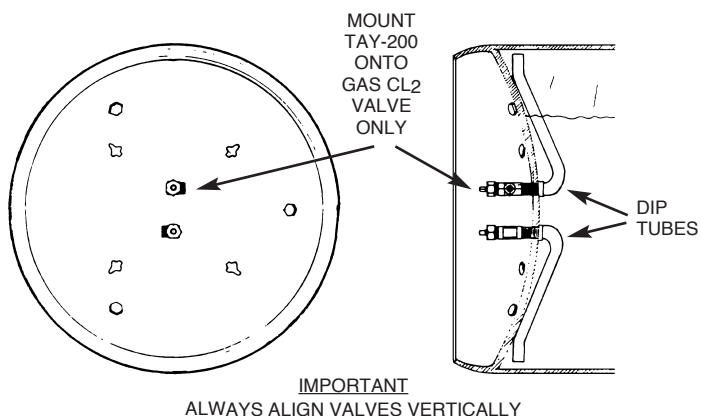
NOTE: These instructions are also applicable to REGAL Gas Sulphonators. Just substitute "sulphonator" wherever the word "chlorinator" appears and substitute "sulfur dioxide" wherever "chlorine" appears.

In order to prevent reliquification of Sulfur Dioxide (SO₂) gas due to temperature variations, sulphonator installations in locations where the temperature may fall below 50°F (10°C) should be made inside an enclosure that has facilities for heating the enclosure. **DO NOT** apply heat directly to the containers as this will cause an increase in the gas pressure which could rupture the container.

The REGAL TAY-200 Direct Chlorine Ton Container Adaptor is specially designed to allow a standard, direct cylinder mounted gas chlorinator to be mounted directly onto the gas outlet valve of a one (1) ton chlorine container.

Before mounting the chlorinator and adaptor onto the ton container gas valve, the user should be familiar with the basic construction of the ton container (See Drawing No. 1) as well as safety, handling and installation precautions which should be followed whenever using Chlorine Ton Containers. Chlorinators strongly recommends that all Chlorine Ton Container users follow Chlorine Institute procedures for shipping, handling, storing and using ton containers. Copies of the Chlorine Manual and other applicable publications may be obtained by writing to:

The Chlorine Institute Inc.
 1300 Wilson Blvd.
 Arlington, VA 22209



DRAWING NO. 1



PHOTO NO. 1

INSTALLATION

1. MOUNTING CHLORINATOR ON ADAPTOR

- a. Unscrew the cap nut which covers the auxiliary chlorine valve outlet on the TAY-200 adaptor.
- b. Remove any dirt that may be in the valve outlet or on the outlet gasket surface.
- c. Remove any shipping tape from the chlorinator.
- d. Unscrew the chlorinator yoke screw until the sliding valve plate can be pushed all the way back.
- e. Place 1/16" thick lead gasket over the chlorine inlet of the chlorinator. Never use other types of gaskets or gasket materials. Never re-use the lead gasket. Replace the lead gasket any time the chlorinator is removed from the adaptor.
- f. Mount chlorinator on the chlorine valve of the TAY-200 adaptor by placing the chlorinator yoke over the valve. Engage the chlorinator inlet properly with the valve outlet and tighten the yoke screw, compressing the lead gasket. Excessive tightening will squeeze the lead gasket out of the joint and should be avoided.

2. MOUNTING ADAPTOR/CHLORINATOR ASSEMBLY

Follow these steps after securing the chlorinator onto the TAY-200 adaptor.

- a. Check to be certain that the Chlorine Ton Container is properly secured and that the chlorine valves are aligned vertically (one on top of each other).
- b. Unscrew the cap nut which covers the UPPER chlorine valve outlet. This is the chlorine gas valve. Do not remove the cap nut or disturb the BOTTOM chlorine valve outlet, as this is for discharge of liquid chlorine only.
- c. Remove any dirt that may be in the valve outlet or on the outlet gasket surface.
- d. Unscrew the adaptor yoke screw until the sliding valve plate can be pushed all the way back.
- e. Place 1/16" thick lead gasket over the chlorine inlet of the TAY-200 adaptor. Never use other types of gaskets or gasket materials. Never re-use the lead gasket. Always replace the lead gasket each time the ton container is changed.

- f. Mount ton adaptor/chlorinator assembly on the chlorine gas valve (upper valve) by placing the adaptor yoke over the valve. Engage the adaptor inlet properly with the valve outlet and tighten the yoke screw, compressing the lead gasket. Excessive tightening will squeeze the lead gasket out of the joint and should be avoided.
- g. Plug in the heater cord. Check to make sure the heater is working. The piping should become very warm to the touch before proceeding to start up the chlorinator or to open the ton container gas valve. Chlorinators recommends that if the heater is not operating, the cause should be determined and corrected before opening the ton container gas valve.

NOTE: Once the chlorinator is mounted onto the TAY-200 Adaptor, it should be considered a permanent assembly. There is no reason to disassemble the chlorinator from the adaptor unless servicing is required. If disassembled, follow all installation and start-up instructions after re-assembly.

START-UP

Have strong industrial strength (26° Baumé) ammonia hydroxide and a piece of cloth available to check for chlorine leaks.

1. Open the TAY-200 auxiliary chlorine gas valve (*not* the ton container gas valve) 1/4 to 1/2 turn counterclockwise.
2. Open the ton container chlorine gas valve 1/4 turn and close immediately.
3. Wet cloth in industrial strength (26° Baumé) ammonia hydroxide and hold below the lead gasket adaptor inlet connection and below the lead gasket connecting the chlorinator to the adaptor auxiliary valve. Also hold the cloth below the ton container gas valve bonnet and the adaptor auxiliary gas valve bonnet. If chlorine is leaking, a smoke will appear similar to cigarette smoke. Tighten bonnet or replace gasket and eliminate leaks. (NOTE: Do not pour ammonia solution on the chlorinator, adaptor or ton container valve.)
4. Open the chlorine cylinder valve 1/4 turn, leave open and recheck for chlorine leaks.
5. Start-up chlorinator following manufacturer's instructions.

chlorinators

1044 SE Dixie Cutoff Road, Stuart, Florida 34994 USA

Phone: (772) 288-4854 • Fax: (772) 287-3238 • www.regalchlorinators.com • Email: info@regalchlorinators.com