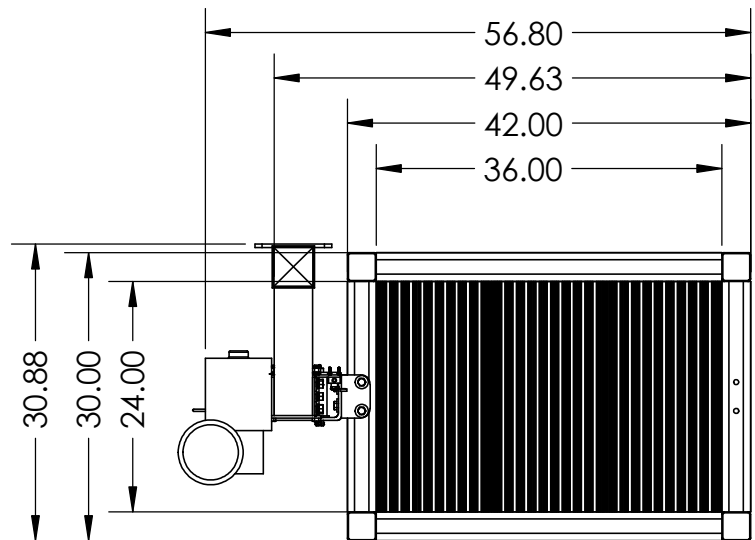
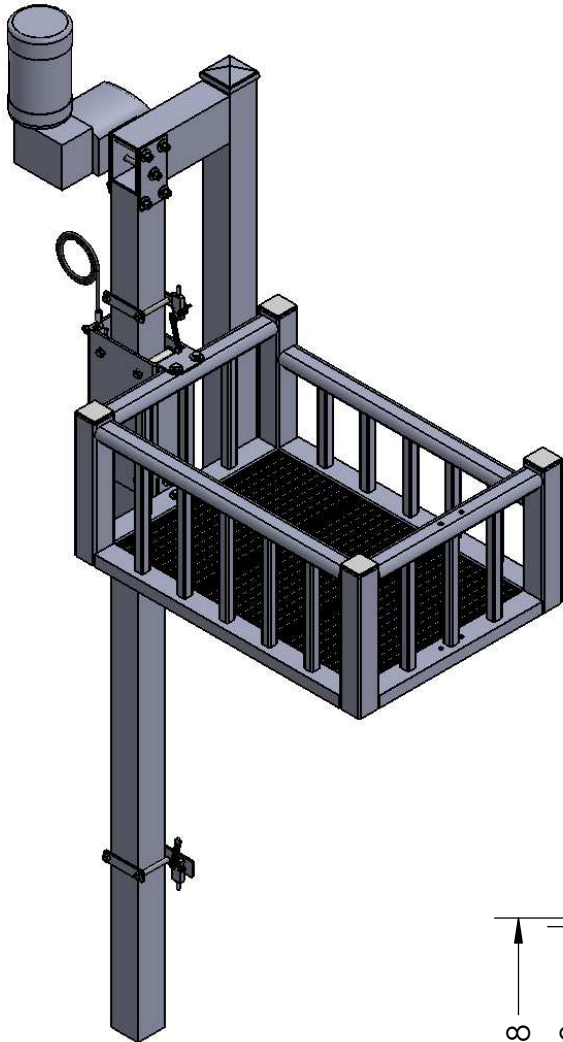


Patent Pending
BEACH BUTLER®

RESIDENTIAL CARGO LIFTS

SL-500 CARGO LIFT



PRODUCED IN ASSOCIATION WITH: TIDE TAMER INDUSTRIES, INC.



PH: 800-325-1116
FAX: 252-747-4377
TIDETAMER.COM
P.O. BOX 1118
SNOW HILL, NC 28580



**Manufacture requires this form be filled out before they will start your order.*

Travel height need for this lift: _____

Mount Option: IN Ground or Top of Concrete (Requires addition of Concrete Mounts)

I need a TWO stop lift. (ground level counts as one stop).

I need a THREE stop Lift (ground level counts as one stop)

Add Bottom Limit Switch: Yes No

Add Extra Transmitters: Yes No

Add a Powder Coated custom color? Yes No

PLEASE READ INSTRUCTIONS

I certify I have read the installation instructions and I don't need any special modifications for this installation. I further understand, if I am mistaken the expense to ship and make any modifications are at my expense.

Signed: _____ Date: _____

The above named customer has been informed by me that the Beach Butler Cargo Lift is to be used for cargo only and at no time should a person or animal ride this lift.

SPECIAL INSTRUCTIONS:

