

SHC Elevator

By Staying Home Corporation



I love how I can see where I'm going, and I can use my personal elevator even during a power outage.



SE Model Shown



3 Stops

Now Available

On Hoistway Installed Units Only

Elevator with modular see-thru hoistway

HE Model



Easy to retrofit into beach-front properties.
No pit or machine room required.
Makes carrying luggage and groceries easy and convenient.

The industry's ONLY battery powered residential elevator

The SHC elevator virtually eliminates concerns regarding power outages. The unit can run multiple trips (10+), in BOTH directions, on its own batteries.

- Compact design retrofits into most homes
- Open-view design allows you to see out at all times
- Affordable and easy to install
- Choose from a hoistway, or no-hoistway model
- Designed to meet ASME standards
- 3 year warranty - 2 year battery warranty
- Optional colors available



Easy Controls



Sliding Door



Flip Down Seat / Telephone

We have a small house but still found room for this elevator.

- Compact design with small footprint
- Installs against any wall - even non-load bearing
- No elevator pit or machine room required
- Designed specifically for retrofitting into homes
- Sliding radial door eliminates need for "swing out" space



This is much better, and more affordable, than selling our two-story to buy a ranch.

- Adds value to your home
- Surprisingly affordable
- Minimal construction required - cut a hole in the floor
- No special wiring required - runs on household current



I didn't want to move, and now I can stay in the house I love, with peace of mind.



Larger Cab Option For Hoistway Installations Only:

- 36" wide door
- 42" x 42" cab
- Wheelchair capable
- 500 lbs. capacity
- 90° turn optional
- 2 or 3 stops



Must be installed in hoistway

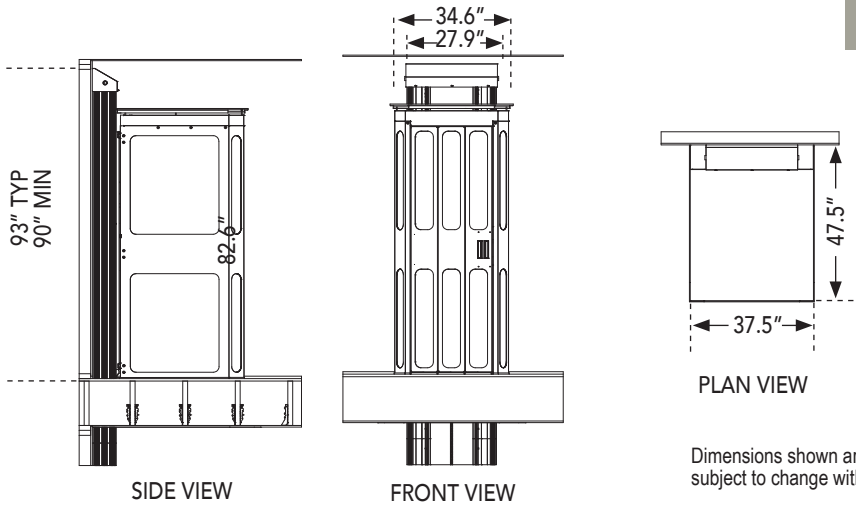


**3 Stops
Now Available**

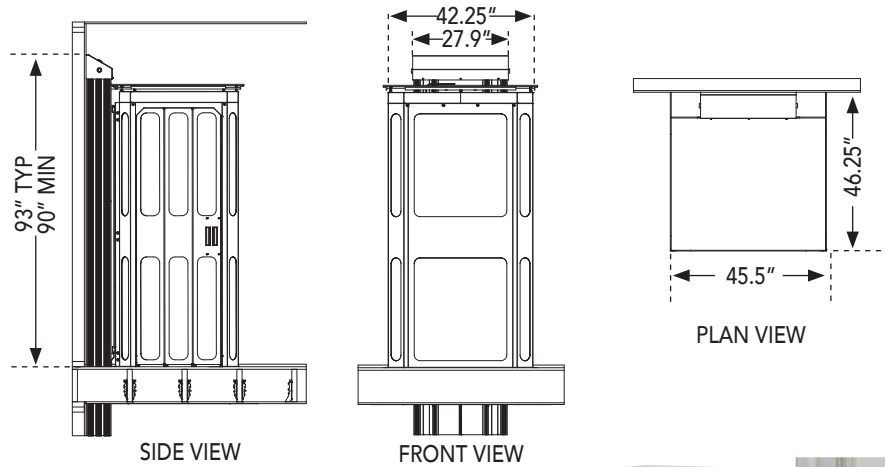
On Hoistway Installed Units Only

3 Versatile Configurations

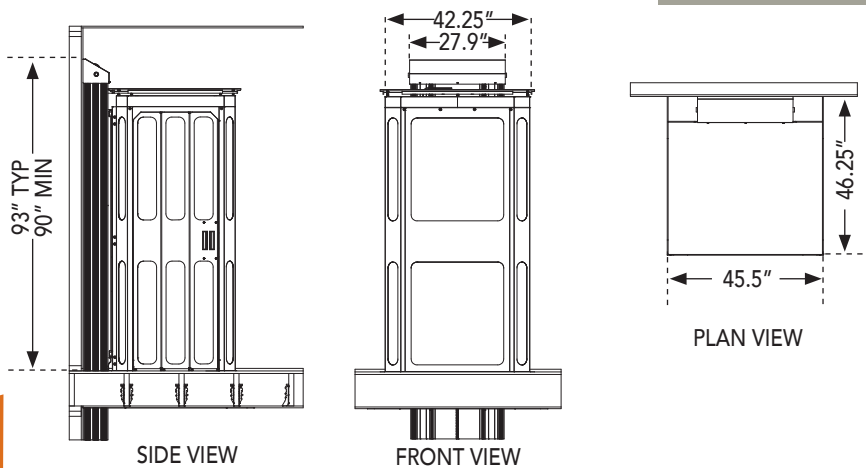
Front Entry



Side Entry



Passthrough Entry



NEW

Free Standing Rail: Your elevator can also be installed in the middle of a room with a free standing rail.

