



# Telecab17

RESIDENTIAL ELEVATOR

## Planning Guide

**Applicable Codes:**

ASME A17.1/CSA-B44

Safety Code for Elevators and Escalators

Section 5.3 – Private Residential Elevators

Part No. 001079  
15-m03-2017

---

Copyright © 2017  
Savaria Concord Lifts, Inc.  
All rights reserved.

Printed in Canada

---

## Purpose of This Guide

This guide assists architects, contractors, and lift professionals to incorporate the Telecab17 Residential Elevator into a residential building design. The design and manufacture of the Telecab17 Residential Elevator meets the requirements of the following codes and standards:

- ASME A17.1-1996 Section 5
- CAN/CSA B44-2010 Section 5.3

We recommend that you contact your local authority having jurisdiction to ensure that you adhere to all local rules and regulations pertaining to residential elevators.

**IMPORTANT:** This Planning Guide provides nominal dimensions and specifications useful for the initial planning of a residential elevator project. Dimensions and specifications are subject to change without notice due to continually evolving code and product applications.

Before beginning actual construction, please consult Savaria Corporation or the authorized Savaria dealer in your area to ensure you receive your site-specific installation drawings with the dimensions and specifications for your project.

Visit our website for the most recent Telecab17 drawings and dimensions.



**NOTE:** These specifications are for Telecab17 only. For other sizes with a smaller load capacity, ask your Savaria dealer about the original Telecab (500-lb capacity) described in the original Telecab Planning Guide, P/N 000698.

## How to Use This Guide

- 1 Determine your client's intended use of the lift.
- 2 Determine the local code requirements.
- 3 Determine the site installation parameters.
- 4 Determine the cab type and hoistway size requirements.
- 5 Plan for electrical requirements.

## History

March 2, 2017 – Initial release

March 15, 2017 – Added Note on this page, at top of page 4, and on page 7 referencing the original Telecab product

## Specifications



**NOTE:** These specifications are for Telecab17 only. For other sizes with a smaller load capacity, ask your Savaria dealer about the original Telecab (500-lb capacity) described in the original Telecab Planning Guide, P/N 000698.

### Telecab17 Specifications

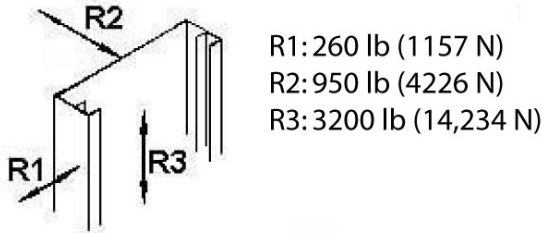
Specification	Specification Data
Load capacity	845 lbs. (384 kg) for 30" x 46" cab and 36" x 54" cab
Maximum travel	23 ft (7.0 m)
Travel speed	20 ft/min (0.1 m/s)
Noise level (for typical installation)	72.9 dBA (up direction); 50.0 dBA (down direction) Measured at a height of 1m, distance of 1m, in front of the motor with all panels on
Daily cycle	Normal: 30 Heavy: 75 Excessive: 100 Maximum starts in 1 hour on standard installation: 12 NOTE: Please consult your Sales Representative if there a chance you may exceed these amounts.
Tower	Modular 8 ft (2.4 m) guide rail assembly with roller guide shoes
Control system	115 VAC relay logic operation 115 VAC up direction and 24 VDC down direction
Levels serviced	2 levels
Platform	Non-skid platform
Power supply (circuit supplied by others)	110 VAC, 30A, 60 Hz, single phase
Lighting supply (circuit supplied by others)	120 volt, 15A, 60 Hz, single phase
Motor/pump	24 VDC, 3 Hp (2.1 kW) Gear type hydraulic pump
Electrical	Automatic battery recharging system (115 VAC) Low voltage controls
Drive system	2:1 roller chain hydraulic
Temperature operating range	-10 °C to +40 °C (14 °F to 104 °F)
Cab access	Front access only (standard)
Cab dimensions	30" x 46" x 80" (762 mm x 1168 mm x 2032 mm) 36" x 54" x 80" (914 mm x 1372 mm x 2032 mm)
Door size	84" x 33.3" (2134 mm x 846 mm) - for 30" x 46" cab 84" x 39.3" (2134 mm x 998 mm) - for 36" x 54" cab
Minimum overhead clearance	96" (2438 mm) to have 6" minimum clearance by code 92" (2337 mm) where code permits
Hall calls	Continuous pressure directional push buttons Keyed call/send
Color and finish	White electrostatic powder coat Clear acrylic windows
Safety features	Adjustable top floor presence detector built into the cab Door interlock Hydraulic door closer Underpan safety sensor Emergency stop and alarm Emergency battery lowering Manual emergency lowering Fully-enclosed drive tower Pressure relief valve to prevent platform overload Slack chain safety device Two halogen lights in cab Telephone in cab
Optional equipment	Battery operation in up and down directions

### Site Construction Details

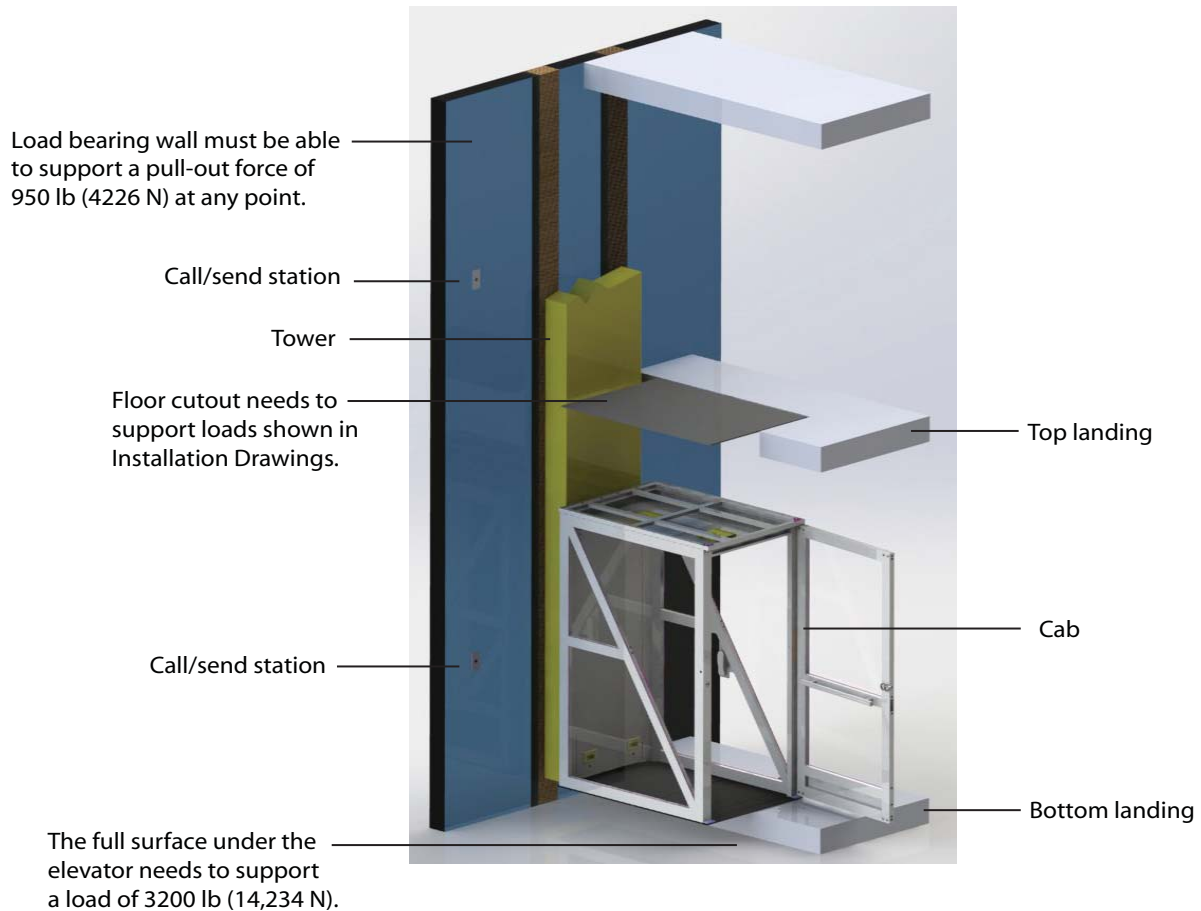
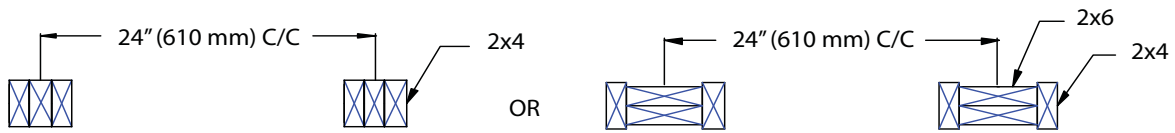
The Telecab17 needs a wall that supports a minimum of 950 lb (4226 N) of pull-out force at any bracket. The floor must be capable of supporting a load of 3200 lb (14,234 N). See Figure 1.

A support wall with a combination of either two columns of three 2x4's, two columns of two 2x4's and two 2x6's, or a concrete or brick wall is required. Figure 2 shows the support wall configuration

**Figure 1: Wall/floor loading**



**Figure 2: Support wall configuration**

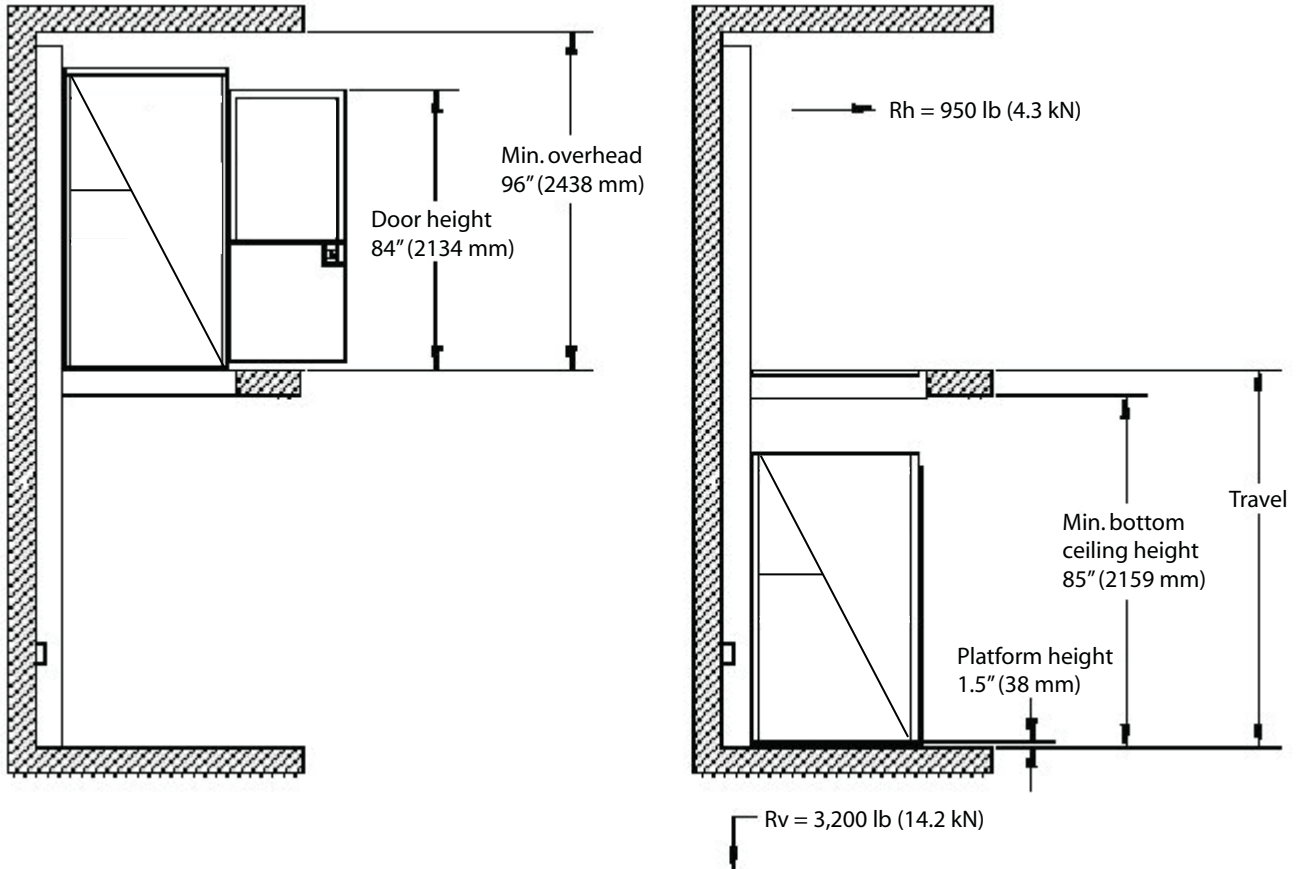


## Elevation View

The following illustration shows the general elevation view and dimensions of the Telecab17. Note that the minimum overhead is 96" (2438 mm) for a 80" (2032 mm) inside height cab dimension.

Refer to your site-specific Installation Drawings for details relevant to your job site.

**Figure 3: Elevation view and dimensions**

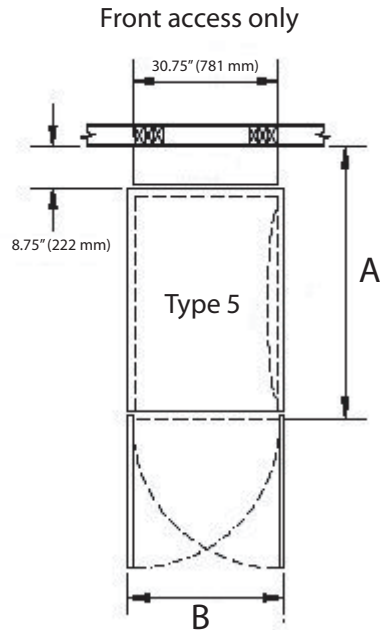


## Cab Types

Cab types and sizes are listed below. Always refer to your site-specific Installation Drawings for details.

- Type 5 – 30" x 46" x 80", front access only
- Type 5 – 36" x 54" x 80", front access only

**Figure 4: Type 5 cab (front access only)**



## Drawings

The following page shows installation drawings for both sizes of the Telecab17.



**NOTE:** These specifications are for Telecab17 only. For other sizes with a smaller load capacity, ask your Savaria dealer about the original Telecab (500-lb capacity) described in the original Telecab Planning Guide, P/N 000698.

Figure 5: Type 5 – 36" x 54" x 80", front access only

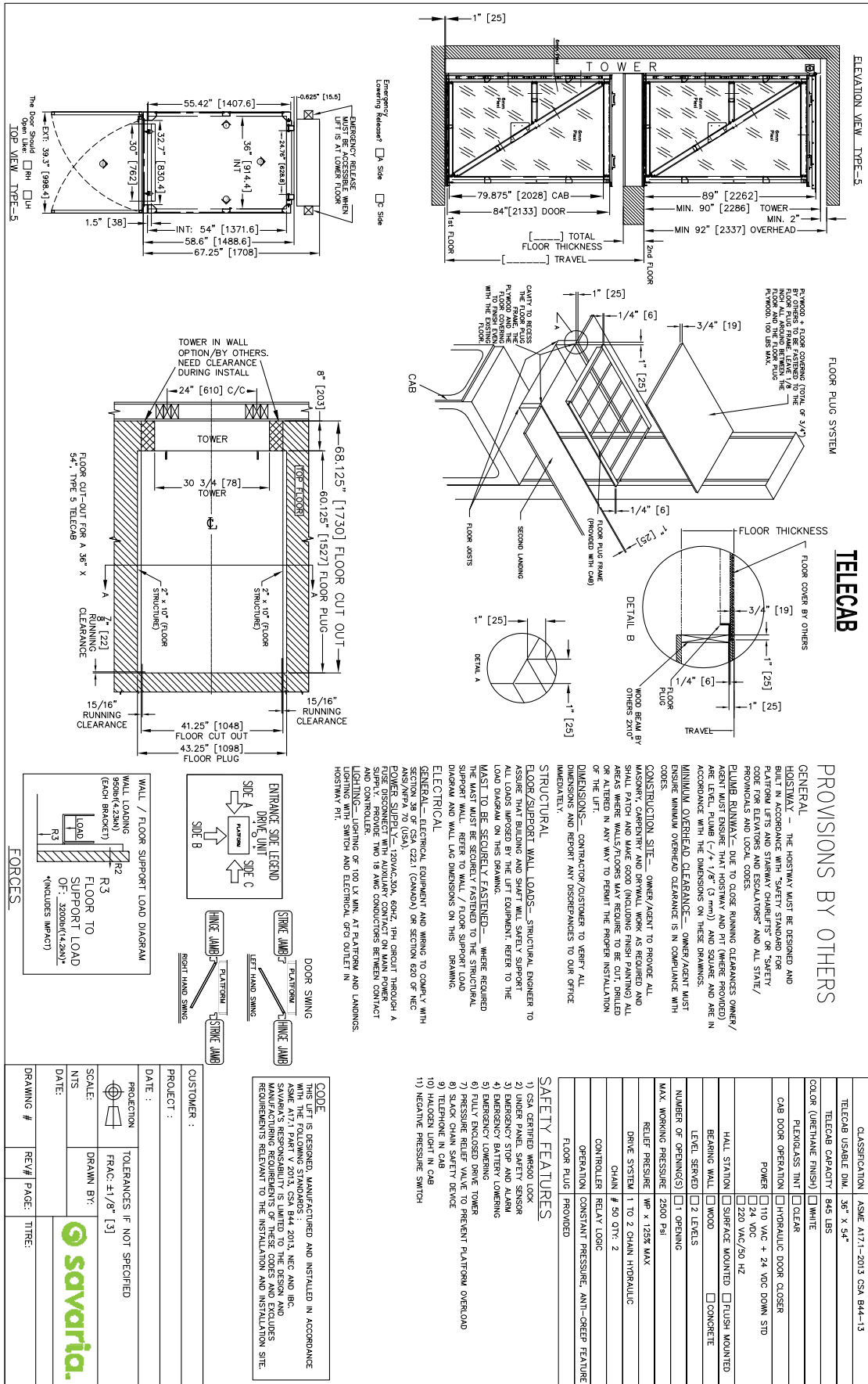
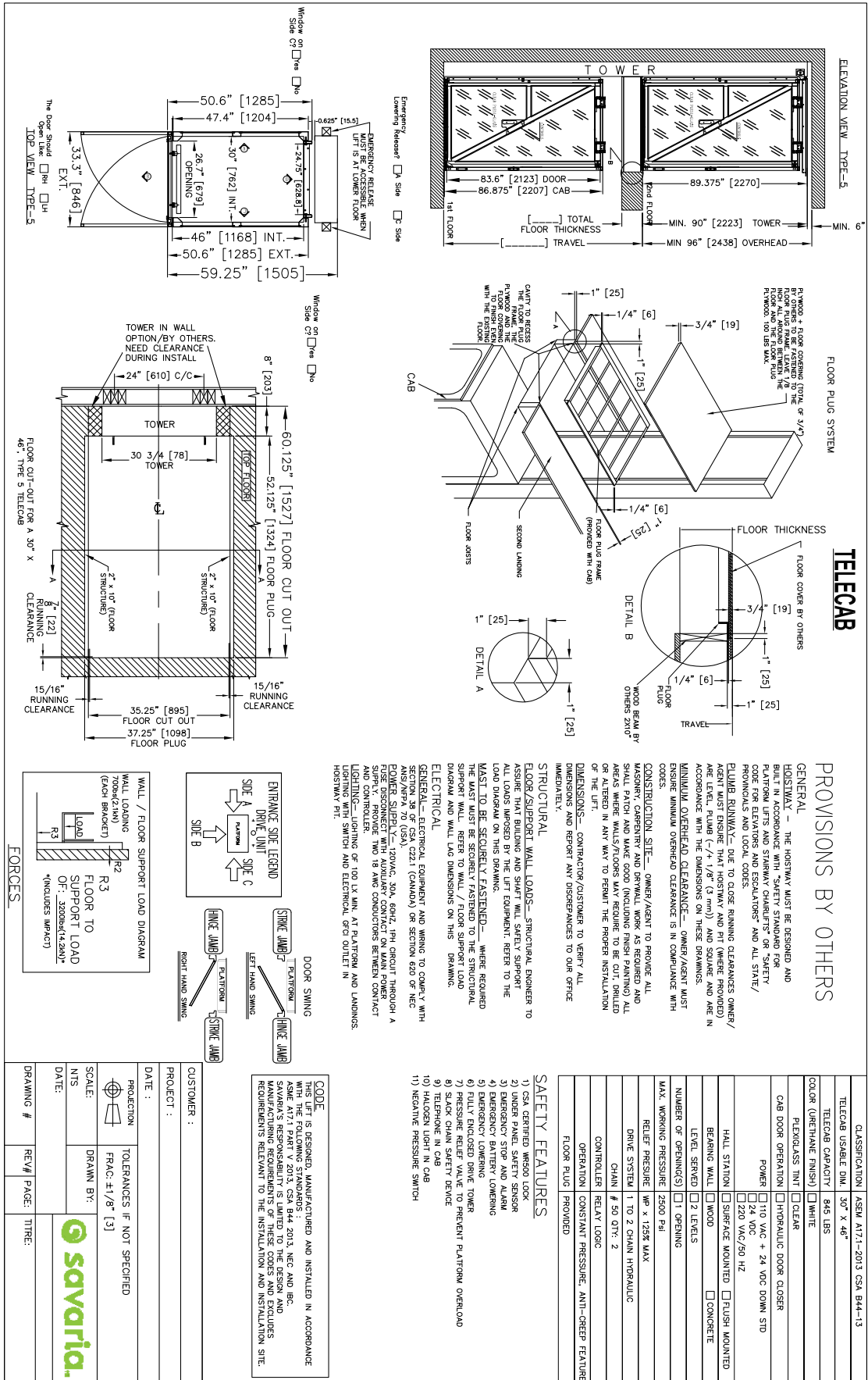




Figure 6: Type 5 – 30" x 46" x 80", front access only



# **Telecab17 Residential Elevator PLANNING GUIDE**

Part No. 001079  
Copyright © 2017

Savaria Concord Lifts, Inc.  
[www.savaria.com](http://www.savaria.com)

Sales  
2 Walker Drive  
Brampton, Ontario, L6T 5E1, Canada  
Tel: (905) 791-5555  
Fax: (905) 791-2222  
Toll Free: 1-800-661-5112

