

7MW Super Turbine

Performance

Rated Power	7mw
Max Power	7.2mw
Rated Wind Speed	12m/s
Cut-In Speed	2m/s
Cut-Out Speed	30m/s
Survival Wind Speed	60m/s

Physical Parameters

Mill Diameter	837ft/255m
Standard height of pole	65.6ft/20m

Generator Parameters

Type	PMG 3 Phase
Rated Voltage	AC 480V
Rated Current	AC 120.4A

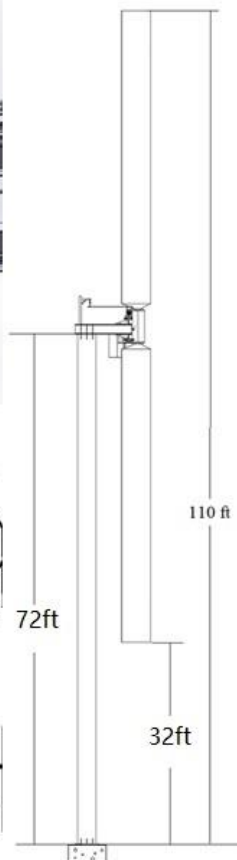
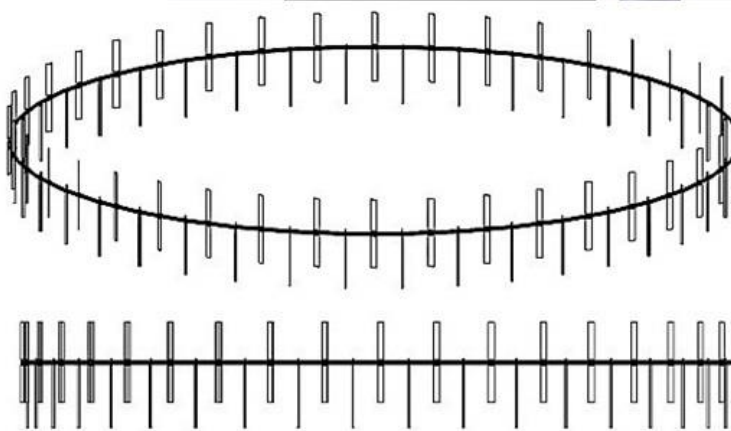
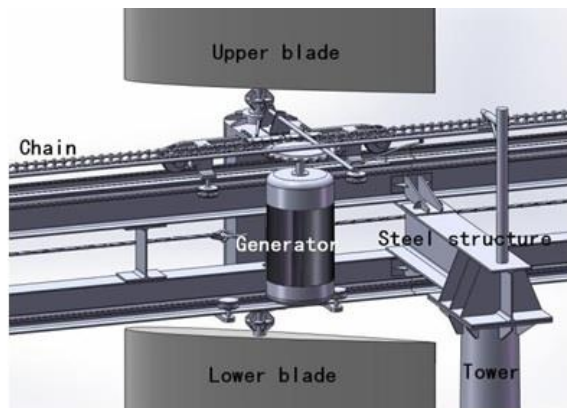
Protection & Braking System

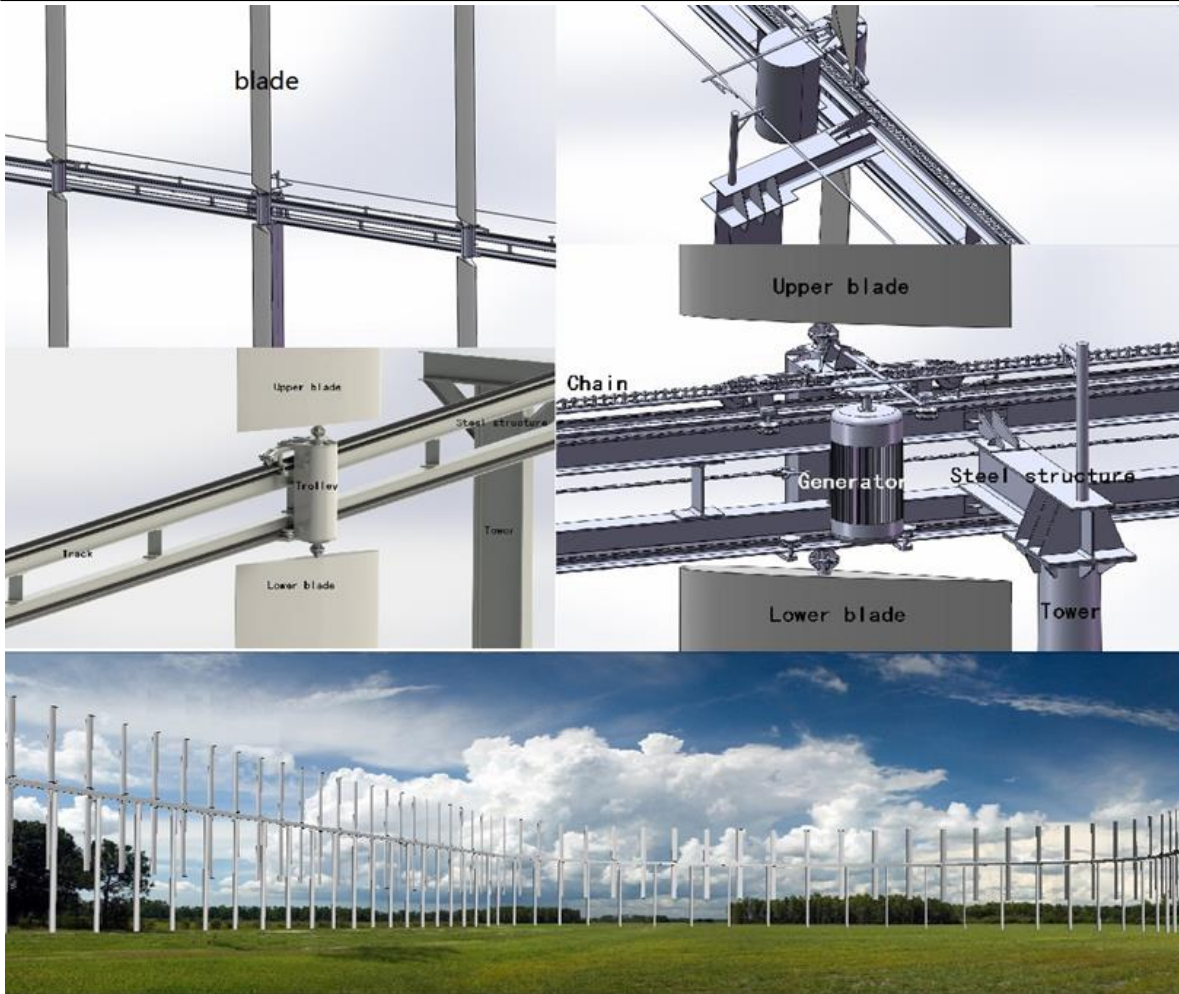
Speed Control: Active real-time attack angle regulation tech.

Brake Style: Automatic brake system

Protection Level: IP54

Remote Monitoring System: Standard





Patented:
 US 9366226
 US 9394883
 EU 2910775

Annual power generation of 7MW at different average wind speed

Average wind speed at 20m height	5m/s	5.5m/s	6m/s	6.5m/s	7	7.5	8	8.5	9	9.5	10
Power generation mWh	7,500	9,800	12,800	16,200	20,300	25,000	30,300	36,400	43,200	50,800	59,200