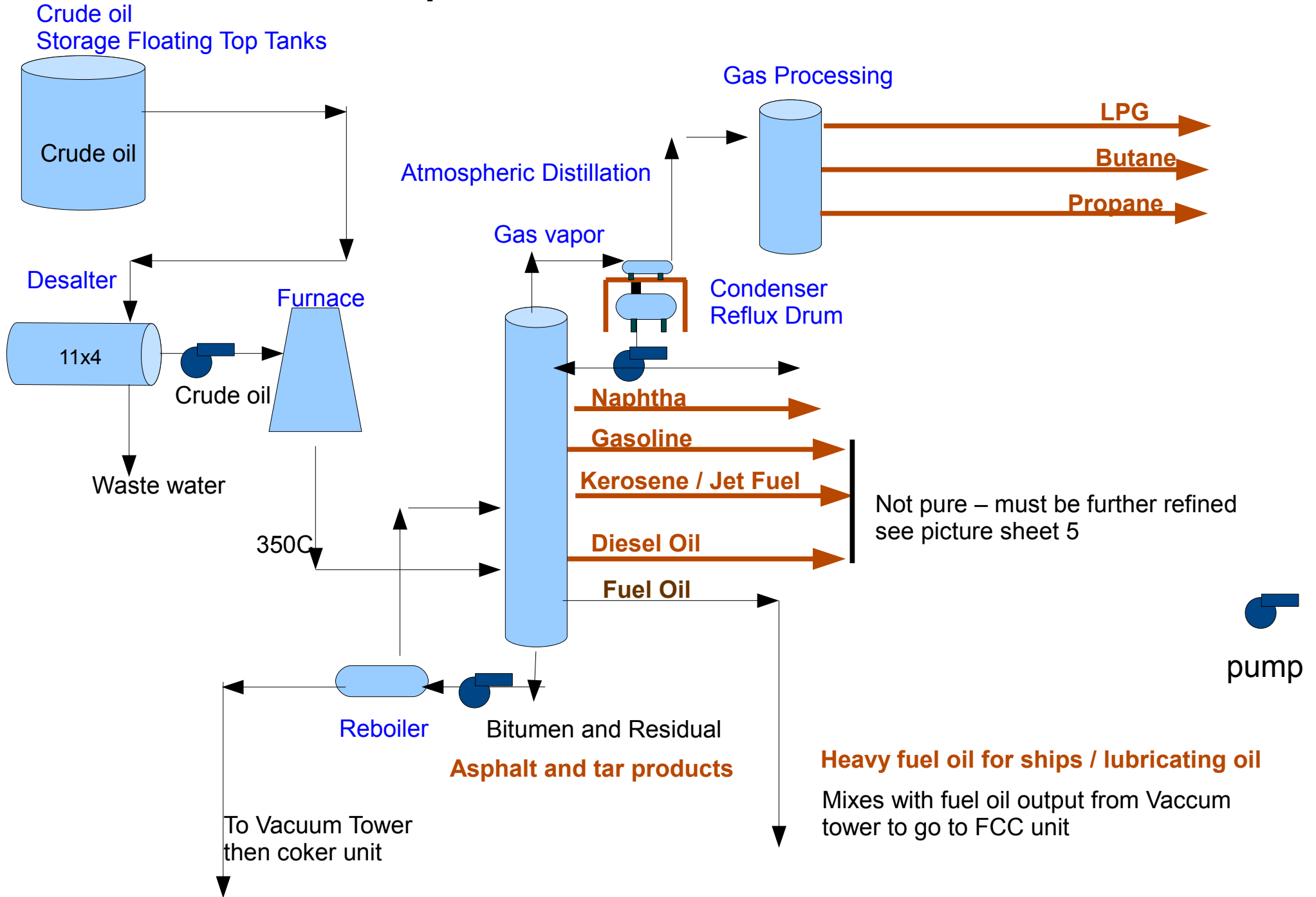
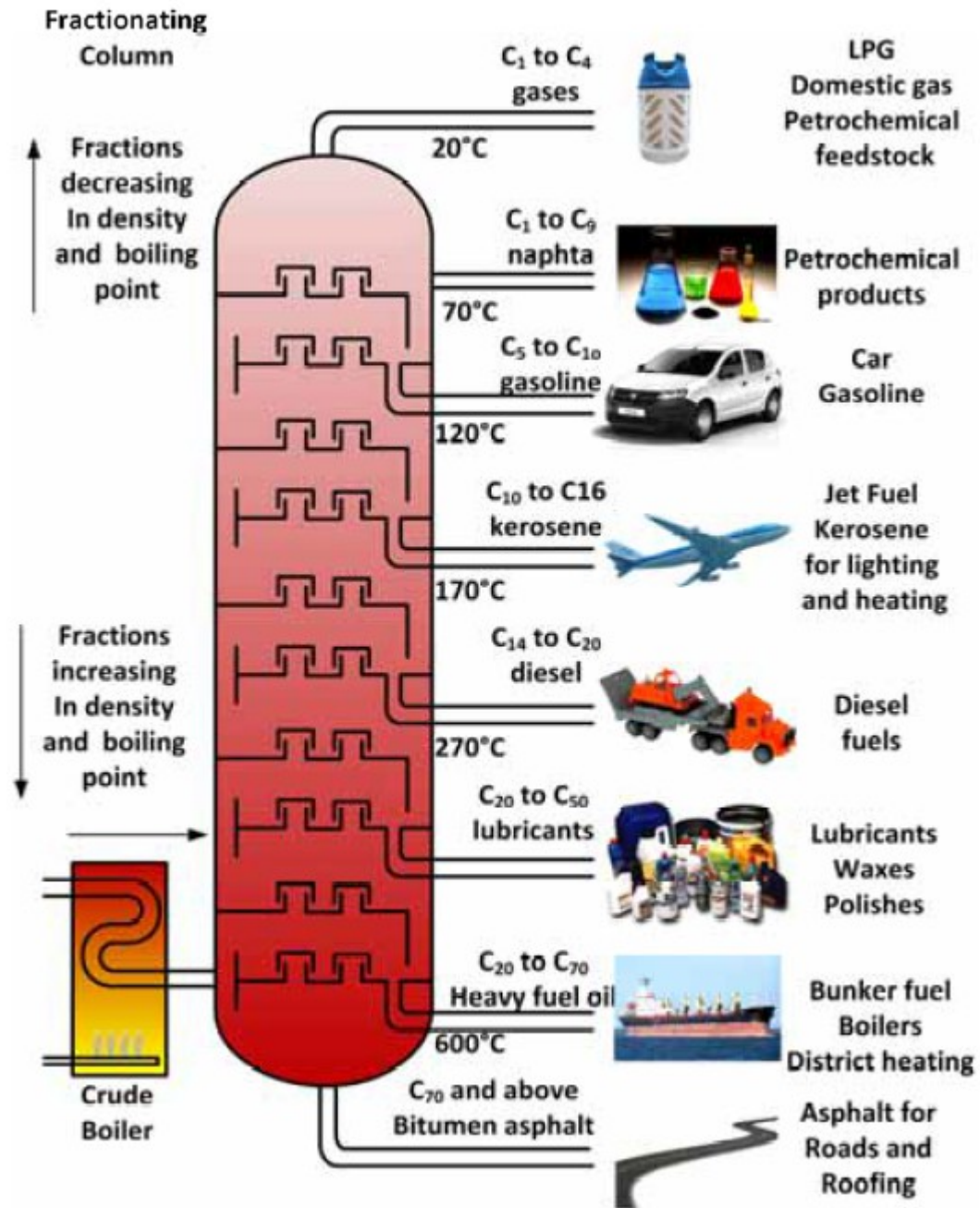


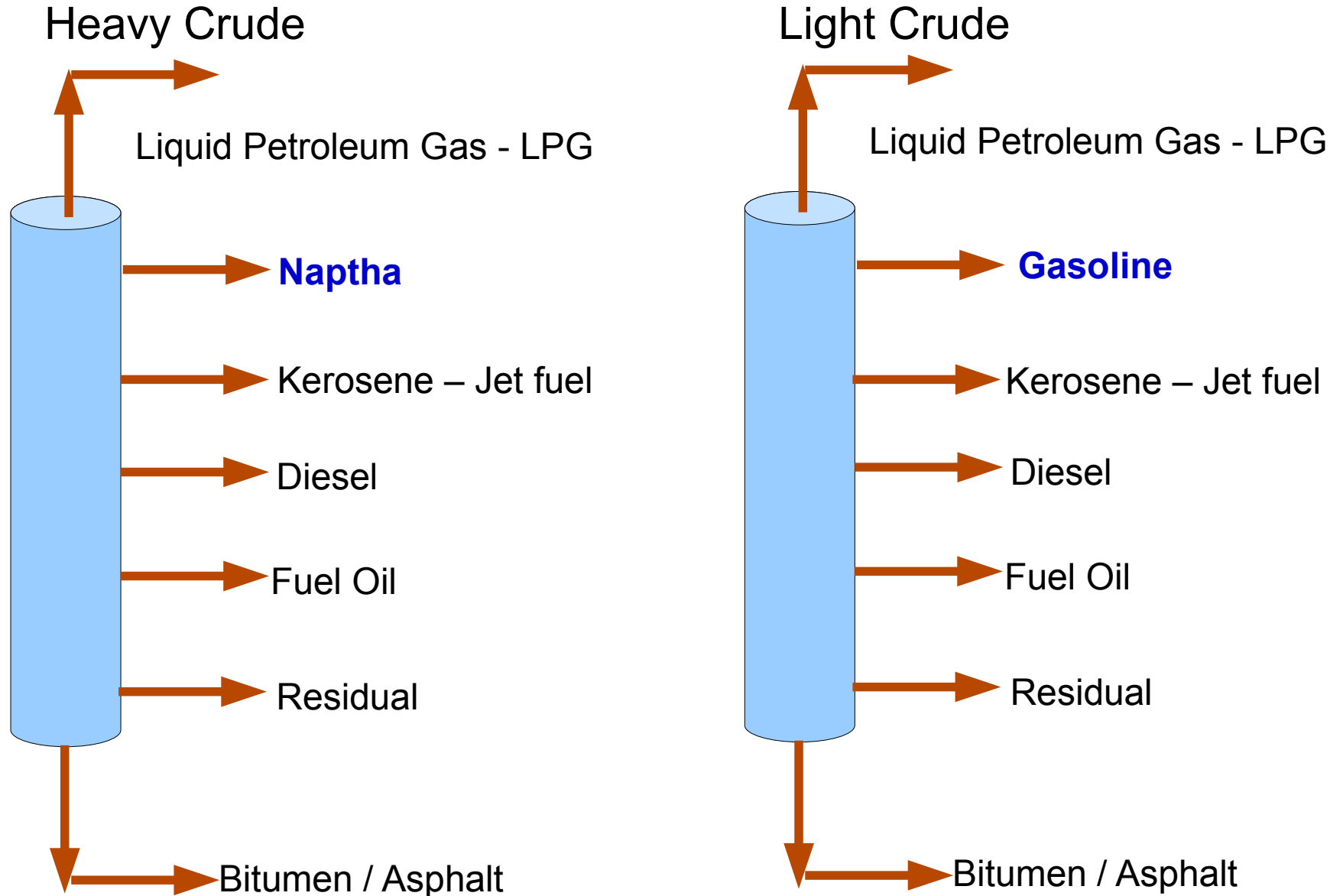
Simple Process Flow for Customer



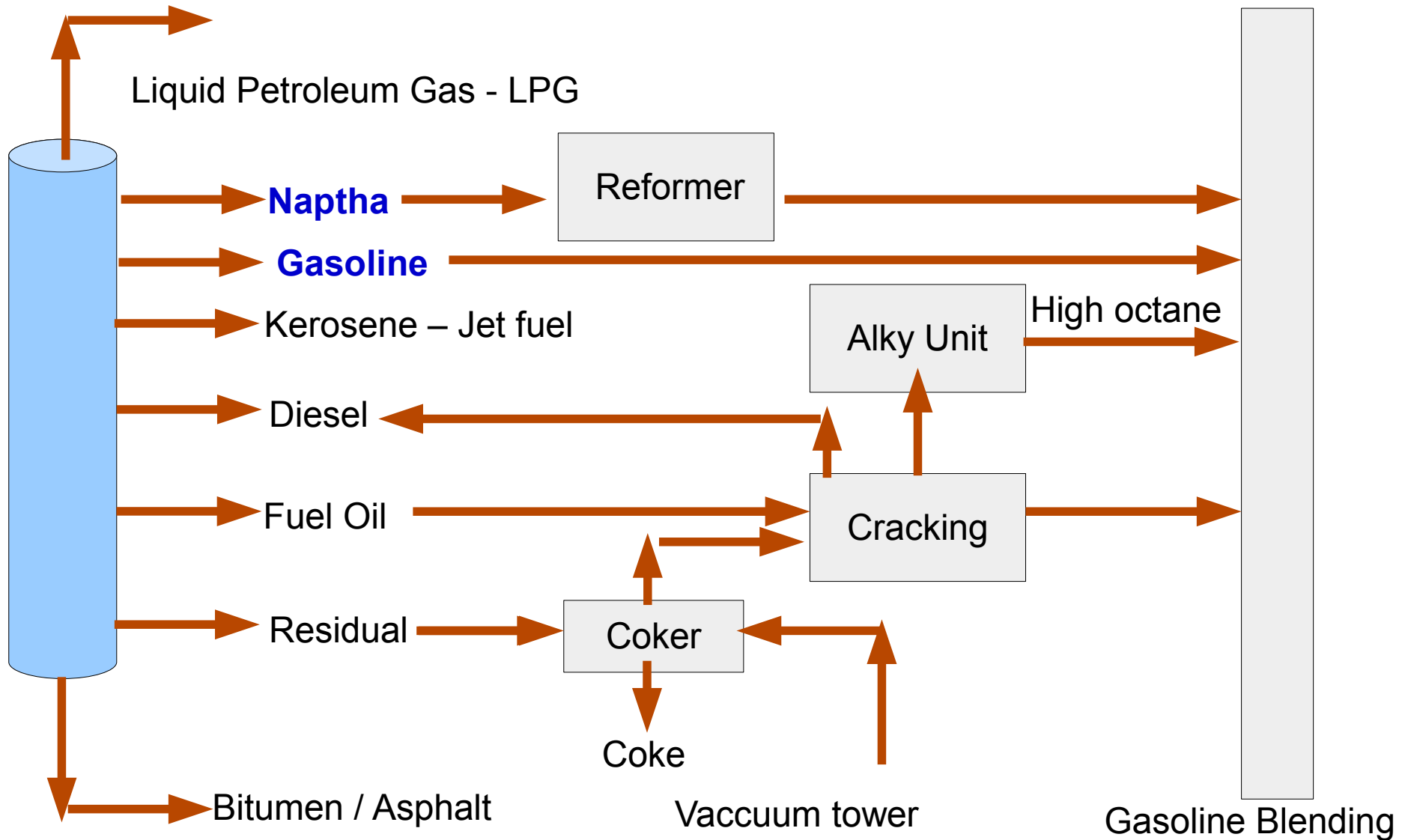
Generalized Output Flow



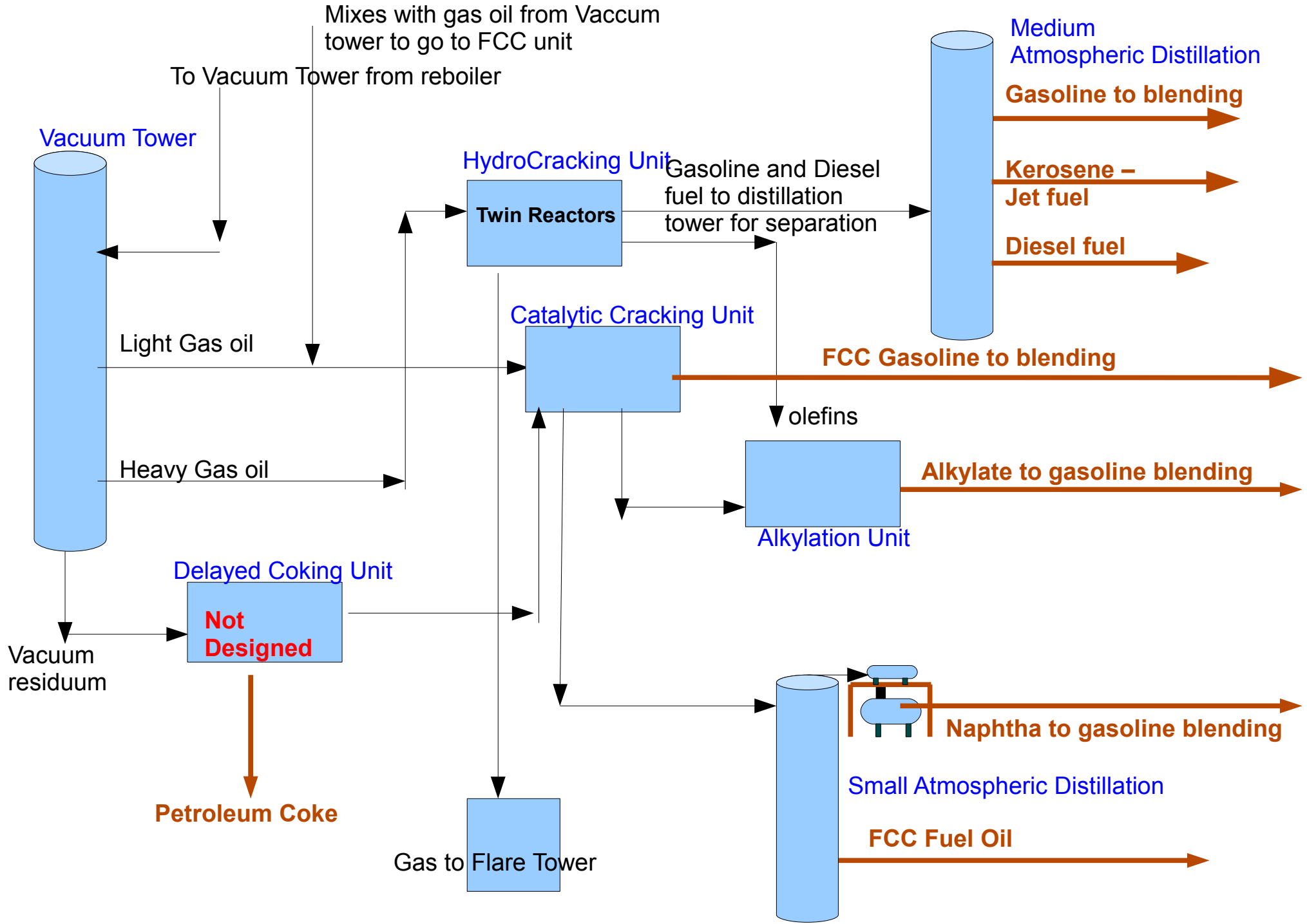
Heavy versus Light Crude Output Flow



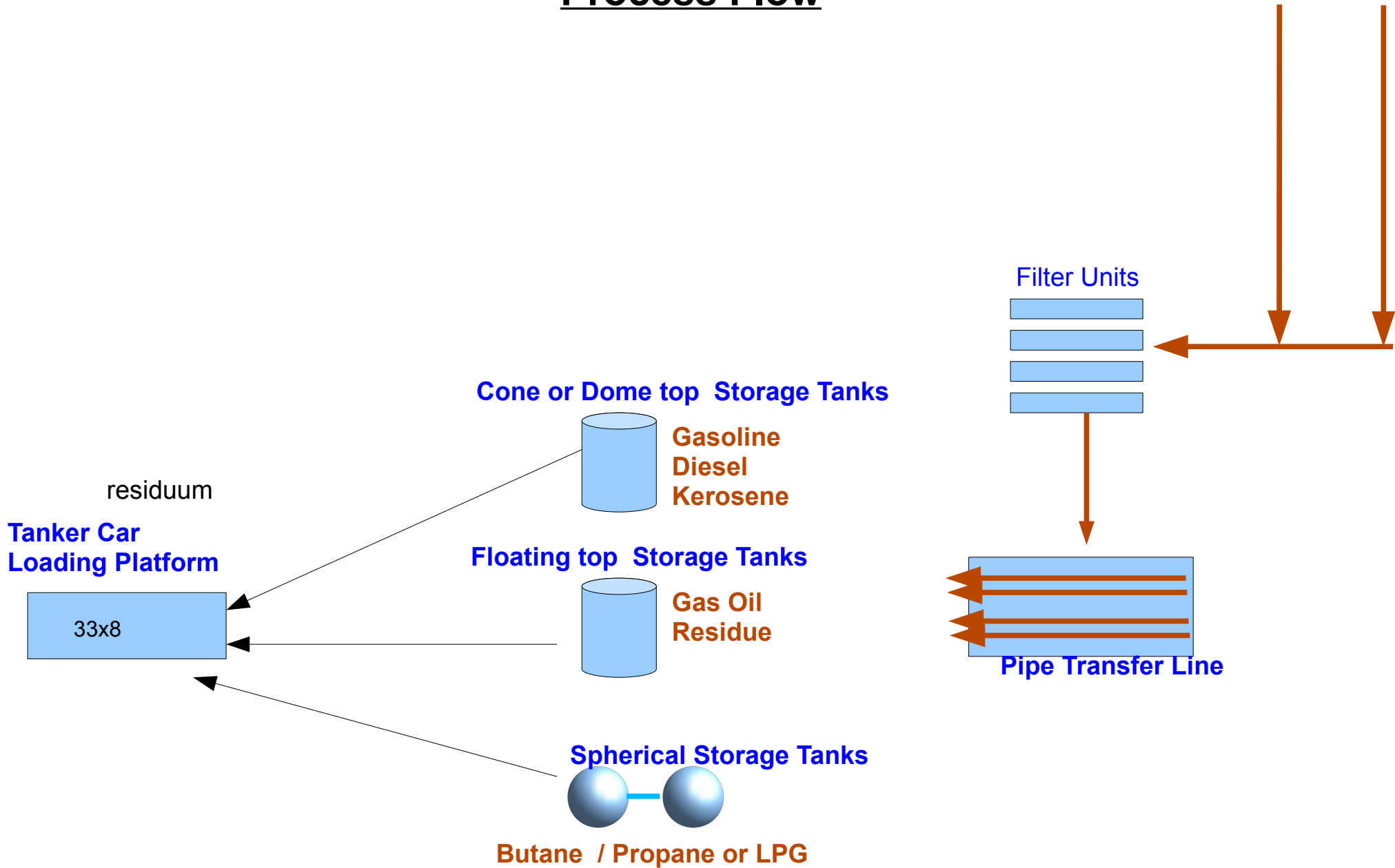
Generalized Output Flow

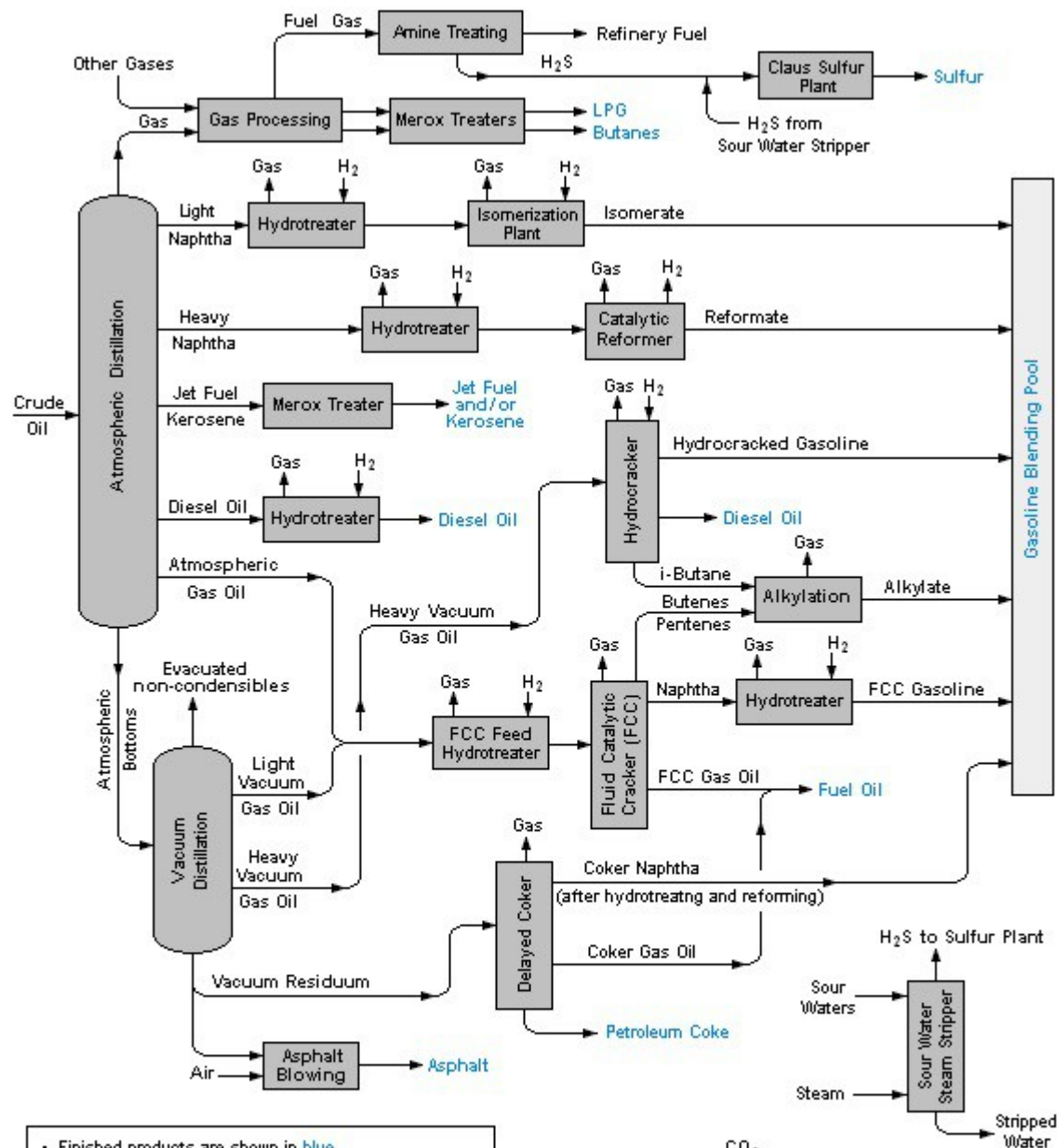


Simple Process Flow for Customer

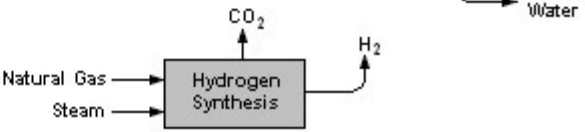


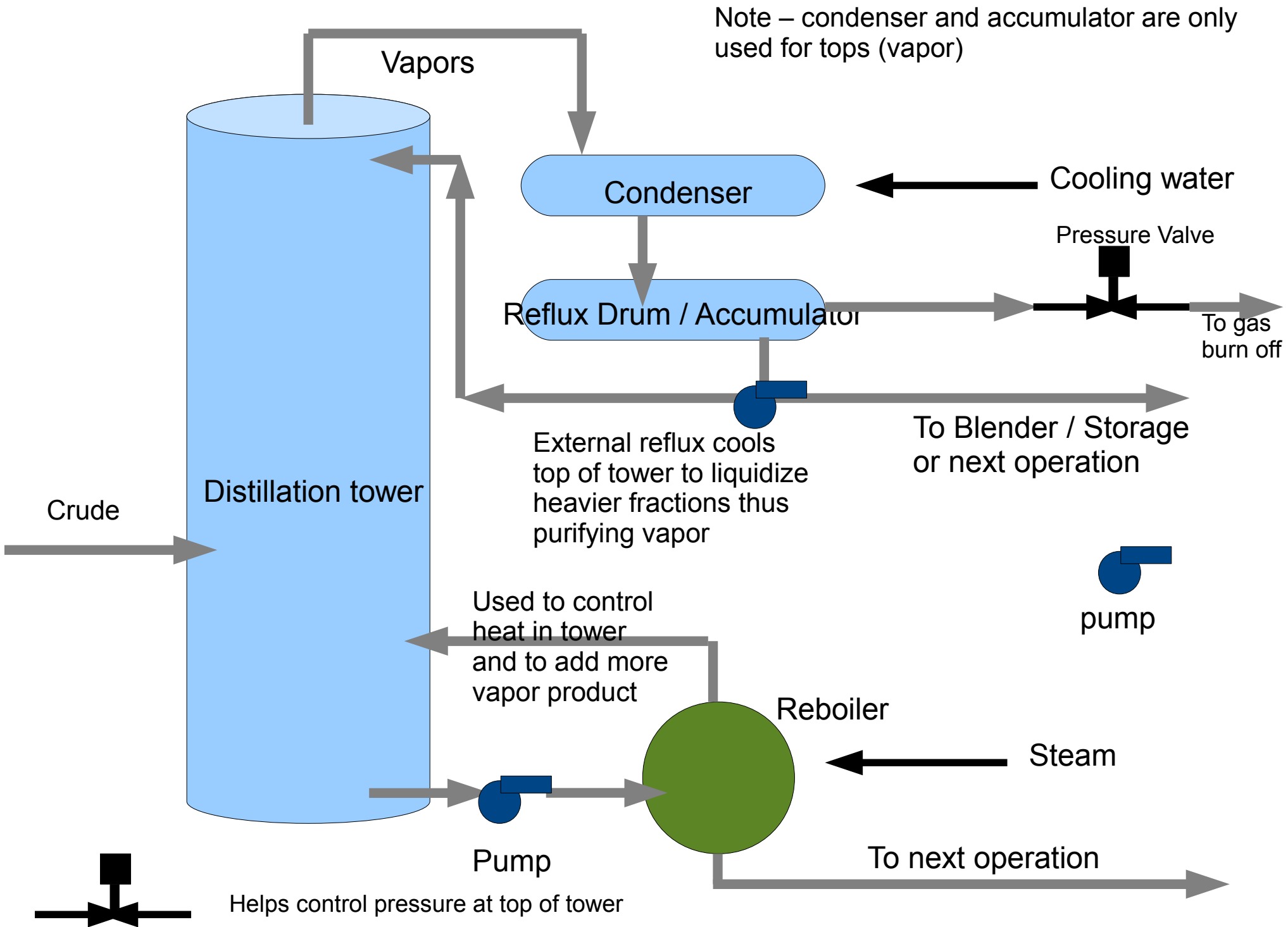
Process Flow





- Finished products are shown in blue
- Sour waters are derived from various distillation tower reflux drums in the refinery
- The "other gases" entering the gas processing unit includes all the gas streams from the various process units





Detailed Process flow

