

# PRO-SEAL 34: Commercial Cooler/Freezer Sealant



Caulking Adheres through water, oil, and grease. Applies at and adheres at  $\geq -70^{\circ}\text{F}/56.7^{\circ}\text{C}$ .

Pro-Seal 34 caulking sealant is ideal for commercial industrial walk-in coolers and freezers as well as smaller units. Pro-Seal 34 polycarbon/polycarbonate caulking sea-ant is a green material and passes USDA and FDA for use as a food group mechanism sealant and is NSF 61 certified for potable water. It also has the City of LA LARR # 26015 and CSI # 07130.

Pro-Seal 34 offers a professional the long-term performance difference combined with ease of rapid application. This material is highly adhesive and sticks to the first contact surface it contacts.



Table, (below), demonstrates the comparative difference's between traditional caulking's and polycarbon/poly-carbonate nano caulking. The differences will greatly reduce or eliminate site-callbacks, increase productivity, and reduce application time costs.

**Caulking Properties Comparison Table**

| Properties  | Silicone | Sulfide | Vulcum | Urethane | Acrylic | Lexan | RTV  | Polycarbomate | Butyl | Pro-Seal 34 |
|---|----------|---------|--------|----------|---------|-------|------|---------------|-------|-------------|
| water soluble   | some     | no      | no     | no       | yes     | no    | some | no            | no    | no          |
| cohesion  | yes      | yes     | yes    | yes      | yes     | yes   | yes  | yes           | no    | no          |
| adhesion  | no       | no      | no     | no       | no      | no    | no   | no            | yes   | yes         |
| adheres to damp surfaces  | no       | no      | no     | no       | no      | no    | no   | no            | no    | yes         |
| adheres to wet surfces  | no       | no      | no     | no       | no      | no    | no   | no            | no    | yes         |
| adheres to oily surfacces   | no       | no      | no     | no       | no      | no    | no   | no            | no    | yes         |
| adheres under water application                                   | no       | no      | no     | no       | no      | no    | no   | no            | no    | yes         |
| adheres to teflon   | no       | no      | no     | no       | no      | no    | no   | no            | no    | yes         |
| adheres galvanized metal  | no       | no      | no     | no       | no      | no    | no   | no            | no    | yes         |
| single component  | yes      | yes     | yes    | yes      | yes     | yes   | yes  | yes           | yes   | yes         |
| adheres to metal roof material                                    | no       | no      | no     | no       | no      | no    | no   | no            | some  | yes         |
| adheres to rubber roof material                                   | no       | no      | no     | no       | no      | no    | no   | no            | no    | yes         |
| adheres to teflon roof material                                   | no       | no      | no     | no       | no      | no    | no   | no            | no    | yes         |
| adheres to TPE roof material                                      | no       | no      | no     | no       | no      | no    | no   | no            | no    | yes         |
| adheres to asphalt roof material                                  | no       | no      | no     | no       | no      | no    | no   | no            | some  | yes         |
| adheres to kynar finish   | no       | no      | no     | no       | no      | no    | no   | no            | no    | yes         |
| cures hard  | yes      | yes     | yes    | yes      | yes     | yes   | yes  | yes           | no    | no          |
| remains flexible and pliable                                      | no       | no      | some   | no       | no      | no    | no   | no            | some  | yes         |
| spot repairable without removal                                   | no       | no      | no     | no       | no      | no    | no   | no            | no    | yes         |
| cardboard tube  | yes      | yes     | yes    | yes      | yes     | yes   | yes  | yes           | yes   | no          |
| Durable Plastic tube  | no       | no      | no     | no       | no      | no    | no   | no            | no    | yes         |
| changeable tip  | no       | no      | no     | no       | no      | no    | no   | no            | no    | yes         |
| Clear is glass clear  | no       | no      | no     | no       | no      | no    | no   | no            | no    | yes         |
| Seals upon application, no cure time requirement to create a seal | no       | no      | no     | no       | no      | no    | no   | no            | no    | yes         |
| Maintains memory building stress in seal when movement occurs     | yes      | yes     | yes    | yes      | yes     | yes   | yes  | yes           | yes   | no          |
| Shelf life unopened in months                                     | 6        | 6       | 6      | 6        | 6       | 6     | 6    | 6             | 6     | 24          |
| Shelf life open in months   | 0        | 0       | 0      | 0        | 0       | 0     | 0    | 0             | 0     | 6           |



# PRO-SEAL 34: Commercial Cooler/Freezer Sealant



Caulking Adheres through water, oil, and grease. Applies at and adheres at  $\geq -70^{\circ}\text{F}/56.7^{\circ}\text{C}$ .

| Technical Information | Values  |
|-----------------------|---|
| Material              | 1 part, Single Component                      |
| Mix Time              | Not Applicable                                |
| Appearance            | Mastic - Paste                                |
| Cure time             | 40 mils/ day<br>Not relevant seals on contact |
| Full Cure             | Depends on Bead Dia., 72 hrs (typ)            |
| Specific Gravity      | 1.096, water = 1                              |
| Elongation            | $\geq 1200\%$                                 |
| Stretch               | $\geq 350\%$ across elongation                |
| Shrinkage             | $\leq 15\%$                                   |
| Viscosity             | Varies w/ tube temperature paste (typ)        |
| Colors                | Clear, White, Grey, Black, Brown              |
| Packaging             | 10.2 oz tube, 1, 5, & 55 gal                  |

| Joint size  | Linear Feet / Tube |
|-------------|--------------------|
| 1/8"x1/8"   | 106.4              |
| 1/8" x 1/4" | 53.2               |
| 1/8" x 3/8" | 35.4               |
| 1/8" x 1/2" | 26.6               |
| 1/8" x 5/8" | 21.3               |
| 1/8" x 3/4" | 17.7               |
| 1/8/ x 7/8" | 15.2               |
| 1/8" x 1"   | 13.3               |
| 1/4" x 1/4" | 26.6               |
| 3/8" x 3/4" | 6.0                |
| 3/8" x 7/8" | 5.1                |
| 3/8" x 1"   | 4.4                |
| 1/2" x 1/2" | 6.7                |
| 1/2" x 5/8" | 5.4                |
| 1/2" x 3/4" | 4.4                |

## Specifications

| ASTM Specifications | Data                    |                          |
|---------------------|-------------------------|--------------------------|
| Test                | Data                    |                          |
| ASTM C 920          | Type S                  | Class 25                 |
| ASTM C 661          | Cured Hardness          | $\geq 15$ Shore A        |
| ASTM C 603          | Extrusion               | 15 seconds               |
| ASTM C 679          | Tack- Free Time         | 72 hrs                   |
| ASTM C 510          | Stain/Color Change      | None                     |
| ASTM C 719          | Adhesion & Cohesion     | Adhesion $\geq$ Cohesion |
| ASTM C 794          | Adhesion Loss in Peel   | No Loss                  |
| ASTM 793            | Accelerated UV Exposure | Opaque @ 2800 AU         |

| Federal Specifications | Data                  |        |
|------------------------|-----------------------|--------|
| Test                   | Data                  |        |
| ASTM C 920             | Vertical & Horizontal | Passes |
| FedSpec TT-S-00230 C   | Slump                 |        |
| Fed Spec TT-S-001543 A | Discoloration Change  | None   |

## Pro-Seal 34 Caulking Sealant:

- Will seal through rain (gunnable 38°F-98°F)
- Will seal through moving water
- Will adhere and stick from -70°F/-56.7 °C to +220°F/ 104.5°C (34 material must be kept warm to apply application surface may be cold)
- Has  $\geq 1200\%$  elongation
- Has  $\geq 350\%$  stretch across elongation
- Has 2-year shelf life
- Has 6-month open tube warranty if stored properly
- Is paintable immediately (use elastomeric paint)
- Is NSF 61 certified for potable water, negative or positive side applications
- Adheres to all know surfaces except for soap to include:
  - Plastic
  - Vinyl
  - PPE
  - Teflon
  - Hypalon
  - Coated Aluminum
  - Aluminum
  - Sheetmetal Coated
  - Sheetmetal
  - Wood
  - MDF
  - OSB
  - PE
  - Glass & Fiberglass
  - Masonry
  - Concrete
  - other



# PRO-SEAL 34: Commercial Cooler/Freezer Sealant



Caulking Adheres through water, oil, and grease. Applies at and adheres at  $\geq -70^{\circ}\text{F}/56.7^{\circ}\text{C}$ .

## Application Instructions

Surface must be clean and free of all loose particulate bond breaking matter. Do not use solvents such as (MEK, Acetone, Xylol, etc.) as cleaning agents on application area or post application. *Note: in extreme cold applications Pro-Seal 34 material is gunned from inside a warming bag/pizza bag with a tip port hole in it.*

- Painters tape may be placed to create clean cosmetic sealant lines
- Use appropriate or specified color
- Cut tip to desired bead diameter
- Cut tip properly
- Place tube into an appropriate caulking gun or place bulk material into an appropriate bulk delivery system.
- Using constant light application to pressure at surface contact, apply a continuous bead under same, even, continuous, pressure.
- Once bead is placed as desired tool in a concave fashion to assure adhesion and a clean finished appearance or as design is specified.
- Pull the painter's tape if placed as soon as bead is applied for clean finished caulking lines.
- Use Pro-Seal 34 Remover for tool and hands cleanup (see last section).

## Technical Support

Contact our technical department with any questions regarding application, cleanup or other at

Toll free USA and Canada 800 349 7325

Email: [information@prosealproducts.com](mailto:information@prosealproducts.com)

Web: [www.prosealproducts.com](http://www.prosealproducts.com)

Cautions: keep out of reach of children. May cause skin or eye irritation, this product may be harmful if swallowed. Do not induce vomiting. Use in well ventilated areas. Contact a physician immediately and always seek a physician's advice regarding

first aid. Use only in commercial or industrial applications.



Use only on intended surfaces. Contact the manufacturer for specific application uses. See material safety data sheets for additional use and health cautions. Do not run beads greater than  $\frac{1}{2}$ " x  $\frac{1}{2}$ " per application. In joints where greater bead size is required, multiple applications will be necessary. If out gassing breaks occur, simply remove particulate (dirt or other) and apply more Pro-Seal 34 material. Pro-Seal 34 will re-enter itself and adhere. Shelf life is based upon the date of manufacture of batch number.

**Limited Warranty:** Pro-Seal Product warrants its product to be free of defect in material and workmanship; and to be in accordance with our company quality control standards. All data, statements and recommendations made herein are based upon information we believe to be true and reliable, but without any representation, guarantee, or warranty of accuracy. Our products are sold on the condition that the user(s) themselves will evaluate the product as well as our recommendations, to determine our products suitability for the user's own purposes prior to adoption of use of our product. Statements regarding the use of our products are not to be construed as recommendations for their use in violation of any patent rights or in violation of any applicable laws or regulations. Liability under any condition shall be limited to replacement of material only. It is up to the user to determine the appropriateness of the use of this material for the user's project and project needs. The manufacturer makes no warranty as to specific project use of material.

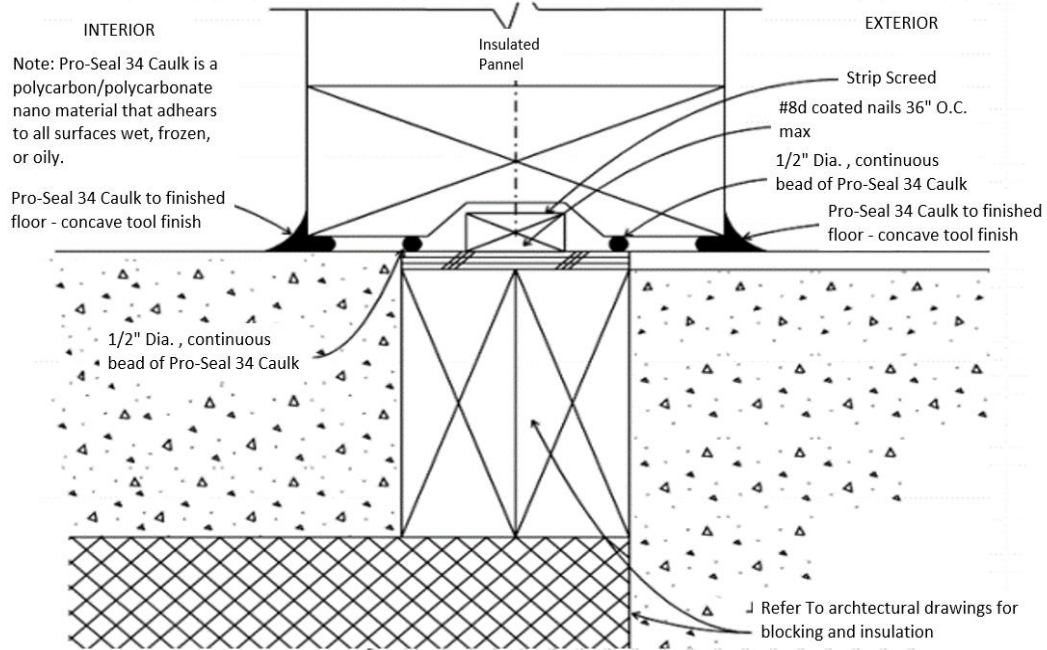


# PRO-SEAL 34: Commercial Cooler/Freezer Sealant

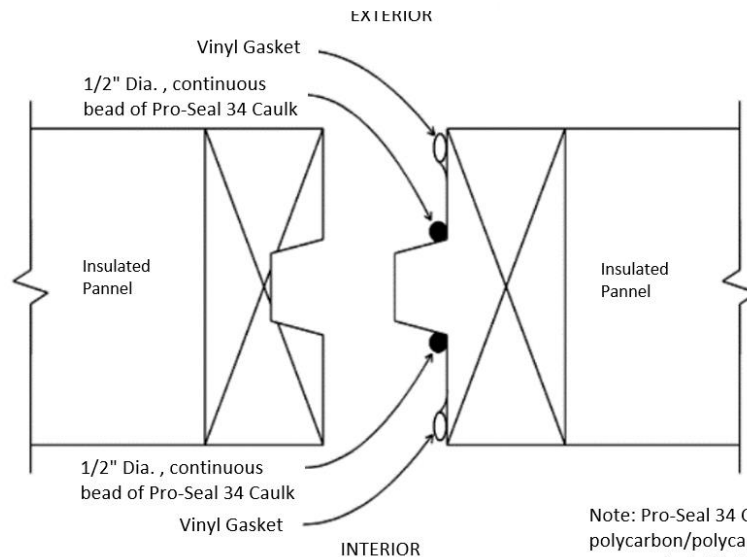


Caulking Adheres through water, oil, and grease. Applies at and adheres at  $\geq -70^{\circ}\text{F}/56.7^{\circ}\text{C}$ .

**Guide Sketches:** just a few commercial / industrial walk-ins or other Cooler or Freezer applications:



○ FLOOR TO WALL PANEL JOINT @ WALK-IN FREEZER  
NOT TO SCALE



Note: Pro-Seal 34 Caulk is a polycarbon/polycarbonate nano material that adheres to all surfaces wet, frozen, or oily.

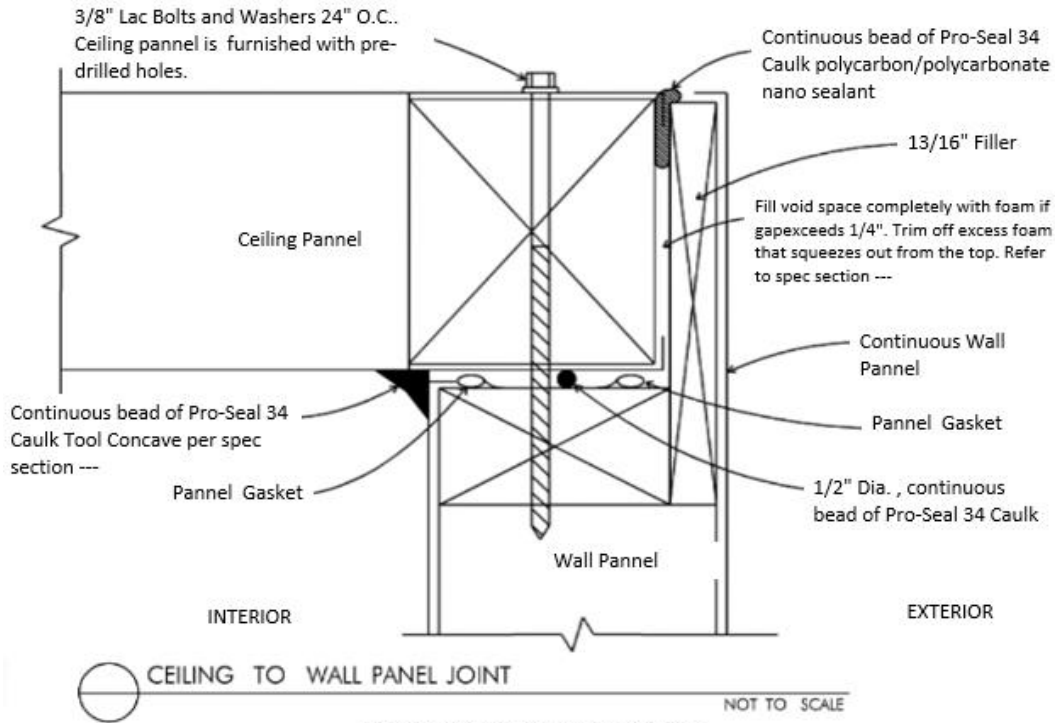
○ TYPICAL PANEL TO PANEL JOINT  
NOT TO SCALE



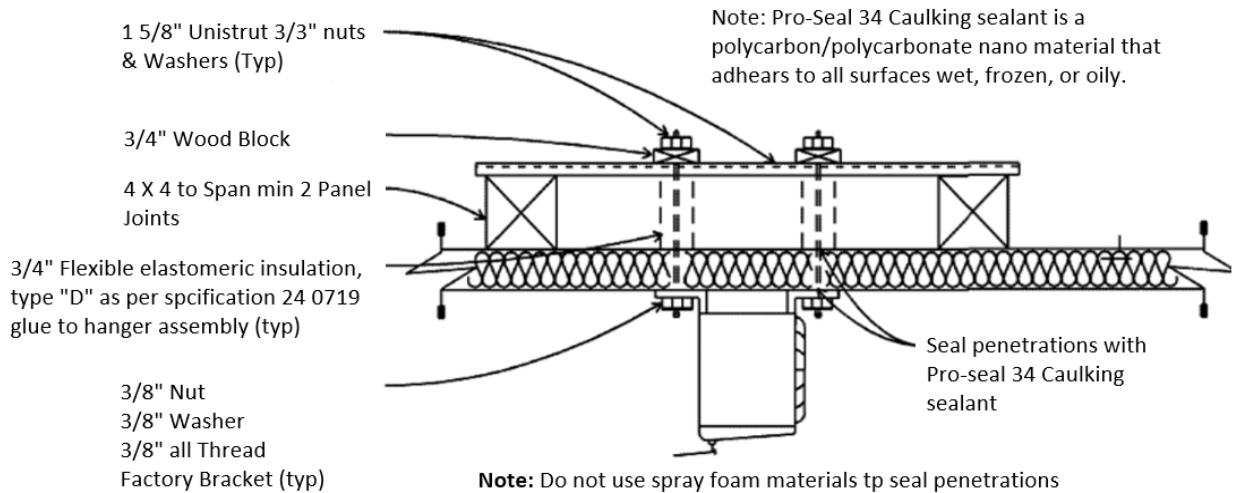
# PRO-SEAL 34: Commercial Cooler/Freezer Sealant



Caulking Adheres through water, oil, and grease. Applies at and adheres at  $\geq -70^{\circ}\text{F}/56.7^{\circ}\text{C}$ .



Note: Pro-Seal 34 Caulking sealant is a polycarbon/polycarbonate nano material that adheres to all surfaces wet, frozen, or oily.



Pro-Seal Products inc. 2020 Maltby Rd Ste 7, Bothell, WA 98021  
TF: USA & Canada 800 349 7325 Email: [information@prosealproducts.com](mailto:information@prosealproducts.com)

# PRO-SEAL 34: Commercial Cooler/Freezer Sealant



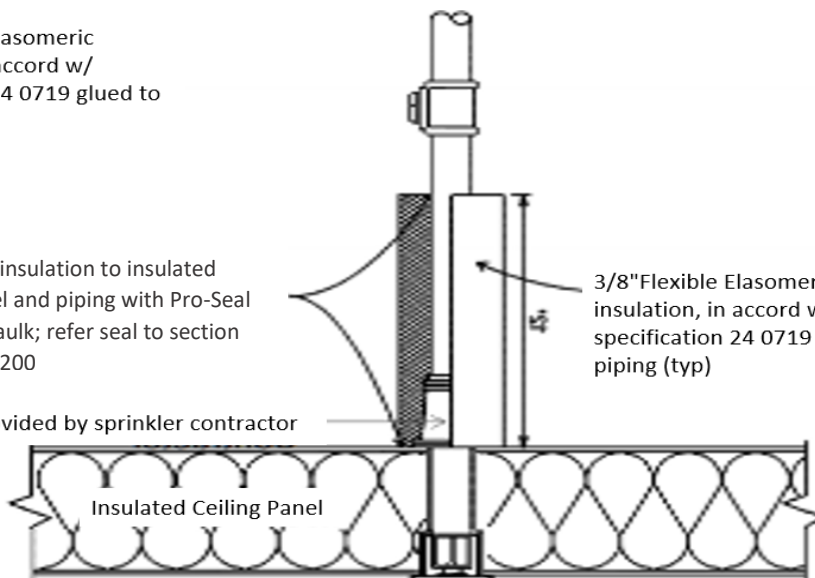
Caulking Adheres through water, oil, and grease. Applies at and adheres at  $\geq -70^{\circ}\text{F}/56.7^{\circ}\text{C}$ .

3/8" Flexible Elastomeric insulation, in accord w/ specification 24 0719 glued to piping (typ)

Seal insulation to insulated panel and piping with Pro-Seal 34 caulk; refer seal to section OT 9200

3/8" Flexible Elastomeric insulation, in accord w/ specification 24 0719 glued to piping (typ)

**Note:** Tyco Boot provided by sprinkler contractor



**Note 1:** Do not use spray foam materials to seal penetrations

**Note 2:** Pro-Seal 34 Caulk is a polycarbon/polycarbonate nano material that adheres to all surfaces wet, frozen, or oily.

## FIRE SPRINKLER PENETRATION AT WALK-IN COOLERS AND FREEZERS

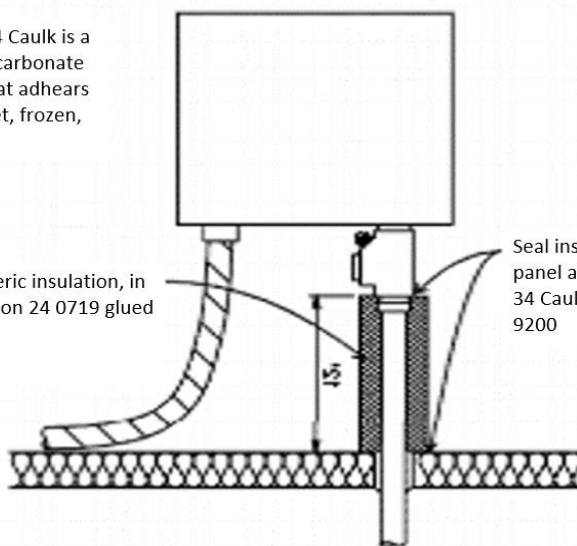


NOT TO SCALE

**Note:** Pro-Seal 34 Caulk is a polycarbon/polycarbonate nano material that adheres to all surfaces wet, frozen, or oily.

3/8" Flexible Elastomeric insulation, in accord w/ specification 24 0719 glued to piping (typ)

Seal insulation to insulated panel and piping with Pro-Seal 34 Caulk refer to section OT 9200



## COOLER /FREEZER CONDUIT PENETRATION



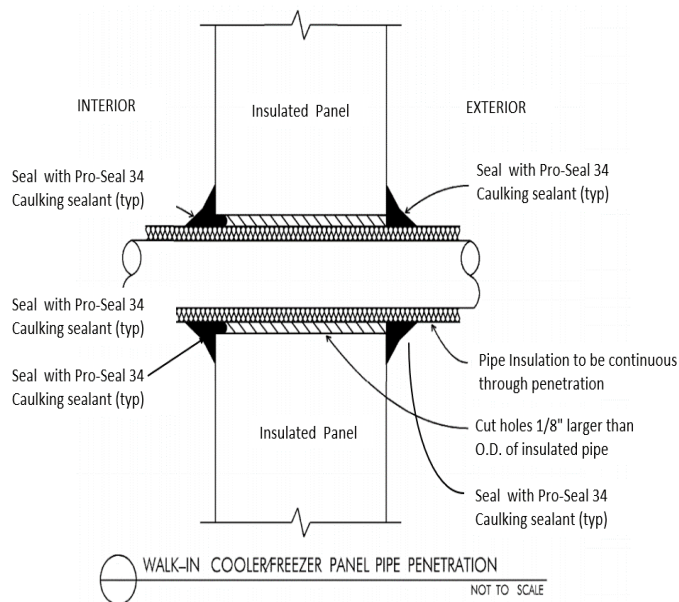
NOT TO SCALE



# PRO-SEAL 34: Commercial Cooler/Freezer Sealant



Pro-Seal 34 Remover, its green, it removes Pro-Seal 34 effectively



**Pro-Seal 34 Remover™** is the alternative to environmentally unsound solvents identified as degreasers. Extracted from natural citrus rind and blended with biodegradable detergents and emulsifiers. **Pro-Seal 34 Remover™** cuts to remove Pro-Seal 34® and floats other grease, oil and rubber off of most surfaces, allowing a residue free surface upon rinsing.

## Pro-Seal 34 Remover™:

- Removes; Pro-Seal 34®, oils, greases and other hydrocarbon lubricant materials aggressively
- Is biodegradable
- Is phosphate Free
- Is green-friendly
- Is V.O.C. Compliant
- Can be used with Pro-Seal DryCrete® to extract surface saturated fluid contaminants from concrete substrates

## Pro-Seal 34 Remover™ Benefits:

- Removes oil, grease, and other hydrocarbon-based contaminants
- Removes carpet mastics
- Removes rubber tire marks
- Removes rubber-based contaminants

## Pro-Seal 34 Remover™ Applications:

- Concrete
- Stone
- Brick
- Marble
- Metal
- CMU
- Block
- and more.

## Pro-Seal 34 Remover™ Application Instructions:

1. Apply at an average coverage rate of 300 square feet per gallon.
2. Agitate the surface using a stiff bristled brush or broom.
3. Rinse surface and remove debris per local, state, and federal regulation.
4. For specific application instructions or guide specifications, contact Pro-Seal's Technical Department at 800.349.7325 or [information@prosealproducts.com](mailto:information@prosealproducts.com)

*\*Always apply a test patch before use. Do not use on rubber or hydrocarbon-based surfaces that are not intended to be removed or destroyed.*



# PRO-SEAL 34: Commercial Cooler/Freezer Sealant



Pro-Seal 34 Remover, its green, it removes Pro-Seal 34 effectively

## Technical

| Information      | Value                      |
|------------------|----------------------------|
| Material         | 1 Part                     |
| Appearance       | Liquid                     |
| Application Temp | > 40°F                     |
| Storage Temp     | < 100°F                    |
| Flammability     | None                       |
| Odor             | Citrus                     |
| Packaging        | Quart, 1, 5 and 55 gallons |

condition that the user himself will evaluate them, as well as our recommendations, to determine their suitability for the user's own purpose before adoption. Also, statements regarding the use of our products or processes are not to be construed as recommendations for their use in violation of any patent rights or in violation of any applicable laws or regulations. Liability under any condition shall be limited to replacement of material only.

**Technical Support:** Contact technical department:

Call TF: USA and Canada 800. 849.7325,  
Email: [information@prosealproducts.com](mailto:information@prosealproducts.com)  
Or visit our website: [www.prosealproducts.com](http://www.prosealproducts.com)  
for additional products information.

**Cautions:** Keep out of reach of children. May cause skin or eye irritation. The product could be harmful if swallowed. Do not induce vomiting. Use in well ventilated areas. Contact a physician immediately and always seek a physician's advice regarding first aid. Use only in commercial or industrial applications. Use only on intended surfaces. Contact manufacturer for specific application uses. See material safety data sheet for additional cautions.

**Limited Warranty:** We warrant our product to be free of defects in material and workmanship; and to be in accordance with our company quality control standards. All data, statements, and recommendations made herein are based upon information we believe to be reliable, but are made without any representation, guarantee, or warranty of accuracy. Our products are sold on the

