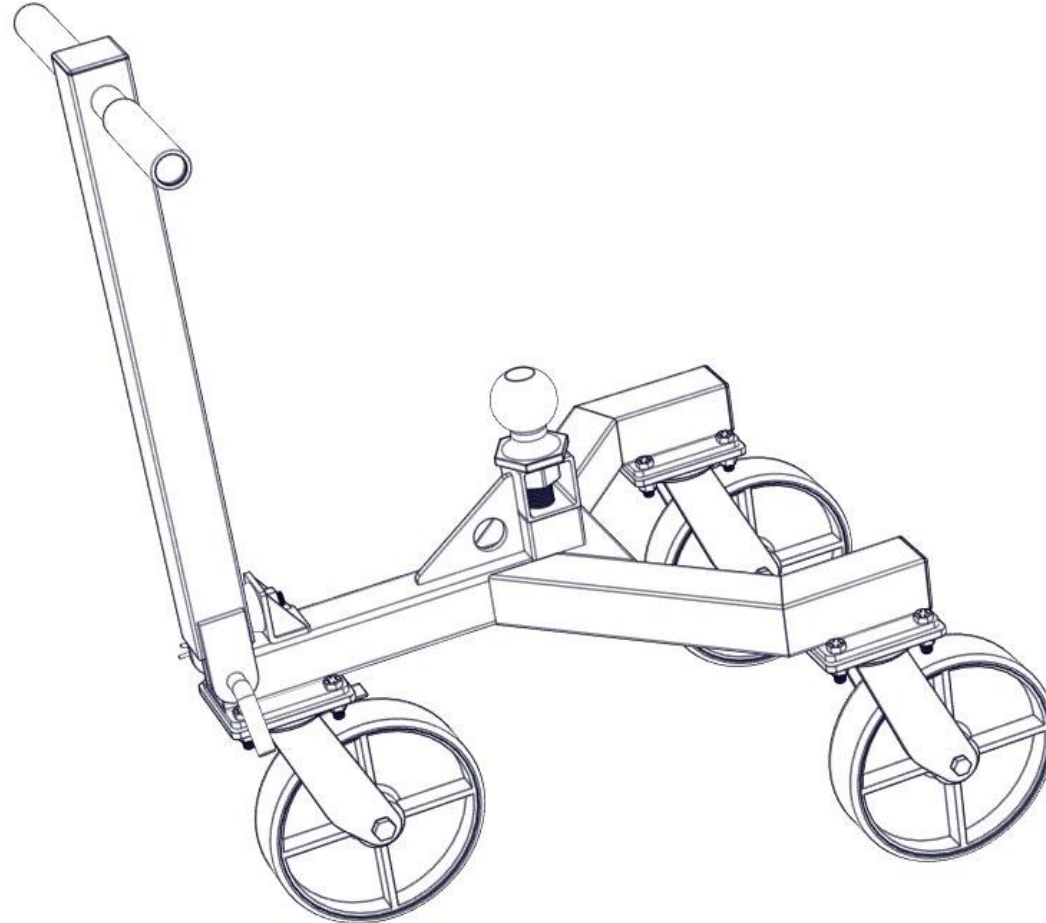


# TRAILER TUG INSTRUCTIONS



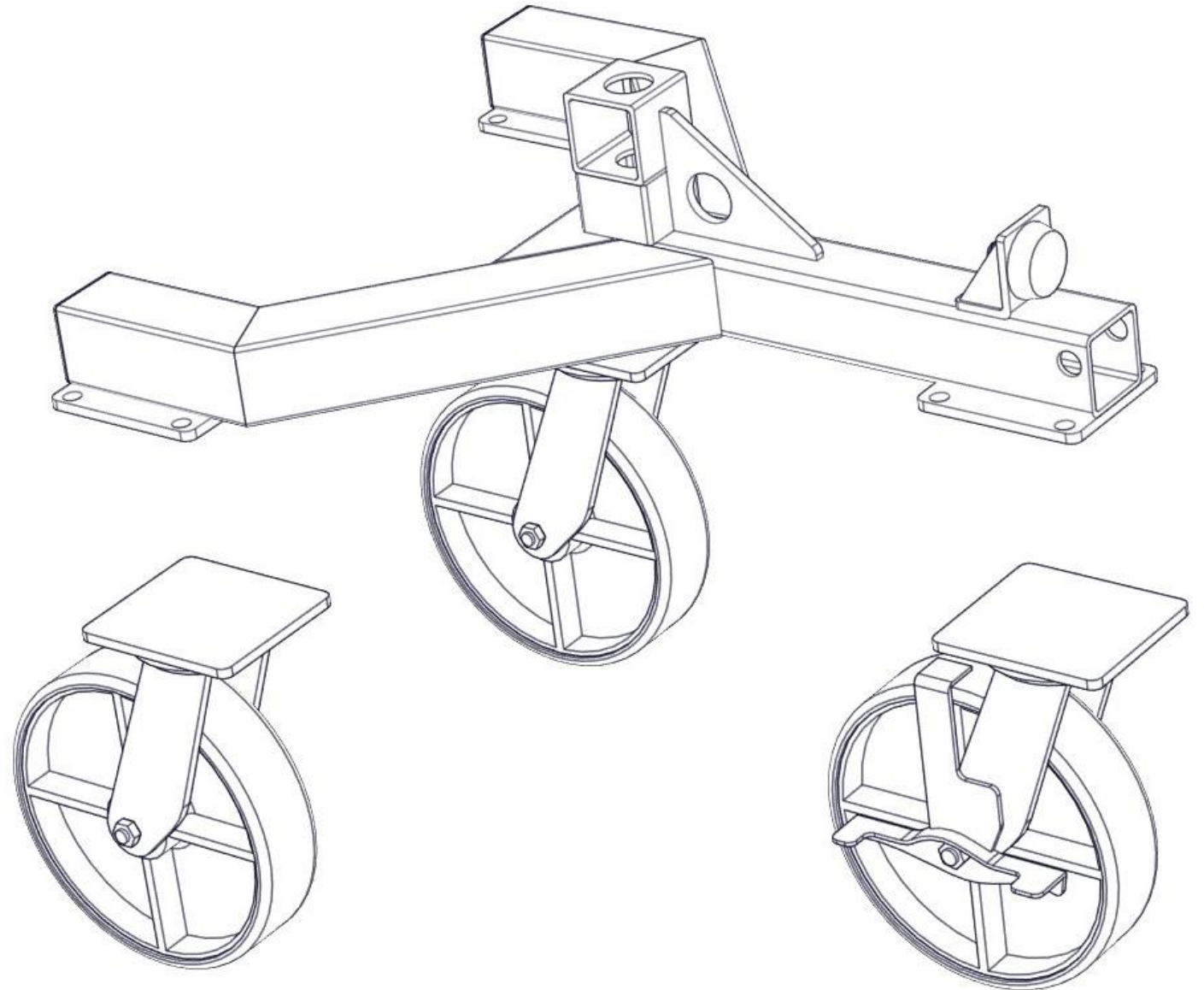
# CASTERS

## STEP 1

Align the 3 casters with the swivel caster in front and the two fixed casters in the back as shown

**Caution:**

3,500 maximum tongue weight

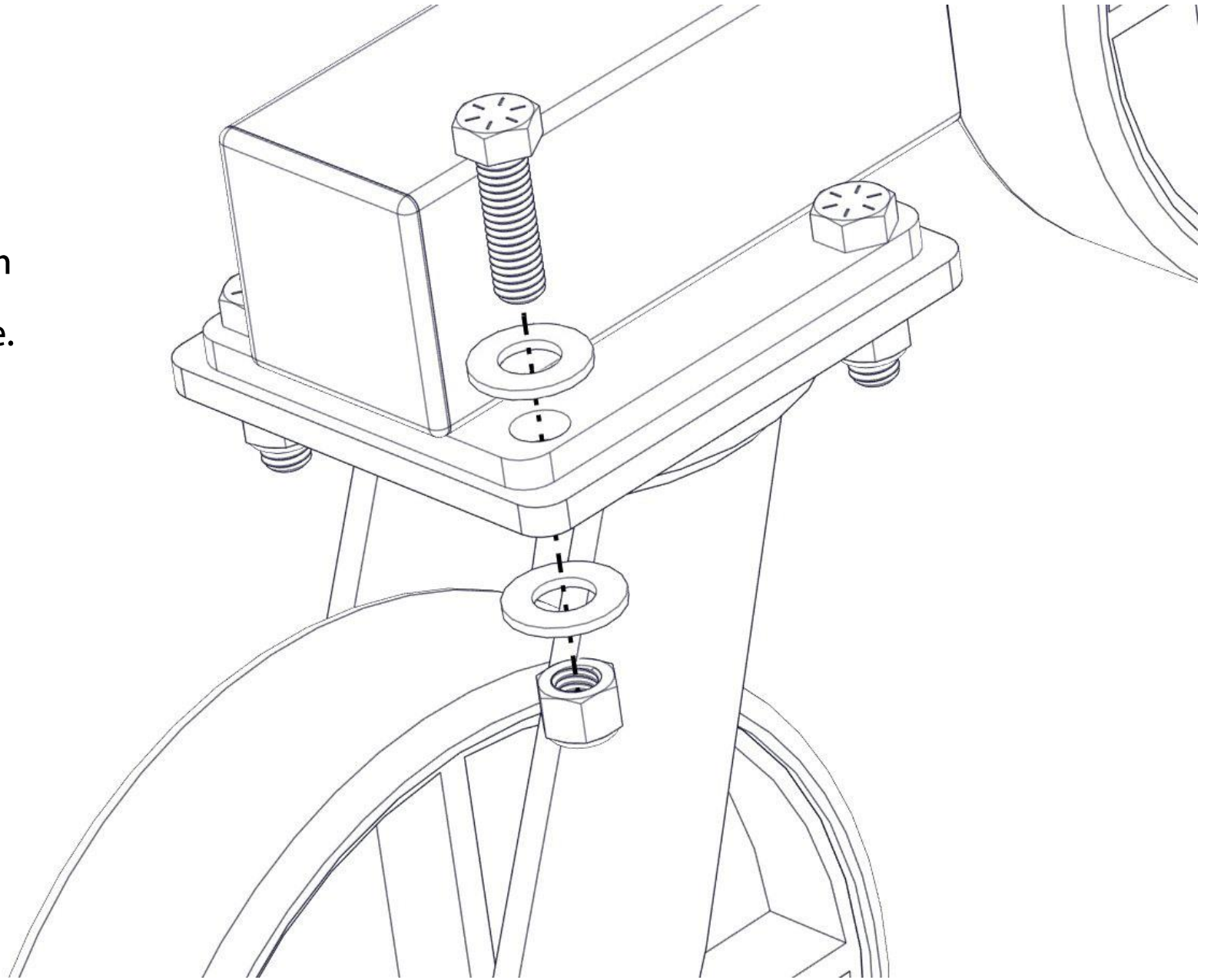


# CASTERS

## STEP 2

Place the bolt through the wheel then the wheel plate and follow it with a washer and lock nut on the other side.

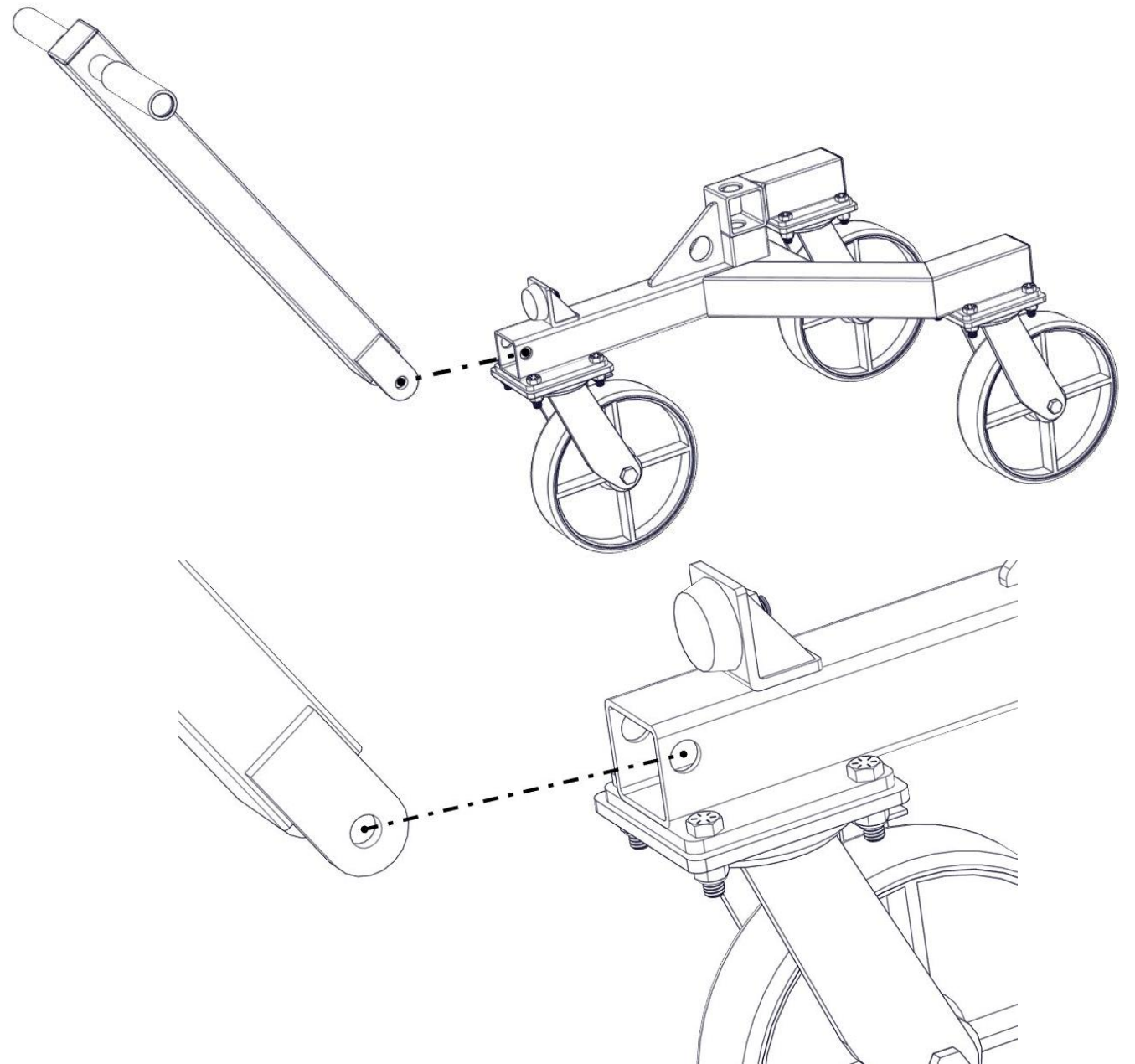
Tighten down the bolts with the wrenches provided.



# HANDLE

## STEP 3

Align the holes in the handle with the holes at the front of the trailer tug base

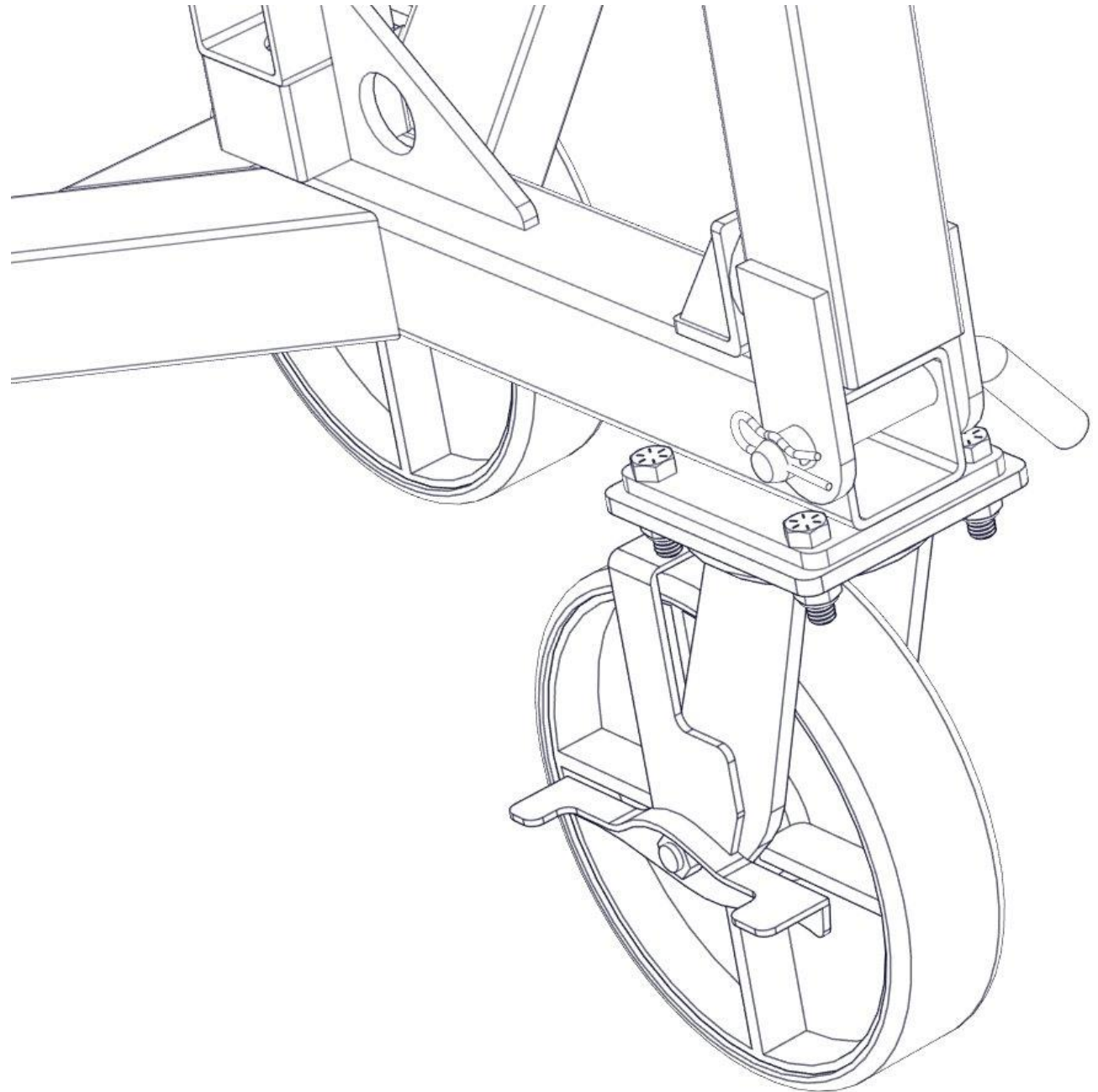


# HANDLE

## STEP 4

Insert the pin through the handle and trailer tug base and lock it in place with the cotter pin

The cotter pin slides into the hole on the pin as shown



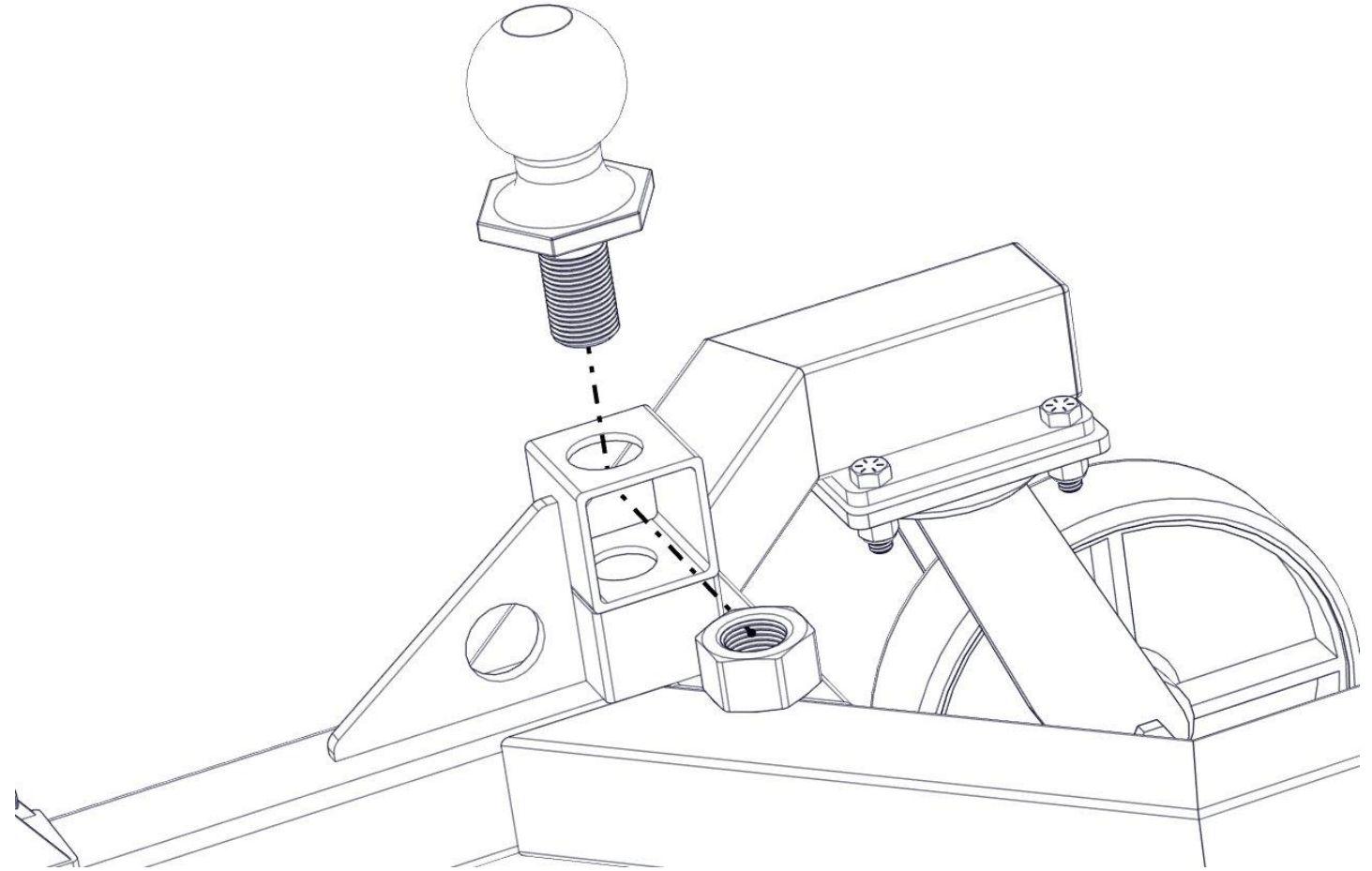
# TRAILER HITCH

## STEP 5

Place the nut of the trailer hitch into the slot

Bring the trailer hitch through the hole to screw into the nut

If your hitch comes with a washer place it on the hitch before you put it through the hole to screw it tight



# TRAILER HITCH

## STEP 6

Screw the trailer hitch into the nut

Make it tight so the hitch does not come loose

### Caution:

If the hitch is loose it may result in injury or accident

