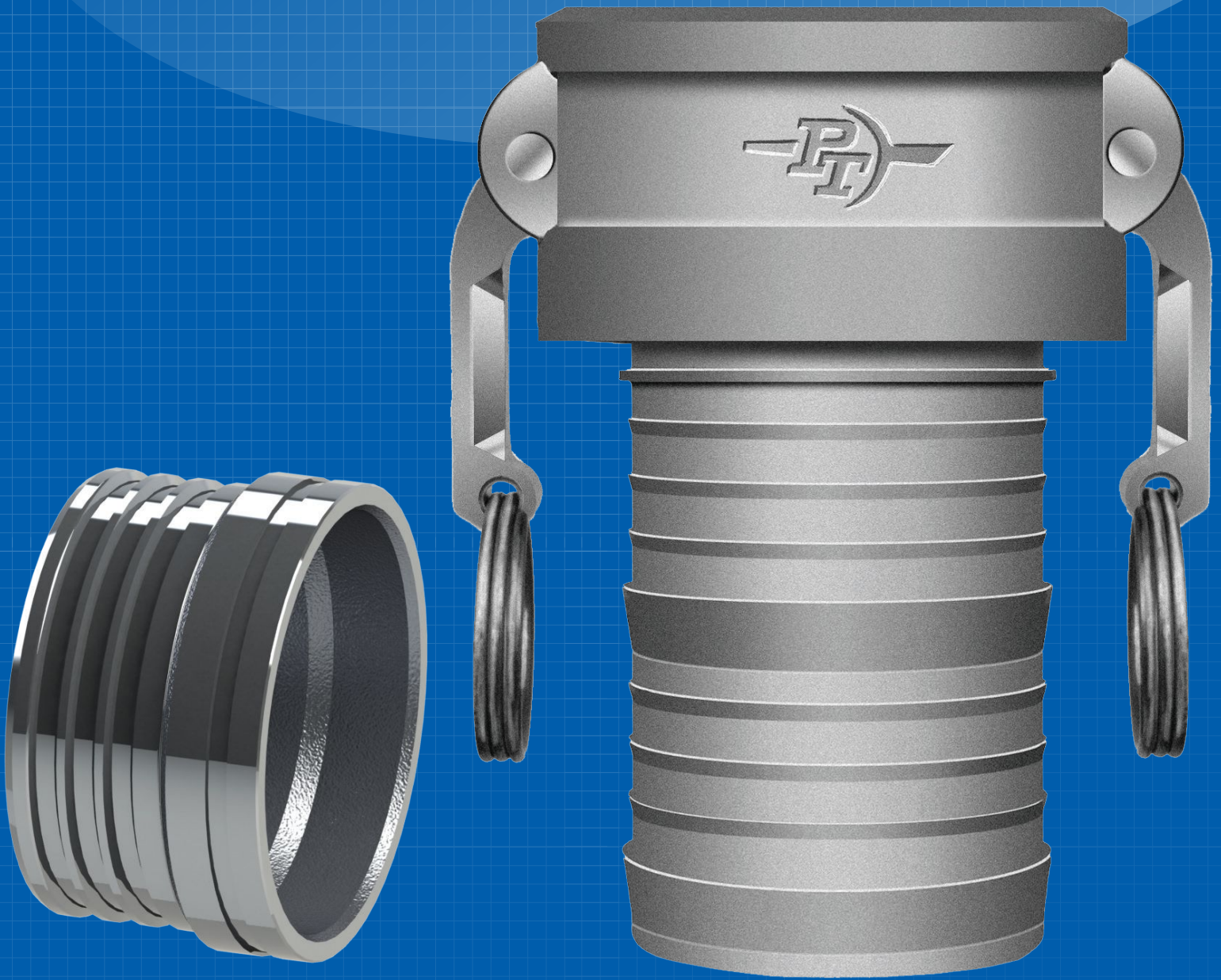




Made in the U.S.A.



PT Coupling

Distributed by:



Table of Contents

COMPANY & WARRANTY INFO.....	2
HOW TO ORDER	3 - 5
BRANCH DIVISION MAP.....	6
TERRITORIES & WAREHOUSES.....	7
PRODUCTS	8 - 157
APPENDIX.....	158 - 170
NEW PRODUCTS	171

BASIC STANDARD CAM & GROOVE COUPLINGS

A-Adapter • B-Coupler • C-Coupler • D-Coupler • E-Adapter
 • F-Adapter • V-Coupler (Dust Cap) • VL-Coupler (Dust Cap /locking
 arms) • W-Adapter (Dust Plug)



8 - 16



STA-LOK® and STA-LOK® II

STA-LOK® Cam and Groove • STA-LOK® II • Passive Locking Cam and Groove



17 - 25



REDUCER CAM & GROOVE

Reducer Cam & Groove • Reducer STA-LOK® II • CXA, CXA Long • CXC • Spool Adapters

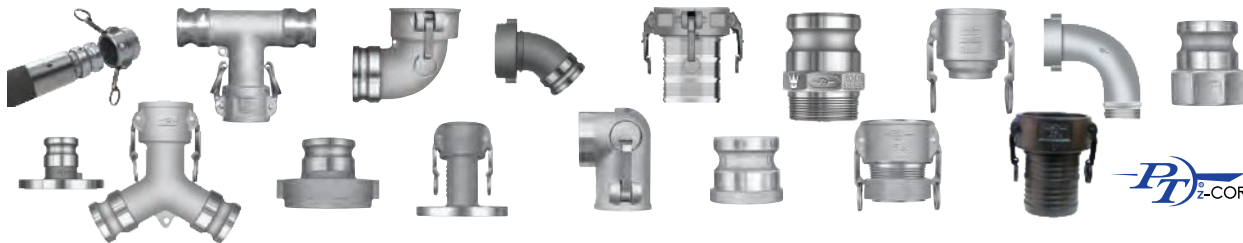


26 - 35



SPECIAL CAM & GROOVE

Pressure Safe • Y-Fittings • 90 Degree Elbows • Fire Hose Threads • Straight Threads • Railroad Tank Car Connections
 • Weld Fittings • Compression Fittings • Check Valve • Heavy Duty Couplings • Pipe Flanges • Cam & Groove x Victaulic®
 • Corrosion Resistant Cam & Groove • PT z-COR



36 - 61



VERSATILE SWIVEL CAM & GROOVE • WEDGON PETROLEUM SWIVELS

A-F Sizes 1.5" to 6" • Butt Weld • Socket Weld



62 - 67



ACCESSORIES & REPLACEMENT PARTS

Gaskets • SECURE-LOK™ • Security Chains • Cam Straps • Cam Assemblies • STA-LOK® II Cam Assemblies • Paddle Handles
 • XL Locking Handles • Pull Rings • Cam Pins



68 - 73





SAFETY BUMP®

Safety Bump® & Safety Lock™



74-75



LAY-FLAT FLUID TRANSFER SYSTEM®

Hose Mender • Crimp Sleeve • Segmented bolt Clamp



76



PETROLEUM HANDLING

Tank Truck Flange • Y Flange • T Flange • Tank Truck Flange Sight Glass • Tight Fill Elbow • Dual Point Vapor Recovery • Single Point Vapor Recovery • API Bottom Loading • Tank Adapter • Commodity Indicator • Vapor Recovery • Wedgon Breakaway Fittings • MAXI-DRY® Fittings • In-Line Strainers and Pump Filters • Nozzles • Safety Pumping Systems



77-100



PROGRIP™

C-50 External Crimp System • Ultra-Lite Aluminum Sleeves & Ferrules • Internal Expansion System • Internal Expansion System - Sanitary • C-50 External Crimp System - Sanitary • Sanitary Wine Fittings



101-127



HOSE MANAGEMENT SYSTEMS

PT Exaro • HoseMarc Engraving System • ID tags • Stainless Steel Cable Ties & Tool • Color Banding



128-133



PUNCH-LOK®

Punch-type Clamps • Special Order • Open-End Clamps • Preformed J-Lok Clamps • Banding, Strapping, Safety Boxes • Banding Totes • Buckles/Clips, Strapping Loks • Brackets • Clamping & Banding Tools • TA-3™ Hex Steel Nipples • Tool Replacement Parts



134-144



ROLITE PT3 FITTING MASTER

Fitting Master Hose Assembly Machine



145



SPECIAL APPLICATION FITTINGS

Combination Nipples • Hose Mender • Weld Nipples • Pump Foot Valves • Pump Suction Strainer • Discharge & Suction Couplings • Ground Joint Couplings • Bolt Clamps • Claw Couplings • Safety Cable • Sandblast Fittings • Polypropylene Fittings



146-157





Company & Warranty Information



Learn more about PT Coupling

COMPANY INFORMATION

The family owned Parrish Manufacturing Group began as a small machining job shop in 1951, in Enid, Oklahoma U.S.A. and today still manufactures cam-and-groove couplings that are strong and durable. It is their goal to be the single source for all your pattern development, casting, precision machining, fabrication, heat treat and plastic injection molding needs. The design and construction of these couplings have a superior quality body with precision machined surfaces. Our company's success stems from an uncompromising commitment to three core values: quality, service and integrity. PT Coupling Company, as a member of the Parrish Manufacturing Group, has grown to be a global supplier of industrial hose fittings, for low-pressure liquid and dry bulk transfer applications, distributing a high quality product at a fair price. For more information about Parrish Manufacturing Group and PT Coupling go to www.ptcoupling.com.

CAM & GROOVE HOSE COUPLINGS

PT Quick Connect/Disconnect Couplings provide for quick connecting and disconnecting by means of the camming action. This camming action allows pipe and hose connections to be made without the need of hand tools or difficult threaded connections. Cam and groove couplings are made up of two parts, male (adapter/plug) and female (coupler/socket) that work together. The male adapter is simply inserted into the female coupler until contact is made with the gasket. Both cam arms on the coupler are then pressed down/closed simultaneously to produce a uniform gasket compression between the seal surfaces. This seal is created because the cam arms of the female coupler fit snugly against the groove of the male adapter. A positive seal requires that the surfaces on the gasket seat, the adapter face, and the gasket are smooth and uncontaminated. Also cam arms must be in the full closed position for proper locking of the coupling. To disconnect both arms must be lifted / opened simultaneously to release the seal and release the connection.

PT COUPLING DOD COMMERCIAL ITEM DESCRIPTION

All PT Quick Connect/Disconnect Couplings in every metal and size, 1/2" x 3/4" through 4" and 6" are manufactured to interchange with products produced to DOD Commercial Item Description A-A-59326D. All "RFQ's" identified as Government will be quoted with the required components and castings to meet the A-A-59326D DOD Commercial Item Description. Cam and Groove fittings are interchangeable among manufacturers, with the exception of 1/2", 5", 8" - 12" which may not be interchangeable. Quality is controlled in every phase of manufacture as is required for compliance to A-A-59326D. PT Coupling's quality management system is certified and conforms to the requirements of ISO9001.

WARRANTY - Limited Warranty

PT Coupling Company (PT) warrants the products we manufacture and which are represented by PT online or in PT print advertising material to be free from defects in material and workmanship under normal use, service and operating conditions for a period of one (1) year from the date of shipment. This warranty is limited to the repair or replacement of such parts as shall appear to PT upon inspection to have been defective in material or workmanship provided such products are returned to a local PT Warehouse or at PT's sole discretion to the PT factory accompanied by a properly completed Returned Goods Authorization (RGA) form (supplied by PT) within 30 days of the date a defect in material and workmanship is discovered. PT's warranty does not apply to a) any part or product which has been subject to any of the following to include but not limited to: abuse, misapplication, neglect or excessive wear; b) any part or product which has been altered or repaired by anyone other than PT; and c) any part or product which would classify as a wear item under normal service which includes but is not limited to gaskets, o-rings, and washers. Warranty parts must be shipped prepaid motor freight or UPS and packed with enough care as to not cause any additional damage to the parts in question. No claim for breach of warranty shall be valid unless received by PT prior to the expiration of the applicable warranty period.

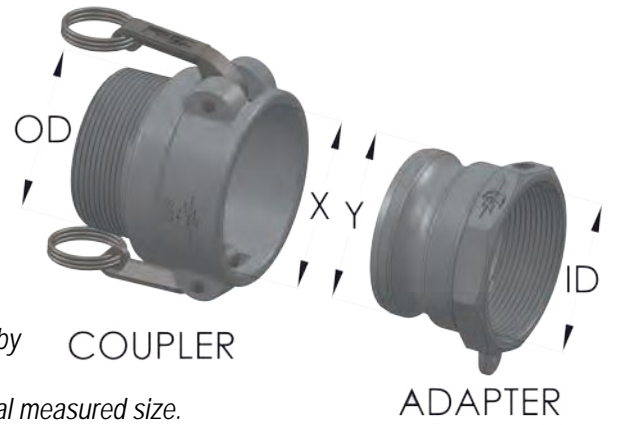
THERE IS NO WARRANTY OF MERCHANTABILITY FOR FITNESS FOR ANY PARTICULAR PURPOSE NOR IS THERE ANY OTHER WARRANTY, EXPRESS OR IMPLIED EXCEPT AS SPECIFICALLY STATED HERIN. PT SHALL IN NO EVENT BE LIABLE FOR SPECIAL, INDIRECT, CONSEQUENTIAL OR PUNITIVE DAMAGES OR ANY NATURE OR KIND UNDER ANY THEORY OR RECOVERY ARISING OUT OF OR RELATED TO THE PRODUCT OR OTHER GOODS SOLD HERE UNDER INCLUDING, BUT NOT LIMITED TO, DELAYS, LOSS OF USE, LOSS OF DATA, LOSS OF PROFITS, OR LOSS OF PRODUCTION, EVEN IF PT HAS BEEN ADVISED OF THE POSSIBILITY OF SUCH DAMAGES.

PT's liability to Buyer shall be limited in all cases as set forth herein. This warranty is in lieu of and excludes all other representation of warranties. PT reserves the right to make changes in design and improvements wherever it is believed the efficiency of the Products will be improved, but without incurring an obligation to incorporate such improvements in any product which has been shipped or is in service.



How to Order

SELECTING FOR YOUR OPERATING CONDITIONS AND APPLICATION.



Coupler Size

- For parts with a female (sockets) coupler end, the size is determined by measuring the open end (x) of the coupler.
- Understand that coupling size is an industry designation, not the actual measured size.
- For the male (plug) adapter the size is determined by measuring the adapter plug end (y).
- For threaded, hose barb or flange end. A threaded end can be male or female to match the type and size of your hose end fitting or tool. A barbed end inserts directly into a hose. Certain items are available with British Standard Pipe (BSP) threads. Flanged ends can be either pipe flange or tank car.
- Threaded end - Determine the pipe size used. Pipe size is an industry designation, not the actual measured size. Measure the inside diameter (ID) or outside diameter (OD) as shown in the drawing. Then round up the measurement to the closest ID or OD listed in the chart below and select the corresponding pipe size.

Example: If ID (female) or OD (male) measures 1 3/16", the next highest ID or OD in the chart is 1 3/8", and the corresponding pipe size is 1".

- Hose (for use with hose barbed ends): PVC, rubber, polyurethane or polyethylene hose
- Clamps: use original PUNCH-LOK® center punch clamps or banding (see page 129 for more details), or an interlocked PROGRIP™ C-50 ferrule or C-50 crimp sleeve (see PROGRIP™ Section on page 109-114 for more details).

Threaded ID (female) or OD (male)	Pipe Size (NPT)
.75"	1/2"
1"	3/4"
1.375"	1"
1.625"	1 1/4"
1.875"	1 1/2"
2.375"	2"
2.875"	2 1/2"
3.5"	3"
4.5"	4"
5.625"	5"
6.625"	6"
8.625"	8"
10.75"	10"
12.75"	12"

Coupler Inside Diameter (X)		Adapter Outside Diameter (Y)	
Coupling Size	X	Adaptor Size	Y
1/2"	15/16"	1/2"	15/16"
3/4"	1 1/4"	3/4"	1 1/4"
1"	1 7/16"	1"	1 7/16"
1 1/4"	1 13/16"	1 1/4"	1 13/16"
1 1/2"	2 1/8"	1 1/2"	2 1/8"
2"	2 1/2"	2"	2 1/2"
2 1/2"	3"	2 1/2"	3"
3"	3 5/8"	3"	3 5/8"
4"	4 3/4"	4"	4 3/4"
5"	5 3/4"	5"	5 3/4"
6"	6 15/16"	6"	6 15/16"
8"	8 15/16"	8"	8 15/16"
10"	11 3/8"	10"	11 3/8"
12"	13 1/2"	12"	13 1/2"



IMPROPER USE, APPLICATION OR SELECTION OF THE APPROPRIATE PRODUCTS AS IS DESCRIBED HEREIN CAN RESULT IN PROPERTY DAMAGE, PERSONAL INJURY OR EVEN DEATH.



How to Order

Select materials for operating conditions and application.

Material	Features	Application
Aluminum w/Brass Cam Arms (HB) or w/300 series Stainless Steel Cam Arms (HBS)	*Lightweight and economical. Good abrasion resistance. Fair corrosion and chemical resistance.	*Use with water, hydraulic oil, coolants, gasoline, and petroleum products.
Stainless Steel w/HBS Cam Arms	*Excellent corrosion-resistant material that provides high strength at high temperatures, helps prevent contamination of product being transported, maintains cleanliness and retains a lustrous appearance. Harder than brass.	*Ideal for use with salt water, waste water, and many chemicals; can also be used with hydraulic oil and coolants.
Brass w/HB Cam Arms	*A good corrosion resistance, less expensive than stainless steel. Softer and easier to thread than stainless steel and forms tight seals.	*Ideal for use with water. Can also be used with hydraulic oil, coolants, gasoline, and petroleum products.
Ductile Iron	*Excellent abrasion and wear resistance. Good strength and toughness characteristics.	*Ideal for use with sand, grout, cement, and other abrasives.
Hard Coat Aluminum	*This is a lightweight material with good abrasion resistance. Good corrosion and chemical resistance.	*Use with sand and salt water applications, as well as hydraulic oil, coolants, gasoline and petroleum products.
Polypropylene	*Glass-fiber reinforced for strength. Good abrasion and corrosion resistance. Good chemical resistance.	Color Black *Use with water and coolants
Food Grade Polypropylene	*Fair abrasion resistance.	Color White *Use with water and other food grade applications
Nylon	*Glass-fiber reinforced for strength. Good abrasion, corrosion and chemical resistance.	Color Green *Use with water, coolants, gasoline and varnish.

*For more detailed use & materials list, see pages 161-163 in the Recommended Operating Conditions and Materials in the back of the PT Coupling catalog.

OPERATION

The compression on the gasket produced by the camming action produces a positive seal. The surfaces on the gasket seat, the adapter face, and the gasket must be smooth and uncontaminated. Cam arms must be in the fully closed position for proper engagement of cam arms. All couplers come with the standard Buna-N gasket. Customers may specify the type of rings, pins and cam arms.

Material	Gasket	Size	Max. Allowable Working Pressure (PSI) *
Metal Couplings	Standard gaskets are Buna any variation must be specified**	1/2", 3/4 x 1/2", 3/4", 1", 1 1/4", 1 1/2", 2"	250
		2 1/2", 3"	200
		4"	150
		5", 6"	75
		8", 10", 12"	50
Non-Metal Couplings	Standard gaskets are Buna any variation must be specified **	3/4", 1", 1 1/4", 1 1/2", 2"	100
		3", 4"	50

*Above maximum allowable working pressures are based on operating temperatures less than 100°F. If operating temperatures exceed 100° F., use temperature derating factor listed in the table on page 158.

**Numerous other gaskets are available upon request. Reference the list of gaskets in the back of the PT Catalog on pages 159 in the Recommended Operating Conditions and Materials section.



How to Order

FOR DISTRIBUTORS TO PLACE AN ORDER ONLINE:

To order online go to www.ptcoupling.com
 Click on "How to Order" to register or Call 888-306-0185

Information needed:

- Name
- Company
- Account #
- Bill to Address
- Ship to Address
- email address
- username
- password



PLACE AN ORDER

PT Coupling only sells their products through distributors. Orders should be placed in your local region (see the regional branch warehouse listing on page 7). Extensive inventories of quick connect/disconnect couplings and replacement parts are maintained in our warehouses to insure immediate shipment and delivery to our customers anywhere in the world. If your operations require a product not shown in this catalog, we will gladly work with you, our customer, in the custom design and manufacture of a product to meet your fitting specification.

It is the responsibility of the end user to communicate to the distributor the application and operating conditions the parts will be subjected to. It is up to the distributor to supply the right part for the application. PT Coupling Co. is available to help you with a proper recommendation.

In any type of application care must be taken to insure proper connection and a positive seal. Improperly fitted or applied connections can result in a serious accident and/or down time. Under no circumstances shall the pressure rating of the couplings be exceeded. (Please see WARNING on Page 3.)

For prompt, efficient processing of your order, please follow this procedure:

1. If ordering online follow steps above.
2. Specify Distributor Account #
3. Specify PT Item # or Part Name
4. Specify Size and Material
5. Specify Quantity

SHIPPING TERMS AND CONDITIONS

All orders are solicited and accepted with the understanding that the purchaser agrees to the following terms and conditions:

1. Orders are subject to approval and acceptance by PT Coupling at the home office in Enid, OK.
2. Minimum order is \$35.00.
3. PT Coupling attempts to ship all orders as promptly and efficiently as possible, however, orders are accepted with the express understanding that PT Coupling will not be liable for any losses or damages resulting from any delays in shipment or delivery.
4. Orders are subject to all government regulations, present and future.
5. Prices and design of products are subject to change without notice. Billings will be made at prices in effect at time of shipment.
6. Shortage of shipments must be reported within 5 days after receipt of goods.
7. Quotes are valid for 2 weeks.
8. Custom made parts are non-returnable. If there is no list price, parts are considered custom made. Once custom made parts are in production, there will be a cancelation fee if the order is canceled.

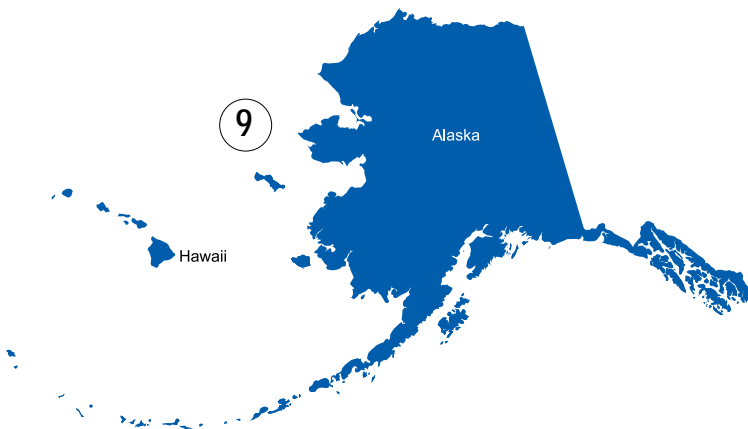
RETURN OF GOODS OR DAMAGED GOODS TO PT COUPLING CO.

If for any reason, you desire to return goods to PT Coupling Company:

Products being returned for credits must be new and in resalable condition. A minimum handling charge of 15% is deducted from the price now in effect or purchase price, whichever is lower. This handling charge, is necessary because of our practice of individually inspecting and testing every item returned and to cover the usual costs of handling returned goods. Any return goods that have been in use, must have **MATERIAL SAFETY DATA SHEETS (MSDS)** attached to the packing slip on the exterior of the shipping container. If not present, parts will be returned unopened. All return goods require a Return Goods Authorization (RGA) before credit will be given. Any returns without proper documentation will be returned to the customer at their expense.



Territories & Warehouses



Territories	No.	Warehouses
	1	CHICAGO / Richard F. Payne, Inc.
	2	SACRAMENTO / Industrial Solutions Inc.
	4	ALLENTOWN / Honohan Sales*
	6	ATLANTA / Flexible Industrial Solutions
	7	DALLAS-FT. WORTH / Jimco Sales
	12	HOUSTON / WRC Marketing
	8	DENVER / PT-Denver
	9	SEATTLE / Wilson/Rogers & Assoc.
	18	SALT LAKE CITY, UT / Wilson/Rogers & Assoc.
	10	BRITISH COLUMBIA / J & B Industrial Inc.
	13	TORONTO / J & B Industrial Inc.
	16	MEXICO / PT de Mexico Warehouse
		Headquarters - Enid, Oklahoma

**Includes Washington, D.C.*

DOMESTIC - NORTH AMERICA

CHICAGO (1)

RICHARD F. PAYNE, INC.
460 Podlin Drive
Franklin Park, IL 60131

Dan Payne, Joe Payne

Phone: 630-595-0350
Toll: 800-662-5571
Fax: 630-595-3685
Toll Free: 888-595-3685
E-Mail: sales@rfpayne.com

SACRAMENTO (2)

INDUSTRIAL SOLUTIONS, INC.
150 Gum Lane
Auburn, CA 95603

Gary Rooker, Mike Morgan,
Rich Morgan,

Tom Baker, Jason Rogers

Phone: 530-745-9600
Toll Free: 888-320-4151
Fax: 530-745-9607
E-Mail: sales@industrialsolutionsinc.net

ALLENTOWN (4)

HONOHAN SALES
2125 28th Street SW
Allentown, PA 18103

Dan Honohan, Rob Honohan,
Dylan Honohan

Phone: 610-797-8100
Toll Free: 800-333-1090
Fax: 610-797-9028
E-mail: sales@honohansales.com

ATLANTA (6)

FLEXIBLE INDUSTRIAL SOLUTIONS
5250 Fulton Industrial Blvd. SW
Atlanta, GA 30336

Tom Martin, TJ Wootton,
Michael Couch

Phone: 404-696-3998
Toll Free: 877-624-2770
Toll Free Fax: 877-624-2766
E-Mail: se.sales@ptcoupling.com

Matt Robbe, Tom Burke
Kentucky & West Virginia
Mobile: 513-616-4676

HOUSTON (12)

WRC MARKETING
531 Portwall St., Suite 200
Houston, TX 77029-1332

Ray Cooper

Phone: 713-670-9595
Toll Free: 888-246-9256
Fax: 713-670-9945
E-mail: sales@wrcmarketing.com

DALLAS-FT. WORTH (7)

JIMCO SALES, INC.
3317 Bryan Ave.
Fort Worth, TX 76110

Jim Hendricks

E-Mail: jph@jimcosales.net
Pam Hagood
E-Mail: sales-pt@jimcosales.net
Daryl Bates
Mobile: 214-394-8734

E-Mail: daryl Bates@jimcosales.net

Randy Bates

Mobile: 817-874-9202
E-Mail: randybates@jimcosales.net
Phone: 817-924-0850
Toll Free: 800-889-4626
Fax: 817-924-4612

DENVER (8)

Mountain States Warehouse -
WILSON/ROGERS & ASSOC., INC.
5055 E. 41st Ave.
Denver, CO 80216

Toll Free: 888-851-7275
Fax: 888-851-7273
E-Mail: sales@wilsonrogers.com

SEATTLE (9)

WILSON/ROGERS & ASSOC., INC.
2006 196th St. SW #119
Lynnwood, WA 98036

Scott Wilson, Ron Weeks, Jr.,
Steve Latimer, Erik Mickelson,
Kirk Jackson, Erika Kibitskaya

Phone: 425-248-4940
Toll Free: 888-851-7275
Toll Free Fax: 888-851-7273
Fax: 425-248-4944
E-Mail: sales@wilsonrogers.com

KANSAS CITY (0)

BURCHLINE SALES
1107 West Edwards
Maryville, MO 64468

Don Burch

Cell: 816-916-5744
E-Mail: donb@burchsales.com
Toll Free: 800-654-0320

CANADA

EDMONTON (10)

J & B INDUSTRIAL INC.
15703-114th Ave.
Edmonton, AB Canada T5M-2Z3

TORONTO (13)

J & B INDUSTRIAL INC.
3375 North Service Road,
Unit B1 Burlington, ON
Canada L7N3G2

John McCullough, Bruce McIntosh

Phone: 888-315-7750
Mobile: 905-978-7750
Fax: 905-315-7785
E-Mail: sales@jbindustrial.ca

BRITISH COLUMBIA (2)

INDUSTRIAL SOLUTIONS, INC.

Rich Morgan, Gary Rooker

Phone: 360-920-9358
Toll Free: 888-320-4151
E-Mail: rmorgan@industrialsolutionsinc.net

INTERNATIONAL

1414 East Willow
Enid, OK 73701

Charles Mowery

Phone: 580-540-3406
Toll Free: 800-654-0320
Fax: 800-828-2649
E-mail: charles.mowery@ptcoupling.com

MEXICO (16)

PT COUPLING DE MEXICO, S. DE R.L. DE C.V.

Castelar 1013 Ote.
Col. Independencia
Monterrey, N.L. Mexico C.P. 67420

Reynold Galvan

Phone: 52 81 81 90 00 09
Fax: 52 81 81 90 56 15
E-Mail: ventasptdemexico@ptcoupling.com
or ptdemexico@ptcoupling.com

NEW ZEALAND

PT - NEW ZEALAND
101 Hull Road
Mt Maunganui 3116
Neisha Fergus

Phone: 64 7 572 7078
Fax: 64 7 572 2029
E-mail: salesnz@ptcoupling.co.nz

EUROPE

PT - EUROPE
AV. Ojos negros #4
El Puerto de Sagunto,
Valencia, España CP 46520

Pedro Rodriguez

Phone: +34 663563595
E-mail: Pedrorodriguez@ptcoupling.com

ROBERT MARR & SON, INC.
32-22, 74th Street 2nd Floor
East Elmhurst
New York, NY 11370

Yin Yin

Phone: 718-565-7800
Fax: 718-565-7802
E-Mail: marrintl@aol.com



**A-ADAPTER
ADAPTER X FEMALE
NPT THREAD**

Made in the U.S.A.



All Stainless Steel cam and groove fittings are 316 Stainless Steel.

Now available with BSP Threads.

A-Adapter line drawings & dimensions are on page 165.

PT Coupling maintains inventories at all of their branch warehouse locations.

PT Coupling Company has a state of the art engineering department to custom design fittings to fit your application.

		Aluminum	Brass	Stainless Steel
Size	Part Name	Item #	Item #	Item #
1/2"	E05A	1000101	1200101	1400101
3/4" x 1/2"	1/2A	1000105	1200105	1400105
3/4"	07A	1000107	1200107	1400107
1"	10A	1000110	1200110	1400110
1-1/4"	12A	1000112	1200112	1400112
1-1/2"	15A	1000115	1200115	1400115
2"	20A	1000120	1200120	1400120
2-1/2"	25A	1000125	1200125	1400125
3"	30A	1000130	1200130	1400130
4"	40A	1000140	1200140	1400140
5"	50A	1000150	1200150	1400150
6"	60A	1000160	1200160	1400160
8"	80A	1000180	1200180	1400180
10"	100A	1000190	1200190	1400190
12"	120A	1000192	☎	1400192

		Ductile Iron	Hard Coat Alum	Carbon Steel
Size	Part Name	Item #	Item #	Item#
1/2"	E05A	1800101	2000101	2400101
3/4" x 1/2"	1/2A	1800105	2000105	2400105
3/4"	07A	1800107	2000107	2400107
1"	10A	1800110	2000110	2400110
1-1/4"	12A	1800112	2000112	2400112
1-1/2"	15A	1800115	2000115	2400115
2"	20A	1800120	2000120	2400120
2-1/2"	25A	1800125	2000125	2400125
3"	30A	1800130	2000130	2400130
4"	40A	1800140	2000140	2400140
5"	50A	1800150	2000150	2400150
6"	60A	1800160	2000160	2400160
8"	80A	1800180	2000180	☎
10"	100A	1800190	2000190	☎
12"	120A	1800192	☎	☎

		Polypropylene	Food Grade Poly	Nylon
Size	Part Name	Item #	Item #	Item#
3/4"	07A	2700107	2770107	2900107
1"	10A	2700110	2770110	2900110
1-1/4"	12A	2700112	2770112	2900112
1-1/2"	15A	2700115	2770115	2900115
2"	20A	2700120	2770120	2900120
3"	30A	2700130	2770130	2900130
4"	40A	2700140	2770140	☎



		Aluminum/HBS	Aluminum/HB	Brass/HB	Brass/HBS
Size	Part Name	Item #	Item #	Item #	Item #
1/2"	E05B	1000201	1070201	1200201	1290201
3/4" x 1/2"	1/2B	1000205	1070205	1200205	1290205
3/4"	07B	1000207	1070207	1200207	1290207
1"	10B	1000210	1070210	1200210	1290210
1-1/4"	12B	1000212	1070212	1200212	1290212
1-1/2"	15B	1000215	1070215	1200215	1290215
2"	20B	1000220	1070220	1200220	1290220
2-1/2"	25B	1000225	1070225	1200225	1290225
3"	30B	1000230	1070230	1200230	1290230
4"	40B	1000240	1070240	1200240	1290240
5"	50B	1000250	1070250	1200250	1290250
6"	60B	1000260	1070260	1200260	☎
8"	80B	1000280	1070280	1200280	☎
10"	100B	1000290	1070290	1200290	☎
12"	120B	1000292	1070292	☎	☎

B-COUPLER
COUPLER X MALE
NPT THREAD
 Made in the U.S.A.



HBS cam arms are made of 300 series Stainless Steel.

HB cam arms are made of Brass.

All Stainless Steel cam and groove fittings are 316 Stainless Steel with 300 series Stainless Steel components, unless otherwise noted.

8, 10, and 12 inch couplers have a 4-cam design with the STA-LOK® positive locking feature.

Now available with BSP Threads.

Please call for special quote on components in 316 Stainless Steel.

B-Coupler line drawings & dimensions are on page 165.

		Stainless Steel	Ductile Iron	Hard Coat Alum	Carbon Steel
Size	Part Name	Item #	Item #	Item #	Item #
1/2"	E05B	1400201	1800201	2000201	☎
3/4" x 1/2"	1/2B	1400205	1800205	2000205	☎
3/4"	07B	1400207	1800207	2000207	2400207
1"	10B	1400210	1800210	2000210	2400210
1-1/4"	12B	1400212	1800212	2000212	2400212
1-1/2"	15B	1400215	1800215	2000215	2400215
2"	20B	1400220	1800220	2000220	2400220
2-1/2"	25B	1400225	1800225	2000225	2400225
3"	30B	1400230	1800230	2000230	2400230
4"	40B	1400240	1800240	2000240	2400240
5"	50B	1400250	1800250	2000250	☎
6"	60B	1400260	1800260	2000260	☎
8"	80B	1400280	1800280	2000280	☎
10"	100B	☎	☎	☎	☎
12"	120B	☎	☎	☎	☎

		Polypropylene	Food Grade Poly	Nylon
Size	Part Name	Item #	Item #	Item #
3/4"	07B	2700207	2770207	2900207
1"	10B	2700210	2770210	2900210
1-1/4"	12B	2700212	2770212	☎
1-1/2"	15B	2700215	2770215	2900215
2"	20B	2700220	2770220	2900220
3"	30B	2700230	2770230	2900230



C-COUPLER COUPLER X HOSE SHANK

Made in the U.S.A.



PT's specially designed multi-barbed shank with interlocking ring allows for attachment via original PUNCH-LOK® center punch clamps (see page 134 for more details), or by an interlocked PROGRIP™ C-50 ferrule or sleeve. See pages 105-113 for more details.

HBS cam arms are made of 300 series Stainless Steel.

HB cam arms are made of Brass.

8, 10 and 12 in. couplers are 4-cam designs with the STA-LOK® positive locking feature.

All Stainless Steel cam and groove fittings are 316 Stainless Steel with 300 series Stainless Steel components, unless otherwise noted.

Please call for special quote on components in 316 Stainless Steel.

All 1-1/2" to 6" Aluminum or Hard Coat Aluminum hose shank couplings are available with Undersized Shank. To order add the letters "US" after the existing item numbers listed above.

C-Coupler line drawings & dimensions are on page 165.

		Aluminum/HBS	Aluminum/HB	Brass/HB	Brass/HBS
Size	Part Name	Item #	Item #	Item #	Item #
1/2"	E05C	1000301	1070301	1200301	1290301
3/4" x 1/2"	1/2C	1000305	1070305	1200305	☎
3/4"	07C	1000307	1070307	1200307	1290307
1"	10C	1000310	1070310	1200310	1290310
1-1/4"	12C	1000312	1070312	1200312	1290312
1-1/2"	15C	1000315	1070315	1200315	1290315
2"	20C	1000320	1070320	1200320	1290320
2-1/2"	25C	1000325	1070325	1200325	1290325
3"	30C	1000330	1070330	1200330	1290330
4"	40C	1000340	1070340	1200340	1290340
5"	50C	1000350	1070350	1200350	1290350
6"	60C	1000360	1070360	1200360	☎
8"	80C	1000380	1070380	1200380	☎
10"	100C	1000390	1070390	1200390	☎
12"	120C	1000392	1070392	☎	☎

		Stainless Steel	Ductile Iron	Hard Coat Alum	Carbon Steel
Size	Part Name	Item #	Item #	Item #	Item #
1/2"	E05C	1400301	1800301	2000301	☎
3/4" x 1/2"	1/2C	☎	☎	2000305	☎
3/4"	07C	1400307	1800307	2000307	2400307
1"	10C	1400310	1800310	2000310	2400310
1-1/4"	12C	1400312	1800312	2000312	2400312
1-1/2"	15C	1400315	1800315	2000315	2400315
2"	20C	1400320	1800320	2000320	2400320
2-1/2"	25C	1400325	1800325	2000325	2400325
3"	30C	1400330	1800330	2000330	2400330
4"	40C	1400340	1800340	2000340	2400340
5"	50C	1400350	1800350	2000350	2400350
6"	60C	1400360	1800360	2000360	2400360
8"	80C	1400380	1800380	2000380	☎
10"	100C	1400390	1800390	2000390	☎
12"	120C	1400392	☎	☎	☎

		Polypropylene	Food Grade Poly	Nylon
Size	Part Name	Item #	Item #	Item #
3/4"	07C	2700307	2770307	2900307
1"	10C	2700310	2770310	2900310
1-1/4"	12C	2700312	2770312	☎
1-1/2"	15C	2700315	2770315	2900315
2"	20C	2700320	2770320	2900320
3"	30C	2700330	2770330	2900330
4"	40C	2700340	2770340	2900340



		Aluminum/HBS	Aluminum/HB	Brass/HB	Brass/HBS
Size	Part Name	Item #	Item #	Item #	Item #
1/2"	E05D	1000401	1070401	1200401	1290401
3/4" x 1/2"	1/2D	1000405	1070405	1200405	1290405
3/4"	07D	1000407	1070407	1200407	1290407
1"	10D	1000410	1070410	1200410	1290410
1-1/4"	12D	1000412	1070412	1200412	1290412
1-1/2"	15D	1000415	1070415	1200415	1290415
2"	20D	1000420	1070420	1200420	1290420
2-1/2"	25D	1000425	1070425	1200425	1290425
3"	30D	1000430	1070430	1200430	1290430
4"	40D	1000440	1070440	1200440	1290440
5"	50D	1000450	1070450	1200450	1290450
6"	60D	1000460	1070460	1200460	☎
8"	80D	1000480	1070480	1200480	☎
10"	100D	1000490	1070490	1200490	☎
12"	120D	1000492	1070492	☎	☎

D-COUPLER
COUPLER X FEMALE
NPT THREAD
 Made in the U.S.A.



HBS cam arms are made of 300 series Stainless Steel.

HB cam arms are made of Brass.

8, 10, and 12 inch couplers are 4-cam designs with the STA-LOK® positive locking feature.

Now available with BSP Threads.

All Stainless Steel cam and groove fittings are 316 Stainless Steel with 300 series Stainless Steel components, unless otherwise noted.

Please call for special quote on components in 316 Stainless Steel.

PT Coupling maintains inventories at all of their branch warehouse locations.

D-Coupler line drawings & dimensions are on page 166.

		Stainless Steel	Ductile Iron	Hard Coat Alum	Carbon Steel
Size	Part Name	Item #	Item #	Item #	Item #
1/2"	E05D	1400401	1800401	2000401	2400401
3/4" x 1/2"	1/2D	1400405	1800405	2000405	☎
3/4"	07D	1400407	1800407	2000407	2400407
1"	10D	1400410	1800410	2000410	2400410
1-1/4"	12D	1400412	1800412	2000412	2400412
1-1/2"	15D	1400415	1800415	2000415	2400415
2"	20D	1400420	1800420	2000420	2400420
2-1/2"	25D	1400425	1800425	2000425	2400425
3"	30D	1400430	1800430	2000430	2400430
4"	40D	1400440	1800440	2000440	2400440
5"	50D	1400450	1800450	2000450	2400450
6"	60D	1400460	1800460	2000460	2400460
8"	80D	1400480	1800480	2000480	2400480
10"	100D	1400490	1800490	2000490	2400490
12"	120D	1400492	☎	☎	☎

		Polypropylene	Food Grade Poly	Nylon
Size	Part Name	Item #	Item #	Item #
3/4"	07D	2700407	2770407	2900407
1"	10D	2700410	2770410	2900410
1-1/4"	12D	2700412	2770412	☎
1-1/2"	15D	2700415	2770415	2900415
2"	20D	2700420	2770420	2900420
3"	30D	2700430	2770430	2900430



E-ADAPTER ADAPTER X HOSE SHANK

Made in the U.S.A.



All Stainless Steel cam and groove fittings are 316 Stainless Steel.

PT hose shanks are the most versatile for attaching to hose. The specially designed multi-barbed shank allows for attachment via original PUNCH-LOK® center punch clamps (see page 134 for more details), or by an interlocked PROGRIP™ C-50 ferrule or sleeve. See pages 105-113 for more details.

All 1-1/2" to 6" Aluminum or Hard Coat Aluminum hose shank couplings are available with Undersized Shank. To order add the letters "US" after the existing item numbers listed above.

E-Adapter line drawings & dimensions are on page 166.

		Aluminum	Brass	Stainless Steel
Size	Part Name	Item #	Item #	Item #
1/2"	E05E	1000501	1200501	1400501
3/4" x 1/2"	1/2E	☎	1200505	1400505
3/4"	07E	1000507	1200507	1400507
1"	10E	1000510	1200510	1400510
1-1/4"	12E	1000512	1200512	1400512
1-1/2"	15E	1000515	1200515	1400515
2"	20E	1000520	1200520	1400520
2-1/2"	25E	1000525	1200525	1400525
3"	30E	1000530	1200530	1400530
4"	40E	1000540	1200540	1400540
5"	50E	1000550	1200550	1400550
6"	60E	1000560	1200560	1400560
8"	80E	1000580	1200580	1400580
10"	100E	1000590	☎	1400590
12"	120E	1000592	☎	☎

		Ductile Iron	Hard Coat Alum	Carbon Steel
Size	Part Name	Item #	Item #	Item #
1/2"	E05E	1800501	2000501	2400501
3/4" x 1/2"	1/2E	☎	☎	☎
3/4"	07E	1800507	2000507	2400507
1"	10E	1800510	2000510	2400510
1-1/4"	12E	1800512	2000512	2400512
1-1/2"	15E	1800515	2000515	2400515
2"	20E	1800520	2000520	2400520
2-1/2"	25E	1800525	2000525	2400525
3"	30E	1800530	2000530	2400530
4"	40E	1800540	2000540	2400540
5"	50E	1800550	2000550	☎
6"	60E	1800560	2000560	2400560
8"	80E	1800580	2000580	☎
10"	100E	1800590	2000590	☎
12"	120E	☎	☎	☎

		Polypropylene	Food Grade Poly	Nylon
Size	Part Name	Item #	Item #	Item #
3/4"	07E	2700507	2770507	2900507
1"	10E	2700510	2770510	2900510
1-1/4"	12E	2700512	2770512	☎
1-1/2"	15E	2700515	2770515	2900515
2"	20E	2700520	2770520	2900520
3"	30E	2700530	2770530	2900530
4"	40E	2700540	☎	☎



		Aluminum	Brass	Stainless Steel
Size	Part Name	Item #	Item #	Item #
1/2"	E05F	1000601	1200601	1400601
3/4" x 1/2"	1/2F	1000605	1200605	1400605
3/4"	07F	1000607	1200607	1400607
1"	10F	1000610	1200610	1400610
1-1/4"	12F	1000612	1200612	1400612
1-1/2"	15F	1000615	1200615	1400615
2"	20F	1000620	1200620	1400620
2-1/2"	25F	1000625	1200625	1400625
3"	30F	1000630	1200630	1400630
4"	40F	1000640	1200640	1400640
5"	50F	1000650	1200650	1400650
6"	60F	1000660	1200660	1400660
8"	80F	1000680	1200680	1400680
10"	100F	1000690	1200690	1400690
12"	120F	1000692	☎	1400692

F-ADAPTER
ADAPTER X MALE
NPT THREAD
 Made in the U.S.A.



Now available with BSP Threads.

All Stainless Steel cam and groove fittings are 316 Stainless Steel.

F-Adapter line drawings & dimensions are on page 166.

PT Coupling maintains inventories at all of their branch warehouse locations.

		Ductile Iron	Hard Coat Alum	Carbon Steel
Size	Part Name	Item #	Item #	Item #
1/2"	E05F	1800601	2000601	2400601
3/4" x 1/2"	1/2F	1800605	2000605	2400605
3/4"	07F	1800607	2000607	2400607
1"	10F	1800610	2000610	2400610
1-1/4"	12F	1800612	2000612	2400612
1-1/2"	15F	1800615	2000615	2400615
2"	20F	1800620	2000620	2400620
2-1/2"	25F	1800625	2000625	2400625
3"	30F	1800630	2000630	2400630
4"	40F	1800640	2000640	2400640
5"	50F	1800650	2000650	☎
6"	60F	1800660	2000660	2400660
8"	80F	1800680	2000680	☎
10"	100F	1800690	2000690	☎
12"	☎	☎	☎	☎

		Polypropylene	Food Grade Poly	Nylon
Size	Part Name	Item #	Item #	Item #
3/4"	07F	2700607	2770607	2900607
1"	10F	2700610	2770610	2900610
1-1/4"	12F	2700612	2770612	2900612
1-1/2"	15F	2700615	2770615	2900615
2"	20F	2700620	2770620	2900620
3"	30F	2700630	2770630	2900630



V-COUPLER DUST CAP

Made in the U.S.A.



HBS cam arms are made of 300 series Stainless Steel.

HB cam arms are made of Brass.

8, 10 and 12 inch couplers are 4-cam designs with the STA-LOK® positive locking feature.

All Stainless Steel cam and groove fittings are 316 Stainless Steel with 300 series Stainless Steel components, unless otherwise noted.

Please call for special quote on components in 316 Stainless Steel.

V-Coupler line drawings & dimensions are on page 167.

PT Coupling maintains inventories at all of their branch warehouse locations.

		Aluminum/HBS	Aluminum/HB	Brass/HB	Brass/HBS
Size	Part Name	Item #	Item #	Item #	Item #
1/2"	E05V	1001101	1071101	1201101	1291101
3/4"	07V	1001107	1071107	1201107	1291107
1"	10V	1001110	1071110	1201110	1291110
1-1/4"	12V	1001112	1071112	1201112	1291112
1-1/2"	15V	1001115	1071115	1201115	1291115
2"	20V	1001120	1071120	1201120	1291120
2-1/2"	25V	1001125	1071125	1201125	1291125
3"	30V	1001130	1071130	1201130	1291130
4"	40V	1001140	1071140	1201140	1291140
5"	50V	1001150	1071150	1201150	☎
6"	60V	1001160	1071160	1201160	☎
8"	80V	1001180	1071180	1201180	☎
10"	100V	1001190	1071190	1201190	☎
12"	120V	1001192	1071192	1201192	☎

		Stainless Steel	Ductile Iron	Hard Coat Alum	Carbon Steel
Size	Part Name	Item #	Item #	Item #	Item #
1/2"	E05V	1401101	1801101	2001101	☎
3/4"	07V	1401107	1801107	2001107	2401107
1"	10V	1401110	1801110	2001110	2401110
1-1/4"	12V	1401112	1801112	2001112	☎
1-1/2"	15V	1401115	1801115	2001115	2401115
2"	20V	1401120	1801120	2001120	2401120
2-1/2"	25V	1401125	1801125	2001125	2401125
3"	30V	1401130	1801130	2001130	2401130
4"	40V	1401140	1801140	2001140	2401140
5"	50V	1401150	1801150	2001150	☎
6"	60V	1401160	1801160	2001160	2401160
8"	80V	1401180	1801180	2001180	2401180
10"	100V	1401190	1801190	☎	☎
12"	120V	1401192	1801192	☎	☎

		Polypropylene	Food Grade Poly	Nylon
Size	Part Name	Item #	Item #	Item #
3/4"	07V	2701107	2771107	2901107
1"	10V	2701110	2771110	2901110
1-1/4"	12V	2701112	2771112	☎
1-1/2"	15V	2701115	2771115	2901115
2"	20V	2701120	2771120	2901120
3"	30V	2701130	2771130	2901130
4"	40V	2701140	2771140	2901140



		Aluminum XLB	Aluminum XLS	*Brass	**Stainless Steel
Size	Part Name	Item #	Item #	Item #	Item #
1-1/2"	15VL	60800015	☎	62800015	64800015S
2"	20VL	60800020	☎	62800020	64800020
2-1/2"	25VL	60800025	608000251	62800025	64800025
3"	30VL	60800030	60800031	62800030	64800030
4"	40VL	60800040	60800041	62800040	64800040
5"	50VL	60800050	☎	62800050	64800050
6"	60VL	60800060	☎	62800060	64800060

		* Ductile Iron	*Hard Coat Alum	**Polypropylene
Size	Part Name	Item #	Item #	Item #
1-1/2"	15VL	☎	☎	67800015
2"	20VL	68800020	70800020	67800020
2-1/2"	25VL	68800025	70800025	☎
3"	30VL	68800030	70800030	67800030
4"	40VL	68800040	70800040	67800040
5"	50VL	68800050	☎	☎
6"	60VL	68800060	70800060	☎

*Priced with Brass cam arms.

**Priced with 316 Stainless Steel cam arms and 300 series Stainless Steel pin and ring
Pull rings are not included in the 6 inch XL Locking Cam Assembly.

VL-COUPLER DUST CAP W/ LOCKING CAM ARMS

Made in the U.S.A.



Chain Lug diameter is .25" or greater.

All Stainless Steel cam and groove fittings are 316 Stainless Steel, with 300 series Stainless Steel components, unless otherwise noted.

Basic Standard Parts - VL-Coupler

15

		316 Stainless Steel	Brass
Coupler Size	Part Name	Item #	Item #
2" & 2-1/2"	20XL	5004020A	5003520A
3" & 4"	30/40XL	5004030A	5003530A
5"	50XL	☎	5003550A
6"	60XL	☎	5003560A

316 Stainless Steel cam arms come standard with 300 series pin and ring.
Pull rings are not included in the 6 inch XL Locking Cam Assembly.

XL LOCKING CAM ASSEMBLY FOR VL COUPLER

1 CAM ARM, 1 PIN & 1
PULL RING

Made in the U.S.A.



		SS Chain W/Hooks	SS Chain W/Rings
Size	Part Name	Item #	Item #
6"	S56 SS	5101060A	5101061A
8"	S51 SS	5101080A	5101081A
12"	S52 SS	5101092A	5101093A
48"	S52 SS	5101094A	☎

SECURITY CHAINS FOR DUST CAPS & DUST PLUGS



		Brass Chain W/Hooks	Brass Chain W/Rings
Size	Part Name	Item #	Item #
6"	C51 Brass	5100560A	5100560B
12"	C52 Brass	5100592A	5105592A





**W-ADAPTER
DUST PLUG**
Made in the U.S.A.



All Stainless Steel cam and groove fittings are 316 Stainless Steel.

W-Adapter line drawings & dimensions are on page 167.

PT Coupling maintains inventories at all of their branch warehouse locations.

		Aluminum	Brass	Stainless Steel
Size	Part Name	Item #	Item #	Item #
1/2"	E05W	1001201	1201201	1401201
3/4"	07W	1001207	1201207	1401207
1"	10W	1001210	1201210	1401210
1-1/4"	12W	1001212	1201212	1401212
1-1/2"	15W	1001215	1201215	1401215
2"	20W	1001220	1201220	1401220
2-1/2"	25W	1001225	1201225	1401225
3"	30W	1001230	1201230	1401230
4"	40W	1001240	1201240	1401240
5"	50W	1001250	1201250	1401250
6"	60W	1001260	1201260	1401260
8"	80W	1001280	1201280	1401280
10"	100W	1001290	1201290	1401290
12"	120W	1001292	☎	☎

		Ductile Iron	Hard Coat Alum	Carbon Steel
Size	Part Name	Item #	Item #	Item #
1/2"	E05W	1801201	2001201	2401201
3/4"	07W	1801207	2001207	2401207
1"	10W	1801210	2001210	2401210
1-1/4"	12W	1801212	2001212	☎
1-1/2"	15W	1801215	2001215	2401215
2"	20W	1801220	2001220	2401220
2-1/2"	25W	1801225	2001225	☎
3"	30W	1801230	2001230	2401230
4"	40W	1801240	2001240	2401240
5"	50W	1801250	2001250	☎
6"	60W	1801260	2001260	☎
8"	80W	1801280	2001280	☎
10"	100W	1801290	☎	☎
12"	120W	☎	☎	☎

		Polypropylene	Food Grade Poly	Nylon
Size	Part Name	Item #	Item #	Item #
3/4"	07W	2701207	2771207	2901207
1"	10W	2701210	2771210	2901210
1-1/4"	12W	2701212	2771212	☎
1-1/2"	15W	2701215	2771215	2901215
2"	20W	2701220	2771220	2901220
3"	30W	2701230	2771230	2901230
4"	40W	2701240	2771240	☎



STA-LOK® is a positive locking feature that comes with Carbon Steel or Stainless Steel hitch pin clips. You may also substitute a padlock in place of the hitch pin clip. Proper use of these mechanisms can help prevent spills by keeping the cam arms from opening under adverse conditions, such as high vibrations, pulsing, wear, and hazardous materials. **STA-LOK® couplers meet the Coast Guard ASTM 1122-87 specifications for Quick Disconnect Couplers.**

		Aluminum/HBS	Aluminum/HB	Brass/HB	Stainless Steel
Size	Part Name	Item #	Item #	Item #	Item #
1-1/2"	15BSL			1200215SL	
2"	20BSL	1000220SL	1070220SL	1200220SL	1400220SL
2-1/2"	25BSL			1200225SL	
3"	30BSL	1000230SL	1070230SL	1200230SL	1400230SL
4"	40BSL	1000240SL	1070240SL	1200240SL	

		Aluminum/HBS	Aluminum/HB	Brass/HB
Size	Part Name	Item #	Item #	Item #
1"	10CSL	1000310SL	1070310SL	1200310SL
1-1/4"	12CSL			1200312SL
1-1/2"	15CSL	1000315SL	1070315SL	1200315SL
2"	20CSL	1000320SL	1070320SL	1200320SL
3"	30CSL	1000330SL	1070330SL	1200330SL
4"	40CSL	1000340SL	1070340SL	1200340SL
5"	50CSL			1200350SL

		Brass/HBS	Stainless Steel	Polypropylene
Size	Part Name	Item #	Item #	Item #
1"	10CSL		1400310SL	
1-1/4"	12CSL			
1-1/2"	15CSL	1290315SL	1400315SL	
2"	20CSL	1290320SL	1400320SL	2700320SL
3"	30CSL	1290330SL	1400330SL	
4"	40CSL	1290340SL	1400340SL	2700340SL
5"	50CSL		1400350SL	

		Aluminum/HBS	Aluminum/HB	Brass/HB
Size	Part Name	Item #	Item #	Item #
1"	10DSL	1000410SL	1070410SL	1200410SL
1-1/4"	12DSL	1000412SL	1070412SL	1200412SL
1-1/2"	15DSL	1000415SL	1070415SL	1200415SL
2"	20DSL	1000420SL	1070420SL	1200420SL
2-1/2"	25DSL		1070425SL	1200425SL
3"	30DSL	1000430SL	1070430SL	1200430SL
4"	40DSL	1000440SL	1070440SL	1200440SL

		Brass/HBS	Stainless Steel	Ductile
Size	Part Name	Item #	Item #	Item #
1"	10DSL	1290410SL	1400410SL	
1-1/4"	12DSL			1800412SL
1-1/2"	15DSL	1290415SL	1400415SL	1800415SL
2"	20DSL	1290420SL	1400420SL	1800420SL
2-1/2"	25DSL	1290425SL		
3"	30DSL		1400430SL	
4"	40DSL		1400440SL	

BSL - COUPLER STA-LOK® COUPLER X MALE NPT THREAD

Made in the U.S.A.



CSL - COUPLER STA-LOK® COUPLER X HOSE SHANK

Made in the U.S.A. .



Basic Standard Couplers in 8, 10, and 12 inch have a 4-cam design with the STA-LOK® positive locking feature. Available on pages 9 - 11 & 14.

DSL - COUPLER STA-LOK® COUPLER X FEMALE NPT THREAD

Made in the U.S.A.



Now available with BSP Threads.

HBS cam arms are made of 300 series Stainless Steel.

HB cam arms are made of Brass.

Standard Cam assemblies in HB and HBS may be used on all STA LOK® parts.

All Stainless Steel cam and groove fittings are 316 Stainless Steel with 300 series Stainless Steel components, unless otherwise noted.

Please call for special quote on components in 316 Stainless Steel.



VSL-DUST CAP STA-LOK® DUST CAP

Made in the U.S.A.



PF20CSL STA-LOK® COUPLER X PIPE FLANGE

Made in the U.S.A.



Basic Standard Couplers in 8, 10, and 12 inch have a 4-cam design with the STA-LOK® positive locking feature. Available on pages 9-11 & 14.

STA-LOK® couplers meet the Coast Guard ASTM 1122-87 specifications for Quick Disconnect Couplers.

		Aluminum/HBS	Aluminum/HB	Brass	Stainless Steel
Size	Part Name	Item #	Item #	Item #	Item #
2"	20VSL	1001120SL	1071120SL	1201120SL	1401120SL
2-1/2"	25VSL	1001125SL	1071125SL	1201125SL	1401125SL
3"	30VSL	1001130SL	1071130SL	1201130SL	1401130SL
4"	40VSL	1001140SL	1071140SL	1201140SL	

		Stainless Steel
Size	Part Name	Item #
2"	PF20CSL	64542000SL

Pipe Flange bolt pattern conforms to ANSI B16.5 Class 150

HBS cam arms are made of 300 series Stainless Steel.

HB cam arms are made of Brass.

Standard Cam assemblies in HB and HBS may be used on all STA LOK® parts.

All Stainless Steel cam and groove fittings are 316 Stainless Steel with 300 series Stainless Steel components, unless otherwise noted.

Please call for special quote on components in 316 Stainless Steel.

PAD-LOCK SPECIALLY DESIGNED FOR ADDED SECURITY

Made in the U.S.A.

	Brass
Part Name	Item #
PADLOCK	5020029

For use with STA-LOK®-VL Locking Caps and SECURE-LOK™.



REPLACEMENT KIT 2 HEAVY DUTY STEEL CABLES AND HITCH PINS

Made in the U.S.A.

	Carbon Steel Clip	Stainless Steel Clip
Part Name	Item #	Item #
STA LOCK Cable Kit	5005011A	5005010A

For use with STA-LOK® fittings.





STA-LOK® II is a passive locking feature that automatically locks the handle into place, if it is fully closed. To open the handles there are manual quick release levers. Proper use of this mechanism can help prevent spills by keeping the cam arms from opening under adverse conditions, such as high vibrations, pulsing, wear, and hazardous materials. **STA-LOK® II couplers meet the Coast Guard ASTM 1122-87 specifications for Quick Disconnect Couplers.**

		Aluminum/SLS	Aluminum/SLB	Stainless Steel
Size	Part Name	Item #	Item #	Item #
1"	10B SLII	1000210L2	1070210L2	1400210L2
1-1/4"	12B SLII	1000212L2	1070212L2	1400212L2
1-1/2"	15B SLII	1000215L2	1070215L2	1400215L2
2"	20B SLII	1000220L2	1070220L2	1400220L2
2-1/2"	25B SLII	1000225L2	1070225L2	1400225L2
3"	30B SLII	1000230L2	1070230L2	1400230L2
4"	40B SLII	1000240L2	1070240L2	1400240L2
5"	50B SLII	1000250L2	1070250L2	1400250L2
6"	60B SLII	1000260L2	☎	1400260L2

		Brass/SLS	Brass/SLB	Ductile
Size	Part Name	Item #	Item #	Item #
1"	10B SLII	1290210L2	1200210L2	1800210L2
1-1/4"	12B SLII	1290212L2	1200212L2	☎
1-1/2"	15B SLII	1290215L2	1200215L2	☎
2"	20B SLII	1290220L2	1200220L2	1800220L2
2-1/2"	25B SLII	1290225L2	1200225L2	☎
3"	30B SLII	1290230L2	1200230L2	1800230L2
4"	40B SLII	1290240L2	1200240L2	1800240L2
5"	50B SLII	1290250L2	1200250L2	☎
6"	60B SLII	☎	1200260L2	☎

		Hard Coat Alum	Polypropylene	Food Grade Poly
Size	Part Name	Item #	Item #	Item #
1"	10B SLII	2000210L2	2700210L2	2770210L2
1-1/4"	12B SLII	2000212L2	2700212L2	☎
1-1/2"	15B SLII	2000215L2	2700215L2	☎
2"	20B SLII	2000220L2	2700220L2	☎
2-1/2"	25B SLII	2000225L2	☎	☎
3"	30B SLII	2000230L2	2700230L2	☎
4"	40B SLII	2000240L2	☎	☎

B-COUPLER
STA-LOK® II
COUPLER X MALE
NPT THREAD
 Made in the U.S.A.



SLS cam arms are made of 316 Stainless Steel.

SLB cam arms are made of Brass.

Pins, rings & the lock plate in STA-LOK® II couplings are 300 series Stainless Steel.

All Stainless Steel cam and groove fittings are 316 Stainless Steel unless otherwise noted.

Please call for special quote on components in 316 Stainless Steel.

Now available with BSP threads.

PT Coupling maintains inventories at all of their branch warehouse locations.



C-COUPLER

STA-LOK® II

COUPLER X HOSE
SHANK

Made in the U.S.A.



SLS cam arms are made of 316 Stainless Steel.

SLB cam arms are made of Brass.

Pins, rings & the lock plate in STA-LOK® II couplings are 300 series Stainless Steel.

All Stainless Steel cam and groove fittings are 316 Stainless Steel unless otherwise noted.

Please call for special quote on components in 316 Stainless Steel.

PT Coupling maintains inventories at all of their branch warehouse locations.

STA-LOK® II couplers meet the Coast Guard ASTM 1122-87 specifications for Quick Disconnect Couplers.

		Aluminum/SLS	Aluminum/SLB	Stainless Steel
Size	Part Name	Item #	Item #	Item #
1"	10C SLII	1000310L2	1070310L2	1400310L2
1-1/4"	12C SLII	1000312L2	1070312L2	1400312L2
1-1/2"	15C SLII	1000315L2	1070315L2	1400315L2
2"	20C SLII	1000320L2	1070320L2	1400320L2
2-1/2"	25C SLII	1000325L2	1070325L2	1400325L2
2-1/2"	25C SLII	*1000325UL2	☎	☎
3"	30C SLII	1000330L2	1070330L2	1400330L2
4"	40C SLII	1000340L2	1070340L2	1400340L2
5"	50C SLII	1000350L2	1070350L2	1400350L2
6"	60C SLII	1000360L2	1070360L2	1400360L2

*Undersized Shank

		Brass/SLS	Brass/SLB	Ductile
Size	Part Name	Item #	Item #	Item #
1"	10C SLII	1290310L2	1200310L2	☎
1-1/4"	12C SLII	1290312L2	1200312L2	☎
1-1/2"	15C SLII	1290315L2	1200315L2	☎
2"	20C SLII	1290320L2	1200320L2	1800320L2
2-1/2"	25C SLII	1290325L2	1200325L2	1800325L2
3"	30C SLII	1290330L2	1200330L2	1800330L2
4"	40C SLII	1290340L2	1200340L2	1800340L2
5"	50C SLII	1290350L2	1200350L2	☎
6"	60C SLII	☎	1200360L2	1800360L2

		Hard Coat Alum	Polypropylene	Food Grade Poly
Size	Part Name	Item #	Item #	Item #
1"	10C SLII	2000310L2	2700310L2	☎
1-1/4"	12C SLII	2000312L2	2700312L2	☎
1-1/2"	15C SLII	2000315L2	2700315L2	☎
2"	20C SLII	2000320L2	2700320L2	2770320L2
2-1/2"	25C SLII	2000325L2	☎	☎
3"	30C SLII	2000330L2	2700330L2	☎
4"	40C SLII	2000340L2	2700340L2	☎
5"	50C SLII	2000350L2	☎	☎
6"	60C SLII	☎	☎	☎



STA-LOK® II couplers meet the Coast Guard ASTM 1122-87 specifications for Quick Disconnect Couplers.

		Aluminum/SLS	Aluminum/SLB	Stainless Steel
Size	Part Name	Item #	Item #	Item #
1"	10D SLII	1000410L2	1070410L2	1400410L2
1-1/4"	12D SLII	1000412L2	1070412L2	1400412L2
1-1/2"	15D SLII	1000415L2	1070415L2	1400415L2
2"	20D SLII	1000420L2	1070420L2	1400420L2
2-1/2"	25D SLII	1000425L2	1070425L2	1400425L2
3"	30D SLII	1000430L2	1070430L2	1400430L2
4"	40D SLII	1000440L2	1070440L2	1400440L2
5"	50D SLII	1000450L2	1070450L2	1400450L2
6"	60D SLII	1000460L2	1070460L2	1400460L2

		Brass/SLS	Brass/SLB	Ductile
Size	Part Name	Item #	Item #	Item #
1"	10D SLII	1290410L2	1200410L2	1800410L2
1-1/4"	12D SLII	1290412L2	1200412L2	1800412L2
1-1/2"	15D SLII	1290415L2	1200415L2	1800415L2
2"	20D SLII	1290420L2	1200420L2	1800420L2
2-1/2"	25D SLII	1290425L2	1200425L2	1800425L2
3"	30D SLII	1290430L2	1200430L2	1800430L2
4"	40D SLII	1290440L2	1200440L2	1800440L2
5"	50D SLII	1290450L2	1200450L2	1800450L2
6"	60D SLII	1290460L2	1200460L2	☎

		Hard Coat Alum	Polypropylene	Food Grade Poly
Size	Part Name	Item #	Item #	Item #
1"	10D SLII	2000410L2	2700410L2	2770410L2
1-1/4"	12D SLII	2000412L2	2700412L2	☎
1-1/2"	15D SLII	2000415L2	2700415L2	2770415L2
2"	20D SLII	2000420L2	2700420L2	2770420L2
2-1/2"	25D SLII	2000425L2	☎	☎
3"	30D SLII	2000430L2	2700430L2	☎
4"	40D SLII	2000440L2	☎	☎
5"	50D SLII	2000450L2	☎	☎
6"	60D SLII	2000460L2	☎	☎

**D-COUPLER
STA-LOK® II
COUPLER X FEMALE
NPT THREAD**
Made in the U.S.A.



SLS cam arms are made of 316 Stainless Steel.

SLB cam arms are made of Brass.

Pins, rings & the lock plate in STA-LOK® II couplings are 300 series Stainless Steel.

All Stainless Steel cam and groove fittings are 316 Stainless Steel unless otherwise noted.

Please call for special quote on components in 316 Stainless Steel.

Now available with BSP threads.

PT Coupling maintains inventories at all of their branch warehouse locations.



**V-DUST CAP
STA-LOK® II
DUST CAP**

Made in the U.S.A.



SLS cam arms are made of 316 Stainless Steel.

SLB cam arms are made of Brass.

Pins, rings & the lock plate in STA-LOK® II couplings are 300 series Stainless Steel.

All Stainless Steel cam and groove fittings are 316 Stainless Steel unless otherwise noted.

Please call for special quote on components in 316 Stainless Steel.

PT Coupling maintains inventories at all of their branch warehouse locations.

STA-LOK® II couplers meet the Coast Guard ASTM 1122-87 specifications for Quick Disconnect Couplers.

		Aluminum/SLS	Aluminum/SLB	Stainless Steel
Size	Part Name	Item #	Item #	Item #
1"	10V SLII	1001110L2	1071110L2	1401110L2
1-1/4"	12V SLII	1001112L2	1071112L2	1401112L2
1-1/2"	15V SLII	1001115L2	1071115L2	1401115L2
2"	20V SLII	1001120L2	1071120L2	1401120L2
2-1/2"	25V SLII	1001125L2	1071125L2	1401125L2
3"	30V SLII	1001130L2	1071130L2	1401130L2
4"	40V SLII	1001140L2	1071140L2	1401140L2
5"	50V SLII	1001150L2	1071150L2	1401150L2
6"	60V SLII	1001160L2	☎	1401160L2

		Brass/SLS	Brass/SLB	Ductile
Size	Part Name	Item #	Item #	Item #
1"	10V SLII	1291110L2	1201110L2	1801110L2
1-1/4"	12V SLII	1291112L2	1201112L2	1801112L2
1-1/2"	15V SLII	1291115L2	1201115L2	☎
2"	20V SLII	1291120L2	1201120L2	1801120L2
2-1/2"	25V SLII	1291125L2	1201125L2	1801125L2
3"	30V SLII	1291130L2	1201130L2	1801130L2
4"	40V SLII	1291140L2	1201140L2	1801140L2
5"	50V SLII	1291150L2	1201150L2	☎
6"	60V SLII	☎	1201160L2	☎

		Hard Coat Alum	Polypropylene	Food Grade Poly	Nylon
Size	Part Name	Item #	Item #	Item #	Item #
1"	10V SLII	2001110L2	2701110L2	2771110L2	☎
1-1/4"	12V SLII	2001112L2	2701112L2	☎	☎
1-1/2"	15V SLII	2001115L2	2701115L2	☎	2901115L2
2"	20V SLII	2001120L2	2701120L2	☎	2901120L2
2-1/2"	25V SLII	2001125L2	☎	☎	☎
3"	30V SLII	2001130L2	2701130L2	☎	☎
4"	40V SLII	2001140L2	2701140L2	☎	☎
5"	50V SLII	2001150L2	☎	☎	☎
6"	60V SLII	2001160L2	☎	☎	☎



STA-LOK® II couplers meet the Coast Guard ASTM 1122-87 specifications for Quick Disconnect Couplers.

		Aluminum	Brass	Stainless Steel
Size	Part Name	Item #	Item #	Item #
1" X 1"	10CX10C SLII	60271010L2	☎	☎
2" x 1-1/2"	20CX15C SLII	☎	☎	64272015L2
2" x 2"	20CX20C SLII	60272020L2	62272020L2	64272020L2
3" x 2"	30CX20C SLII	60273020L2	62223020L2	64273020L2
3" x 2-1/2"	30CX25C SLII	☎	☎	☎
3" x 3"	30CX30C SLII	60273030L2	62273030L2	64273030L2
4" x 3"	40CX30C SLII	60274030L2	62274030L2	64274030L2
4" x 4"	40CX40C SLII	60274040L2	62274030L2	64274040L2
5" x 4"	50CX40C SLII	60275040L2*	62274040L2	☎
5" x 5"	50CX50C SLII	60275050L2	☎	☎
6" x 4"	60CX40C SLII	60276040L2*	☎	☎
10" x 10"	100CX100C SLII	60279090L2	☎	☎

		Aluminum	Brass	Stainless Steel
Size	Part Name	Item #	Item #	Item #
2" x 1-1/2"	20X15B SLII	60182015L2	62182015L2	64182015L2
2-1/2" x 2"	25X20B SLII	60182520L2	☎	64182520L2
3" x 2"	30X20B SLII	60183020L2	62183020L2	64183020L2
4" x 3"	40X30B SLII	60184030L2	62184030L2	☎

Now available with BSP threads.

		Aluminum	Brass	Stainless Steel
Size	Part Name	Item #	Item #	Item #
2" x 1-1/2"	20X15C SLII	60222015L2	62222015L2	64222015L2
3" x 2"	30X20C SLII	60223020L2	62223020L2	64223020L2
3" x 2-1/2"	30X25C SLII	60223025L2	☎	64223025L2
4" x 3"	40X30C SLII	60224030L2	62224030L2	64224030L2

*SLS cam arms are made of 316 Stainless Steel.
SLB cam arms are made of Brass.*

Pins, rings & the lock plate in STA-LOK® II couplers are 300 series Stainless Steel.

All Stainless Steel cam and groove fittings are 316 Stainless Steel unless otherwise noted.

Please call for special quote on components in 316 Stainless Steel.

PT Coupling maintains inventories at all of their branch warehouse locations

		Aluminum	Brass	Stainless Steel
Size	Part Name	Item #	Item #	Item #
1-1/2" x 1"	15X10D SLII	60201510L2	☎	64201510L2
1-1/2" x 1-1/4"	15X12D SLII	☎	☎	☎
2" x 1"	20X10D SLII	60202010L2*	☎	☎
2" x 1-1/2"	20X15D SLII	60202015L2	62202015L2	64202015L2
2-1/2" x 1"	25X10D SLII	☎	☎	☎
2-1/2" x 2"	25X20D SLII	☎	☎	6420251L2
3" x 1"	30X10D SLII	60203010L2*	☎	☎
3" x 2"	30X20D SLII	60203020L2	62203020L2	64203020L2

Now available with BSP threads.

**Denotes parts are produced as a welded fabrication.*

**CXC COUPLER
STA-LOK® II
COUPLER X COUPLER**
Made in the U.S.A.



**B-COUPLER
STA-LOK® II REDUCER
COUPLER X MALE
NPT THREAD**
Made in the U.S.A.



**C-COUPLER
STA-LOK® II REDUCER
COUPLER X HOSE
SHANK**
Made in the U.S.A.



**D-COUPLER
STA-LOK® II REDUCER
COUPLER X FEMALE
NPT THREAD**
Made in the U.S.A.





**CXA SHORT
STA-LOK® II REDUCER
COUPLER X ADAPTER**

Made in the U.S.A.



SLS cam arms are made of 316 Stainless Steel.

SLB cam arms are made of Brass.

Pins, rings & the lock plate in STA-LOK® II couplings are 300 series Stainless Steel.

All Stainless Steel cam and groove fittings are 316 Stainless Steel unless otherwise noted.

Please call for special quote on components in 316 Stainless Steel.

PT Coupling maintains inventories at all of their branch warehouse locations.

**Denotes parts are produced as a welded fabrication.*

STA-LOK® II couplers meet the Coast Guard ASTM 1122-87 specifications for Quick Disconnect Couplers.

		Aluminum/SLS	Aluminum/SLB	Stainless Steel
Size	Part Name	Item #	Item #	Item #
2" x 1"	20CX10A SLII	☎	☎	64262010L2*
2-1/2" x 2"	25CX20A SLII	☎	☎	64262520L2*
3" x 2"	30CX20A SLII	60263020L2	☎	☎
4" x 2"	40CX20A SLII	60264020L2	☎	64264020L2
4" x 2-1/2"	40CX25A SLII	☎	☎	64264025L2
4" x 3"	40CX30A SLII	60264030L2	60264031L2	64264032L2
5" x 3"	50CX30A SLII	60265030L2*	☎	☎
6" x 3"	60CX30A SLII	☎	60266030L2	64266030L2
6" x 4"	60CX40A SLII	☎	60266040L2	64266040L2

		Brass/SLS	Brass/SLB	Ductile
Size	Part Name	Item #	Item #	Item #
3" x 2"	30CX20A SLII	6226000010	62263020L2	68263020L2
4" x 2"	40CX20A SLII	62264020L2	☎	☎
4" x 3"	40CX30A SLII	☎	62264030L2	68264030L2
6" x 3"	60CX30A SLII	☎	62266030L2	☎
6" x 4"	60CX40A SLII	☎	62266040L2	☎



STA-LOK® II couplers meet the Coast Guard ASTM 1122-87 specifications for Quick Disconnect Couplers.

		Aluminum/SLS	Aluminum/SLB	Brass/SLS	Brass/SLB
Size	Part Name	Item #	Item #	Item #	Item #
1" x 1-1/2"	10CX15A SLII	60261015L2	☎	☎	☎
1-1/2" x 2"	15CX20A SLII	60261520L2	☎	☎	62261520L2
2" x 1"	20CX10A SLII	60262010L2*	☎	☎	☎
2" x 1-1/2"	20CX15A SLII	60262015L2	☎	6226000008	62262015L2
2" x 3"	20CX30A SLII	60262030L2	☎	6226000009	62262030L2
2" x 4"	20CX40A SLII	60262040L2	☎	☎	62262040L2
2-1/2" x 2"	25CX20A SLII	60262520L2	☎	☎	62262520L2
3" x 2"	30CX20A SLII	6026302GL2	☎	62260093L2	☎
3" x 2-1/2"	30CX25A SLII	60263025L2	☎	☎	☎
3" x 4"	30CX40A SLII	60263040L2	☎	6226000011	62263040L2
3" x 6"	30CX60A SLII	60263060L2*	☎	☎	☎
4" x 3"	40CX30A SLII	6026403GL2	60264131L2	6226403GL2	62264040L2
4" x 5"	40CX50A SLII	60264050L2	☎	☎	☎
4" x 6"	40CX60A SLII	60264060L2	☎	☎	62264060L2
5" x 4"	50CX40A SLII	60265040L2	☎	☎	☎
6" x 8"	60CX80A SLII	60266080L2	☎	☎	☎
6" x 10"	60CX100A SLII	☎	60266090L2	☎	☎

		Stainless Steel	Hard Coat Alum
Size	Part Name	Item #	Item #
1" x 2"	10CX20A SLII	64261020L2*	☎
1-1/2" x 2"	15CX20A SLII	64261520L2	☎
2" x 1-1/2"	20CX15A SLII	64262015L2	70262015L2
2" x 2-1/2"	20CX25A SLII	64262025L2*	☎
2" x 3"	20CX30A SLII	64262030L2	☎
2" x 4"	20CX40A SLII	64262040L2*	☎
3" x 2"	30CX20A SLII	64263020L2	☎
3" x 2-1/2"	30CX25A SLII	☎	70263025L2
3" x 4"	30CX40A SLII	64263040L2	70263040L2
4" x 3"	40CX30A SLII	64264030L2	☎
4" x 6"	40CX60A SLII	☎	70264060L2
5" x 4"	50CX40A SLII	64265040L2	☎
5" x 6"	50CX60A SLII	64265060L2*	☎

	316 Stainless Steel		Brass	
Coupler Size	Part Name	Item #	Part Name	Item #
1"	SLS11	5009010A	SLB11	5006010A
1-1/4"	SLS12	5009012A	SLB12	5006012A
1-1/2"	SLS15	5009015A	SLB15	5006015A
2" & 2-1/2"	SLS20	5009020A	SLB20	5006020A
3, 4, & 5"	SLS30	5009030A	SLB30	5006030A
6, 8, 10 & 12"	SLS60	5009060A	SLB60	5006060A

STA-LOK® II cam arms are 316 Stainless Steel. Pins, rings & the lock plate replacement cam assemblies are 300 series Stainless Steel.

CXA LONG STA-LOK® II REDUCER COUPLER X ADAPTER

Made in the U.S.A.



SLS cam arms are made of 316 Stainless Steel.

SLB cam arms are made of Brass.

Pins, rings & the lock plate in STA-LOK® II couplings are 300 series Stainless Steel.

All Stainless Steel cam and groove fittings are 316 Stainless Steel unless otherwise noted.

Please call for special quote on components in 316 Stainless Steel.

PT Coupling maintains inventories at all of their branch warehouse locations.

*Denotes parts are produced as a welded fabrication.

STA-LOK® II REPLACEMENT CAM ASSEMBLY

1 CAM ARM, PIN, PULL RING AND LOCK PLATE

Made in the U.S.A.





A-ADAPTER REDUCER ADAPTER X FEMALE NPT THREAD

Made in the U.S.A.



All Stainless Steel cam and groove fittings are 316 Stainless Steel.

PT Coupling maintains inventories at all of their branch warehouse locations.

*Denotes parts are produced as a welded fabrication.

		Aluminum	Brass	Stainless Steel
Size	Part Name	Item #	Item #	Item #
3/4" x 1"	07X10A	60220710	☎	☎
1" x 1/2"	10X05A	☎	☎	64141001
1" x 1-1/2"	10X15A	60141015	☎	64141015
1-1/2" x 1"	15X10A	60141510	62141510	64141510
1-1/2" x 1-1/4"	15X12A	☎	62141512	64141512
1-1/2" x 2"	15X20A	60141520	62141520	64141520
2" x 1-1/4"	20X12A	60142012*	☎	☎
2" x 1-1/2"	20X15A	60142015	62142015	64142015
2" x 2-1/2"	20X25A	60142025	62142025	64142025
2" x 3"	20X30A	60142030	62142030	64142030
2" x 4"	20X40A	60142040*	☎	64142040*
2-1/2" x 1-1/2"	25X15A	60142515	☎	☎
2-1/2" x 2"	25X20A	60142520	62142520	64142520
2-1/2" x 3"	25X30A	60142530	62142530	64142530
2-1/2" x 4"	25X40A	60142540	62142540	☎
3" x 1"	30X10A	☎	☎	☎
3" x 2"	30X20A	60143020	62143020	64143020
3" x 2-1/2"	30X25A	60143025	62143025	☎
3" x 4"	30X40A	60143040	62143040	64143040
4" x 2"	40X20A	☎	☎	64144020*
4" x 2-1/2"	40X25A	60144025	62144025	☎
4" x 3"	40X30A	60144030	62144030	64144030
4" x 5"	40X50A	60144050	☎	64144050
5" x 3"	50X30A	60145030	☎	64145030

		Ductile Iron	Hard Coat Alum
Size	Part Name	Item #	Item #
1-1/2" x 2"	15X20A	68141520	70141520
2" x 1-1/4"	20X12A	68142012	☎
2" x 1-1/2"	20X15A	68142015	70142015
2" x 2-1/2"	20X25A	☎	70142025
2" x 3"	20X30A	68142030	70142030
3" x 2"	30X20A	68143020	70143020
3" x 2-1/2"	30X25A	☎	70143025
3" x 4"	30X40A	68143040	70143040
4" x 2-1/2"	40X25A	☎	70144025
4" x 3"	40X30A	68144030	70144030
4" x 5"	40X50A	68144050	☎
5" x 3"	50X30A	68145030	☎



		Aluminum/HBS	Aluminum/HB	Brass
Size	Part Name	Item #	Item #	Item #
1" x 2"	10X20B	60181020	☎	☎
1-1/2" x 1"	15X10B	60181510	601800009	62181510
1-1/2" x 2"	15X20B	60181520	☎	☎
2" x 1"	20X10B	☎	☎	62182010
2" x 1-1/2"	20X15B	60182015	601800001	62182015
2" x 2-1/2"	20X25B	60182025*	☎	☎
2" x 3"	20X30B	60182030	601800002	☎
2-1/2" x 2"	25X20B	60182520	601800003	62182520
2-1/2" x 3"	25X30B	60182530	601800004	☎
3" x 2"	30X20B	60183020	601800005	62183020
3" x 2-1/2"	30X25B	60183025	601800006	62183025
3" x 4"	30X40B	60183040	6018000103	62183040
4" x 2"	40X20B	60184020	601800007	☎
4" x 2-1/2"	40X25B	60184025	☎	62184025
4" x 3"	40X30B	60184030	601800008	62184030
5" x 3"	50X30B	60185030*	☎	☎
5" x 4"	50X40B	60185040*	☎	☎
8"x 6"	80X60B	60188060*	☎	☎
8"x 10"	80X100B	☎	60188090	☎
10"x 8"	100X80B	☎	60189080	☎

B-COUPLER REDUCER
COUPLER X MALE
NPT THREAD
 Made in the U.S.A.



HBS cam arms are made of 300 series Stainless Steel.

HB cam arms are made of Brass.

All Stainless Steel cam and groove fittings are 316 Stainless Steel with 300 series Stainless Steel components, unless otherwise noted.

Please call for special quote on components in 316 Stainless Steel.

All couplings are available with STA-LOK® II cam arms.

PT Coupling maintains inventories at all of their branch warehouse locations

**Denotes parts are produced as a welded fabrication.*

		Stainless Steel	Ductile Iron	Hard Coat Alum
Size	Part Name	Item #	Item #	Item #
1" x 3/4"	10X07B	64181007	☎	☎
1" x 1-1/2"	10X15B	64181015*	☎	☎
1" x 2"	10X20B	☎	☎	☎
1-1/2" x 1"	15X10B	64181510*	☎	70181510
2" x 1"	20X10B	64182010*	☎	☎
2" x 1-1/2"	20X15B	64182015	☎	70182015
2" x 3"	20X30B	64182030*	☎	☎
2-1/2" x 2"	25X20B	64182520	☎	☎
2-1/2" x 3"	25X30B	64182530	☎	70182530
3" x 2"	30X20B	64183020	68183020	70183020
3" x 2-1/2"	30X25B	64183025	☎	☎
3" x 4"	30X40B	64183040*	☎	☎
4" x 2"	40X20B	64184020*	68184020	☎
4" x 3"	40X30B	64184030	68184030	70184030
5" x 3"	50X30B	☎	☎	☎

Reducer Cam & Groove - B - Coupler Reducer



Reducer Cam & Groove - C-Coupler Reducer

C-COUPLER REDUCER COUPLER X HOSE SHANK

Made in the U.S.A.



HBS cam arms are made of 300 series Stainless Steel.

HB cam arms are made of Brass.

All Stainless Steel cam and groove fittings are 316 Stainless Steel with 300 series Stainless Steel components, unless otherwise noted.

Please call for special quote on components in 316 Stainless Steel.

All couplings are available with STA-LOK® II cam arms.

PT Coupling maintains inventories at all of their branch warehouse locations.

**Denotes parts are produced as a welded fabrication.*

Coupler X Hose Shank		Aluminum/HBS	Aluminum/HB	Brass
Size	Part Name	Item #	Item #	Item #
1/2" x 3/4"	05X07C	☎	☎	62220107
1" x 3/4"	10X07C	☎	602200002	☎
1-1/4" x 1-1/2"	12X15C	☎	☎	62221215
1-1/2" x 1"	15X10C	60221510	602200001	62221510
1-1/2" x 2"	15X20C	60221520	602200016	62221520
2" x 1-1/2"	20X15C	60222015	602200017	62222015
2" x 2-1/2"	20X25C	60222025	602200018	62222025
2-1/2" x 1-1/2"	25X15C	60222515	☎	☎
2-1/2" x 2"	25X20C	60222520	602200019	
3" x 1"	30X10C	60223010	☎	☎
3" x 1-1/2"	30X15C	60223015*	☎	☎
3" x 2"	30X20C	60223020	602200020	62223020
3" x 2-1/2"	30X25C	60223025	602200021	62223025
3" x 4"	30X40C	60223040*	☎	☎
3" x 5"	30X50C	60223050	☎	☎
4" x 2"	40X20C	60224020	602200022	62224020
4" x 2-1/2"	40X25C	60224025*	☎	62224025
4" x 3"	40X30C	60224030	602200023	62224030
4" x 5"	40X50C	60224050	☎	☎
5" x 3"	50X30C	60225030*	☎	☎
5" x 4"	50X40C	60225040*	☎	☎
6" x 3"	60X30C	60226030	☎	☎
6" x 4"	60X40C	☎	60226040	☎
6" x 5"	60X50C	☎	60226050	☎
8" x 6"	80X60C	☎	60228060	☎
8" x 10"	80X100C	60228090*	☎	☎
10" x 8"	100X80C	60229080	☎	☎

Coupler X Hose Shank		Stainless Steel	Ductile Iron	Hard Coat Alum
Size	Part Name	Item #	Item #	Item #
3/4" x 1/2"	07X05C	64220705	☎	☎
3/4" x 1"	07X10C	64220710	☎	☎
1" x 3/4"	10X07C	64221007*	☎	☎
1" x 1-1/2"	10X15C	64221015	☎	☎
1-1/2" x 1"	15X10C	64221510	☎	70221510
1-1/2" x 2"	15X20C	64221520*	☎	☎
2" x 1"	20X10C	64222010*	☎	☎
2" x 1-1/2"	20X15C	64222015	☎	70222015
2" x 2-1/2"	20X25C	64222025*	☎	70222025
2-1/2" x 2"	25X20C	64222520*	☎	☎
3" x 2"	30X20C	64223020	68223020	70223020
3" x 2-1/2"	30X25C	64223025	☎	70223025
3" x 4"	30X40C	64223040*	☎	☎
4" x 2"	40X20C	64224020*	68224020	70224020
4" x 3"	40X30C	64224030	68224030	70224030
4" x 5"	40X50C	64224050*	☎	☎
6" x 4"	60X40C	64226040	☎	☎
6" x 5"	60X50C	64226050*	☎	☎
8" x 6"	80X60C	64228060*	☎	☎



Coupler X Female NPT Thread		Aluminum/HBS	Aluminum/HB	Brass
Size	Part Name	Item #	Item #	Item #
1-1/2" x 1"	15X10D	60201510	602000009	62201510
1-1/2" x 1-1/4"	15X12D	☎	☎	62201512
1-1/2" x 2"	15X20D	60201520	☎	☎
2" x 1"	20X10D	60202010*	☎	☎
2" x 1-1/2"	20X15D	60202015	602000010	62202015
2-1/2" x 1"	25X10D	60202510	602000011	☎
2-1/2" x 2"	25X20D	60202520	602000012	62202520
2-1/2" x 3"	25X30D	60202530	☎	☎
3" x 1"	30X10D	60203010*	☎	☎
3" x 2"	30X20D	60203020	602000013	62203020
3" x 2-1/2"	30X25D	60203025	602000014	62203025
3" x 4"	30X40D	60203040*	☎	☎
4" x 3"	40X30D	60204030	602000015	62204030
5" x 4"	50X40D	60205040*	☎	☎
8" x 6"	80X60D	☎	60208060	☎

Coupler X Female NPT Thread		Stainless Steel	Ductile	Hard Coat Alum
Size	Part Name	Item #	Item #	Item #
1-1/2" x 1"	15X10D	64201510	☎	70201510
1-1/2" x 1-1/4"	15X12D	64201512	☎	☎
2" x 1-1/2"	20X15D	64202015	☎	70202015
2-1/2" x 2"	25X20D	64202520*	☎	☎
3" x 2"	30X20D	64203020	68203020	70203020
3" x 2-1/2"	30X25D	64203025	☎	70203025
3" x 4"	30X40D	64203040*	☎	☎
4" x 3"	40X30D	64204030	68204030	70204030
5" x 4"	50X40D	64205040*	☎	☎

Adapter X Hose Shank		Aluminum	Brass	Stainless Steel	Hard Coat Alum
Size	Part Name	Item #	Item #	Item #	Item #
1" x 1/2"	10X05E	☎	☎	64241005*	☎
1" x 3/4"	10X07E	60241007	☎	☎	☎
1" x 1-1/2"	10X15E	☎	☎	64241015	☎
1-1/2" x 1"	15X10E	60241510	☎	☎	☎
2" x 1"	20X10E	60242010*	☎	☎	☎
2" x 1-1/2"	20X15E	60242015	62242015	64242015*	70242015
2" x 2-1/2"	20X25E	60242025	62242025	64242025*	☎
3" x 2"	30X20E	60243020	62243020	64243020	70243020
3" x 2-1/2"	30X25E	60243025	62243025	64243025	☎
4" x 3"	40X30E	60244030	62244030	64244030	70244030
4" x 5"	40X50E	60244050	☎	☎	☎
5" x 4"	50X40E	60245040*	☎	☎	☎
6" x 4"	60X40E	60246040*	☎	64246040*	☎
6" x 5"	60X50E	60246050*	☎	☎	☎
8" x 6"	80X60E	60248060*	☎	☎	☎
10" x 8"	100X80E	60249080*	☎	☎	☎

D-COUPLER REDUCER
COUPLER X FEMALE
NPT THREAD
Made in the U.S.A.



HBS cam arms are made of 300 series Stainless Steel.

HB cam arms are made of Brass.

All Stainless Steel cam and groove fittings are 316 Stainless Steel with 300 series Stainless Steel components, unless otherwise noted.

Please call for special quote on components in 316 Stainless Steel.

All couplings are available with STA-LOK® II cam arms.

E-ADAPTER REDUCER
ADAPTER X HOSE
SHANK
Made in the U.S.A.



*Denotes parts are produced as a welded fabrication.



Reducer Cam & Groove - F-Adapter Reducer

F-ADAPTER REDUCER ADAPTER X MALE NPT THREAD

Made in the U.S.A.



All Stainless Steel cam and groove fittings are 316 Stainless Steel

PT Coupling maintains inventories at all of their branch warehouse locations.

*Denotes parts are produced as a welded fabrication.

Adapter X Male NPT Thread		Aluminum	Brass	Stainless Steel
Size	Part Name	Item #	Item #	Item #
1" x 3/4"	10X07F	☎	62161007	64341007
1" x 1-1/2"	10X15F	60161015	62161015	☎
1" x 2"	10X20F	60161020	62161020	64161020
1 1/4" x 1-1/2"	12X15F	60161215	☎	☎
1-1/2" x 1"	15X10F	60161510	62161510	64161510
1-1/2" x 1-1/4"	15X12F	☎	62161512	64161512
1-1/2" x 2"	15X20F	60161520	62161520	64161520
2" x 1"	20X10F	☎	☎	64162010*
2" x 1-1/2"	20X15F	60162015	62162015	64162015
2" x 2-1/2"	20X25F	60162025	☎	64162025*
2" x 3"	20X30F	60162030	62162030	64162030
2-1/2" x 3"	25X30F	60162530	62162530	64162530*
2-1/2" x 4"	25X40F	☎	62162540	☎
3" x 1-1/2"	30X15F	60163015	62163015	64163015
3" x 2"	30X20F	60163020	62163020	64163020
3" x 2-1/2"	30X25F	60163025	62163025	64163025*
3" x 4"	30X40F	60163040	62163040	64163040
4" x 2"	40X20F	60164020	62164020	64164020*
4" x 2-1/2"	40X25F	60164025	62164025	☎
4" x 3"	40X30F	60164030	62164030	64164030
5" x 4"	50X40F	60165040	62165040	☎

Adapter X Male NPT Thread		Ductile Iron	Hard Coat Alum
Size	Part Name	Item #	Item #
1-1/2"x 2"	15X20F	68161520	70161520
2" x 1-1/2"	20X15F	68162015	70162015
2" x 3"	20X30F	68162030	70162030
2-1/2 x 3"	25X30F	☎	70162530
3" x 1-1/2"	30X15F	☎	70163015
3" x 2"	30X20F	68163020	70163020
3"x 2-1/2"	30X25F	☎	70163025
3" x 4"	30X40F	☎	70163040
4" x 3"	40X30F	68164030	70164030



Coupler X Adapter		Aluminum/HBS	Aluminum/HB	Brass/HBS	Brass/HB
Size	Part Name	Item #	Item #	Item #	Item #
2"x3"	20CX30A SHORT	☎	☎	☎	☎
3"x 1"	30CX10A SHORT	60263010	☎	☎	☎
3" x 2"	30CX20A SHORT	60263020	6026000033	6226000097	62263020
3" x 2-1/2"	30CX25A SHORT	☎	☎	☎	☎
4" x 2"	40CX20A SHORT	60264020	6026000036	☎	62264020
4" x 3"	40CX30A SHORT	60264030	6026000038	6226000098	62264030
5" x 3"	50CX30A SHORT	60265030*	☎	☎	☎
6"x 2"	60CX20A SHORT	60266020*	☎	☎	☎
6" x 3"	60CX30A SHORT	602660301	60266030	☎	62266030
6" x 4"	60CX40A SHORT	602660402	60266040	☎	62266040
8"x 6"	80CX60A SHORT	60268060*	☎	☎	☎
8" x 10"	80CX100A SHORT	60268090*	☎	☎	☎
10" x 8"	100CX80A SHORT	☎	60269080*	☎	☎
Coupler X Adapter		Stainless Steel	Ductile Iron	Hard Coat Alum	
Size	Part Name	Item #	Item #	Item #	
2"x1"	20CX10A SHORT	64262010*	☎	☎	
3"x 1"	30CX10A SHORT	64263010*	☎	☎	
3" x 1-1/2"	30CX15A SHORT	64263015*	☎	☎	
3" x 2-1/2"	30CX25A SHORT	64263025*	☎	☎	
4" x 2"	40CX20A SHORT	64264020	68264020	70264020	
4" x 2-1/2"	40CX25A SHORT	64264025	☎	☎	

CXA SHORT REDUCER COUPLER X ADAPTER

Made in the U.S.A.



HBS cam arms are made of 300 series Stainless Steel.

HB cam arms are made of Brass.

All Stainless Steel cam and groove fittings are 316 Stainless Steel with 300 series Stainless Steel components, unless otherwise noted.

Please call for special quote on components in 316 Stainless Steel.

All couplings are available with STA-LOK® II cam arms.

*Denotes parts are produced as welded fabrication

Reducer Cam & Groove - CXA Short Reducer - Pressure Safe

		Aluminum	Brass
Size	Part Name	Item #	Item #
2"	20APS Adapter	100012077	☎
3"	30APS Adapter	100013077	12001301
4"	40APS Adapter	11001401	☎

		Aluminum
Size	Part Name	Item #
2"	20CPS Coupler	100032077
3"	30CPS Coupler	100033077
4"	40CPS Coupler	10003404

		Aluminum
Size	Part Name	Item #
2"	20DPS Coupler	100042077
3"	30DPS Coupler	100043077

		Aluminum
Size	Part Name	Item #
2"	20VPS Coupler	100112077
3"	30VPS Coupler	100113077

		Aluminum
Size	Part Name	Item #
2"	20WPS Adapter	100122077
3"	30WPS Adapter	100123077

What is Pressure Safe?

A passive safety feature that protects the operator from personal injury in the event the quick release cam arms are opened under pressure. Pressure safe features can be added to any 2", 3", or 4" coupler and adapter by special quote.





CXA LONG REDUCER COUPLER X ADAPTER

Made in the U.S.A.



All couplings are available with STA-LOK® II cam arms. See pages 24-25.

HBS cam arms are made of 300 series Stainless Steel.

HB cam arms are made of Brass.

All Stainless Steel cam and groove fittings are 316 Stainless Steel with 300 series Stainless Steel components, unless otherwise noted.

Please call for special quote on components in 316 Stainless Steel.

*Denotes parts are produced as a welded fabrication.

Coupler X Adapter		Aluminum/HBS	Aluminum/HB	Brass/HBS
Size	Part Name	Item #	Item #	Item #
1" x 3/4"	10CX07A LONG	60261007*	☎	☎
1" x 1-1/2"	10CX15A LONG	60261015	6026000024	☎
1-1/4" x 1-1/2"	12CX15A LONG	60261215	6026000046	☎
1-1/4" x 2"	12CX20A LONG	60261220*	☎	☎
1-1/2" x 1"	15CX10A LONG	60261510	6026000025	☎
1-1/2" x 1-1/4"	15CX12A LONG	60261512*	6026000045*	☎
1-1/2" x 2"	15CX20A LONG	60261520	6026000026	☎
1-1/2" x 2-1/2"	15CX25A LONG	60261525*	☎	☎
1-1/2" x 3"	15CX30A LONG	60261530	☎	☎
1-1/2" x 4"	15CX40A LONG	60261540*	☎	☎
2" x 3/4"	20CX07A LONG	60262007	☎	☎
2" x 1"	20CX10A LONG	60262010	6026000042	☎
2" x 1-1/4"	20CX12A LONG	60262012	☎	☎
2" x 1-1/2"	20CX15A LONG	60262015	6026000027	6226000094
2" x 2-1/2"	20CX25A LONG	60262025*	☎	☎
2" x 3"	20CX30A LONG	60262030	6026000028	6226000095
2" x 4"	20CX40A LONG	60262040	6026000029	62262040
2-1/2" x 2"	25CX20A LONG	60262520	6026000030	☎
2-1/2" x 2-1/2"	25CX25A LONG	60262525	☎	☎
2-1/2" x 3"	25CX30A LONG	60262530*	☎	☎
2-1/2" x 4"	25CX40A LONG	60262540	6026000031	6226000096
3" x 1-1/2"	30CX15A LONG	60263015	6026000032	☎
3" x 2"	30CX20A LONG	60263020G	☎	6226000093
3" x 2-1/2"	30CX25A LONG	60263025	6026000034	☎
3" x 4"	30CX40A LONG	60263040	6026000035	☎
3" x 5"	30CX50A LONG	60263050	☎	☎
3" x 6"	30CX60A LONG	60263060*	☎	☎
4" x 1-1/2"	40CX15A LONG	60264015	☎	☎
4" x 2"	40CX20A LONG	60264020G	☎	☎
4" x 2-1/2"	40CX25A LONG	60264025	6026000037	☎
4" x 3"	40CX30A LONG	☎	60264030G	☎
4" x 4"	40CX40A LONG	60264040	☎	☎
4" x 5"	40CX50A LONG	60264050	6026000039	☎
4" x 6"	40CX60A LONG	60264060	6026000040	62264060
5" x 4"	50CX40A LONG	60265040	6026000041	☎
5" X 6"	50CX60A LONG	60265060*	☎	☎
6" x 2"	60CX20A LONG	☎	☎	☎
6" x 3"	60CX30A LONG	☎	60266030G*	☎
6" x 4"	60CX40A LONG	☎	60266040G	☎
6" x 5"	60CX50A LONG	☎	60266050*	☎
6" x 8"	60CX80A LONG	60266080*	☎	☎
8" x 4"	80CX40A LONG	60268040*	☎	☎
8" x 6"	80CX60A LONG	60268060G*	☎	☎
12" x 6"	120CX60A LONG	☎	60269260	☎



Coupler x Adapter		Brass/HB	Stainless Steel	Ductile	Hard Coat Alum
Size	Part Name	Item #	Item #	Item #	Item #
3/4" X 2"	07CX20A LONG	☎	64260720	☎	☎
1" x 3/4"	10CX07A LONG	☎	64261007*	☎	☎
1" x 1-1/2"	10CX15A LONG	62261015	64261015*	☎	70261015
1" x 2"	10CX20A LONG	☎	64261020*	☎	☎
1" x 3"	10CX30A LONG	☎	64261030*	☎	☎
1-1/2" X 1"	15CX10A LONG	62261510	64261510	☎	☎
1-1/2" x 2"	15CX20A LONG	62261520	64261520	☎	70261520
1-1/2" x 3"	15CX30A LONG	☎	64261530*	☎	☎
1-1/2" x 4"	15CX40A LONG	62261540	☎	☎	☎
2" x 3/4"	20CX07A LONG	☎	64262007*	☎	☎
2" x 1"	20CX10A LONG	62262010	☎	☎	70262010
2" x 1-1/4"	20CX12A LONG	☎	64262012	☎	☎
2" x 1-1/2"	20CX15A LONG	62262015	64262015	68262015	70262015
2" x 2"	20CX20A LONG	☎	64262020*	☎	☎
2" x 2-1/2"	20CX25A LONG	☎	64262025*	☎	☎
2" x 3"	20CX30A LONG	62262030	64262030	68262030	70262030
2" x 4"	20CX40A LONG	☎	64262040*	☎	70262040
2-1/2" x 2"	25CX20A LONG	62262520	64262520*	☎	☎
2-1/2" x 3"	25CX30A LONG	☎	64262530*	☎	☎
2-1/2" x 4"	25CX40A LONG	62262540	64262540*	☎	☎
3" x 1"	30CX10A LONG	☎	64263010*	☎	☎
3" x 1-1/2"	30CX15A LONG	62263015	☎	68263015	70263015
3" x 2"	30CX20A LONG	62263020G	64263020	68263020	70263020
3" x 2-1/2"	30CX25A LONG	62263025	☎	☎	70263025
3" x 4"	30CX40A LONG	62263040	64263040	68263040	70263040
3" x 6"	30CX60A LONG	☎	☎	☎	☎
4" x 2-1/2"	40CX25A LONG	62264025	☎	68264025	☎
4" x 3"	40CX30A LONG	62264030G	64264030	68264030	70264030
4" x 5"	40CX50A LONG	62264050	64264050*	68264050	70264050
4" x 6"	40CX60A LONG	☎	64264060*	68264060	70264060
5" x 4"	50CX40A LONG	62265040	64265040	68265040	70265040
5" X 6"	50CX60A LONG	☎	64265060*	☎	☎
6" x 1-1/2"	60CX15A LONG	☎	☎	68266015	☎
6" x 2"	60CX20A LONG	☎	64266020*	☎	☎
6" x 3"	60CX30A LONG	☎	64266030*	68266030	70266030
6" x 4"	60CX40A LONG	☎	64266040	68266040	70266040
6" x 5"	60CX50A LONG	☎	64266050	☎	☎
8" x 4"	80CX40A LONG	☎	64268040*	☎	☎
8" x 6"	80CX60A LONG	☎	64268060*	☎	☎

**CXA LONG REDUCER
COUPLER X ADAPTER**
Made in the U.S.A.



All couplings are available with STA-LOK® II cam arms. See pages 24-25.

HBS cam arms are made of 300 series Stainless Steel.

HB cam arms are made of Brass.

All Stainless Steel cam and groove fittings are 316 Stainless Steel with 300 series Stainless Steel components, unless otherwise noted.

Please call for special quote on components in 316 Stainless Steel.

*Denotes parts are produced as a welded fabrication.

Reducer Cam & Groove - CXA Long Reducer



CXC COUPLER X COUPLER

Made in the U.S.A.



All couplings are available with STA-LOK® II cam arms. See pages 24-25.

HBS cam arms are made of 300 series Stainless Steel.

HB cam arms are made of Brass.

All Stainless Steel cam and groove fittings are 316 Stainless Steel with 300 series Stainless Steel components, unless otherwise noted.

Please call for special quote on components in 316 Stainless Steel.



PT Coupling maintains inventories at all of their branch warehouse locations.

Coupler X Coupler		Aluminum/HBS	Aluminum/HB	Brass/HB
Size	Part Name	Item #	Item #	Item #
1" x 1"	10CX10C	60271010	6027000048	62271010
1-1/4" x 1-1/4"	12CX12C	60271212	6027000049	☎
1-1/2" x 1-1/2"	15CX15C	60271515	6027000042	62271515
2" x 1-1/2"	20CX15C	60272015*	☎	☎
2" x 2"	20CX20C	60272020	6027000043	62272020
2-1/2" x 2"	25CX20C	60272520*	☎	☎
2-1/2" x 2-1/2"	25CX25C	60272525	6027000050	62272525
3" x 2"	30CX20C	60273020	6027000044	62273020
3" x 2-1/2"	30CX25C	60272530	☎	☎
3" x 3"	30CX30C	60273030	6027000045	62273030
4" x 2"	40CX20C	60274020	☎	☎
4" x 3"	40CX30C	60274030	6027000046	62274030
4" x 4"	40CX40C	60274040	6027000047	62274040
5" x 4"	50CX40C	60275040*	☎	☎
5" x 5"	50CX50C	60275050*	☎	☎
6" x 2"	60CX20C	60276020*	☎	☎
6" x 4"	60CX40C	60276040*	☎	☎
6" x 5"	60CX50C	60276050*	☎	☎
8" x 4"	80CX40C	60278040*	☎	☎
8" x 6"	80CX60C	60278060	☎	☎
8" x 8"	80CX80C	60278080	☎	☎
Coupler X Coupler		Brass/HBS	Stainless Steel	Hard Coat Alum
Size	Part Name	Item #	Item #	Item #
1" x 1"	10CX10C	☎	64271010	☎
1-1/4" x 1-1/4"	12CX20C	☎	64271220*	☎
1-1/2" x 1-1/2"	15CX15C	☎	64271515	70271515
2" x 1-1/2"	20CX15C	☎	64272015*	☎
2" x 2"	20CX20C	☎	64272020	70272020
2-1/2" x 2-1/2"	25CX25C	☎	64272525*	☎
2-1/2" x 3"	25CX30C	☎	64272530*	☎
3" x 2"	30CX20C	☎	64273020	70273020
3" x 3"	30CX30C	6227000099	64273030	70273030
4" x 2"	40CX20C	☎	64274020	☎
4" x 3"	40CX30C	☎	64273040	70274030
4" x 4"	40CX40C	☎	64274040	70274040
5" x 4"	50CX40C	☎	64275040*	☎
3" x 4"	30CX40C	☎	64273040	70274030

*Denotes parts are produced as welded fabrication.



Adapter X Adapter		Aluminum	Brass	Stainless Steel	Ductile Iron	Hard Coat Alum
Size	Part Name	Item #	Item #	Item #	Item #	Item #
1/2" x 1/2"	SAE05XE05	60280101	62280101	64280101	☎	☎
3/4" x 3/4"	SA07X07	60280707	62280707	64280707	☎	70280707
1" x 3/4"	SA10X07	60281007	62281007	☎	☎	☎
1" x 1"	SA10X10	60281010	62281010	64281010	68281010	70281010
1" x 1 1/2"	SA10X15	60281015	62281015	64281015*	☎	70281015
1" x 2"	SA10X20	☎	62281020	64281020*	☎	☎
1" x 3"	SA10X30	☎	62281030	☎	☎	☎
1-1/4" x 1-1/4"	SA12X12	60281212	62281212	64281212	☎	70281212
1-1/4" x 1-1/2"	SA12X15	60281215	62281215	64281215	☎	☎
1-1/2" x 1-1/2"	SA15X15	60281515	62281515	64281515	68281515	70281515
1-1/2" x 2"	SA15X20	60281520	62281520	64281520	68281520	70281520
1-1/2" x 4"	SA15X40	60281540	62281540	☎	☎	☎
2" x 3/4"	SA20X07	60282007	☎	☎	☎	☎
2" x 2"	SA20X20	60282020	62282020	64282020	68282020	70282020
2" x 2-1/2"	SA20X25	60282025	62282025	☎	☎	70282025
2" x 3"	SA20X30	60282030	62282030	64282030	68282030	70282030
2-1/2" x 2"	SA25X20	☎	☎	64282520*	☎	☎
2-1/2" x 2-1/2"	SA25X25	60282525	62282525	64282525	68282525	☎
2-1/2" x 3"	SA25X30	60282530	62282530	64282530	68282530	70282530
3" x 1-1/2"	SA30X15	60283015	62283015	64283015*	☎	70283015
3" x 3"	SA30X30	60283030	62283030	64283030	68283030	70283030
3" x 4"	SA30X40	60283040	62283040	64283040	68283040	70283040
4" x 2"	SA40X20	60284020	62284020	64284020	☎	70284020
4" x 4"	SA40X40	60284040	62284040	64284040	68284040	70284040
5" x 4"	SA50X40	60285040	☎	64285040*	68285040	☎
5" x 5"	SA50X50	60285050	62285050	64285050	68285050	☎
6" x 3"	SA60X30	60286030	☎	64286030*	☎	70286030
6" x 4"	SA60X40	60286040	62286040	64284060*	68286040	70286040
6" x 5"	SA60X50	60286050*	☎	☎	☎	☎
6" x 6"	SA60X60	60286060	62286060	64286060*	☎	70286060
6" x 8"	SA60X80	60286080*	☎	☎	☎	☎
8" x 4"	SA80X40	60288040*	☎	☎	☎	☎
10" x 6"	SA100X60	60289060*	☎	☎	☎	☎
10" x 8"	SA100X80	60289080*	☎	☎	☎	☎

SA SPOOL ADAPTER ADAPTER X ADAPTER

Made in the U.S.A.



All Stainless Steel cam and groove fittings are 316 Stainless Steel.

PT Coupling maintains inventories at all of their branch warehouse locations

*Denotes parts are produced as welded fabrication.



Reducer Cam & Groove - SA Spool Adapter



CXAY COUPLER X ADAPTERS

Made in the U.S.A.



6" Heavy Duty fittings are rated at 150 psi.

		Aluminum	Brass	Stainless Steel	Hard Coat Alum
Size	Part Name	Item #	Item #	Item #	Item #
2"	20CX20AY	60592020	62592020	64592020	70592020
3" x 2"	30CX20AY	☎	☎	64593020*	☎
3"	30CX30AY	☎	☎	64593030*	☎
4"	40CX40AY	60594040*	☎	☎	☎
6"	60CX60AYHD	60596060	☎	☎	☎
6" x 6" x 4"	60CX60AX40AYHD	60596064	☎	☎	☎

AXCY ADAPTER X COUPLERS

Made in the U.S.A.



6" Heavy Duty fittings are rated at 150 psi.

		Aluminum	Brass
Size	Part Name	Item #	Item #
2"	20AX20CY	60312020	62312020
4"	40AX40CY	60594140	☎
6" x 4"	60AX40CYHD	60596041	☎
6"	60AX60CYHD	60596061	☎

Tank Truck fittings available on page 77

Special Cam & Groove - Y and T Fittings

36

PF40X60AY 4" ADAPTERS X 6" PIPE FLANGE

Made in the U.S.A.



		Aluminum/Clear Anodized
Size	Part Name	Item #
4" x 6"	PF40X60AY	60546040Y

60AXPF40YHD 6" ADAPTER X 4" PIPE FLANGES HEAVY DUTY

Made in the U.S.A.

		Aluminum
Size	Part Name	Item #
6" x 4"	60AXPF40YHD	60596042

Pipe Flange bolt pattern conforms to ANSI B16.5 Class 150.



40 SGY SINGLE GROOVE Y

Made in the U.S.A.

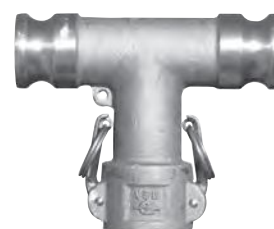


		Aluminum/Clear Anodized
Size	Part Name	Item #
4"	40SGY	60594142DG

15AX15AX15CT ADAPTERS X T COUPLER

Made in the U.S.A.

		Aluminum
Size	Part Name	Item #
1-1/2"	15AX15AX15CT	60591515





CONQUER CORROSION WITH PT CORROSION RESISTANT PRODUCTS:

Adapter X Female NPT Thread		Hastelloy®	Carpenter 20®	Monel®	Tantaline
Size	Part Name	Item #	Item #	Item #	Item #
1/2"	E05A	2600101	☎	2200101	☎
3/4" x 1/2"	1/2A	☎	☎	2200105	☎
3/4"	07A	2600107	2500107	2200107	☎
1"	10A	2600110	2500110	2200110	3500110
1-1/4"	12A	2600112	☎	2200112	☎
1-1/2"	15A	2600115	2500115	2200115	3500115
2"	20A	2600120	2500120	2200120	3500120
2-1/2"	25A	☎	☎	2200125	☎
3"	30A	2600130	2500130	2200130	3500130
4"	40A	2600140	2500140	2200140	☎
5"	50A	☎	☎	2200150	☎
6"	60A	2600160	☎	2200160	☎

Coupler X Male NPT Thread		Hastelloy®	Carpenter 20®	Monel®	Tantaline
Size	Part Name	Item #	Item #	Item #	Item #
1/2"	E05B	2600201	☎	2200201	☎
3/4" x 1/2"	1/2B	2600205	☎	2200205	☎
3/4"	07B	2600207	☎	2200207	☎
1"	10B	2600210	2500210	2200210	3500210
1-1/4"	12B	☎	☎	2200212	☎
1-1/2"	15B	2600215	2500215	2200215	3500215
2"	20B	2600220	2500220	2200220	3500220
2-1/2"	25B	☎	☎	2200225	☎
3"	30B	2600230	2500230	2200230	3500230
4"	40B	2600240	2500240	2200240	☎
5"	50B	☎	☎	2200250	☎

Coupler X Hose Shank		Hastelloy®	Carpenter 20®	Monel®	Tantaline
Size	Part Name	Item #	Item #	Item #	Item #
1/2"	E05C	☎	☎	2200301	☎
3/4" x 1/2"	1/2C	2600305	☎	☎	☎
3/4"	07C	2600307	2500307	2200307	☎
1"	10C	2600310	2500310	2200310	3500310
1-1/4"	12C	2600312	☎	2200312	☎
1-1/2"	15C	2600315	2500315	2200315	3500315
2"	20C	2600320	2500320	2200320	3500320
2-1/2"	25C	2600325	☎	2200325	☎
3"	30C	2600330	2500330	2200330	3500330
4"	40C	2600340	2500340	2200340	☎
5"	50C	☎	☎	2200350	☎
6"	60C	☎	☎	2200360	☎

A - ADAPTER
ADAPTER X FEMALE
NPT THREAD
Made in the U.S.A.



**Now available with BSP
Threads.**

B - COUPLER
COUPLER X MALE
NPT THREAD
Made in the U.S.A.



**Now available with BSP
Threads.**

C - COUPLER
COUPLER X HOSE
SHANK
Made in the U.S.A.



Standard cam arms, rings & pins are Stainless Steel.

Special Cam & Groove - Corrosion Resistant Fittings

These corrosion resistant cam & groove couplings are designed for acid applications in highly corrosive media including hydrochloric acid and sulfuric acid.

FOR SAFE APPLICATION OF THESE PRODUCTS: Please refer to PT Coupling's Operating Conditions: Pgs. 158-160

All registered trademarks are the property of their respective owners.



D - COUPLER COUPLER X FEMALE NPT THREAD

Made in the U.S.A.



**Now available with BSP
Threads.**

		Hastelloy®	Carpenter 20®	Monel®	Tantaline®
Size	Part Name	Item #	Item #	Item #	Item #
1/2"	E05D	2600401	2500401	2200401	☎
3/4" x 1/2"	1/2D	☎	☎	2200405	☎
3/4"	07D	2600407	2500407	2200407	☎
1"	10D	2600410	2500410	2200410	3500410
1-1/4"	12D	2600412	☎	2200412	☎
1-1/2"	15D	2600415	2500415	2200415	3500415
2"	20D	2600420	2500420	2200420	3500420
2-1/2"	25D	☎	☎	2200425	☎
3"	30D	2600430	2500430	2200430	3500430
4"	40D	2600440	2500440	2200440	☎
5"	50D	☎	☎	2200450	☎
6"	60D	☎	☎	2200460	☎

E-ADAPTER ADAPTER X HOSE SHANK

Made in the U.S.A.



		Hastelloy®	Carpenter 20®	Monel®	Tantaline®
Size	Part Name	Item #	Item #	Item #	Item #
1/2"	E05E	☎	☎	2200501	☎
3/4"	07E	☎	2500507	2200507	☎
1"	10E	2600510	2500510	2200510	3500510
1-1/4"	12E	☎	☎	2200512	☎
1-1/2"	15E	2600515	2500515	2200515	3500515
2"	20E	2600520	2500520	2200520	3500520
2-1/2"	25E	☎	☎	2200525	☎
3"	30E	2600530	2500530	2200530	3500530
4"	40E	2600540	2500540	2200540	☎
5"	50E	☎	☎	2200550	☎
6"	60E	☎	☎	2200560	☎

F-ADAPTER ADAPTER X MALE NPT THREAD

Made in the U.S.A.



**Now available with BSP
Threads.**

		Hastelloy®	Carpenter 20®	Monel®	Tantaline®
Size	Part Name	Item #	Item #	Item #	Item #
1/2"	E05F	☎	☎	2200601	☎
3/4" x 1/2"	1/2F	2600605	☎	2200605	☎
3/4"	07F	2600607	2500607	2200607	☎
1"	10F	2600610	2500610	2200610	3500610
1-1/4"	12F	☎	☎	2200612	☎
1-1/2"	15F	2600615	2500615	2200615	3500615
2"	20F	2600620	2500620	2200620	3500620
2-1/2"	25F	2600625	☎	2200625	☎
3"	30F	2600630	2500630	2200630	☎
4"	40F	2600640	2500640	2200640	☎
5"	50F	☎	☎	2200650	☎
6"	60F	☎	☎	2200660	☎

All registered Trademarks are the property of their respective owners.



		Hastelloy C®	Carpenter 20®	Monel®	Tantaline®
Size	Part Name	Item #	Item #	Item #	Item #
1/2"	E05V	2601101	☎	2201101	☎
3/4"	07V	2601107	2501107	2201107	☎
1"	10V	2601110	2501110	2201110	☎
1-1/4"	12V	☎	☎	2201112	☎
1-1/2"	15V	2601115	2501115	2201115	3501115
2"	20V	2601120	☎	2201120	3501120
2-1/2"	25V	2601125	☎	2201125	☎
3"	30V	2601130	2501130	2201130	☎
4"	40V	2601140	2501140	2201140	☎
5"	50V		☎	2201150	☎
6"	60V	2601160	2501160	2201160	☎

		Hastelloy C®	Carpenter 20®	Monel®	Tantaline®
Size	Part Name	Item #	Item #	Item #	Item #
1/2"	E05W	☎	☎	2201201	☎
3/4"	07W	2601207	2501207	2201207	☎
1"	10W	2601210	2501210	2201210	☎
1-1/4"	12W	☎	☎	2201212	☎
1-1/2"	15W	☎	☎	2201215	☎
2"	20W	2601220	2501220	2201220	3501220
2-1/2"	25W	☎	☎	2201225	☎
3"	30W	2601230	2501230	2201230	☎
4"	40W	2601240	☎	2201240	☎
5"	50W	☎	☎	2201250	☎
6"	60W	☎	☎	2201260	☎

		Monel®	Hastelloy C®	Tantaline®
Size	Part Name	Item #	Item #	Item #
1"	PF10C	☎	76541000	☎
1-1/4"	PF12C	☎	☎	☎
1-1/2"	PF15C	☎	76541500	☎
2"	PF20C	72542000*	76542000*	☎
2-1/2"	PF25C	☎	☎	☎
3"	PF30C	☎	76543000*	☎
4"	PF40C	72544000*	76544000RF	☎

* Parts have a raised face flange

All registered trademarks are the property of their respective owners.

		Hastelloy C®	Monel®	Tantaline®
Size	Part Name	Item #	Item #	Item #
3/4"	PF07A	66520700*	☎	☎
1"	PF10A	76521000*	☎	35521000
1-1/2"	PF15A	76521500*	☎	35515000
2"	PF20A	76522000*	72522000*	35522000
2-1/2"	PF25A	76522500*	☎	☎
3"	PF30A	76523000*	☎	35523000
4"	PF40A	76524000*	72524000*	☎

V-COUPLER DUST CAP
Made in the U.S.A.



W-ADAPTER DUST PLUG
Made in the U.S.A.



PFC COUPLER X PIPE FLANGE
150 lb Flange
Made in the U.S.A.



PFA ADAPTER X PIPE FLANGE
150 lb Flange
Made in the U.S.A.



Special Cam & Groove - Corrosion Resistant Fittings



PT z-COR is a revolutionary new coating system. Unlike single component coatings in the oil and gas industry, PT z-COR has been designed as a system of interdependent thin-film coatings working in concert to provide the ultimate protection for extreme environments. PT z-COR is the first holistic coating system designed to not only meet but exceed the needs of the oil and gas industry.

PT z-COR provides the highest level of base-metal corrosion protection on the market. The process used to coat the parts creates a superior bond that prevents chipping or peeling.

PT z-COR outlasts high density polyepoxide coatings with its abrasion and corrosion resistance. Unlike other products, PTz-COR provides 100% protection to the part against corrosion. This is achieved during the coating process when even the tiny threads and recesses are coated so that nothing is left vulnerable to chemical corrosion.

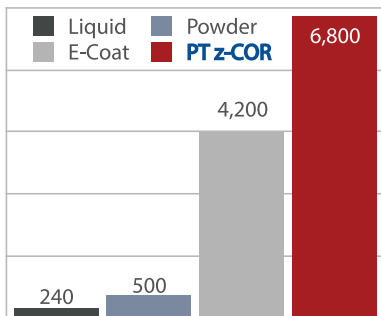
PT z-COR coating is available on many fittings. Call for more information and availability.

Special Cam & Groove - Corrosion Resistant Coating

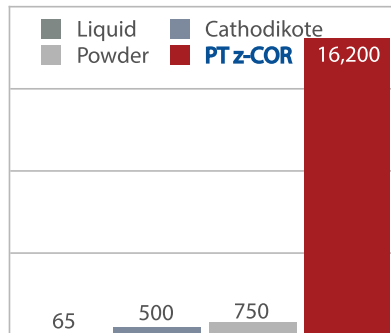
40

Advantages

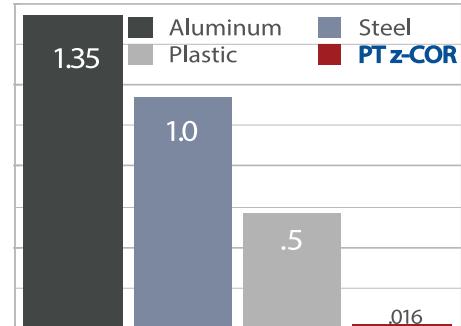
- Lowest coefficient of friction & highest abrasion resistance on the market
- Prevents galling of threads
- Lower energy usage on fluid handling systems
- Extreme chemical resistance including H₂S, HCl & carbonic acid
- Resistant to over 120 chemicals commonly found in the petroleum industry
- Coats aluminum, brass, stainless steel and ductile iron
- Heat resistant up to 600° F
- Increases the life of equipment & reduces downtime
- Eliminates the costs associated with frequent replacement



Corrosion Resistance (ASTM G85 Salt Water Acidification Test)



Abrasion Resistance (ASTM D4060)



*Two like surfaces, based on pressure. *Average Coefficient of Friction



NEW

PT z-COR Coating Properties:

Dry Film Thickness (Controllable +/- 0.1 Mils):	0.8 - 2.8 Mils	H ₂ O (10,000 PSI, 200° F):	No Effect
Max Operating Temp:	500° F	Abrasion Resistance (D4060):	16,200
Pencil Hardness:	6H	Direct Impact:	100 lbs
Coefficient of Friction:	0.016 - 0.08	Indirect Impact:	120 lbs
Tabor Abrasion (1000 Cycles):	7.3 mg lost	Gloss:	45-55
Tensile Strength:	3,000 - 4,000 PSI	Color:	Dark Grey
Salt Spray (ASTM B117):	4000 hours min	Cross-Hatch Adhesion:	5B
		Gravelometer:	6 Minimum



PT z-COR is resistant to the below chemicals:

Acetone	Creosol	Isopropyl Alcohol	Potassium Hydroxide
Acetic Acid	Diesel Fuel	Kerosene	Propyl Alcohol
Acetates (ALL)	Diethanolamine	Lactic Acid	Propylene Glycol
Amines (ALL)	Ethyl Acetate	Lauryl Acid	Salicylic Acid
Ammonia	Ethyl Alcohol	Magnesium	Salt Water
Ammonium Hydroxide	Ethyl Ether	Maleic Acid	Sodium Bisulfite
Amino Acids	Fructose	Menthol	Sodium Chloride
Benzene	Gasoline	Methanol	Sodium Hypochlorite 5%
Borax	Glucose	Methylene Chloride	Sodium Hydroxide <10%
Boric Acid	Glycol	Methyl Ethyl Ketone	Sodium Sulfate
Butyl Alcohol	Glycol Ether	Methyl Isobutyl Ketone	Stearic Acid
Butyl Cellosolve	H ₂ CO ₃	Mustard Gas	Sucrose
Butyric Acid	Hydrochloric Acid	Naphthol	Sulfuric Acid 25-28%
Calcium Chloride	Hydrofluoric Acid	Ozone	Sulfates (ALL)
Calcium Hypochlorite	Hydrogen Peroxide 5%	Perchloric Acid	Sulfides (ALL)
Carbon Tetrachloride	Hydrogen Sulfide	Phenol 85%	Sulfites (ALL)
Cetyl Alcohol	Hydrazine	Phosgene	Starch
Chlorides (ALL)	Hydroxylamine	Phenolphthalein	Toluene
Chlorine Gas	Iodine	Phosphoric Acid	Triethanolamine
Chromic Acid (NR)	Isobutyl Alcohol	Potassium Chloride	Xylene
Citric Acid	*100 Hour exposure time at ambient temperature with no effect.		

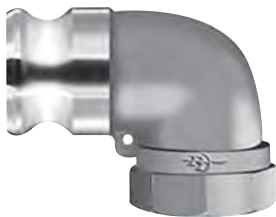
Special Cam & Groove - Corrosion Resistant Coating



Special Cam & Groove - 45 & 90 Degree Elbows

LA ADAPTER X FEMALE NPT THREAD 90 DEGREE

Made in the U.S.A.



**Denotes parts are produced as welded fabrication*

Also available with BSP Threads.

CAL COUPLER X ADAPTER 90 DEGREE

Made in the U.S.A.



All Stainless Steel castings are 316 Stainless Steel and all components are 300 series Stainless Steel.

HBS cam arms are made of 300 series Stainless Steel.

HB cam arms are made of Brass.

STA-LOK® II cam arms available upon request.

DDL COUPLER X COUPLER 90 DEGREE

Made in the U.S.A.



**Denotes parts are produced as welded fabrication*

Adapter X Female NPT Thread		Aluminum	Brass	Stainless Steel
Size	Part Name	Item #	Item #	Item #
1-1/4"	12LA	☎	62491200	☎
1-1/2"	15LA	60491500	62491500	☎
2"	20LA	60492000	☎	☎
3"	30LA	60493000	☎	64493000*

Adapter X Female NPT Thread		Hard Coat Alum	Polypropylene
Size	Part Name	Item #	Item #
1-1/2"	15LA	☎	67491500
2"	20LA	70492000	67492000
3"	30LA	70493000*	☎

Coupler X Adapter		Aluminum/HBS	Aluminum/HB	Brass
Size	Part Name	Item #	Item #	Item #
2"	20CAL	60502120	☎	62502120
3"	30CAL	60503130	6050000066	62503130
3"	30CAL-45 Deg	6050313045	6050313046	62503131
4"	40CAL	60504140	6050000068	62504140
4"	40CALHD	60504140H	☎	☎
4"	40CAL-45 Deg	60504145	60504147	62504141
6"	60CALHD-45 Deg	☎	60544261H	☎
6"	60CALHD	☎	60504161H	☎
8"	80CAL	☎	60504181H*	☎



CAL Heavy Duty

		Stainless Steel	Hard Coat Alum/HBS
Size	Part Name	Item #	Item #
2"	20CAL	64504120*	☎
3"	30CAL	64503130*	70503130
4" x 3"	40X30CAL	64504130*	☎
4"	40CAL	64504140	70504140
4"	40CAL-45 Deg	64504145	☎
5"	50CAL45	64505153	☎
5"	50CAL90	64505152*	☎
6"	60CALHD - 45 Deg	6454426H	☎



DDL Heavy Duty

Coupler X Coupler		Aluminum/HBS	Aluminum/HB	Brass	Stainless Steel	Hard Coat Alum/HBS
Size	Part Name	Item #	Item #	Item #	Item #	Item #
2"	20DDL - 90 Deg	60502220*	☎	☎	☎	☎
3"	30DDL - 90 Deg	60503230*	☎	☎	64503230	70503230*
4"	40DDL - 90 Deg	60504240	6050000069	62504240	64504240	70504240
4"	40DDL - 45 Deg	☎	☎	☎	☎	☎
4" x 3"	40X30DDL	☎	☎	☎	64504230	☎
5"	50DDL	☎	☎	☎	☎	☎
6" X 3"	60X30DDL	60506230*	☎	☎	64506260*	☎
6"	60DDLHD	60506260	☎	☎	☎	☎



Coupler X Hose Shank		Aluminum/HBS	Aluminum/HB	Brass	Brass / HBS
Size	Part Name	Item #	Item #	Item #	Item #
1"	10CL	60501000	6050000061	62501000	☎
1-1/4"	12CL	60501200	6050000062	62501200	☎
1-1/4" x 1-1/2"	12X15CL	☎	☎	62501215	☎
1-1/2"	15CL	60501500	6050000063	62501500	☎
2"	20CL	60502000	6050000064	62502000	6250000101
2-1/2"	25CL	☎	☎	62502500	☎
3"	30CL	60503000	6050000065	62503000	☎
4"	40CL	60504000	6050000067	62504000	☎
6"	60CL	☎	60506000	62506000	☎

Coupler X Hose Shank		Stainless Steel	Ductile Iron	Hard Coat Alum	Polypropylene
Size	Part Name	Item #	Item #	Item #	Item #
1"	10CL	64501000	☎	70501000C	☎
1-1/4"	12CL	64501200	☎	70501200	☎
1-1/2"	15CL	64501500	☎	70501500	67501500
2"	20CL	64502000	68502000	70502000	67502000
2-1/2"	25CL	☎	68502500	☎	☎
3"	30CL	64503000	68503000	70503000	☎
4"	40CL	64504000	68504000	70504000	☎
6"	60CL	64506000	☎	☎	☎

Coupler X Female NPT Thread		Aluminum/HBS	Aluminum/HB	Brass	Stainless Steel
Size	Part Name	Item #	Item #	Item #	Item #
1"	10LD	60481000	6048000062	62481000	64481000
1-1/4"	12LD	☎	☎	62481200	☎
1-1/2"	15LD	60481500	6048000063	62481500	64481500
2"	20LD	60482000	6048000005	62482000	64482000
2-1/2"	25LD	60482500	6048000103	62482500	☎
3"	30LD	60483000	6048000060	62483000	64483000
3" w/45°	30LD 45°	60483000SP	☎	☎	☎
4"	40LD	60484000	6048000061	62484000	64484000
6"	60LD	60486000	☎	62486000	64486000
10"	100LD	☎	☎	☎	64481090

Coupler X Female NPT Thread		Ductile Iron	Hard Coat Alum	Polypropylene
Size	Part Name	Item #	Item #	Item #
1"	10LD	☎	70481000	☎
1-1/4"	12LD	☎	☎	☎
1-1/2"	15LD	☎	70481500	67481500
2"	20LD	68482000	70482000	67482000
2-1/2"	25LD	68482500	☎	☎
3"	30LD	68483000	70483000	☎
4"	40LD	68484000	70484000	☎
6"	60LD	☎	☎	☎

CL COUPLER X HOSE SHANK 90 DEGREE

Made in the U.S.A.



All Stainless Steel castings are 316 Stainless Steel and all components are 300 series Stainless Steel.

HBS cam arms are made of 300 series Stainless Steel.

HB cam arms are made of Brass.

LD COUPLER X FEMALE NPT THREAD 90 DEGREE

Made in the U.S.A.

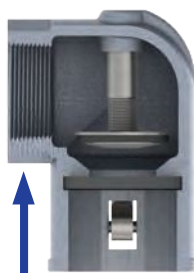


Also available with BSP Threads.

Special Cam & Groove - 90 Degree Elbows



**G-ELBOW
COUPLER WITH
CHECK VALVE**
FEMALE NPT THREAD X
COUPLER 90 degree
Made in the U.S.A.



Full Flow

Special Cam & Groove - 90 Degree Elbows

All Stainless Steel castings are 316 Stainless Steel and all components are 300 series Stainless Steel.

HBS cam arms are made of 300 series Stainless Steel.

HB cam arms are made of Brass.

Now available with BSP Threads.

REPLACEMENT CHECK VALVE ASSEMBLIES
CONTAINS ALL POPPET ASSEMBLY COMPONENTS AND SEALS

Made in the U.S.A.



Female NPT Thread X Coupler		Aluminum/HBS	Aluminum/HB	Brass/HB	Brass/HBS
Size	Part Name	Item #	Item #	Item #	Item #
1"	10G	1000710	1070710	1200710	☎
1-1/4"	12G	1000712	1070712	1200712	☎
1-1/2"	15G	1000715	1070715	1200715	1290715
2"	20G	1000720	1070720	1200720	☎
2-1/2"	25G	1000725	1070725	1200725	☎
3"	30G	1000730	1070730	1200730	☎
4"	40G	1000740	1070740	1200740	☎

Female NPT Thread X Coupler		Stainless Steel	Ductile Iron	Hard Coat Alum
Size	Part Name	Item #	Item #	Item #
1"	10G	1400710	1800710	☎
1-1/4"	12G	☎	☎	☎
1-1/2"	15G	1400715	1800715	☎
2"	20G	1400720	1800720	2000720
2-1/2"	25G	1400725	1800725	☎
3"	30G	1400730	1800730	2000730
4"	40G	1400740	1800740	☎

Less than 5 PSI required to start flow in the full flow direction.

Aluminum & Brass G-Elbows are assembled with Brass check valve assemblies.

Stainless Steel G-Elbows are assembled with stainless Steel check valve assemblies.

Buna N seals are standard in all G-Elbow assemblies other seal types are available by special request and quote.

		Brass	Stainless Steel
Size	Part Name	Item #	Item #
1"	10G POPPET ASSEMBLY	62880310	64880310
1-1/4"	12G POPPET ASSEMBLY	62880312	☎
1-1/2"	15G POPPET ASSEMBLY	62880315	64880315
2"	20G POPPET ASSEMBLY	62880320	64880320
2-1/2"	25G POPPET ASSEMBLY	62880325	64880325
3"	30G POPPET ASSEMBLY	62880330	64880330
4"	40G POPPET ASSEMBLY	62880340	64880340

Buna N seals are standard in all G-Elbow assemblies other seal types are available by special request and quote..



Female NPT Thread X Coupler		Aluminum/HBS	Aluminum/HB	Brass/HB	Brass/HBS
Size	Part Name	Item #	Item #	Item #	Item #
1"	10H	1000810	1070810	1200810	☎
1-1/4"	12H	1000812	1070812	1200812	☎
1-1/2"	15H	1000815	1070815	1200815	☎
2"	20H	1000820	1070820	1200820	1290820
2-1/2"	25H	1000825	1070825	1200825	1290825
3"	30H	1000830	1070830	1200830	1290830
4"	40H	1000840	1070840	1200840	1290840
5"	50H	1000850	1070850	1200850	☎
6"	60H	☎	1000860	1200860	☎

H-ELBOW COUPLER
FEMALE NPT THREAD X
COUPLER 90 degree
 Made in the U.S.A.



Female NPT Thread X Coupler		Stainless Steel	Ductile Iron	Hard Coat Alum
Size	Part Name	Item #	Item #	Item #
1"	10H	1400810	1800810	2000810
1-1/4"	12H	1400812	☎	☎
1-1/2"	15H	1400815	1800815	2000815
2"	20H	1400820	1800820	2000820
2-1/2"	25H	1400825	1800825	2000825
3"	30H	1400830	1800830	2000830
4"	40H	1400840	1800840	☎
5"	50H	1400850	1800850	☎
6"	60H	1400860	1800860	☎

All Stainless Steel castings are 316 Stainless Steel and all components are 300 series Stainless Steel.

HBS cam arms are made of 300 series Stainless Steel.

HB cam arms are made of Brass.

Now available with BSP Threads.

PT Coupling maintains inventories at all of their branch warehouse locations



AFH
ADAPTER X FEMALE
FIRE HOSE (NH)
THREAD
 Comes standard with
 EPDM NH Thread Gasket
 Made in the U.S.A.



All Stainless Steel castings are 316 Stainless Steel.

PT Coupling Company, has a state of the art engineering department to custom design fittings to fit your application

Adapter X Female NPT Thread		Aluminum	Brass	Stainless Steel
Size	Part Name	Item #	Item #	Item #
1-1/2"	15AFH	60371500	☎	64371500
2" x 2-1/2"	20X25AFH	60372025*	☎	☎
2-1/2"	25AFH	60372500	62372500	64372500
2-1/2" x 3"	25X30AFH	60372530	☎	☎
3"	30AFH	60373000	62373000	☎
3" x 2-1/2"	30X25AFH	60373025	62373025	☎
4"	40AFH	60374000	62374000NH	☎

Adapter X Female NPT Thread		Ductile Iron	Hard Coat Alum
Size	Part Name	Item #	Item #
1-1/2"	15AFH	☎	☎
2" x 2-1/2"	20X25AFH	☎	☎
2-1/2"	25AFH	☎	70372500
2-1/2" x 3"	25X30AFH	☎	☎
3"	30AFH	☎	☎
3" x 2-1/2"	30X25AFH	☎	70373025
4"	40AFH	☎	☎

BFH
COUPLER X MALE
FIRE HOSE (NH)
THREAD

Comes Standard with
 Buna N cam gasket
 Made in the U.S.A.



All Stainless Steel castings are 316 Stainless Steel and all components are 300 series Stainless Steel.

HBS cam arms are made of 300 series Stainless Steel.

HB cam arms are made of Brass.

Available with STA-LOK®II.

		Aluminum/HBS	Aluminum/HB	Brass	Hard Coat Alum
Size	Part Name	Item #	Item #	Item #	Item #
2-1/2"	25BFH	60382500	6038000053	62382500	70382500
3"	30BFH	60383000	6038000054	☎	70383000
3" x 2-1/2"	30X25BFH	60383025	6038000055	☎	70383025
4"	40BFH	60384000	☎	☎	☎

Replacement Cam Gaskets sold on page 66.

PCTF CAP
PACIFIC COAST
THREAD BRASS CAP

With white Nitrile gasket
 and Brass chain
 Made in the U.S.A.

Size	Part Name	Item #	Description
3"	30PCTF	5880086	BRASS CAP W/CHAIN

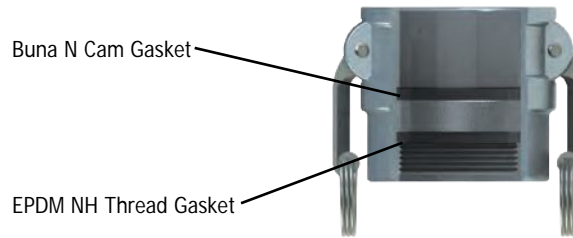
3" PCTF Brass Cap is compatible with 3" Fire Hose NH Thread.





Coupler X Female Hose Thread		Aluminum/HBS	Aluminum/HB	Brass	Hard Coat Alum
Size	Part Name	Item #	Item #	Item #	Item #
1-1/2"	15DFH	60391500	6039000056	☎	70391500
2-1/2"	25DFH	60392500	6039000057	62392500	70392500
3"	30DFH	60393000	6039000058	62393000	70393000
3" x 2-1/2"	30X25DFH	60393025	6039000059	62393025	70393025

EPDM NH Thread replacement gaskets sold below.



DFH
COUPLER X FEMALE
FIRE HOSE (NH) THREAD
 Comes standard with EPDM
 NH Thread Gasket and
 Buna N cam gasket.

Made in the U.S.A.



HBS cam arms are made of 300 series Stainless Steel.

HB cam arms are made of Brass.

Also available with STA-LOK®II.

Special Cam & Groove - Fire Hose Threads

Gaskets for Female Fire Hose (NH) Thread			
Size	Part Name	Item #	Description
1-1/2"	15FHY	5504715	FIRE HOSE GASKET EPDM
2-1/2"	25FHY	5504725	FIRE HOSE GASKET EPDM
3"	30FHY	5504730	FIRE HOSE GASKET EPDM
4"	40FHY	5504740	FIRE HOSE GASKET EPDM



Replacement Cam Gaskets sold on page 66.

Adapter X Male NPT Thread		Aluminum	Brass	Hard Coat Alum
Size	Part Name	Item #	Item #	Item #
1-1/2"	15FFH	60401500	62401500	70401500
2-1/2"	25FFH	60402500	62402500	70402500
3"	30FFH	60403000	62403000	☎
3" x 2-1/2"	30X25FFH	60403025	☎	70403025
4" x 2-1/2"	40X25FFH	☎	62404025	☎

FFH
ADAPTER X MALE
FIRE HOSE (NH)
THREAD

Made in the U.S.A.



PT Coupling maintains inventories at all of their branch warehouse locations



**AS
ADAPTER X FEMALE
STRAIGHT PIPE THREAD**

Comes standard with a Buna Fuel Resistant straight thread gasket.

Made in the U.S.A.



Female straight pipe threads are compatible with male NPSH, NPSM and NPT threads.

**DS
COUPLER X FEMALE
STRAIGHT PIPE THREAD**

Comes standard with a Buna Fuel Resistant straight thread gasket and Buna N cam gasket.

Made in the U.S.A.



HBS cam arms are made of 300 series Stainless Steel.

HB cam arms are made of Brass.

Also available in STA-LOK® and STA-LOK® II.

Adapter X Female Straight Thread		Aluminum	Brass	Stainless Steel
Size	Part Name	Item #	Item #	Item #
3/4"	07AS	60341075	☎	64341075
1"	10AS	60341000	☎	☎
1-1/2"	15AS	60341500	62341500	64341500
2"	20AS	60342000	62342000	64342000
2" X 3"	20X30AS	☎	☎	64342030
2-1/2"	25AS	60342500	62342500	64342500
2-1/2" x 2"	25X20AS	☎	62342520	☎
2-1/2" x 3"	25X30AS	60342530	62342530	☎
3"	30AS	60343000	62343000	64343000
4"	40AS	60344000	62344000	64344000
5"	50AS	60345000	62345000	64345000
6"	60AS	60346000	62346000	64346000
8"	80AS	60348000	☎	64348000

Adapter X Female Straight Thread		Ductile Iron	Hard Coat Alum
Size	Part Name	Item #	Item #
1-1/2"	15AS	☎	70341500
2"	20AS	68342000	70342000
2-1/2"	25AS	68342500	☎
2-1/2" x 3"	25X30AS	☎	☎
3"	30AS	68343000	70343000
4"	40AS	68344000	70344000
5"	50AS	68345000	☎
6"	60AS	68346000	☎
8"	80AS	☎	☎

Coupler X Female Straight Thread		Aluminum HBS	Aluminum HB	Brass	Stainless Steel
Size	Part Name	Item #	Item #	Item #	Item #
3/4"	07DS	60360075	☎	☎	☎
1"	10DS	60361000	☎	☎	☎
1 1/2"	15DS	60361500	☎	☎	☎
2"	20DS	60362000	6036000048	62362000	64362000
2-1/2"	25DS	60362500	6036000049	62362500	64362500
3"	30DS	60363000	6036000050	62363000	64363000
4"	40DS	60364000	6036000051	62364000	64364000
5"	50DS	60365000	6036000052	62365000	64365000
6"	60DS	☎	60366000	62366000	64366000

Coupler X Female Straight Thread		Ductile Iron	Hard Coat Alum
Size	Part Name	Item #	Item #
1"	10DS	68361000	☎
2"	20DS	68362000	70362000
2-1/2"	25DS	☎	70362500
3"	30DS	68363000	70363000
4"	40DS	68364000	70364000
5"	50DS	68365000	70366000
6"	60DS	68366000	☎

All straight thread replacement gaskets are sold on Page 70.

All cam replacement gaskets are sold on pages 68-70



Adapter X Tank Car Thread		Aluminum	Brass	Stainless Steel
Size	Part Name	Item #	Item #	Item #
2" x 5"	TCA20X50	60462050	62462050	64462050
2-1/2" X 5"	TCA25X50	60462550	62462550	64462550
3" x 5"	TCA30X50	60463050	62463050	64463050
4" x 5"	TCA40X50	60464050	62464050	64464050

Adapter X Tank Car Thread		Ductile Iron	Hard Coat Alum
Size	Part Name	Item #	Item #
2" x 5"	TCA20X50	68462050	☎
2-1/2" x 5"	TCA25X50	☎	☎
3" x 5"	TCA30X50	68463050	70463050
4" x 5"	TCA40X50	68464050	70464050

Adapter X Tank Car Thread		Aluminum	Brass	Stainless Steel
Size	Part Name	Item #	Item #	Item #
4" X 5"	TCA40X45DEG	60464000	62464000	64464000

Adapter X Tank Car Thread		Ductile Iron	Hard Coat Alum
Size	Part Name	Item #	Item #
4" x 5"	TCA40X45DEG	68464000	70464000

TCA ADAPTER X FEMALE TANK CAR THREAD
Made in the U.S.A.



*with pin lugs

TCA 40X45° ELBOW 45° ELBOW 4" ADAPTER X FEMALE TANK CAR THREAD
Made in the U.S.A.



TCA 40X90° ELBOW 4" MALE NPT THREAD X FEMALE TANK CAR THREAD
Made in the U.S.A.



TCA 40X90° ELBOW 4" ADAPTER X FEMALE TANK CAR THREAD
Made in the U.S.A.



REPLACEMENT GASKETS
Made in the U.S.A.



Replacement Gaskets	
Item #	Part #
5503800	LEATHER GASKET
5503801	WHITE NITRILE (FOOD GRADE)
5503802	EPDM
5503803	BUNA N
5503805	Teflon®
5500891	VITON® GASKET
5504000	NEOPRENE GASKET

Tank Car Thread X NPT Thread		Aluminum/ Viton
Size	Part Name	Item #
4" X 5"	TCA40NPTM 90 Deg Elbow	60464090

TCA 40X90° Elbow can be used with:



TTFNPTF
TTMA FLANGE X FEMALE NPT
Sold on page 75.



MDA MAXI-DRY® ADAPTER
ADAPTER X FEMALE NPT THREAD
Sold on page 86.

Tank Car Thread X Adapter		Aluminum
Size	Part Name	Item #
4"	TCA 40 90 Deg Elbow	60464092

All tank car adapters come standard with Buna N gaskets.
All tank car threads are manufactured to 5 1/4" 4 UN3B specifications.
All registered trademarks are the property of their respective owners.



AWB-ADAPTER ADAPTER X BUTT WELD

Made in the U.S.A.



All Stainless Steel castings are 316 Stainless Steel.

Other alloys and sizes are available via special quote.

Ordering Information:

- Adapter Size
- Material
- Pipe Size & Schedule Number or Tube O.D.
- Wall Thickness
- Butt Weld

Example:

- Adapter Size: 3"
- Material: Aluminum
- Pipe Size: 3"
- Sch. Number: Sch 40
- Butt Weld

AWB line drawings & dimensions are on page 170.

BUTT WELD FOR SCHEDULE 40 PIPE

		Aluminum	Stainless Steel	Hastelloy®C	Carpenter 20	Carbon Steel
Size	Part Name	Item #	Item #	Item #	Item #	Item #
1/2"	E05AWB	☎	64600112	☎	☎	☎
3/4"	07AWB	☎	64600712	76600701	☎	☎
1"	10AWB	60601025	64601016	76601003	75601001	74601025
1-1/4"	12AWB	☎	64601211	☎	☎	☎
1-1/2"	15AWB	☎	64601512	76601505	☎	74601525
2"	20AWB	60602017	64602011	76602020	☎	74602027
2-1/2"	25AWB	60602527	64602515	☎	☎	74602525
3"	30AWB	60603012	64603011	☎	75603025	74603025
4"	40AWB	60604018	64604017	☎	☎	74604026
5"	50AWB	60605013	64605012	☎	☎	74605006
6"	60AWB	60606013	64606011	76606001	75606027	74606027
8"	80AWB	60608012	64608026	☎	☎	74608012
10"	100AWB	60609003	64609011	☎	☎	74609010

BUTT WELD FOR SCHEDULE 10 PIPE

		Aluminum	Stainless Steel	Hastelloy®C	Carpenter 20	Carbon Steel
Size	Part Name	Item #	Item #	Item #	Item #	Item #
1/2"	E05AWB	☎	64600113	☎	☎	☎
3/4"	07AWB	☎	64600711	76600702	75600725	☎
1"	10AWB	☎	64601011	76601002	☎	☎
1-1/4"	12AWB	☎	64601209	☎	☎	☎
1-1/2"	15AWB	☎	64601515	76601506	☎	☎
2"	20AWB	60602019	64602012	76602019	75602012	74602026
2-1/2"	25AWB	60602513	64602513	☎	☎	☎
3"	30AWB	60603011	64603012	76603011	☎	74603011
4"	40AWB	60604013	64604012	☎	☎	74604029
5"	50AWB	60605020	64605011	☎	☎	☎
6"	60AWB	60606017	64606013	76606002	☎	☎
8"	80AWB	60608014	64608028	☎	☎	☎
10"	100AWB	☎	☎	☎	☎	☎

BUTT WELD FOR .065 TUBE

		Aluminum	Stainless Steel	Hastelloy®C	Carpenter 20	Carbon Steel
Size	Part Name	Item #	Item #	Item #	Item #	Item #
1/2"	E05AWB	☎	64600110	☎	☎	☎
3/4"	07AWB	☎	64600714	☎	☎	☎
1"	10AWB	☎	64601012	76601012	☎	☎
1-1/4"	12AWB	☎	64601212	☎	☎	☎
1-1/2"	15AWB	60601511	64601514	76601514	☎	☎
2"	20AWB	60602013	64602013	☎	☎	74602013
2-1/2"	25AWB	60602525	64602514	☎	☎	☎
3"	30AWB	60603014	64603014	☎	☎	74603014
4"	40AWB	60604020	64604014	☎	☎	74604027
5"	50AWB	60605016	64605015	☎	☎	☎
6"	60AWB	60606014	64606014	☎	☎	74606026
8"	80AWB	60608017	☎	☎	☎	☎
10"	100AWB	☎	64609010	☎	☎	☎

All registered trademarks are the property of their respective owners.



SOCKET WELD FOR PIPE

		Aluminum	Stainless Steel	Hastelloy®C	Carpenter 20	Carbon Steel
Size	Part Name	Item #	Item #	Item #	Item #	Item #
1/2"	E05AWS	☎	64600101	☎	72600101	☎
3/4"	07AWS	☎	64600701	☎	75600701	☎
1"	10AWS	60601002	64601004	76601001	☎	74601001
1"X1-1/2"	10X15AWS	☎	64601006	☎	☎	☎
1-1/4"	12AWS	60601201	64601201	☎	☎	☎
1-1/2"	15AWS	60601502	64601503	76601501	☎	74601501
2"	20AWS	60602004	64602001	76602004	75602013	74602002
2"X1-1/2"	20X15AWS	☎	64602005	☎	☎	☎
2-1/2"	25AWS	60602502	64602504	☎	☎	74602501
3"	30AWS	60603005	64603003	76603003	☎	☎
4"	40AWS	60604005B	64604003	☎	75604001	74604099
4" X 3"	40X30AWS	60604032	☎	☎	☎	☎
5"	50AWS	60605004	64605001	☎	☎	74605003
5" X 4"	50X40AWS	606050401	☎	☎	☎	☎
6"	60AWS	60606001	64606003	☎	☎	74606002
6" X 5"	60X50AWS	60606050	☎	☎	☎	☎
8"	80AWS	60608004	64608001	☎	☎	74608001
10"	100AWS	60609002	64609001	☎	☎	☎

AWS-ADAPTER ADAPTER X SOCKET WELD

Made in the U.S.A.



All Stainless Steel castings are 316 Stainless Steel.

Other alloys and sizes are available via special quote.

Ordering Information:

- Adapter Size
- Material
- Pipe Size & Schedule Number or Tube O.D.
- Wall Thickness
- Socket Weld

Example:

- Adapter Size: 3"
- Material: Aluminum
- Pipe Size: 3"
- Sch. Number: Sch 40
- Socket Weld

AWS line drawings & dimensions are on page 170.

All registered trademarks are the property of their respective owners.

SOCKET WELD FOR TUBE

		Aluminum	Stainless Steel	Hastelloy®C	Carpenter 20	Carbon Steel
Size	Part Name	Item #	Item #	Item #	Item #	Item #
3/4"	07AWS	☎	64600703	☎	☎	☎
1"	10AWS	60601001	64601001	☎	☎	74601002
1-1/4"	12AWS	60601202	☎	☎	☎	☎
1-1/2"	15AWS	60601501	64601504	☎	☎	74601502
2"	20AWS	60602003	64602002	☎	☎	74602003
2" X 1-1/2"	20X15AWS	60602015	☎	☎	☎	☎
2-1/2"	25AWS	60602501	64602503	☎	☎	74602502
3"	30AWS	60603001	64603005	☎	☎	74603002
4"	40AWS	60604007A	64604004	☎	☎	74604001
4" x 3"	40X30AWS	☎	☎	☎	☎	☎
5"	50AWS	60605001	64605004	☎	☎	74605001
5" X 4"	50X40AWS	☎	☎	☎	☎	☎
6"	60AWS	60606002	64606001	☎	☎	74606001
6" x 5"	60X50AWS	☎	☎	☎	☎	☎
8"	80AWS	60608002	64608002	☎	☎	☎
10"	100AWS	☎	☎	☎	☎	☎



DWB COUPLER COUPLER X BUTT WELD

Made in the U.S.A.



All Stainless Steel castings are 316 Stainless Steel and all components are 300 series Stainless Steel.

HBS cam arms are made of 300 series Stainless Steel.

HB cam arms are made of Brass.

Other alloys and sizes are available via special quote.

Ordering Information:

- Coupler Size
- Material
- Pipe Size & Schedule Number or Tube O.D.
- Wall Thickness
- Butt Weld

Example:

- Coupler Size: 3"
- Material: Aluminum
- Pipe Size: 3"
- Butt Weld

All couplings are available with STA-LOK® II cam arms.

DWB line drawings & dimensions are on page 166.

Replacement gaskets are available on pages 66-68.

All registered trademarks are the property of their respective owners.

BUTT WELD FOR SCHEDULE 40 PIPE

		Aluminum	Stainless Steel	Hastelloy®C	Carpenter-20	Carbon Steel
Size	Part Name	Item #	Item #	Item #	Item #	Item #
1/2"	E05DWB	☎	64620107	☎	☎	☎
3/4"	07DWB	☎	64620711	☎	☎	☎
1"	10DWB	☎	64621013	☎	75621025	☎
1-1/4"	12DWB	60621225	64621211	☎	☎	☎
1-1/2"	15DWB	60621515	64621512	76621505	☎	74621505
1-1/2" X 1"	15X10DWB	☎	64621517	☎	☎	☎
2"	20DWB	60622013	64622011	76622006	75622011	☎
2-1/2"	25DWB	☎	64622512	☎	☎	☎
3"	30DWB	60623013	64623016	76623002	75623025	74623025
4"	40DWB	60624018	64624015	76624025	☎	74624025
5"	50DWB	60625015	64625016	☎	☎	☎
6"	60DWB	60626014	64626012	76626001	☎	74626012
8"	80DWB	60628011	64628028	☎	☎	☎
10"	100DWB	60629015	64629011	☎	☎	☎

BUTT WELD FOR SCHEDULE 10 PIPE

		Aluminum	Stainless Steel	Hastelloy®C	Carpenter-20	Carbon Steel
Size	Part Name	Item #	Item #	Item #	Item #	Item #
1/2"	E05DWB	☎	64620109	☎	☎	☎
3/4"	07DWB	☎	64620713	☎	☎	☎
1"	10DWB	☎	64621010	☎	☎	☎
1-1/4"	12DWB	☎	64621214	☎	☎	☎
1-1/2"	15DWB	☎	64621515	76621506	☎	☎
2"	20DWB	60622019	64622017	76622005	75622012	74622005
2-1/2"	25DWB	☎	64622515	☎	☎	☎
3"	30DWB	60623016	64623013	☎	☎	☎
4"	40DWB	60624013	64624012	☎	☎	☎
5"	50DWB	60625011	64625012	☎	☎	☎
6"	60DWB	60626016	64626013	76626003	☎	☎
8"	80DWB	60628013	64628027	☎	☎	☎

BUTT WELD FOR .065 TUBE

		Aluminum	Stainless Steel	Hastelloy®C	Carpenter-20	Carbon Steel
Size	Part Name	Item #	Item #	Item #	Item #	Item #
1/2"	E05DWB	☎	64620110	☎	☎	☎
3/4"	07DWB	☎	64620712	☎	☎	☎
1"	10DWB	☎	64621014	76621014	☎	☎
1-1/4"	12DWB	☎	64621213	☎	☎	☎
1-1/2"	15DWB	60621514	64621516	76621514	☎	☎
1-1/2" X 2"	15X20DWB	☎	64621520	☎	☎	☎
2"	20DWB	60622014	64622016	76622014	☎	☎
2-1/2"	25DWB	60622512	64622514	☎	☎	☎
3"	30DWB	60623010	64623017	☎	☎	☎
4"	40DWB	60624011	64624016	☎	☎	☎
5"	50DWB	60625014	64625014	☎	☎	☎
6"	60DWB	60626011	64626019	☎	☎	☎
8"	80DWB	60628010	☎	☎	☎	☎
10"	100DWB	☎	64629010	☎	☎	☎



SOCKET WELD FOR PIPE

		Aluminum	Stainless Steel	Hastelloy®C	Carpenter-20	Carbon Steel
Size	Part Name	Item #	Item #	Item #	Item #	Item #
1/2"	E05DWS	☎	64620101	☎	☎	☎
3/4"	07DWS	☎	64620701	☎	75620701	☎
3/4" X 1/2"	07X05DWS	☎	64620702	☎	☎	☎
1"	10DWS	☎	64621002	76621002	75621001	74621001
1" X 3/4"	10X07DWS	☎	64621001	☎	☎	☎
1-1/4"	12DWS	☎	64621201	☎	☎	☎
1-1/2"	15DWS	60621513	64621502	76621510	☎	74621501
2"	20DWS	60622002	64622002	☎	☎	74622001
2-1/2"	25DWS	60622502	64622501	☎	☎	☎
2-1/2" X 2"	25X20DWS	☎	64622530	☎	☎	☎
3"	30DWS	60623003	64623001	76623001	☎	74623001
4"	40DWS	60624005	64624003	☎	☎	74624001
4" X 3"	40X30DWS	☎	64624031	☎	☎	☎
5"	50DWS	60625001	64625001	☎	☎	☎
6"	60DWS	60626004	64626004	☎	☎	☎
8"	80DWS	60628002	64628001	☎	☎	☎
10"	100DWS	60629001	64629002	☎	☎	☎

DWS COUPLER COUPLER X SOCKET WELD

Made in the U.S.A.



All Stainless Steel castings are 316 Stainless Steel and all components are 300 series Stainless Steel.

HBS cam arms are made of 300 series Stainless Steel.

HB cam arms are made of Brass.

Other alloys and sizes are available via special quote.

Ordering Information:

- Coupler Size
- Material
- Pipe Size & Schedule Number or Tube O.D.
- Wall Thickness
- Socket Weld

Example:

- Coupler Size: 3"
- Material: Aluminum
- Pipe Size: 3"
- Schedule Number: Sch 40
- Socket Weld

All couplings are available with STA-LOK® II cam arms.

DWS line drawings & dimensions are on page 166.

SOCKET WELD FOR TUBE

		Aluminum/HBS	Aluminum/HB	Stainless Steel	Hastelloy®C	Carpenter-20	Carbon Steel
Size	Part Name	Item #	Item #	Item #	Item #	Item #	Item #
3/4"	07DWS	☎	☎	64620703	☎	☎	☎
1-1/4"	12DWS	60621202	☎	64621202	☎	☎	☎
1-1/2"	15DWS	60621501	☎	64621501	☎	☎	☎
2"	20DWS	60622004	6062000077	64622001	☎	☎	☎
2-1/2"	25DWS	60622501	6062000078	64622504	☎	☎	74622501
3"	30DWS	60623002	6062000079	64623005	☎	☎	☎
4"	40DWS	60624001	☎	64624001	☎	☎	74624002
5"	50DWS	60625003	☎	64625003	☎	☎	74625001
6"	60DWS	☎	60626002	64626003	☎	☎	☎
8"	80DWS	☎	60628003	64628002	☎	☎	☎

Replacement gaskets are available on pages 68-70.

All registered trademarks are the property of their respective owners.



AHD
HEAVY DUTY ADAPTER X
FEMALE NPT THREAD

Made in the U.S.A.



PSI Rating for Heavy Duty Couplings						
Size	1-1/2"	2"	2-1/2"	3"	4"	6"
PSI Rating	500	500	400	400	300	150

		Aluminum	Brass	Stainless Steel	Ductile Iron
Size	Part Name	Item #	Item #	Item #	Item #
1"	10AHD	☎	☎	64761000	☎
1-1/2"	15AHD	1000115H	1200115H	1400115H	68761500
2"	20AHD	1000120H	1200120H	64762000	68762000
2-1/2"	25AHD	☎	☎	1400125H	68762500
3"	30AHD	1000130H	1200130H	1400130H	1800130H
4"	40AHD	1000140H	1200140H	1400140H	1800140H
6"	60AHD	1000160H	1200160H	1400160H	☎

BHD
HEAVY DUTY COUPLER
X MALE NPT THREAD

Made in the U.S.A.



		Aluminum
Size	Part Name	Item #
6"	60BHD	1000260H

CHD
HEAVY DUTY COUPLER
X HOSE SHANK

Made in the U.S.A.



		Aluminum/HBS	Aluminum/HB	Brass	Stainless Steel
Size	Part Name	Item #	Item #	Item #	Item #
3"	30CHD	1000330H	☎	☎	1400330H
4"	40CHD	1000340H	1070340H	1200340H	1400340H
6"	60CHD	1000360H	1070360H	1200360H	1400360H

2-1/2" and smaller couplers come standard with 2 cam arms while 3" and larger couplers come with 4 STA-LOK® II cam arms.



PSI Rating for Heavy Duty Couplings

Size	1-1/2"	2"	2-1/2"	3"	4"	6"
PSI Rating	500	500	400	400	300	150

		Aluminum	Brass	Stainless Steel	Ductile Iron
Size	Part Name	Item #	Item #	Item #	Item #
1-1/2"	15DHD	1000415H	1200415H	1400415H	68781500
2"	20DHD	1000420H	1200420H	64782000	68782000
2-1/2"	25DHD	☎	☎	1400425HD	68782500
3"	30DHD	10004304CM	1200430H	14004304CM	18004304CM
4"	40DHD	10004404CM	1200440CM	14004404CM	18004404CM
6"	60DHD	10004604CM	12004604CM	14004604CM	18004604CM

DHD
HEAVY DUTY COUPLER X
FEMALE NPT THREAD

Made in the U.S.A.



2-1/2" and smaller couplers come standard with 2 cam arms while 3" and larger couplers come with 4 STA-LOK® II cam arms.

		Aluminum	Brass	Stainless Steel	Ductile Iron
Size	Part Name	Item #	Item #	Item #	Item #
3"	30EHD	1000530H	☎	1400530H	☎
4"	40EHD	1000540H	1200540H	1400540H	68754000
6"	60EHD	1000560H	1200560H	1400560H	☎

EHD
HEAVY DUTY ADAPTER X
HOSE SHANK

Made in the U.S.A.



ADGHD
HEAVY DUTY ADAPTER
X DOUBLE GROOVE

Made in the U.S.A.



		Aluminum	Aluminum Sand
Size	Part Name	Item #	Item #
6"	60ADGHD	6088020H	608802XHSG

		Aluminum
Size	Part Name	Item #
6"	60CDGHD	60226004

CDGHD
HEAVY DUTY COUPLER X
DOUBLE GROOVE

Made in the U.S.A.





**PFA
ADAPTER X PIPE
FLANGE**
150 lb Flange
Made in the U.S.A.



All Stainless Steel castings are 316 Stainless Steel.

Stainless Steel and Carbon Steel Flanges are raised face. Other materials are supplied with flat face flanges. Both style of flanges are available upon request.

Pipe Flange bolt pattern conforms to ANSI B16.5 Class 150

PFA Adapter X Flange line drawings & dimensions are on page 168.

*Denotes that these parts are made as a welded fabrication.

		Aluminum	Brass	Stainless Steel
Size	Part Name	Item #	Item #	Item #
3/4"	PF07A	☎	☎	64520700*
1"	PF10A	60521000	☎	64521000
1" x 2"	PF10X20A	☎	☎	64521020
1-1/4" X 1-1/2"	PF12X25A	☎	☎	64521215*
1-1/2"	PF15A	60521500	62521500	64521500
1-1/2" x 2"	PF15X20A	☎	☎	64521520*
1-1/2" x 3"	PF15X30A	☎	☎	64521530*
2"	PF20A	60522000	62522000	64522000
2" x 1-1/2"	PF20X15A	☎	☎	64522015*
2" x 2-1/2"	PF20X25A	☎	☎	64522025
2" x 3"	PF20X30A	☎	☎	64522030*
2" x 4"	PF20X40A	☎	☎	64522040
2-1/2"	PF25A	60522500	62522500	64522500
2-1/2" x 4"	PF25X40A	60522540	☎	64522540
3"	PF30A	60523000	62523000	64523000
3" x 2"	PF30X20A	☎	☎	64523020
3" x 4"	PF30X40A	60523040	62523040	64523040*
3" x 6"	PF30X60A	60523060*	☎	☎
4"	PF40A	60524009	62524000	64524000
4" x 3"	PF40x30A	60524030	☎	64524030*
4" x 6"	PF40X60A	60524060	☎	64524060
4" x 8"	PF40X80A	60524080	☎	☎
5"	PF50A	60525000	62525000	64525000
6"	PF60A	60526000	62526000	64526000
6" x 8"	PF60X80A	60526080	☎	☎
8"	PF80A	60528000	62528000	64528000
8" x 4"	PF80X40A	60528040*	☎	☎
10"	PF100A	60529000	62529000	64529000
10" x 12"	PF100X120A	☎	☎	64529092*
12"	PF120A	60529200	62529200	64529200

**PFA - HEAVY DUTY
ADAPTER X PIPE
FLANGE**
150 lb Flange
Made in the U.S.A.



		Aluminum	Brass	Stainless Steel
Size	Part Name	Item #	Item #	Item #
4"	PF40AHD	☎	62524000H	64524000H
6"	PF60AHD	6052600H	☎	6452600H
6" X 4"	PF60X40AHD	60546040H*	☎	☎
6" X 5"	PF60X50AHD	60546050H*	☎	☎



		Ductile Iron	Hard Coat Alum	Carbon Steel
Size	Part Name	Item #	Item #	Item #
1"	PF10A	☎	☎	74521000
1-1/2"	PF15A	☎	☎	74521500
1-1/2" x 2"	PF15X20A	☎	☎	☎
1-1/2" x 3"	PF15X30A	☎	☎	☎
2"	PF20A	68522000	70522000	74522000
2" x 1-1/2"	PF20X15A	☎	☎	☎
2" x 2-1/2"	PF20X25A	☎	☎	☎
2" x 3"	PF20X30A	☎	☎	☎
2" x 4"	PF20X40A	☎	☎	☎
2-1/2"	PF25A	☎	70522500	74522500
2-1/2" x 4"	PF25X40A	☎	☎	☎
3"	PF30A	68523000	70523000	74523000
3" x 4"	PF30X40A	68523040	70523040	☎
3" x 6"	PF30X60A	☎	☎	☎
4"	PF40A	68524000	70524000	74524000
4" x 3"	PF40X30A	☎	☎	62524030
4" x 6"	PF40X60A	☎	70524060	☎
4" x 8"	PF40X80A	☎	☎	☎
5"	PF50A	68525000	☎	☎
6"	PF60A	68526000	70526000	74526000
6" x 8"	PF60X80A	☎	☎	62526080
8"	PF80A	68528000	70528000	☎
8" x 4"	PF80X40A	☎	☎	☎
10"	PF100A	68529000	☎	74529000
10" x 12"	PF100X120A	☎	☎	☎
12"	PF120A	☎	☎	☎

PFA
ADAPTER X PIPE FLANGE
 150 lb Flange
 Made in the U.S.A.



All Stainless Steel castings are 316 Stainless Steel.

Stainless Steel and Carbon Steel Flanges are raised face. Other materials are supplied with flat face flanges. Both style of flanges are available upon request.

Pipe Flange bolt pattern conforms to ANSI B16.5 Class 150

PFA Adapter X Flange line drawings & dimensions are on page 168.

**Denotes that these parts are made as a welded fabrication.*

Special Cam & Groove - Pipe Flanges

		Aluminum	Brass	Stainless Steel
Size	Part Name	Item #	Item #	Item #
4"	PF40CHD	☎	☎	☎
6"	PF60CHD	6054600H	☎	☎
6" X 3"	PF60X30CHD	60546030	☎	☎

PFC - HEAVY DUTY
COUPLER X PIPE
FLANGE
 150 lb Flange
 Made in the U.S.A.





PFC COUPLER X PIPE FLANGE

Made in the U.S.A.



All Stainless Steel castings are 316 Stainless Steel and all components are 300 series Stainless Steel.

Stainless Steel and Carbon Steel Flanges are raised face. Other materials are supplied with Flat Face Flanges. Both styles of flanges are available on request.

Pipe Flange bolt pattern conforms to ANSI B16.5 Class 150

PFC Coupler X Flange line drawings & dimensions are on page 168.

** Denotes that these parts are made as a welded fabrication.*

		Aluminum/HB	Aluminum/HBS	Brass	Stainless Steel
Size	Part Name	Item #		Item #	Item #
3/4" X 1"	PF07X10C	☎	☎	☎	64540710
1"	PF10C*	☎	60541000*	☎	64541000
1-1/2"	PF15C	☎	60541500	62541500	64541500
1-1/2" X 2"	PF15X20C	☎	☎	☎	64541520
2"	PF20C	6054000070	60542000	62542000	64542000
2" X 3"	PF20X30C	☎	☎	☎	64542030*
2-1/2"	PF25C	☎	60542500	62542500	64542500*
2-1/2" X 3"	PF25X30C	☎	☎	62542530	☎
2-1/2" X 4"	PF25X40C	☎	☎	62542540	64542540
3"	PF30C	6054000071	60543000	62543000	64543000
3" x 2"	PF30X20C	☎	☎	☎	64543020*
3" x 4"	PF30X40C	☎	☎	☎	64543040*
3" x 6"	PF30X60C	60543060*	☎	☎	☎
4"	PF40C	6054000072	60544000	62544000	64544000
4" x 3"	PF40X30C	6054030	☎	☎	☎
4" x 6"	PF40X60C	6054060	6054060	☎	☎
5"	PF50C	☎	60545000*		64545000
6"	PF60C	60546000		62546000	64546000
6" x 8"	PF60X80C	☎	☎	☎	☎
8"	PF80C	6054000073	60548000	62548000	64548000
8" x 12"	PF80X120C	605408092	☎	☎	☎
10"	PF100C	60549000	☎	☎	64549000
12"	PF120C	60549200	60549201	☎	☎

		Ductile Iron	Hard Coat Alum	Carbon Steel
Size	Part Name	Item #	Item #	Item #
Size	Part Name	Item #	Item #	Item #
1"	PF10C	☎	☎	☎
1-1/2"	PF15C	☎	☎	74541500
1-1/2" x 2"	PF15X20C	☎	☎	☎
2"	PF20C	68542000	☎	74542000
2"	PF20CSL	☎	☎	☎
2-1/2"	PF25C	68542500	☎	☎
3"	PF30C	68543000	70543000	74543000
3" x 2"	PF30X20C	☎	☎	☎
3" x 4"	PF30X40C	☎	☎	☎
4"	PF40C	68544000	70544000	74544000
4" x 6"	PF40X60C	☎	7054060	☎
6"	PF60C	68546000	70546000	74546000
6" x 8"	PF60X80C	☎	☎	☎
8"	PF80C	☎	70548000	☎
8" x 12"	PF80X120C	☎	☎	☎
10"	PF100C	☎	☎	☎
12"	PF120C	☎	☎	☎



		Aluminum HBS	Aluminum HB
Size	Part Name	Item #	Item #
1-1/2"	15BC	60721500	6072000087
2"	20BC	60722000	6072000088
2-1/2"	25BC	60722500	6072000089
2-1/2" x 2-1/4"	25BCX2 1/4"	60722512	
3"	30BC	60723000	6072000090

BC-COUPLER
COUPLER X TUBING
COMPRESSION FITTING
Made in the U.S.A.



		Aluminum HBS
Size	Part Name	Item #
1-1/2"	15FC	60741500
2"	20FC	60742000
2-1/2"	25FC	60742500
2-1/2" x 2-1/4"	25FCX2 1/4"	60742512
3"	30FC	60743000

FC-ADAPTER
ADAPTER X TUBING
COMPRESSION FITTING
Made in the U.S.A.



		Aluminum HBS
Size	Part Name	Item #
1-1/2"	15FCN	60741515
2"	20FCN	60742020
2-1/2"	25FCN	60742525
3"	30FCN	60743030

**COMPRESSION NUT
FOR BC & FC**
NUT AND GASKET



		Buna N
Size	Part Name	Item #
1-1/2"	15FC	5507415
2"	20FC	5507420
2 1/4"	22FC	5507422
2-1/2"	25FC	5507425
3"	30FC	5507430

**BC & FC COMPRESSION
NUT GASKET**



Buna N
1 Blue Stripe

Compression gasket will not interchange with standard Buna N coupling gasket.



AG
ADAPTER X
SINGLE GROOVE
 Made in the U.S.A.



		Aluminum
Size	Part Name	Item #
3"	30AG	60880230
4"	40AG	60880240
6"	60AGHD Heavy Duty	6088026

**Heavy Duty 150 PSI*

ADGHD
HEAVY DUTY ADAPTER
X DOUBLE GROOVE
 Made in the U.S.A.



		Aluminum	Aluminum Sand
Size	Part Name	Item #	Item #
6"	60ADGHD	6088020H	608802XHSG

**Heavy Duty 150 PSI*

TTFVG
SINGLE GROOVE X
TTMA FLANGE
 Made in the U.S.A.



		Aluminum	Aluminum/Clear Anodized
Size	Part Name	Item #	Item #
3"	TTF30VG	60513000VG	☎
4"	TTF40VG	60514000VG	605140VGDG

TTFDGHD
DOUBLE GROOVE X
TTMA FLANGE HEAVY
DUTY
 Made in the U.S.A.



		Aluminum
Size	Part Name	Item #
6"	TTF60DGHD ALUM	6056601H

**Heavy Duty 150 PSI*

40 SGY
SINGLE GROOVE Y
 Made in the U.S.A.



		Aluminum/Clear Anodized
Size	Part Name	Item #
4"	40SGY	60594142DG

All registered trademarks are the property of their respective owners.



		Aluminum	Ductile
Size	Part Name	Item #	Item #
1-1/2" x 2"	15X20CG	60221520GG	☎
4"	40CG	60890040G	68890040
6"	60CGHD	6022601	☎

*Heavy Duty 150 PSI

CG
COUPLER X
SINGLE GROOVE
Made in the U.S.A.



		Aluminum
Size	Part Name	Item #
6"	60CDGHD	60226004

*Heavy Duty 150 PSI

CDGHD
HEAVY DUTY COUPLER
X DOUBLE GROOVE
Made in the U.S.A.



		Aluminum	Steel	Plated Steel
Size	Part Name	Item #	Item #	Item #
1"	PTCN100 Pipe Groove	☎	☎	83640100VG
1-1/2"	PTCN150 Pipe Groove	85640150VG	82640150VG	83640150VG
2"	PTCN200 Pipe Groove	85640200VG	82640200VG	83640200VG
2-1/2"	PTCN250 Pipe Groove	85640250VG	82640250VG	☎
3"	PTCN300 Pipe Groove	85640300VG	82640300VG	83640300VG
4"	PTCN400 Pipe Groove	85640400VG	82640400VG	☎
6"	PTCN600 Pipe Groove	85640600VG	82640600VG	☎
8"	PTCN800 Pipe Groove	☎	82640800VG	☎

PTCN PIPE GROOVE
HOSE SHANK X
SINGLE GROOVE
Made in the U.S.A.



All registered trademarks are the property of their respective owners.



SWIVEL END A



SWIVEL END B

FEMALE NPT



FEMALE NPT



MALE NPT



MALE NPT



ADAPTER



HOSE SHANK



COUPLER



PIPE FLANGE



HOSE SHANK



VICTAULIC®



VICTAULIC®



BUTT WELD



BUTT WELD



SOCKET WELD



SOCKET WELD



TANK TRUCK FLANGE





VERSATILE SWIVEL ORDERING INFORMATION

(Select desired swivel ends below to determine swivel assembly part name)

VERSATILE SWIVEL ASSEMBLY NAMING CHART

		SWIVEL END B							
SWIVEL END A		FEMALE NPT THREAD	MALE NPT THREAD	HOSE SHANK.	SOCKET WELD	BUTT WELD	GROOVE (VICT)	PIPE FLANGE	TANK TRUCK FLG.
	FEMALE NPT THREAD	##FFSV	##MFSV	##FSSV	##FWSSV	##FWBSV	##FGSV	PF##FSV	TTF##FSV
	MALE NPT THREAD	##MFSV	##MMSV	##MSSV	##MWSSV	##MWBSV	##MGSV	PF##MSV	TTF##MSV
	ADAPTER	##ASV	##FSV	##ESV	##AWSSV	##AWBSV	##AGSV	PF##ASV	TTF##ASV
	COUPLER	##DSV	##BSV	##CSV	##DWSSV	##DWBSV	##CGSV	PF##CSV	TTF##CSV
	HOSE SHANK	##FSSV	##MSSV	##HMSV	##SWSSV	##SWBSV	##SGSV	PF##SSV	TTF##SSV
	GROOVE(VICT)	##FGSV	##MGSV	##SGSV	##GWSSV	##GWBSV	##GGSV	PF##GSV	TTF##GSV
	BUTT WELD	##FWBSV	##MWBSV	##SWBSV	##WSWBSV	##WBWBSV	##GWBSV	PF##WBSV	TTF##WBSV
	SOCKET WELD	##FWSSV	##MWSSV	##SWSSV	##WSWSSV	##WSWBSV	##GWSSV	PF##WSSV	TTF##WSSV

Select desired size ##	
Sizes Available	PT Description
1.25"	12
1.5"	15
2"	20
2.5"	25
3"	30
4"	40
5"	50
6"	60

Select Desired Body Material	
316 Stainless Steel	SS
Aluminum	ALUM

Select Desired Seal Material	
Buna N	
Viton®	
Teflon®	

Flange bolt pattern conforms to ANSI B16.5 Class 150

Pressure ratings on Versatile Swivels are the same as standard cam & groove fittings. Contact PT Coupling if additional pressure is required.

*Because the Teflon® seal is an o-ring, it could be more difficult to rotate compared to a Buna or Viton® u-cup seal.

On Weld Fittings indicate

- Pipe Size & Schedule
- Number or Tube O.D.
- Wall Thickness
- Butt or Socket Weld

Using Information from above charts, develop complete swivel description by filling in blanks

Assembly size & part name	Body Material	Seal Material	All Swivels come standard without a grease zerk, but grease zerks are available upon request
---------------------------	---------------	---------------	--

Example 1: 30MFSV ALUM BUNA

(Explanation)
3" male NPT thread by female NPT thread aluminum swivel with a Buna seal

Versatile Swivel Ordering Information

*Please call for stock availability

All registered trademarks are the property of their respective owners



ASV-ADAPTER SWIVEL
 360° SWIVEL-ADAPTER X
 FEMALE NPT THREAD
 Ball bearing swivel action
 Available with Viton® or
 Buna Seals
 Made in the U.S.A.



		Aluminum Viton®	Aluminum Buna	Stainless Steel Viton®	Stainless Steel Buna
Size	Part Name	Item #	Item #	Item #	Item #
1-1/2"	15ASV	60151500	☎	64151500	☎
2"	20ASV	60152000	☎	64152000	64152100
2-1/2"	25ASV	☎	60152500	64152500	☎
3"	30ASV	60153000	60153100	64153000	☎
4"	40ASV	60154000	60154100	64154000	64154100
5"	50ASV	60155000	☎	64155000	☎
6"	60ASV	60156000	60156000B	64156000	☎

Other seal materials available upon request

BSV-COUPLER SWIVEL
 360° SWIVEL-COUPLER X
 MALE NPT THREAD
 Ball bearing swivel action
 Available with Viton® or
 Buna Seals
 Made in the U.S.A.



		Aluminum Viton®	Aluminum Buna	Stainless Steel Viton®	Stainless Steel Buna
Size	Part Name	Item #	Item #	Item #	Item #
1-1/2"	15BSV	60191500	☎	☎	☎
2"	20BSV	60192000	☎	64192000	☎
2-1/2"	25BSV	60192500	☎	64192500	☎
3"	30BSV	60193000	☎	64193000	☎
4"	40BSV	60194000	☎	64194000	☎
5"	50BSV	☎	☎	☎	☎
6"	60BSV	60196000	☎	☎	☎

Other seal materials available upon request

CSV-COUPLER SWIVEL
 360° SWIVEL-COUPLER X
 HOSE SHANK
 Ball bearing swivel action
 Available with Viton® or
 Buna Seals
 Made in the U.S.A.



		Aluminum Viton®	Aluminum Buna	Stainless Steel Viton®	Stainless Steel Buna
Size	Part Name	Item #	Item #	Item #	Item #
1-1/2"	15CSV	60231500	☎	64231500	☎
2"	20CSV	60232000	☎	64232000	☎
2-1/2"	25CSV	60232500	☎	☎	☎
3"	30CSV	60233000	☎	64233000	☎
4"	40CSV	60234000	☎	64234000	☎
5"	50CSV	60235000	☎	☎	☎
6"	60CSV	60236000	☎	64236000	☎

All couplings are available with STA-LOK® II cam arms.

C50 Sleeves & ferrules can be used on CSV-Coupler Swivel just like on standard C-Couplers.

Other seal materials available upon request

All registered trademarks are the property of their respective owners.



		Aluminum Viton®	Aluminum Buna	Stainless Steel Viton®	Stainless Steel Buna	Hard Coat Alum Viton®
Size	Part Name	Item #	Item #	Item #	Item #	Item #
1-1/2"	15DSV	60211500	☎	64211500	☎	☎
2"	20DSV	60212000	☎	64212000	☎	☎
2-1/2"	25DSV	60212500	☎	64212500	☎	☎
3"	30DSV	60213000	60213100	64213000	☎	70213000
4"	40DSV	60214000	60214100	64214000	☎	70214000
5"	50DSV	60215000	☎	64215000	☎	☎
6"	60DSV	60216000	☎	64216000	☎	70216000

		Aluminum Viton®	Aluminum Buna	Stainless Steel Viton®	Stainless Steel Buna
Size	Part Name	Item #	Item #	Item #	Item #
1-1/2"	15ESV	60251500	☎	64251500	☎
2"	20ESV	60252000	☎	64252000	☎
2-1/2"	25ESV	60252500	☎	☎	☎
3"	30ESV	60253000	☎	64253000	☎
4"	40ESV	60254000	☎	☎	☎
5"	50ESV	60255000	☎	☎	☎
6"	60ESV	60256000	☎	☎	☎

C50 Sleeves & ferrules can be used on CSV-Coupler Swivel just like on standard C-Couplers.

		Aluminum Viton®	Aluminum Buna	Stainless Steel Viton®	Stainless Steel Buna	Hard Coat Alum Viton®
Size	Part Name	Item #	Item #	Item #	Item #	Item #
1-1/2"	15FSV	60171500	☎	64171500	☎	☎
2"	20FSV	60172000	☎	64172000	☎	☎
2-1/2"	25FSV	60172500	☎	☎	☎	☎
3"	30FSV	60173000	☎	64173000	☎	70173000
4"	40FSV	60174000	☎	64174000	☎	☎
5"	50FSV	☎	☎	☎	☎	☎
6"	60FSV	60176000	☎	☎	☎	☎

		Viton®	Buna	Teflon®
Size	Part Name	Item #	Item #	Item #
1-1/2"	15SV	5019015	☎	☎
2"	20SV	5019020	☎	☎
2-1/2"	25SV	5019025	☎	☎
3"	30SV	5019030	5509390	5509391
4"	40SV	5019040	5509490	☎
5"	50SV	5019050	☎	☎
6"	60SV	5019060	5019061	☎

Other seal materials available upon request
 All registered trademarks are the property of their respective owners.

Toll-Free: (800) 654-0320 • Toll-Free Fax: (800) 828-2649 • info@ptcoupling.com • www.ptcoupling.com

DSV-COUPLER SWIVEL
 360° SWIVEL-COUPLER X
 FEMALE NPT THREAD
 Available with Viton® or
 Buna Seals
 Made in the U.S.A.



ESV-ADAPTER SWIVEL
 360° SWIVEL-ADAPTER X
 HOSE SHANK
 Ball bearing swivel action
 Available with Viton® or
 Buna Seal
 Made in the U.S.A.



FSV-ADAPTER SWIVEL
 360° SWIVEL-ADAPTER X
 MALE NPT THREAD
 Ball bearing swivel action
 Available with Viton® or
 Buna Seals
 Made in the U.S.A.



SWIVEL REPAIR KIT
 Made in the U.S.A.



Includes u-cup, bushing,
 bolt, and ball bearings.



SWIVEL UNITS

MALE NPT THREAD X
FEMALE NPT THREAD
150 PSI Working
Pressure

Made in the U.S.A.

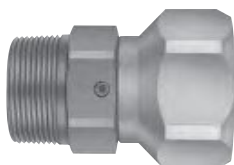


		Anodized Aluminum Buna	Anodized Aluminum Viton®		Chrome Plated Brass		Stainless Steel
Size	Part Name	Item #	Item #	Part Name	Item #	Part Name	Item #
1-1/4"	FOA125MF	W470010	W470010V	FOB125MF LONG	W430110	FOS125MF	W440010
1-1/2"	FOA150MF	W470012	W470012V	FOB150MF LONG	W430012	FOS150MF	W440012
2"	FOA200MF	W470016	W470016V	FOB200MF LONG	W430016	FOS200MF	W440016
2-1/2"	FOA250MF	W470020	☎	FOB250MF	☎	FOS250MF	☎
3"	FOA300MF	W470024	☎	FOB300MF	☎	FOS300MF	☎

HEX SWIVEL UNITS

MALE NPT THREAD X
FEMALE NPT THREAD
150 PSI Working
Pressure

Made in the U.S.A.



		Anodized Aluminum	
Size	Part Name	Item #	Contains
1-1/2"	ZS9	W421111	Snap Ring / O Ring
1-1/2"	ZS10	W421113	Ball Bearings / O Ring

SWIVEL UNITS

MALE NPT THREAD X
HOSE SHANK
150 PSI Working
Pressure

Made in the U.S.A.

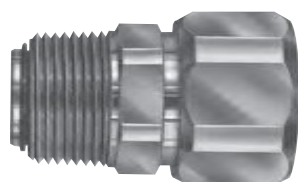


		Anodized Aluminum		Chrome Plated Brass
Size	Part Name	Item #	Part Name	Item #
3/4" x 3/4"	FO3434	W960530	FO3434	W961530
1" x 5/8"	FO1058	W960510	FO1058	W961510
1" x 3/4"	FO1034	W960520	FO1034	W961520
1"	FO1000	W960600	FO1000	W961600
1-1/4"	FO125	W480010	FO125	W961010
1-1/2" x 1-3/8"	FO138	W480011	FO138	☎
1-1/2"	FO150	W480012	☎	☎
2"	FO200	W480016	☎	☎
2-1/2"	FO250	W480020	FO250	W961020
3"	FO300	☎	FO300	W961024

PUMP & NOZZLE SWIVEL

MALE NPT THREAD X
FEMALE NPT THREAD
150 PSI Working Pressure

Made in the U.S.A.



Chrome Plated-Aluminum Body & Brass Nut		
NPT Size		
Male x Female	Part Name	Item #
1/2"	PS12MF	☎
3/4"	PS34MF	W410006
3/4" x 1"	PS3410MF	W410608
1"	PS100MF	W410008
1" x 3/4"	PS1034MF	W410806

Fuel Resistant Buna seals are standard, on all WEDGON® swivels.

Other seal types are also available, call for pricing and availability.

Pump swivels have Stainless Steel retaining rings for water service.

All registered trademarks are the property of their respective owners.



Size	Part Name	Buna		Viton®	
		Item #	Item #	Item #	Item #
1-1/4"	X125	W780010	W782010	W780010	W782010
1-1/2"	X150	W780012	W782012	W780012	W782012
2"	X200	W780016	W782016	W780016	W782016
2-1/2"	X250	W780020	W782020	W780020	W782020

REPAIR KITS, FOA, FOB & FOS SWIVEL FITTINGS

INCLUDES O-RINGS, STAINLESS STEEL RETAINING RING, & BUSHING

Made in the U.S.A.



Size	Part Name	Buna		Viton®	
		Item #	Item #	Item #	Item #
1/2"	K12	W710004	W712004	W710004	W712004
3/4"	K34	W710006	W712006	W710006	W712006
1"	K100	W710008	W712008	W710008	W712008
1-1/4"	K125	W710010	W712010	W710010	W712010
1-1/2"	K150	W710012	W712012	W710012	W712012
2"	K200	W710016	W712016	W710016	W712016
2-1/2"	K250	W710020	W712020	☎	☎
3"	K300	W710024	W712024	☎	☎

REPAIR KITS, FO, ZS & PS SWIVEL FITTINGS

INCLUDES O-RINGS & RETAINING RING

Made in the U.S.A.



Buna O-Rings & Stainless Steel Retaining Ring

All registered trademarks are the property of their respective owners.

Swivel - Fuel Oil & Petroleum Swivel Repair Kits



COUPLING GASKET

Made in the U.S.A.



Buna N Standard
1 Blue Stripe



Buna N Fuel Resistant
2 Blue Stripes



Neoprene Gasket
1 White Stripe

Size	Buna N Standard		Buna Fuel Resistant		Neoprene		Viton®	
	Part Name	Item #	Part Name	Item #	Part Name	Item #	Part Name	Item #
1/2"	B05Y	5500205	☎	☎	N05Y	5500405	V05Y	5500805
3/4"	B01	5500207	B01F	5500207F	N01	5500407	V01	5500807
1"	B02	5500210	B02F	5500210F	N02	5500410	V02	5500810
1-1/4"	B03	5500212	B03F	5500212F	N03	5500412	V03	5500812
1-1/2"	B04	5500215	B04F	5500215F	N04	5500415	V04	5500815
2"	B05	5500220	B05F	5500220F	N05	5500420	V05	5500820
2-1/2"	B06	5500225	B06F	5500225F	N06	5500425	V06	5500825
3"	B07	5500230	B07F	5500230F	N07	5500430	V07	5500830
4"	B08	5500240	B08F	5500240F	N08	5500440	V08	5500840
5"	B09	5500250	B09F	5500250F	N09	5500450	V09	5500850
6"	B010	5500260	B010F	5500260F	N010	5500460	V010	5500860
8"	B011	5500280	☎	☎	N011	5500480	V011	5500880
10"	B012	5500290	☎	☎	☎	☎	V012	5500890
12"	B013	5500292	☎	☎	☎	☎	☎	☎



VITON® 1/2" - 6"
Green



VITON® 8" & 10"*
1 Green Stripe

TEFLON® ENVELOPED COUPLING GASKET

Made in the U.S.A.



Size	Teflon® Enveloped Viton® Filler		Teflon® Enveloped Neoprene Filler		Teflon® Enveloped Buna Filler	
	Part Name	Item #	Part Name	Item #	Part Name	Item #
1/2"	TOFV05Y	5503905	TOFN05Y	5501605	TOFB05Y	5503705
3/4"	TOFV1	5503907	TOFN1	5501607	TOFB1	5503707
1"	TOFV2	5503910	TOFN2	5501610	TOFB2	5503710
1-1/4"	TOFV3	5503912	TOFN3	5501612	TOFB3	5503712
1-1/2"	TOFV4	5503915	TOFN4	5501615	TOFB4	5503715
2"	TOFV5	5503920	TOFN5	5501620	TOFB5	5503720
2-1/2"	☎	☎	TOFN6	5501625	TOFB6	5503725
3"	TOFV7	5503930	TOFN7	5501630	TOFB7	5503730
4"	TOFV8	5503940	TOFN8	5501640	☎	☎
6"	TOFV10	5503960	TOFN10	5501660	☎	☎

All registered trademarks are the property of their respective owners.



Size	Teflon® Encapsulated Silicone		Teflon® Encapsulated Viton®	
	Part Name	Item #	Part Name	Item #
1/2"	TOC05Y	5503005	TOCV05Y	☎
3/4"	TOCS1	5503007	TOCV1	5503207
1"	TOCS2	5503010	TOCV2	5503210
1-1/4"	TOCS3	5503012	TOCV3	5503212
1-1/2"	TOCS4	5503015	TOCV4	5503215
2"	TOCS5	5503020	TOCV5	5503220
2-1/2"	TOCS6	5503025	TOCV6	5503225
3"	TOCS7	5503030	TOCV7	5503230
4"	TOCS8	5503040	TOCV8	5503240
5"	TOCS9	5503050	☎	☎
6"	TOCS10	5503060	☎	☎

TEFLON® ENCAPSULATED GASKET

Made in the U.S.A.



Teflon® Encapsulated Silicone



Teflon® Encapsulated Viton®

Size	Buna N 5/16" Thick		Neoprene 5/16" Thick		EPDM 5/16" Thick		White Nitrile Food Grade 5/16" Thick	
	Part Name	Item #	Part Name	Item #	Part Name	Item #	Part Name	Item #
1"	10YST	5501810	☎	☎	E10YST	5501910	☎	☎
1-1/2"	15YST	5501815	☎	☎	E15YST	5501915	☎	☎
2"	20YST	5501820	N20YST	5502020	E20YST	5501920	☎	☎
2-1/2"	25YST	5501825	☎	☎	☎	☎	☎	☎
3"	30YST	5501830	N30YST	5502030	E30YST	5501930	☎	☎
4"	40YST	5501840	N40YST	5502040	☎	☎	NW8	5503440
5"	50YST	5501850	☎	☎	☎	☎	NW9	5503450
6"	60YST	5501860	N60YST	5502060	☎	☎	NW10	5503460

5/16" THICK COUPLING GASKET

Made in the U.S.A.



Buna N 5/16" Thick Coupling Gasket
1 Blue Stripe



Neoprene 5/16" Thick Coupling Gasket
1 White Stripe

All registered trademarks are the property of their respective owners.



COUPLING GASKET

Made in the U.S.A.



Buna N-Hot Oil
2 Orange Stripes



Silicone



EPDM Gasket



White Nitrile Food Grade

NPSH & NPSM STRAIGHT THREAD GASKET

Made in the U.S.A.



White Nitrile Food Grade



Buna Fuel Resistant

Size	Buna N-Hot Oil		Silicone	
	Part Name	Item #	Part Name	Item #
1/2"	☎	☎	S05Y	5502205
3/4"	☎	☎	S01	5502207
1"	☎	☎	S02	5502210
1-1/4"	B03X	5502812	S03	5502212
1-1/2"	B04X	5502815	S04	5502215
2"	B05X	5502820	S05	5502220
2-1/2"	☎	☎	S06	5502225
3"	B07X	5502830	S07	5502230
4"	B08X	5502840	S08	5502240
5"	B09X	5502850	S011	5502280
6"	B010X	5502860	☎	☎

Size	EPDM		White Nitrile Food Grade	
	Part Name	Item #	Part Name	Item #
1/2"	EPT05Y	5502605	NW05Y	5501405
3/4"	EPT1	5502607	NW1	5501407
1"	EPT2	5502610	NW2	5501410
1-1/4"	EPT3	5502612	NW3	5501412
1-1/2"	EPT4	5502615	NW4	5501415
2"	EPT5	5502620	NW5	5501420
2-1/2"	EPT6	5502625	NW6	5501425
3"	EPT7	5502630	NW7	5501430
4"	EPT8	5502640	NW8	5501440
5"	EPT9	5502650	NW9	5501450
6"	EPT10	5502660	NW10	5501460
8"	☎	☎	NW11	5501480
10"	☎	☎	NW12	5501490

Size	White Nitrile Food Grade		Buna N		Neoprene	
	Part Name	Item #	Part Name	Item #	Part Name	Item #
3/4"	☎	☎	B07ASY	5504207	☎	☎
1"	☎	☎	B10ASY	5504210	☎	☎
1-1/2"	☎	☎	B15ASY	5504215	☎	☎
2"	☎	☎	B20ASY	5504220	☎	☎
3"	W30ASY	5504630	B30ASY	5504230	N30ASY	5504430
4"	W40ASY	5504640	B40ASY	5504240	N40ASY	5504440
5"	W50ASY	5504650	B50ASY	5504250	N50ASY	5504450
6"	W60ASY	5504660	B60ASY	5504260	N60ASY	5504460
8"	☎	☎	B80ASY	5504280	☎	☎



A locking system that secures your couplings. Prevents tampering of cam & groove couplings. Made of 12 Gauge 316 Stainless Steel for strength & corrosion resistance. Prevents removal of coupler cam pins by concealing coupler cam pin area. Can be used for lockout/tagout system. Tag hole size .20" Lock hole size .32"

SECURE-LOK™

Made in the U.S.A.

		Stainless Steel	Carbon Steel
Size	Part Name	Item #	Item #
2"	SECURE-LOK™ 20	5007020	
3"	SECURE-LOK™ 30	5007030	
4"	SECURE-LOK™ 40	5007740	



		SS Chain W/SS Hooks	SS Chain W/SS Rings
Length	Part Name	Item #	Item #
6"	S56	5101060A	5101061A
8"	S51	5101080A	5101081A
12"	S52	5101092A	5101093A

SECURITY CHAINS FOR DUST CAPS & DUST PLUGS

Made in the U.S.A.



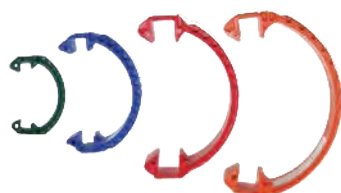
		Brass Chain W/SS Hooks	Brass Chain W/Zinc Rings
Length	Part Name	Item #	Item #
6"	C51	5100560A	5100560B
12"	C52	5100592A	5100592A

Length	Width	Part Name	Item #	Description
12"	1"	CAM STRAP 112	700001	Fits up to 1-1/2" couplings
18"	2"	CAM STRAP 218	700002	Fits up to 3" couplings
24"	2"	CAM STRAP 224	700004	Fits up to 5" couplings
36"	3"	CAM STRAP 236	700003	Fits up to 8" couplings

HOOK & LOOP FASTENER CAM STRAPS



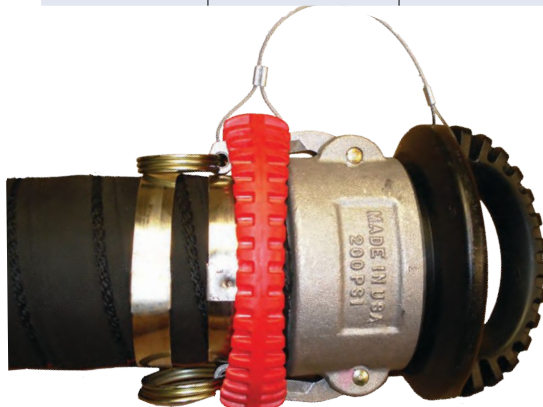
Accessories & Replacement Parts - SECURE-LOK™



Size	Part Name	Item #
1"	10SBL	77041
2"	20SBL	77015
3"	30SBL	77013
4"	40SBL	77014

SAFETY LOCK™

Eliminate Spills. Visually Confirm Ear Locking. Safety Lock™ is an alternative product to the Hook & Loop Fastener Straps with an easy-to-install and easy-to-remove, heavy duty "clip" that clicks into place over the ears.





STANDARD CAM ASSEMBLY HB-HBS-HS

1 cam arm, 1 ring & 1 pin



	Brass		*300 Series Stainless Steel		**316 Stainless Steel	
Coupler Size	Part Name	Item #	Part Name	Item #	Part Name	Item #
1/2 & 3/4"	HB10	5000505A	HBS10	5001505A	HS10	5001005A
1"	HB11	5000510A	HBS11	5001510A	HS11	5001010A
1-1/4"	HB12	5000512A	HBS12	5001512A	HS12	5001012A
1-1/2"	HB15	5000515A	HBS15	5001515A	HS15	5001015A
2 & 2-1/2"	HB20/25	5000520A	HBS20/25	5001520A	HS20/25	5001020A
The above assemblies include (1) cam arm, (1) ring and (1) pin						
3, 4, & 5"	HB30/40/50	5000530A	HBS30/40/50	5001530A	HS30/40/50	5001030A
The above assembly includes (1) cam arm, (1) ring and (1) 2" long pin						
3, 4, & 5"	HBV/30/40/50	5000630A	HBSV30/40/50	5001730A	☎	☎
The above assembly includes (1) cam arm, (1) ring and (1) 1-5/8" pin						
6, 8, 10, & 12"	HB60/80	5000560A	HBS60/80	5001560A	HS60/80	5001060A
10 & 12"	HB100	5000590A	HBS100	☎	HS100	☎
The above assembly includes (1) cam arm, (1) ring and (1) pin						

*All cams, assemblies, rings and pins are 300 series Stainless Steel

**All cams, assemblies, rings and pins are 316 Stainless Steel

STANDARD CAM ASSEMBLY SETS HB-HBS

2 cam arms, 2 rings, & 2 pins



	Brass		*300 Series Stainless Steel	
Coupler Size	Part Name	Item #	Part Name	Item #
1/2 & 3/4"	HB10	5000505S	HBS10	5001505S
1"	HB11	5000510S	HBS11	5001510S
1-1/4"	HB12	5000512S	HBS12	5001512S
1-1/2"	HB15	5000515S	HBS15	5001515S
2 & 2-1/2"	HB20/25	5000520S	HBS20/25	5001520S
3, 4, & 5"	HB30/40/50	5000530S	HBS30/40/50	5001530S
6, 8, 10 & 12"	HB60/80	5000560S	HBS60/80	☎

*All cams, assemblies, rings and pins are 300 series Stainless Steel.

STA-LOK® II CAM ASSEMBLY

1 CAM ARM, PIN, PULL RING & LOCK PLATE



STA-LOK® II is a passive locking feature that automatically locks the handle into place, if it is fully closed. To open the handles there are manual quick release levers. Proper use of this mechanism can help prevent spills by keeping the cam arms from opening under adverse conditions, such as high vibrations, pulsing, wear and hazardous materials. **STA-LOK® II couplers meet the Coast Guard ASTM 1122-87 specifications for Quick Disconnect Couplers.**

	Brass		***316 Stainless Steel	
Coupler Size	Part Name	Item #	Part Name	Item #
1"	SLB11	5006010A	SLS11	5009010A
1-1/4"	SLB12	5006012A	SLS12	5009012A
1-1/2"	SLB15	5006015A	SLS15	5009015A
2 & 2-1/2"	SLB20	5006020A	SLS20	5009020A
3, 4, & 5"	SLB30	5006030A	SLS30	5009030A
6, 8, 10 & 12"	SLB60	5006060A	SLS60	5009060A

***All cams arms are 316 Stainless Steel, rings and pins are 300 series Stainless Steel.

Call for special quote on 316 Stainless Steel components



Coupler Size	Brass		Stainless Steel	
	Part Name	Item #	Part Name	Item #
3,4, & 5"	PX34	5002530A	PXS30	5042530A
6,8,10 & 12"	PX60	5002560A		

All paddle handle assembly pins are 300 series Stainless Steel
All cams are made for use on PT Coupling couplers only.

PX
PADDLE HANDLE
ASSEMBLY
Includes 1 paddle handle &
1 pin.



Coupler Size	Brass		Stainless Steel	
	Part Name	Item #	Part Name	Item #
2 & 2-1/2"	SLBPX20	5006320A	SLSPX20	5009320A
3,4, & 5"	SLBPX30	5006330A	SLSPX30	5009331A

All paddle handle assembly pins are 300 series Stainless Steel.
All cams are made for use on PT Coupling couplers only.

SLPX
LOCKING CAM PADDLE
HANDLE ASSEMBLY
Includes locking paddle
handle cam arm, 1 pin and
1 lock plate.pin



Coupler Size	Brass		Stainless Steel	
	Part Name	Item #	Part Name	Item #
2"	20XL	5003520A	20XL	5004020A
2-1/2"	25XL	5003525A	25XL	
3" & 4"	30/40XL	5003530A	30/40XL	5004030A
5"	50XL	5003550A		
6"	60XL	5003560A		

316 Stainless Steel cam arms come standard with 300 series pin and ring.
*Pull rings are not included in the 3, 4, 5, and 6 inch Brass XL Locking Cam Assembly
All cams are made for use on PT Coupling couplers only.

XL
LOCKING CAM
ASSEMBLY FOR
VL DUST CAP
Made in the U.S.A.



Size	Stainless Steel	Zinc Plated Steel
	Item #	Item #
1/2" - 2-1/2" Small Rings	5201005	5201505
3" - 12" Large Rings	5201030	5201530

PULL RINGS
SOLD PER PIECE
Made in the U.S.A.



Coupler Size	Stainless Steel	Zinc Plated Steel
	Item #	Item #
3/4"	5301007	
1"	5301010	
1-1/4"	5301012	
1-1/2"	5301015	5301515
2 & 2-1/2"	5301020	5301520
3,4, & 5"	5301030	5301530
6,8,10 & 12"	5301060	5301560

CAM PINS
SOLD PER PIECE
Made in the U.S.A.





SAFETY BUMP® SBF

Made in the U.S.A.



Safety Bump® an alternative choice to the traditional cam and groove caps and plugs, providing a comfortable handle for the driver's hand and a "bump" that extends beyond the hose fittings and ears, protecting them from damage. **Safety Bump® is not rated for Pressure.**

		Polypropylene (Blue)	Anti-Static Poly (Black)	Food Grade Poly (White)
Size	Part Name	Item #	Item #	Item #
2"	20SBF	77021	77003	77004
3"	30SBF	77023	77007	77008
4"	40SBF	77025	77011	77012

		Aluminum/HB	Aluminum/HBS	Aluminum/SLB
Size	Part Name	Item#	Item#	Item#
2"	20SBF	77042	☎	77031
3"	30SBF	77039	☎	77028
4"	40SBF	77033	77034	77026

STA-LOK® II cams are only available for Aluminum Safety Bump®.
Custom logo is available upon request. Please call for quote.

SAFETY BUMP® SBM

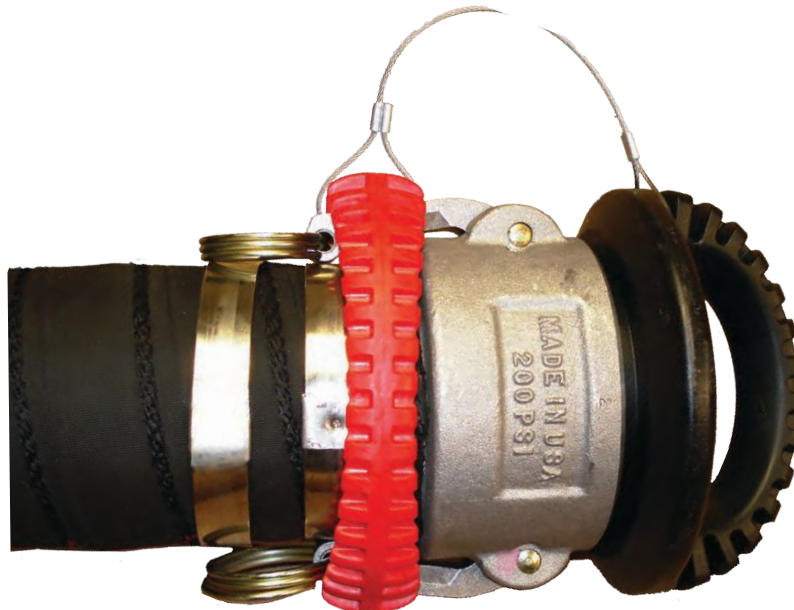
Made in the U.S.A.



		Polypropylene (Blue)	Anti-Static Poly (Black)	Food Grade Poly (White)	Aluminum
Size	Part Name	Item #	Item #	Item #	Item #
2"	20SBM	77020	77001	77002	77032
3"	30SBM	77022	77005	77006	77029
4"	40SBM	77024	77009	77010	77027

Custom logo is available upon request. Please call for quote.

Maximum Temperature: 150°
Minimum Temperature: -15°





		Aluminum/HBS	Aluminum/HB
Size	Part Name	Item #	Item #
4"	40SBC Alum	77037	
4"	*40SBCUS Alum	77035	77040

*Undersized shank

SAFETY BUMP®
ALUMINUM C
Made in the U.S.A.



		Aluminum
Size	Part Name	Item #
4"	40SBE Alum	77038
4"	*40SBEUS Alum	77036

SAFETY BUMP®
ALUMINUM E
Made in the U.S.A.



		Polypropylene	Food Grade Poly	Stainless Steel
Size	Part Name	Item #	Item #	Item #
2"	20SBT T-Lock Cam	77016	77017	
3 - 4"	30SBT T-Lock Cam	77018	77019	77030

SAFETY BUMP®
T-Lock Cam Arms

Made in the U.S.A.

Polypropylene & Food Grade Polypropylene T-Locks are sold in packs of 10, cams only.

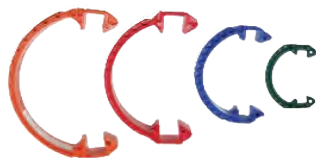


Stainless Steel T-Lock Assembly, 1 cam arm & 1 pin

Safety Bump™ Aluminum C's & E's and Safety Locks™

Safety Lock™ . . . Eliminate Spills. Visually Confirm Ear Locking

Safety Lock™ is an alternative product to the Hook & Loop Fastener Straps with an easy-to-install and easy-to-remove, heavy duty "clip" that clicks into place over the ears.



Size	Part Name	Item #
1"	10SBL	77041
2"	20SBL	77015
3"	30SBL	77013
4"	40SBL	77014

SAFETY LOCK™

Heavy duty cam arm clip

Made in the U.S.A.





GSHD2
Victaulic® Groove X
HD2 Shank
Made in the U.S.A.



		Aluminum
Size	Part Name	Item #
6"	60GSHD2	85640600H2
8"	80GSHD2	85640800H2
10"	100GSHD2	85641000H2
12"	120GSHD2	85641200H2

- 6" and 8" fittings are rated at 200 PSI
- 10" & 12" fittings are rated at 150 PSI

PTHM
PT Hose mender
HD2 shank X HD2
shank
Made in the U.S.A.



		Aluminum
Size	Part Name	Item #
6"	PTHM600HD2	85660600H
8"	PTHM800HD2	856608001
10"	PTHM1000HD2	856610001
12"	PTHM1200HD2	856612001

- 6" and 8" fittings are rated at 200 PSI
- 10" & 12" fittings are rated at 150 PSI

HD2
HD2 Segmented Bolt
Clamp
Made in the U.S.A.



		Aluminum
Size	Part Name	Item #
6"	60HD2 Clamp Assembly	50561
8"	80HD2 Clamp Assembly	50510
10"	100HD2 Clamp Assembly	50511
12"	120HD2 Clamp Assembly	50524

- 6" Clamp has 3 sections
- 8" & 10" Clamps have 4 sections
- 12" Clamps have 5 sections

CSHD2
Crimp Sleeve
Made in the U.S.A.



		Aluminum
Size	Part Name	Item #
8"	80CSHD2AL	50525
10"	100CSHD2AL	50530

CHD2
Heavy Duty
Made in the U.S.A.



		Aluminum
Size	Part Name	Item #
6"	60CHD2	1000362H

- Cam & Groove fittings are rated at 150 PSI

EHD2
Heavy Duty
Made in the U.S.A.



		Aluminum
Size	Part Name	Item #
6"	60EHD2	1000562H

- Cam & Groove fittings are rated at 150 PSI

C US
Undersized shank with Bands
Made in the U.S.A.



		Aluminum
Size	Part Name	Item #
4"	40CUS AL w/Bands	1000341

- Cam & Groove fittings are rated at 150 PSI
- For use with Punch-Lok® center punch clamps

E US
Undersized shank with bands
Made in the U.S.A.



		Aluminum
Size	Part Name	Item #
4"	40EUS AL w/Bands	1000541HS

- Cam & Groove fittings are rated at 150 PSI
- For use with Punch-Lok® center punch clamps

PT COUPLING COMPANY's new HD2 fluid transfer system offers a quick and economical way to use lay-flat hose in the transfer of fluid. These aluminum products utilized Victaulic® groove connections and HD2 hose shanks. The lay-flat hose is connected to the HD2 bodies by use of segmented bolt clamps or grooved crimp sleeves. HD2 System parts are available in 6 inch through 12 inch sizes.

PT USA has developed new fittings for 6", 8", 10" & 12" lay-flat hose to be used in the fracking industry for water delivery:

- Fittings are field serviceable
- Custom anodizing, powder coating, PT z-COR, and Electroless Nickel available.



GSHD2 Assembly with HD2 Clamp



Cross-Cut GSHD2 Assembly with HD2 Clamp



PTHM Assembly with HD2 Clamps



Adapter X Flange		Aluminum	Brass	Stainless Steel
Size	Part Name	Item #	Item #	Item #
2"	TTF20A	60562000	☎	☎
2" x 3"	TTF20X30A	60562030	☎	☎
2" x 4"	TTF20X40A	60562040	☎	☎
2-1/2"	TTF25A	☎	62562500	☎
3"	TTF30A	60563000	62563000	64563000
3" x 4"	TTF30X40A	60563040	62563040	64563040*
4"	TTF40A	60564000	62564000	64564000
4" X 6"	TTF40X60A	60564060*	☎	☎
5"	TTF50A	☎	☎	64565000
6"	TTF60A	60566000	62566000	64566000
6" X 4"	TTF60X40A	60566040	☎	☎

*Denotes parts are produced as welded fabrication.

Adapter X Flange		Ductile Iron	Hard Coat Alum
Size	Part Name	Item #	Item #
2"	TTF20A	☎	☎
2" x 3"	TTF20X30A	☎	☎
3"	TTF30A	68563000	70563000
3" x 4"	TTF30X40A	☎	☎
4"	TTF40A	68564000	70564000
6"	TTF60A	☎	70566000

Coupler X Flange		Aluminum HBS	Aluminum HB	Brass	Stainless Steel
Size	Part Name	Item #	Item #	Item #	Item #
2"	TTF20C	60582000	☎	☎	☎
2" X 3"	TTF20X30C	60582030*	☎	☎	☎
2-1/2"	TTF25C	☎	☎	62582500	64582500
3"	TTF30C	60583000	6058000074	62583000	64583000
3" x 4"	TTF30X40C	60583040	6058000075	62583040	☎
4"	TTF40C	60584000	6058000076	62584000	64584000
4" x 3"	TTF40X30C	60584030*	☎	☎	☎
6"	TTF60C	☎	60586000	62586000	64586000
6	TTF60CHD	☎	6058600H	☎	
6" X 4"	TTF60X40C	☎	60586040	☎	☎
8"	TTF80C	☎	60588000	☎	☎

		Ductile Iron	Hard Coat Alum
Size	Part Name	Item #	Item #
2"	TTF20C	☎	☎
3"	TTF30C	68583000	☎
3" x 4"	TTF30X40C	☎	☎
4"	TTF40C	68584000	70584000
6"	TTF60C	68586000	☎

TTFA ADAPTER X TTMA FLANGE

Made in the U.S.A.



Tank Truck Flanges conform to (TTMA) Truck Trailer Manufacturers Assoc. standards.

Adapter X TTMA Flange line drawings & dimensions are on page 169.

PSI chart on page 158.

TTFC COUPLER X TTMA FLANGE

Made in the U.S.A.



Also available with STA-LOK® II cam arms.

Please call for special quote on cam arm and components in 316 Stainless Steel.

Coupler X TTMA Flange line drawings & dimensions are on page 169.

PSI chart on page 158.



**MOUNT PLUG
ADAPTER X FLANGE**
Made in the U.S.A.



Size	Part Name	Item #
2"	20W Mount Plug Aluminum	10012201
3"	30W Mount Plug Aluminum	10012301
4"	40W Mount Plug Aluminum	10012401

- Weldable
- Pre-drilled holes

Tank Truck Flanges conform to (TTMA) Truck Trailer Manufacturers Assoc. standards.

**TTFA-22.5°
ADAPTER X TTMA
FLANGE 22.5°**
Made in the U.S.A.



Adapter X Flange		Aluminum	Hard Coat Alum
Size	Part Name	Item #	Item #
4"	TTF40A-22.5	6056400022	
6"	TTF60AHD-22.5	6056600022	

**TTFC-22.5°
COUPLER X TTMA
FLANGE 22.5°**
Made in the U.S.A.



Coupler X Flange		Aluminum	Hard Coat Alum
Size	Part Name	Item #	Item #
4"	TTF40C-22.5	6058400022	
4"	TTF40C-22.5 w/brass paddle handle	605840022P	
4"	TTF40C-22.5 w/stainless steel paddle handle		

**TTFT
TTMA FLANGE TEE**
Made in the U.S.A.



		Aluminum	Hard Coat Alum
Size	Part Name	Item #	Item #
3"	TTF30T	60573000	
4"	TTF40T	60574000	70574000
6"	TTF60T	60576000	

**TTYF
TTMA FLANGE Y**
Made in the U.S.A.



		Aluminum	Stainless Steel
Size	Part Name	Item #	Item #
4"	TTYF40Y	60594000	64594000
6"	TTYF60Y	60596000	



Aluminum		
Size	Part Name	Item #
3"	TTF30NPTM	60513000
4"	TTF40NPTM	60514000
6"	TTF60NPTM	60516000

		Aluminum	Stainless Steel
Size	Part Name	Item #	Item #
3"	TTF30NPTF	60553000	64553000
4"	TTF40NPTF	60554000	☎

Aluminum		
Size	Part Name	Item #
4"	TTF40WF	60564000WF

Aluminum		
Size	Part Name	Item #
3"	TTF30WB	60513000WB
4"	TTF40WB	60604024
6"	TTF60WB	60516000WB

		Aluminum	Stainless Steel
Size	Part Name	Item #	Item #
3"	TTF30VG	60513000VG	☎
4"	TTF40VG	60514000VG	☎
6"	TTF60VG	☎	64516000VG

Tank Truck Flanges conform to (TTMA) Truck Trailer Manufacturers Assoc. standards.

Part Name	Item #
Cork/Buna 3" TTF30G	5503830
Cork/Buna 4" TTF40G	5503840
Cork/Buna 6" TTF60G	5503860
Neoprene 4" TTF40G	5503841
BioFuel TTF30G	5503842
BioFuel TTF40G	5503843

TTFNPTM
MALE NPT THREAD X
TTMA FLANGE
Made in the U.S.A.



TTFNPTF
FEMALE NPT THREAD X
TTMA FLANGE
Made in the U.S.A.



TTFWF
SOCKET WELD X
TTMA FLANGE
Made in the U.S.A.



TTFWB
BUTT WELD FOR
SCH 40 PIPE X TTMA
FLANGE
Made in the U.S.A.



TTFVG
SINGLE GROOVE X
TTMA FLANGE
Made in the U.S.A.



**TANK TRUCK
FLANGE GASKET**
Made in the U.S.A.





TTFSG
ACRYLIC SIGHT GLASS

Made in the U.S.A.

*Maximum temperature for ALL acrylic sight glass is 175°

**Maximum Pressure Rating 150#



	Acrylic	
Size	Part Name	Item #
3"	TTF30SG	86005630
4"	TTF40SG	86005640

TTFSGE
ACRYLIC CROWN EDGE
BIO-FUEL SIGHT GLASS

Made in the U.S.A.



	Acrylic Crown Edge Bio-Fuel Resistant	
Size	Part Name	Item #
3"	TTF30SGE	86005630E
4"	TTF40SGE	86005640E

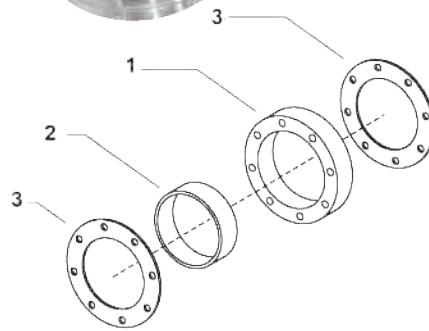
Crown Edge Bio-Fuel Resistant is Compatible with E10, E85, and 100% Ethanol; B-20, B100 Bio-diesel; and ultra low sulphur diesel. (ULSD)

BSGV-
BIOFUELSIGHTGLASS
ACRYLIC SIGHT GLASS
WITH INTERNAL
EMBEDDEDGLASSTUBE.

Made in Brazil



	Biofuel Sight Glass	
Size	Part Name	Item #
4"	40BSGV	860056401



Ref #	Components	Quantity
1	acrylic sight glass	1
2	glass tube	1
3	gasket	2

TTFWG
SIGHT GLASS SHORT
TTMA FLANGE
(SHORT)

Made in the U.S.A.



	Aluminum	
Size	Part Name	Item #
4"	TTF40WG	60584400S

Overall length is 1.7 inches.

TTF40WSG
REPLACEMENT
PARTS

Made in the U.S.A.



	Short Sight Glass Kit	
Size	Part Name	Item #
4"	TTF40WSG/ACRYLIC	60584420

SHORT SIGHT GLASS KIT contains acrylic sight glass & all elastomer components

TTFWS
SIGHT GLASS LONG
TTMA FLANGE

Made in the U.S.A.



Size	Part Name	Item #
4"	TTF40WS/ACRYLIC	60584400
4"	TTF40WS/GLASS	605844002

Overall length is 3.3 inches.

TTF40WS-1
REPLACEMENT PARTS

Made in the U.S.A.



	Long Sight Glass Kit	
Size	Part Name	Item #
4"	TTF40WS-1	60584410

LONG SIGHT GLASS KIT contains acrylic sight glass & all elastomer components. Glass kit available upon request.

Please go to www.ptcoupling.com/technical-information.html for installation instructions.



TF30x40AF
3" adapter x 4" flange



TF40CF
4" coupler x 4" flange



TF30x40CF
3" coupler x 4" flange



TF40TF
4" female NPT thread
x 4" flange



TF30x40TF
3" female NPT thread
x 4" flange

Complete Assembly	
Item #	Description
86004100	UTF40 w/TF40AF Adapter
86004200	UTF40 Short Tightfill
86004130S	UTF40SHORT W/TF30X40AF Adapter
86004140S	UTF40 SHORT W/TF40CF Coupler
86004130A	UTF40 W/TF30X40AF Adapter
86004140C	UTF40 W/TF40CF Coupler
86004130C	UTF40 W/TF30X40CF Coupler
86004140T	UTF40 W/TF40X40TF Flange
86004130T	UTF40 W/TF30X40TF Flange
86004300	UTF40 ANTI-SPILL ASSY
86004230AA	UTF40S ANTISPIL TF30X40A
86004230AC	UTF40S ANTISPIL TF30X40CF
Optional Parts	
Item #	Description
86133040	TF30X40AF ALUM
86383040	TF30X40CF ALUM
86384000	TF40CF ALUM
86393040	TF30X40TF THRDXTFLNG ALUM
86394000	TF40TF ALUM
86004401	Anti-Spill Tube Assembly



Anti-Spill Tube

Features/Benefits

1. Handle does not require a locking feature (cams over center).
2. Adjustable linkage, (linkage can be adjusted in the field, for older worn adapters).
3. Brass Cams are solid (no rollers).
4. All PT elbows have interchangeable Cam Arm Assembly Kits
5. Half the moving/replacement parts, lightest weight in the industry.
 - UTF40 13.5 lbs.
 - UTF40 Short 11.5 lbs.

UTF40 TIGHT FILL ELBOW

Made in the U.S.A.



Optional parts may be substituted or added.

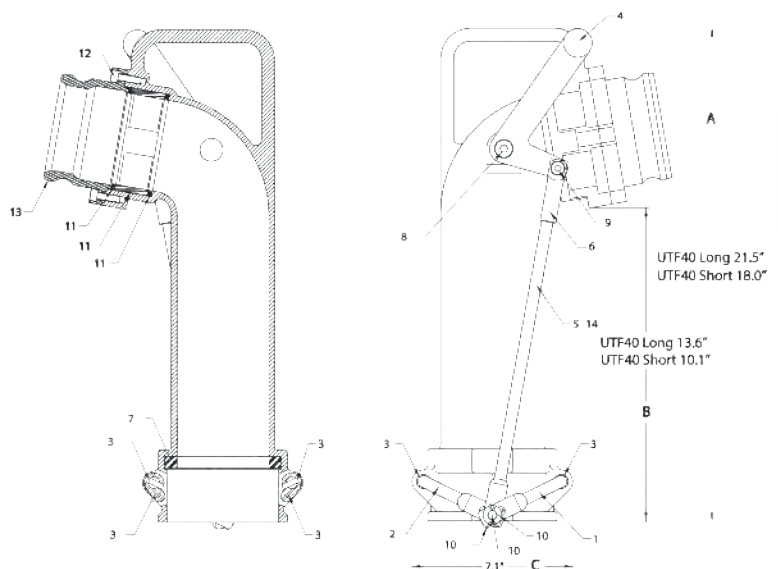
*Order Cap Screw Kit to attach connector end.

** Anti-Spill Tube Assembly only available for UTF40 Short

UTF40 REPAIR PARTS LIST

Made in the U.S.A.

Ref #	Item #	Description
1	86004101	UTF40 Cam Arm Right
2	86004102	UTF40 Cam Arm Left
3	86004120	UTF40 Cam Assembly Kit
4	86004104	Actuation Lever
5	86004124	UTF Connecting Link Kit
5 (Short)	86004125	UTF Short Connecting Link Kit
6	86004106	Actuation Rod End
7	86004002	1/2" Thick Fuel Gasket
8	86004108	Actuation Lever Bolt
9	86004109	Rod End Shoulder Bolt
10	86004121	UTF Connecting Link Pin Kit
11	86004123	UTF/UVR Sight Glas Kit
12	86004122	UTF/UVR Cap Screw Kit
13	86004014	TF40AF Adapter
14	86004105	Connecting Link
14 (Short)	86004114	UTF40S Short Connecting Link





UVR300
VAPOR ELBOW
Made in the U.S.A.



COMPLETE ASSEMBLY	
Item #	Description
86003100	UVR300 Complete Assembly
86003200	UVR300 Complete Assembly Short

OPTIONAL PARTS	
Item #	Description
1000630	30F Aluminum
60164030	40X30F Adapter



30 F Aluminum



40x30F Adapter

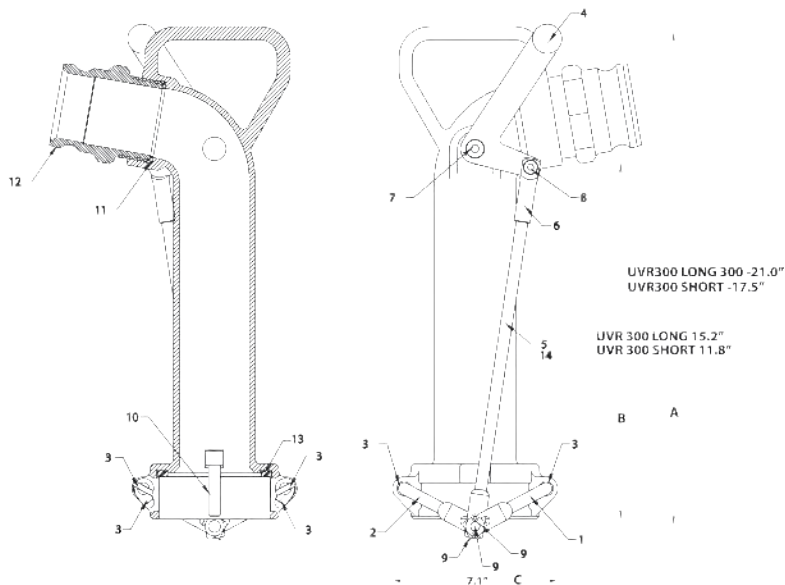
30F Alum Adapter included.

Optional parts may be substituted or added. Contact your PT Warehouse for price and availability.

UVR300
REPAIR PARTS LIST
Made in the U.S.A.

Features/Benefits

1. Handle does not require a locking feature (cams over center)
2. Adjustable linkage (linkage can be adjusted in the field, for older worn adapters)
3. Brass Cams are solid (no rollers)
4. Available in two heights.
5. 30F included (female straight threads w/ gasket.)
6. Half the moving/replacement parts, lightest weight in the industry.
 - UVR300 11.5 lb.
 - UVR300 Short 11.00 lb.



Ref #	Item #	Description
1	86004101	UTF40 Cam Arm Right
2	86004102	UTF40 Cam Arm Left
3	86004120	UTF40 Cam Assembly Kit
4	86004104	UT Actuation Lever
5	86004124	UTF Connecting Link Kit
6	86004106	UTF Actuation Rod End
7	86004108	Actuation Lever Bolt
8	86004109	Rod End Shoulder Bolt
9	86004121	UTF Connecting Link Pin Kit
10	87224030-2	CSP-2 Push Rod
11	5504230	B30ASY Buna Fuel Gasket
12	1000630	30F Aluminum
13	5500240F	BO8F Buna Fuel Gasket
14 (Short)	86004125	UTF Short Cconnecting Link Kit
	86004105	UTF Connecting Link
	86004114	UTFS Short Connecting Link



TF30x40AF
3" adapter x 4" flange



TF40CF
4" coupler x 4" flange



TF30x40CF
3" coupler x 4" flange



TF40TF
4" female NPT thread
x 4" flange

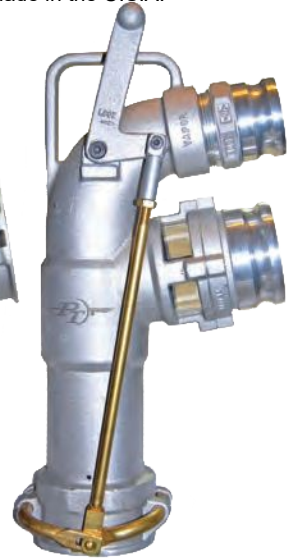


TF30x40TF
3" female NPT thread
x 4" flange

Complete Assembly	
Item #	Description
88000400	VR400A with 4" Adapter
88000440	VR400A with TTF40CF
88000430A	VR400A with TF30X40AF ALUM
Optional Parts	
Item #	Description
86133040	TF30X40AF ALUM
86383040	TF30X40CF ALUM
86384000	TF40CF ALUM
86393040	TF30X40TF THRDxFLNG ALUM
86394000	TF40TF ALUM



VR400A
with 4" Tank Truck Flange
X Coupler TF40CF



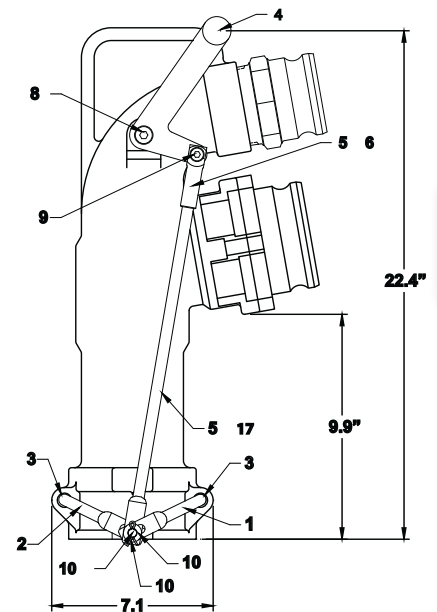
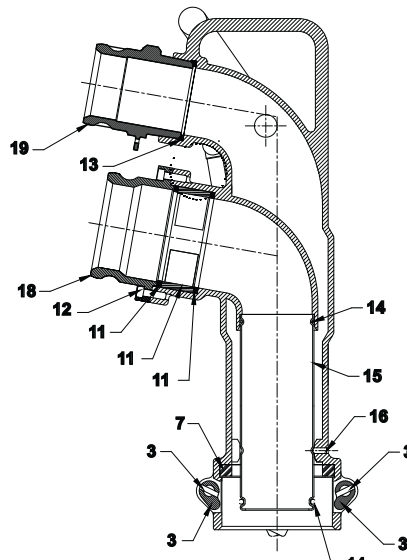
VR400A with
4" Adapter

VR400A
COAXIAL DELIVERY
ELBOW-VAPOR ON TOP
PRODUCT ON BOTTOM
Made in the U.S.A.

Features/Benefits

1. Handle does not require a locking feature (cams over center).
2. Adjustable linkage, (linkage can be adjusted in the field, for older worn adapters).
3. Brass Cams are solid (no rollers).
4. Optional Parts (TF30x40AF,
5. All PT elbows have interchangeable Cam Arm Assembly Kits
6. Half the moving/replacement parts, lightest weight in the industry.
 - Weight: VR400A 17.7 lb

Ref #	Item #	Description
1	86004101	UTF40 Cam Arm - Right
2	86004102	UTF40 Cam Arm - Left
3	86004120	UTF40 Cam Assembly Kit
4	86004104	Actuation Lever
5	88004004	VR400A Connecting Link Kit
6	86004106	Actuation Rod End
7	86004002	1/2" Thick Fuel Gasket
8	86004108	Actuation Lever Bolt
9	86004109	Rod End Shoulder Bolt
10	86004121	UTF Connecting Link Pin Kit
11	86004123	Sight Glass Kit
12	86004122	Capscrew Kit
13	5504230	B30ASY Buna Fuel Resistant Gasket
14	88000420	VR400A Tube Seal Kit
15	88000406	VR400A Tube
16	88000424	VR 424 Set Screw
17	88004003	UVR400 Connecting Link
18	86004014	TF40AF Alum Adapter
19	1000630	30F Alum Adapter



VR400A
REPAIR PARTS LIST
Made in the U.S.A.



UVR 400
COAXIAL DELIVERY
ELBOW-PRODUCT
ON TOP VAPOR
ON BOTTOM

Made in the U.S.A.



30F Aluminum Adapter
included.

COMPLETE ASSEMBLY STANDARD	
Item #	Description Standard
88004000	UVR400 with 4" adapter

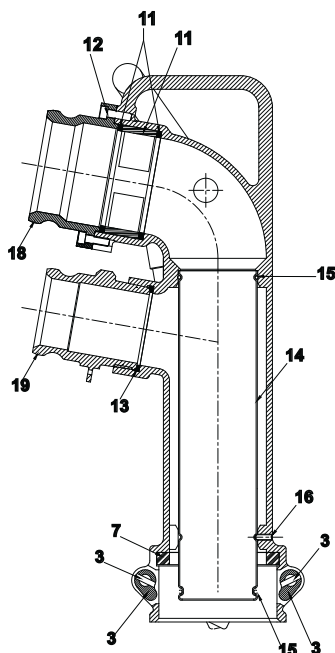
COMPLETE ASSEMBLY OPTIONAL	
Item #	Description
88004040C	UVR400 with 4" coupler
88004030A	UVR400 with 3" adapter
88004030C	UVR400 with 3" coupler

Features/Benefits

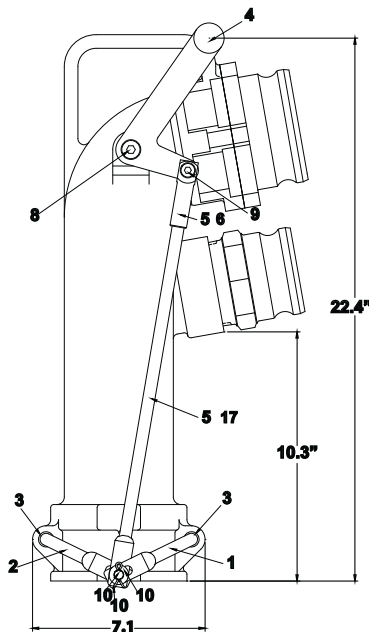
1. Handle does not require a locking feature (cams over center).
2. Adjustable linkage, (linkage can be adjusted in the field, for older worn adapters).
3. Brass Cams are solid (no rollers).
4. Optional Parts (TF30x40AF, TF40CF, TF30x40CF, TF40TF, TF30x40TF) See page 83.
5. All PT elbows have interchangeable Cam Arm Assembly Kits
6. Half the moving/replacement parts, lightest weight in the industry.
7. Weight: UVR400 16.8 lb

UVR 400
REPAIR PARTS LIST

Made in the U.S.A.



WEIGHT = 16.8 LBS.



Ref #	Item #	Description
1	86004101	UTF40 Cam Arm - Right
2	86004102	UTF40 Cam Arm - Left
3	86004120	UTF40 Cam Assembly Kit
4	86004104	Actuation Lever Alum
5	88004004	UVR400A Connecting Link Kit
6	86004106	Actuation Rod End
7	86004002	1/2" Thick Fuel Gasket
8	86004108	Actuation Lever Bolt
9	86004109	Rod End Shoulder Bolt
10	86004121	UTF Connecting Link Pin Kit
11	86004123	UTF/UVR Sight Glass
12	86004122	UTF/UVR Capscrew
13	5504230	B30ASY Buna Fuel Resistant Gasket
14	88004002	UVR400 Tube
15	88000420	UVR400 Tube Seal Kit
16	88000424	VR 424 Set Screw
17	88004003	UVR Connecting Link
18	86004014	TF40AF Alum Adapter
19	1000630	30F Alum Adapter



	Description
89004300	without Sight Glass
89004400	with Sight Glass

API GRAVITY VALVE
 API ADAPTER X
 TTMA FLANGE
 Sight glass, Openable Valve
 Swivel Adapter
 Made in the U.S.A.



Features/Benefits

1. Brass adapter area swivels to reduce wear in cam arm connections.
2. Flat bottom for full drainage
3. Visual site glass optional

Item #	Description
89004500	without Sight Glass
89004600	with Sight Glass

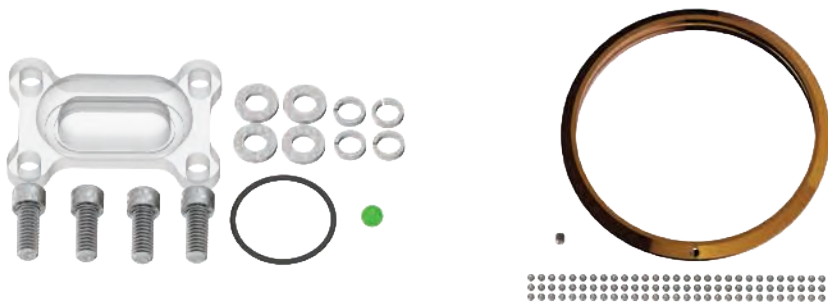
API GRAVITY VALVE
 API ADAPTER X
 TTMA FLANGE
 Sight glass,
 Non-openable Valve
 Swivel Adapter
 Made in the U.S.A.



Item #	Description
89004419	API Sight Glass Replacement Kit
89004466	API Adapter Ring Kit

API REPLACEMENT KIT
 Sight glass includes:
 Sight Glass, 4 bolts, 4
 washers, 4 lock washers,
 O-Ring, and float.

Ring Kit includes:
 Set Screw, Brass Ring, Ball
 Bearings.
 Made in the U.S.A.





DA
API COUPLER X
ADAPTER
Made in the U.S.A.



DC
API COUPLER X
COUPLER
Made in the U.S.A.



DA-SG
API COUPLER X
ADAPTER W/SIGHT
GLASS
Made in the U.S.A.



GV4440
API DUST CAP
Made in the U.S.A.



**API COUPLER GASKETS
& CHAINS**
REPLACEMENT GASKET
FUEL RESISTANT BUNA
CHAIN LENGTH 18 INCH

Made in the U.S.A.

Size	Part Name	Item #	Description
3"	DA-3	3603300	Drop Adapter
4"	DA-4	3604400	Drop Adapter
3"	DA-3	3603300L2	STA-LOK® II Drop Adapter Assembly.
4"	DA-4	3604400L2	STA-LOK® II Drop Adapter Assembly.

Size	Part Name	Item #	Description
3"	DC-3	3703300	Drop Coupler
4"	DC-4	3704400	Drop Coupler
3"	DC-3	3703300L2	STA-LOK® II Drop Coupler
4"	DC-4	3704400L2	STA-LOK® II Drop Coupler

Size	Part Name	Item #	Description
3"	DA-3SG	3603330	Drop Adapter w/ Sight Glass
4"	DA-4SG	3604440	Drop Adapter w/ Sight Glass
3"	DA-3SG	3603330L2	STA-LOK® II Drop Adapter Assembly
4"	DA-4SG	3604440L2	STA-LOK® II Drop Adapter Assembly
3"-4"	DA-3-4SG	3604441	Sight glass Replacement Kit

DA-SG
API COUPLER X
ADAPTER W/SIGHT
GLASS & BRASS
PADDLE HANDLE
Made in the U.S.A.
**API COUPLER
SIGHT GLASS
REPLACEMENT KIT**
O-Rings, Retaining
Ring, & Indicator
window



Item #	Description
89004440	API Dust Cap
89004440L2	STA-LOK® II API Dust Cap
89004445	Roller Cam Asby.

*Comes standard with 2 cam arms, shown with optional
Roller Cam Assembly.
Custom Logo available upon request.*

Part Name	Item #	Description
DA4-3	3604430	Gasket
DA4-17	3604480	Chains



**API COUPLER FUEL
RESISTANT GASKET**
2 Blue Stripes





		Aluminum	Brass
Size	Part Name	Item #	Item #
4"	TF40LC	86524000	86534000

For use with TFSAS, TFAS, & SSA

TFLC
TANK ADAPTER
LOCKING CAP
Made in the U.S.A.



		Brass
Size	Part Name	Item #
4"	TF40SAS W/INT.LUG	86344000B
4"	TF40SAS W/O INT.LUG	86344000SP

For use with UTF40, VR400A & UVR400.

Comes standard with a NPSH Straight Pipe Thread Buna N Gasket Fuel.
Available on page 68.

TFSAS
TANK ADAPTER
4" NPSH Straight
Thread
Made in the U.S.A.



		Aluminum	Brass
Size	Part Name	Item #	Item #
4"	TFAS	86344000A	86294000

For use with UTF40, VR400A & UVR400.

Comes standard with a NPSH Straight Pipe Thread Buna N Gasket Fuel.
Available on page 68.

TFAS
TANK FILL ADAPTER
X 4" FEMALE NPSH
STRAIGHT THREAD
Made in the U.S.A.



		Aluminum
Size	Part Name	Item #
4"	40X40SSA LEVER ASSEMBLY	5007040A
4"	40X40SSA SIDE SEAL ADAPTER	86354040

For use with UTF40, VR400A & UVR400.

Comes standard with a NPSH Straight Pipe Thread Buna N Gasket Fuel.
Available on page 68.

SSA
SIDE SEAL COUPLER
X TOP SEAL TANK
ADAPTER
Made in the U.S.A.





CSP X CSP
COUPLER WITH
PUSHROD X COUPLER
WITH PUSHROD
 Made in the U.S.A.



Size	Part Name	Item #
4"	40CSPX40CSP ALUMINUM	87104040
	CSP-3 PUSHROD BRASS	87224030-3



CSP-3 PUSHROD
 Brass
 Made in the U.S.A.

CSP X COUPLER
REDUCER
COUPLER WITH
PUSHROD X COUPLER
 Made in the U.S.A.



Size	Part Name	Item #
4" x 3"	40CSPX30C ALUMINUM	87274130
	CSP-2 PUSHROD BRASS	87224030-2



CSP-2 PUSHROD
 Brass
 Made in the U.S.A.

CXASP
COUPLER WITH
PUSHROD X ADAPTER
 Made in the U.S.A.



Size	Part Name	Item #
4" x 3"	40CX30ASP ALUMINUM	87264030SP
4"	40CX40ASP ALUMINUM	87264040SP
	CSP-2 PUSHROD BRASS	87224030-2

CSP
COUPLER WITH
PUSHROD X SHANK
 Made in the U.S.A.



Size	Part Name	Item #
3"	30CSP ALUMINUM	87103000
4"	40CSP ALUMINUM	87104000
4" x 2"	40X20CSP ALUMINUM	87104020
4" x 3"	40X30CSP ALUMINUM	87104030
	CSP-2 PUSHROD BRASS	87224030-2

CLSP
COUPLER WITH
PUSHROD X SHANK 45°
 Made in the U.S.A.



Size	Part Name	Item #
4" x 3"	40x30CLS P/45DEG	871040301



Aluminum			
Size	Part Name	Item #	Description
4" X 3"	40X30CSPVR	89010404A	40X30CSPVR ASSEMBLY
4" X 3"	40X30CSPVR w/Paddle	890104041	40X30CSPVR ALUM PADDLE

Standard hose shank design allows hose attachment via PUNCH-LOK® center punch clamps or by interlocked PROGRIP™ C-50 ferrule or sleeve.

40X30CSPVR 4" VAPOR RECOVERY COUPLER X 3" HOSE SHANK

Made in the U.S.A.



Aluminum			
Size	Part Name	Item #	Description
4"	VR40AF	89010402A	VR40AF W/O SG ASSEMBLY
4"	VR40AF	89010403A	VR40AF W/ SG ASSEMBLY

Equipped with sight glass for easy detection of accidental overfill. 3/4" NPT drain plug for easy removal of overfilled product. Drilled mounting surface for air interlock valve. Available with and without sight glass.

VR40AF 4" VAPOR RECOVERY ADAPTER X 4" TANK TRUCK FLANGE

Made in the U.S.A.



Aluminum			
Size	Part Name	Item #	Description
4"	VR40A	89004140	VR40A VAP/REC ADAPT ASSEMBLY

Drilled mounting surface for air interlock valve.

Comes standard with a NPSH Straight Thread Buna N Gasket Fuel Resistant, Available on page 70.

(For all Vapor Recovery Parts) Aluminum body with a plastic poppet O-ring seal on the poppet prevents vapor from leaking into the atmosphere. Poppet design is rebuildable without removing the hose from the fitting or the fitting from the truck. Go to www.ptcoupling.com/technical-information.html to see a breakdown of parts/assembly instructions and demonstration of disassembly.

VRA VAPOR RECOVERY ADAPTER 4" Poppet Adapter X 4" NPSH Straight Thread

Made in the U.S.A.



Part Name	Item #	Description	Separation Force
WBA34	W089007	3/4" Breakaway	325 lbs.
WBAH343	W089107	3/4" Breakaway w/ Spacer Hose	325 lbs.
WBA1	W089010	1" Breakaway	325 lbs.
WBAH11	W089110	1" Breakaway w/ Spacer Hose	325 lbs.
WBA14	W089212	1-1/4" HV Breakaway	400 lbs.
WBA15	W089215	1-1/2" HV Breakaway	400 lbs.
WBA2	W089220	2" HV Breakaway	600 lbs.
WBA3	W089230	3" HV Breakaway	1200 lbs.

WEDGON® BREAKAWAY FITTINGS* ALUMINUM (Viton® Standard)

Made in the U.S.A.



Part Name	Item #	Description
WBA34K	W085006	3/4" REPAIR KIT
WBA10K	W085010	1" Repair Kit
WBA1215K	W085015	1-1/4" and 1-1/2" Repair Kit
WBA20K	W085020	2" Repair Kit
WBA30K	W085030	3" Repair Kit



WEDGON® BREAKAWAY REPAIR KIT

Made in the U.S.A.



3/4" Breakaways are UL listed Cert. #ERBY.MH28160 and ULC listed Cert. # ERBY7.MH28160

*Not for compressed gas, propane.

Automatic Diesel



Made in the U.S.A

FUELMASTER™ DIESEL NOZZLES

The fuelmaster provides the higher flow capacity required for efficient refueling at many truck stops and terminal operations

Spout Size	Part Name	NPT Inlet	Flow Rate	Weight (LBS)	Item #
1 3/16"	FuelMaster™ Diesel Nozzle	1"	35	3.5	780042

Features:

- Provides the high flow capacity required by many truck stops and terminal operations
- Micro-touch valve provides smooth operation and exceptional flow control
- Super tough nylon hand guard and hold-open clip
- Easy to change 'locknut style' spout assembly
- Automatic shutoff
- Green scuff guard
- Pure Teflon® stem packing eliminates leaks

Safety Notes:

- These nozzles are not for use with gravity flow tanks
- Not designed for use with small 12 volt pumps, AC utility pumps, farm pumps or consumer pumps



MCD Nozzle

Made in the U.S.A



MCD'S" Nozzle

Made in the U.S.A

MCD/MCD"S"

High-Flow automatic diesel nozzle. Ideal for truck stops and fleet fueling. Offers "one-hand" hold open clip with patented safety Kicker.

The "kicker" is designed to assure the hold-open clip will always release when automatic shut-off occurs.

Spout Size	Part Name	NPT Inlet	Flow Rate	Weight (LBS)	Item #
1 3/16"	MCD Diesel Nozzle	1"	45	3.6	780043
1-3/16"	MCDS Prepay Diesel Nozzle	1"	45	3.6	780056

Features:

- Provides the high flow capacity required by many truck stops and terminal operations
- Dual poppets for easy high pressure operation
- Pure Teflon® stem packing eliminates leaks
- MCD"S" is pressure activated.
- Automatic shutoff
- Green scuff guard

Safety Notes:

- These nozzles are not for use with gravity flow tanks
- Not designed for use with small 12 volt pumps, AC utility pumps, farm pumps or consumer pumps



Made in the U.S.A

BIG MOUTH™

The lightweight Big Mouth automatic diesel nozzle provides efficient refueling and durability at an economical price. Classic rear hold-open clip.

Spout Size	Part Name	NPT Inlet	Flow Rate	Weight (LBS)	Item #
1 1/8"	Big Mouth™ Diesel Nozzle	1"	25	3	780044

Features:

- Micro-touch valve allows precise flow control
- Roto-matic latch pin provides positive auto shut-off
- Pure Teflon® stem packing eliminates leaks
- Super tough nylon hold-open clip and hand guard bend, but won't break
- Snap-on handle cover makes changing scuff guards easy
- Yellow scuff guard
- Automatic shutoff

Safety notes:

- These nozzles are not for use with gravity flow tanks
- Not designed for use with small 12 volt pumps, AC utility pumps, farm pumps or consumer pumps

All registered Trademarks are the property of their respective owners.



Farm and Consumer

The F&C automatic nozzle is designed for use with small 12 volt and AC utility pumps, as well as larger Farm & Consumer pumps. The hook is the toughest available - will always maintain its shape.

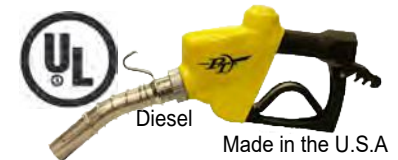
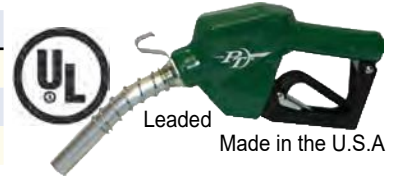
Spout Size	Part Name	NPT Inlet	Flow Rate	Weight (LBS)	Item #
13/16"	Farm and Consumer Nozzle-Unleaded	3/4"	14	2.5	780045
15/16"	Farm and Consumer Nozzle-Leaded	3/4"	14	2.5	780046
1-1/8"	Farm and Consumer Nozzle-Diesel	1"	25	3	780057

Features:

- Heavy duty, strong and more secure hook makes it easy to hang the nozzle on the pump.
- Vinyl scuff guard
- Pure Teflon[®] stem packing eliminates leaks

Safety notes:

- These nozzles are not for use with gravity flow tanks



High Flow

FUELER 100™

A heavy Duty High-Flow automatic nozzle with 1-1/2" inlet. It is tough, reliable and easy to operate. High strength aluminum casting for greater durability.

Spout Size	Part Name	NPT Inlet	Flow Rate	Weight (LBS)	Item #
1 3/8"	High Flow Fuel Nozzle/ Fueler 100™	1-1/2"	65	6.9	780047
1 3/8"	Rebuilt - High Flow Fuel Nozzle/ Fueler 100™	1-1/2"	65	6.9	780048

Features:

- High Strength aluminum body casting for greater durability
- Roto-matic latch pin for smoother auto shut off
- Pure Teflon[®] stem packing eliminates leaks
- Dual poppets for easy high pressure operation
- Grooved spout holds nozzle in the tank
- Nylon spout lock nut does not gall makes it easy to change the spout



DEF

This Hybrid Nozzle provides the performance and construction specifications required for DEF delivery without the burden of a heavy Stainless Steel Nozzle.

Spout Size	Part Name	BSP Inlet	Flow Rate	Weight (LBS)	Item #
19mm	*DEF Nozzle w/ MFD Safety Spout	3/4" BSP	14	2.5	780058
19mm	DEF Nozzle -Stainless Steel Spout	3/4" BSP	14	2.5	780059
N/A	DEF Misfueling Device	N/A	N/A	N/A	780060

Features:

- Aluminum Nozzle casting is internally and externally coated with a DuPont™ product that is impervious to DEF
- Internal components are made of Stainless Steel or Delrin[®] plastic
- Pure Teflon[®] stem packing eliminates leaks

Safety notes:

- Meets all required specifications set by ISO 2241 for DEF delivery



*DEF Misfueling Device required for DEF Nozzle w/MFD Safety Spout

Dual Plane Swivels

To provide the best surfaces for O-ring seal rotation we have inserted a precisely machined sleeve into the aluminum castings. The sleeve is made from solid brass bar stock letting the swivel turn easily and will not leak.

Male NPT Size	Part Name	NPT Inlet	Item #
3/4"	Dual Plane Swivel 3/4" x 3/4"	3/4" NPT	780061
1"	Dual Plane Swivel 1" x 3/4"	3/4" NPT	780062

Features:

- Brass male end will not gall in nozzle castings
- Dual Viton[®] O-rings seal with all fuels
- Machined Brass sleeve gives smooth seal surface - NO LEAKS





**MDA MAXI-DRY®
ADAPTER
ADAPTER X FEMALE NPT
THREAD**

Made in the U.S.A.



		Alum/Buna	Alum/Viton®	Alum/Teflon®	Alum/EPDM
Size	Part Name	Item #	Item #	Item #	Item #
1-1/2"	MD15A	40001530	40001530V	40001530T	40001530E
2"	MD20A	40000230	40000230V	40000230T	40000230E
3"	MD30A	40000330	40000330V	40000330T	40000330E
4"	MD40A	40000340	40000340V	☎	40000340E

		SS/Buna	SS/Viton®	SS/Teflon®	SS/EPDM
Size	Part Name	Item #	Item #	Item #	Item #
1-1/2"	MD15A	44001530	44001530V	44001530T	44001530E
2"	MD20A	44000230	44000230V	44000230T	44000230E
3"	MD30A	44000330	44000330V	44000330T	44000330E

**MDPFA MAXI-DRY®
PIPE FLANGE X ADAPTER**

Made in the U.S.A.



		Alum/Buna	Alum/Viton®	Alum/Teflon®
Size	Part Name	Item #	Item #	Item #
2"	MD20PFA	☎	☎	☎
3"	*MD30PFA	☎	46000330V	46000330T
4"	MD40PFA	46000400	☎	☎

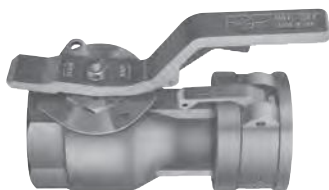
		SS/Buna	SS/Viton®	SS/Teflon®	SS/EPDM
Size	Part Name	Item #	Item #	Item #	Item #
2"	MD20PFA	47000230	47000230V	47000230T	☎
3"	*MD30PFA	47000330	☎	47000330T	☎
4"	MD40PFA	☎	☎	47000440T	☎

*Denotes parts are produced as welded fabrication.

Pipe Flange bolt pattern
conforms to ANSI B16.5
Class 150

**MDD MAXI-DRY®
COUPLER
COUPLER X FEMALE
NPT THREAD**

Made in the U.S.A.



		Alum/Buna	Alum/Viton®	Alum/Teflon®	Alum/EPDM
Size	Part Name	Item #	Item #	Item #	Item #
1-1/2"	MD15D	40001500	40001500V	40001500T	40001500E
2"	MD20D	40000200	40000200V	40000200T	40000200E
3"	MD30D	40000300	40000300V	40000300T	40000300E
4"	MD40D	40000342	40000342V	☎	☎

		SS/Buna	SS/Viton®	SS/Teflon®	SS/EPDM
Size	Part Name	Item #	Item #	Item #	Item #
1-1/2"	MD15D	44001500	44001500V	44001500T	44001500E
2"	MD20D	44000200	44000200V	44000200T	44000200E
3"	MD30D	44000300	44000300V	44000300T	44000300E
4"	MD40D	☎	44000342V	☎	☎

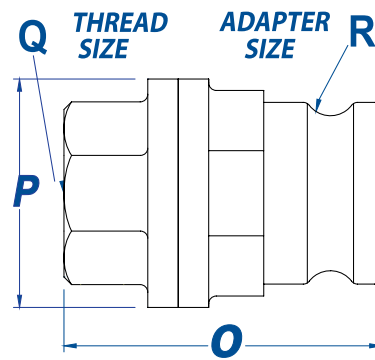
All registered trademarks are the property of their respective owners.



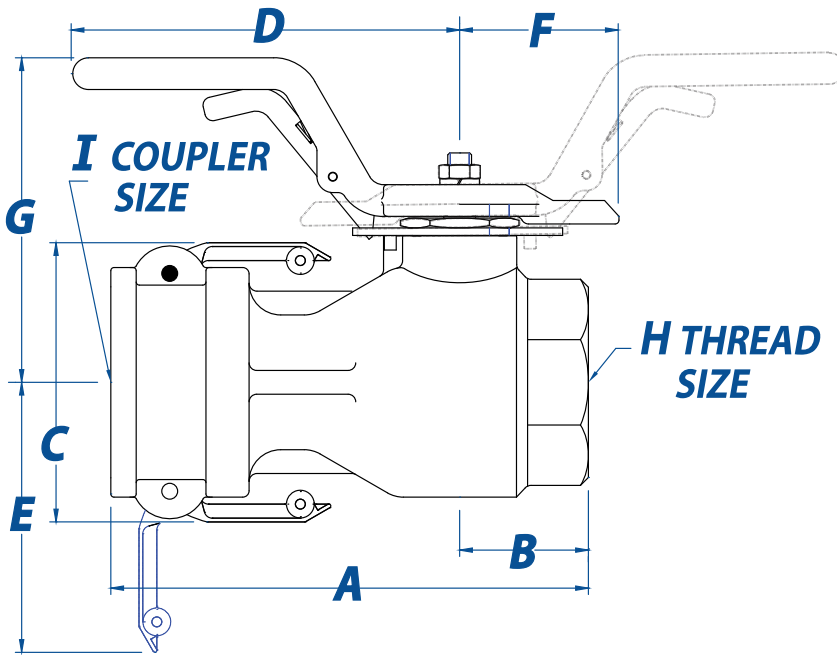
MAXI-DRY® ADAPTER

Adapter	Pressure Rating	O	P	Q	R
MD15A	200 PSI	4.3	3.2	1 1/2" NPT	2
MD20A	150 PSI	5.2	3.7	2" NPT	2.5
MD30A	125 PSI	6.8	5.6	3" NPT	4
MD40A	125 PSI	6.8	5.6	4" NPT	4

Dimensions are in inches.

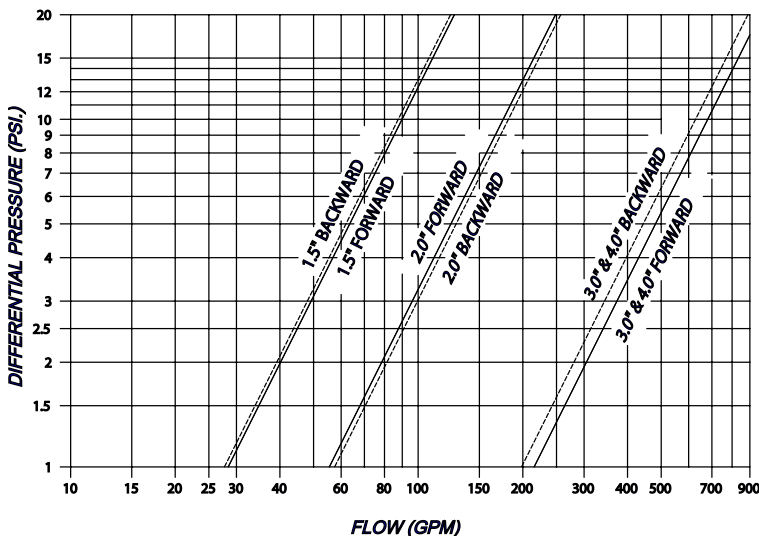


MAXI-DRY®
Made in the U.S.A.



MAXI-DRY® COUPLER

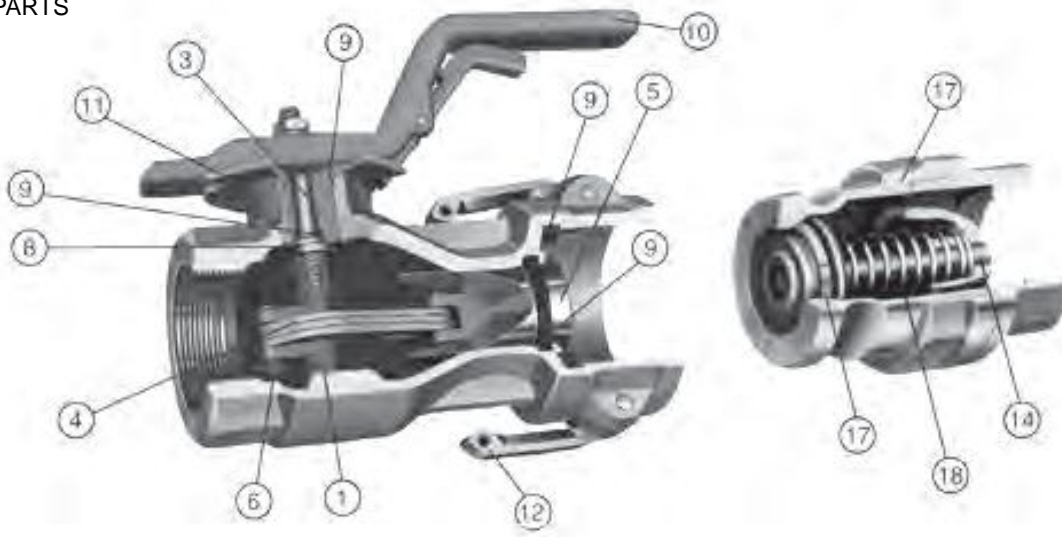
Size	Coupler	Pressure Rating	A	B	C	D	E	F	G	H	I
1 1/2"	MD15D	200 PSI	6.9	1.5	3.9	6.1	4.1	2.5	5.0	1 1/2" NPT	2.0
2"	MD20D	150 PSI	7.5	2.0	4.4	6.1	4.3	2.5	5.1	2" NPT	2.5
3"	MD30D	125 PSI	9.5	2.5	6.5	9.0	5.5	4.0	6.0	3" NPT	4.0
4"	MD40D	125 PSI	9.5	2.5	6.5	9.0	5.5	4.0	6.2	4" NPT	4.0





MAXI-DRY® COUPLER AND ADAPTER REPLACEMENT PARTS

Made in the U.S.A.



Ref #	Description	Material	1-1/2" Item #	2" Item #	3" Item #
1	Stem	Stainless Steel	44001502	44000202	44000355
3	Bushing	Stainless Steel	44001503L	44000203L	44000303L
4	Link	Stainless Steel	44001504	44000204	44000304
5	Poppet	Stainless Steel	44001505	44000205	44000305
6	Poppet Pin Kit	Stainless Steel	44000150	44000261	44000318
8	O-Ring Retainer	Stainless Steel	44001508	44000208	☎
9	Coupler Seal Kit	Buna-N	40001515	40000217	44000315
	Coupler Seal Kit	Viton®	44001523	44000223	44000316
	Coupler Seal Kit	EPDM	44001550	44000229	44000360
	Coupler Seal Kit	Teflon® Encap. Viton®	44001524	44000224	44000317
10	Handle Kit	Stainless A351 CF8M	44001512	44000212	44000312
11	Stop Plate	Stainless Steel	44001525	44000225	44000225
12	Cam Arm Assy.	Stainless Steel	5001520A	5001520A	5001530A
12a	STA-LOK® II Cam Asby.	Stainless Steel	44001564	44001564	44000321
14	Adapter Poppet Kit	Stainless Steel	44001565	44000262	44000319
17	Adapter Seal Kit	Buna-N	40001540	40000240	44000340
	Adapter Seal Kit	Viton®	44001544	44000244	44000344
	Adapter Seal Kit	EPDM	44001560	44000235	44000365
	Adapter Seal Kit	Teflon® Encap. Viton®	44001545	44000245	44000345
18	Poppet Spring	Stainless Steel	44001538	44000238	44000338
19	Swivel Seal Kit	Buna-N	☎	40010290	40010390
	Swivel Seal Kit	Viton®	☎	40010280	40010380

*Swivel Seal Kits are for the MAXI-DRY® Swivels shown on page 95.
Please go to www.ptcoupling.com for disassembly & reassembly instructions.

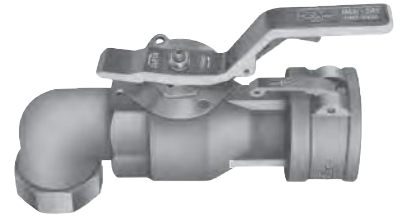
All registered trademarks are the property of their respective owners.



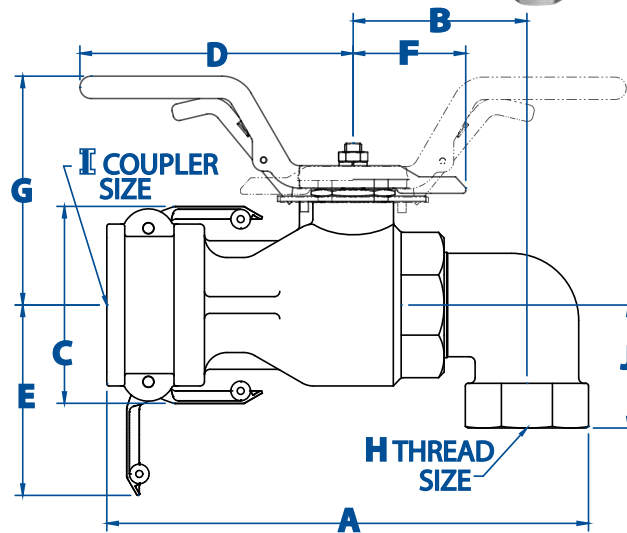
	Alum/Buna	Alum/Viton®	Alum/Teflon®	Alum/EPDM
Part Name	Item #	Item #	Item #	Item #
MD20DSW	40000200S	40000200SV	40000200ST	40000200SE
MD30DSW	40000300S	40000300SV	☎	☎

	Stainless/Buna	Stainless/Viton®	Stainless/Teflon®	Stainless/EPDM
Part Name	Item #	Item #	Item #	Item #
MD20DSW	44000200S	44000200SV	44000200ST	☎
MD30DSW	44000300S	☎	☎	44000300SE

**MDD90 - MAXI-DRY®
COUPLER 90
DEGREE SWIVEL
COUPLER X FEMALE NPT
THREAD 90 DEGREE
ELBOW SWIVEL**
Made in the U.S.A.



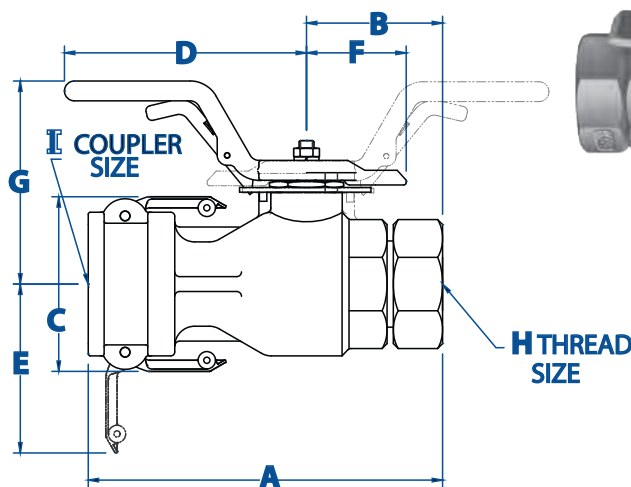
Size	2"	3"
Coupler	MD20D 90°	MD30D 90°
Press. Rating	150 PSI	125 PSI
A	10.9	14.05
B	4	5
C	4.4	6.85
D	6.1	9
E	4.3	5.5
F	2.5	4
G	5.1	6.2
H	2" NPT	3" NPT
I	2.5	4
J	2.8	4.4



	Alum/Buna	Alum/Viton®	Alum/Teflon®	Alum/EPDM
Part Name	Item #	Item #	Item #	Item #
MD20DSTRSW	40000260	40000260V	☎	☎
MD30DSTRSW	40000360	40000360V	☎	☎

**MDDSSW - MAXI-DRY®
STRAIGHT SWIVEL
COUPLER X FEMALE NPT
THREAD SWIVEL**
Made in the U.S.A.

Size	2"	3"
Coupler	MD20D 90°	MD30D 90°
Press. Rating	150 PSI	125 PSI
A	9	10.9
B	3.5	3.9
C	4.4	6.5
D	6.1	9
E	4.3	5.5
F	2.5	4
G	5.1	6.2
H	2" NPT	3" NPT
I	2.5	4



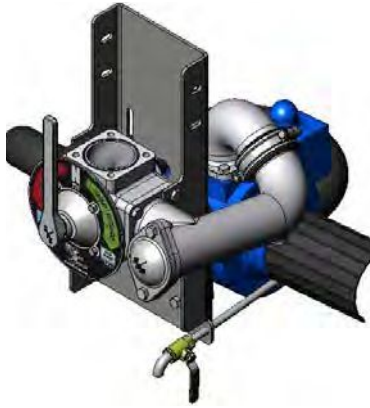
All registered trademarks are the property of their respective owners.



SPS pump systems offer a safe, simple driver friendly interface that improves driver safety and protects the environment. Our systems mount to pumps from leading manufacturers creating an engineered pump system. SPS systems are easy to install and operate. We do not manufacture the pump.

SPSVRS - V3N
VANE SYSTEM KIT

Made in the U.S.A.



Item #	Part Name
SPS100414	SPSVRS-V3N VANE SYS KIT

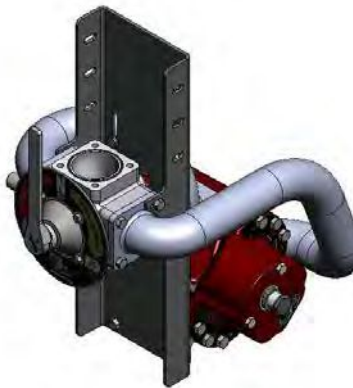
Select this model for refined liquid products in the combustible and flammable categories - Diesel, gasoline, avgas, alcohol, biodiesel, fuel additives, all lubricant oils, etc. and where high performance is required, up to 240 Gpm, truck mounted, curb side.

Compatible with 3 inch Blackmer TDX3E vane pump or equivalent.



SPSZR - G4N
GEAR SYSTEM KIT

Made in the U.S.A.



Item #	Part Name
SPS100415	SPSZR-G4N GEAR SYS KIT

Select this model for unrefined or highly viscous liquid products in the combustible and flammable categories - Crude oil, fracking fluids, asphalts and tars where ultra-high performance is required, up to 400 Gpm, shaft or hydraulic drive, truck mounted, driver's or curbside.

Compatible with 4 inch Roper 3648 gear pump or equivalent.



SPSZR - G4NTM
GEAR SYSTEM KIT

Made in the U.S.A.



Item #	Part Name
SPS100456	SPSZR-G4NTM GEAR SYS KIT

Select this model for unrefined or highly viscous liquid products in the combustible and flammable categories - Crude oil, fracking fluids, asphalts and tars where ultra-high performance is required, up to 400 Gpm, hydraulic drive, trailer mounted. Can be configured for driver's side or curbside operation.

Compatible with 4 inch Roper 3648 gear pump or equivalent.



Before ordering, please contact your local PT sales representative for more information.

All registered trademarks are the property of their respective owners.



A wide range of pump system configurations are possible by selecting optional fittings for the inlet and outlet ports of the pump system.



Item #	Part Name	Description
SPS100052	SPS30VG ALUM FLG X GRV	3 inch Victaulic Groove X Flange, Aluminum



Item #	Part Name	Description
SPS100025	SPS30A ALUM FLG X ADAPT	3 inch Male Cam & Grv X Flange, Aluminum




Item #	Part Name	Description
SPS100026	SPS30NPTM ALUM FLGXNPTM	3 inch Male NPT X Flange, Aluminum



Item #	Part Name	Description
SPS100419	SPS30TTF ELBOW ALUM FLG	3 inch TTF Round Flange X Flange Elbow, Aluminum



Item #	Part Name	Description
	Crossover, 3 inch	Crossover, 3 inch



Item #	Part Name	Description
SPS100048	SPS30VG ELBOW AL FLG X GRV (Vane Crossover)	SPS30VGX ELBOW AL FLG X GRV
SPS100086	SPS30VGX ELBOW AL FLG X VG (Extended Length)	SPS30VGX ELBOW AL FLG X GRV



Item #	Part Name	Description
SPS100416	SPS40VG ALUM FLG X GRV	4 inch Victaulic Groove X Flange, Aluminum



Item #	Part Name	Description
SPS100417	SPS40A ALUM FLG X ADAPT	4 inch Male Cam & Grv X Flange, Aluminum



Item #	Part Name	Description
SPS100418	SPS40NPTM AL FLG X NPTM	4 inch Male NPT X Flange, Aluminum



Item #	Part Name	Description
SPS100361	SPS40VG ELBOW AL FLG X GRV	4 inch Victaulic Groove X Flange Elbow, Aluminum




Item #	Part Name	Description
SPS100420	SPS40A ELBOW AL FLG X ADAPT	4 inch Male Cam & Grv X Flange Elbow, Aluminum



Item #	Part Name	Description
SPS100386	SPS40NPTM ELBOW AL NPTM	4 inch Male NPT X Flange Elbow, Aluminum



Item #	Part Name	Description
	Crossover 4 inch	Crossover 4 inch



Item #	Part Name	Description
SPS100385	SPS40TTF ELBOW ALUM FLG	4 inch TTF Round Flange X Flange Elbow, Aluminum



Item #	Part Name	Description
SPS100002	SPS 4-Way Valve, Aluminum	SPS 4-Way Valve, Aluminum (Truck Mount System)
SPS100408	SPS 4-Way Valve, Aluminum	SPS 4-Way Valve, Aluminum (Trailer Mount System)



STDS-T STRAINER 150 PSI MAX WORKING PRESSURE

Made in the U.S.A.



REPLACEMENT BULB ADAPTER

Made in the U.S.A.



		Aluminum/ HBS	Aluminum/HB	Hard Coat Alum
Size	Part Name	Item #	Item #	Item #
1-1/2"	30X15STDS	60903015S	6090000091	70903015S
2"	30X20STDS	60903020S	6090000092	70903020S

Strainer and Filter sold separately.



REPLACEMENT T-STRAINER SCREEN STAINLESS STEEL SCREEN

Made in the U.S.A.

Part Name	Item #
30STSC-12 MESH	60903131
30STSC-20 MESH	60903132
30STSC-40 MESH	60903133
30STSC-60 MESH	60903134
30STSC-80 MESH	60903130

	Aluminum	Hard Coat Alum
Part Name	Item #	Item #
30STA	60903000	70903000

STR-Y Polypropylene STRAINER 125 PSI MAX WORKING PRESSURE

Made in the U.S.A.



Y-STRAINER REPLACEMENT PARTS Polypropylene



Y-STRAINER BASKET Polypropylene

Size	Part Name	Item #
3/4"	07STR	37890700
1"	10STR	37891000
1-1/2"	15STR	37891500
2"	20STR	37892000
3"	30STR	37893000
4"	40STR	☎

Strainer Basket below must be ordered separately.

07STR-P		
Part Name	Item #	Description
STR-P	37890407	Poly Seal Kit
STR-5P-20	3700720	20 Mesh Bskt
STR-5P-40	3700740	40 Mesh Bskt
STR-5P-80	3700780	80 Mesh Bskt
10STR-P		
Part Name	Item #	Description
STR-P	37890410	Poly Seal Kit
STR-5P-20	3701020	20 Mesh Bskt
STR-5P-40	3701040	40 Mesh Bskt
STR-5P-80	3701080	80 Mesh Bskt

15/20STR-P		
Part Name	Item #	Description
STR-P	37890415	Poly Seal Kit
STR-5P-20	3701520	20 Mesh Bskt
STR-5P-40	3701540	40 Mesh Bskt
STR-5P-80	3701580	80 Mesh Bskt
30STR-P		
Part Name	Item #	Description
STR-P	37890430	Poly Seal Kit
STR-5P-20	3703020	20 Mesh Bskt
STR-5P-40	3703040	40 Mesh Bskt
STR-5P-80	☎	80 Mesh Bskt

PUMP FILTER

Made in the U.S.A.



		Aluminum	Stainless Steel
Size	Part Name	Item #	Item #
1-1/2"	15P	60951500	☎
2"	20P	60952000	64952000
3"	30P	60953000	64953000
4"	40P	60954000	64954000
4"	40P .38" Hole	60954002	☎
4"	40P .50" Hole	60954001	64954001



Threads into bottom of female NPT thread to protect equipment from large contaminants.

Standard hole size is 1/4". Also available in .38" & 1/2" hole size.

Custom sizes are available by quote, minimum purchase required.

Toll-Free: (800) 654-0320 • Toll-Free Fax: (800) 828-2649 • info@ptcoupling.com • www.ptcoupling.com



		Aluminum	Stainless Steel	Ductile Iron
Size	Part Name	Item #	Item #	Item #
3/4"	07STR	☎	☎	38890700
1"	10STR	☎	☎	38891000
1-1/2"	15STR	38891500A	34891500	38891500
2"	20STR	30892000	34892000	38892000
3"	30STR	38893000A	34893000	38893000
4"	40STR	30894000	☎	38894000

Strainer Basket must be ordered separately, see bottom of page.

STR-Y
STRAINER 125 PSI MAX
WORKING PRESSURE
 Made in the U.S.A.



Y-STRAINER REPLACEMENT PARTS
Aluminum, Stainless Steel and Ductile Iron

07STR & 10STR		
Part Name	Item #	Description
STR-2	38891050	Clamp Kit
STR-3	38890730	Cap-Ductile Iron
STR-3	☎	Cap-Aluminum
STR-4	38891080	Seal Kit

30STR		
Part Name	Item #	Description
STR-2	38893050	Clamp Kit
STR-3	38893300	Cap-Ductile Iron
STR-3	38893300A	Cap-Aluminum
STR-4	38893080	Seal Kit

15STR		
Part Name	Item #	Description
STR-2	38891550	Clamp Kit
STR-3	38891530	Cap-Ductile Iron
STR-3	38891530A	Cap-Aluminum
STR-4	38891580	Seal Kit

40STR		
Part Name	Item #	Description
STR-2	38894050	Clamp Kit
STR-3	38894300	Cap-Ductile Iron
STR-3	38894400A	Cap-Aluminum
STR-4	38894980	Seal Kit

20STR		
Part Name	Item #	Description
STR-2	38892050	Clamp Kit
STR-3	38892300	Cap-Ductile Iron
STR-3	30892300	Cap-Aluminum
STR-3	34892300	Cap-Stainless Steel
STR-4	38892800	Seal Kit

CLAMP KIT



CAP



SEAL KIT



Y-STRAINER BASKETS 304 STAINLESS STEEL

	SS 14 Mesh	SS 20 Mesh	SS 40 Mesh	SS 60 Mesh	SS 80 Mesh	SS 100 Mesh
Part Name	Item #	Item #	Item #	Item #	Item #	Item #
10STR-5	3410014	3410020	3410040	3410060	3410080	3410100
15STR-5	3415014	3415020	3415040	3415060	3415080	3415100
20STR-5	3420014	3420020	3420040	3420060	3420080	3420100
30STR-5	3430014	3430020	3430040	3430060	3430080	3430100
40STR-5	3440014	3440020	3440040	☎	3440080	3440100

Y-STRAINER BASKET
Stainless Steel



Petroleum Handling - In-Line Strainers & Pump Filtrings



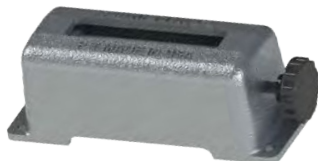
POWDERCOATED COMMODITY TAG HOLDER

Made in the U.S.A.



COMMODITY TAG HOLDER

Made in the U.S.A.



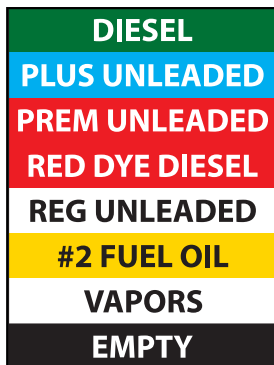
	Aluminum	Red	White	Blue
Part Name	Item #	Item #	Item #	Item #
COMMODITY INDICATOR	888000	888001PR	888001PW	888001PB

*Sold without labels, available upon request.
Custom logo or powdercoating available upon request.*

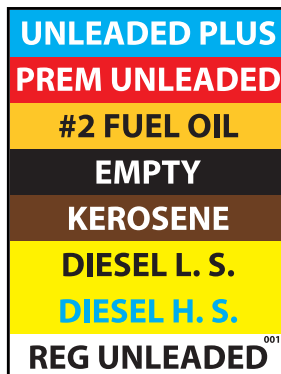
COMMODITY TAG DECALS

Made in the U.S.A.

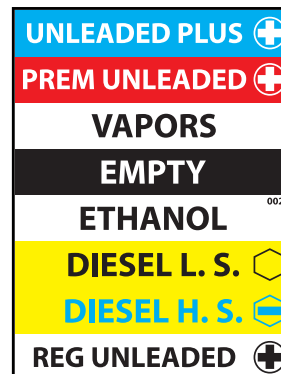
Commodity Indicator Tag Decals Shown are the industry standard decals. Custom decals can be ordered. Call for details.



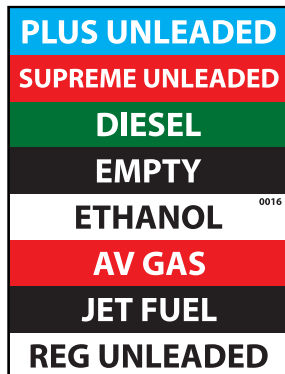
888011



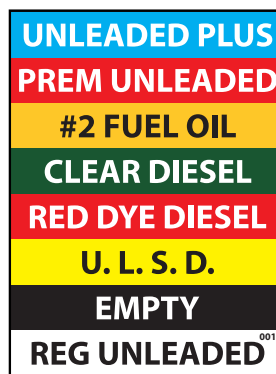
888015



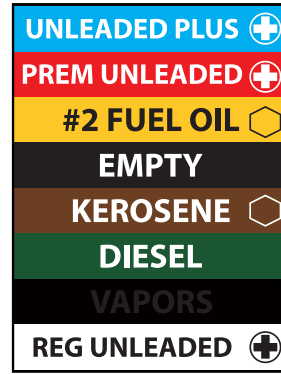
888026



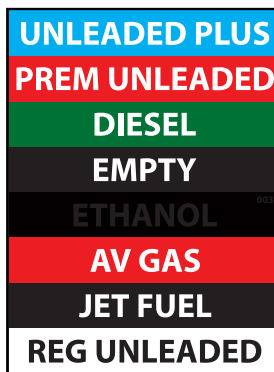
888016



888018



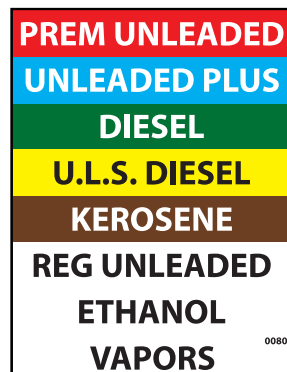
888025



888031



888036



888080

PT Coupling manufactures PROGRIP™ coupling retention systems for attaching hose to fittings, either by externally crimping or internally expanding. The products range in sizes from ½” up to 8”. Standard materials available are plated Carbon Steel and Stainless Steel. Other materials are available on request. The fittings produced cover a wide range of applications including sanitary, pharmaceutical,

chemical, petroleum, industrial, and fire protection. Various types of hose shank designs are utilized to maximize the performance of the different fittings and ferrule combinations. All of the different hose shanks are available with any type of the connecting ends. Ends available include male and female NPT Pipe, Victaulic® style groove, butt weld, socket weld, I-Line, Pacific Coast thread, tri-clamp and flanged.

MAXIMUM ALLOWABLE WORKING PRESSURE RATINGS FOR PROGRIP™ (PRESSURE IN PSI)

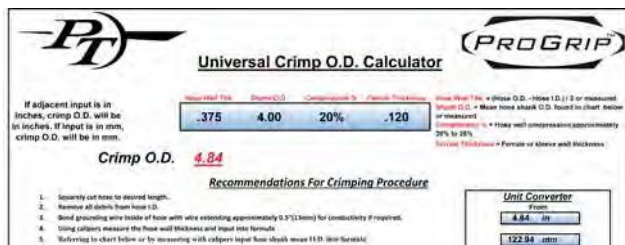
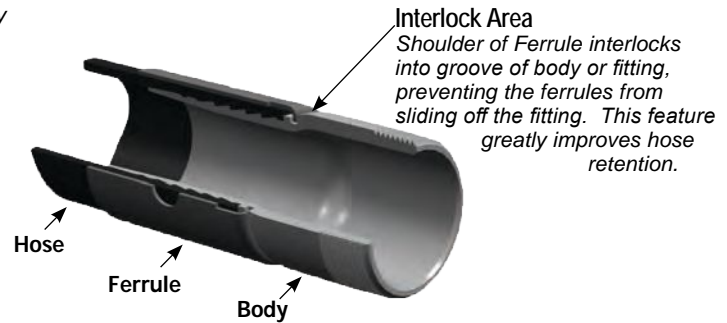
Fitting	1.0"	1.25"	1.5"	2.0"	2.5"	3.0"	4.0"	6.0"
All Pro-Grip™ bodies with mechanical interlocking ferrules & sleeves except as listed below	600	600	600	600	600	600	500	400
Cam & Groove	250	250	250	250	200	200	150	75
Ansi 150# Flanges	285	285	285	285	285	285	285	285

The above pressure ratings are for the fitting itself. There are several factors that determine the pressure rating of a hose assembly. Some of which are hose pressure rating, method of hose attachment, quality of hose attachment, and external fastening devices such as Tri-Clamp and I-Line clamps, flange bolts, etc. It is up to the hose assembler and the end user to assure that all components are applied properly and meet the required working pressure of the system.

It is recommended that hydrostatic testing be done to hose assemblies to assure the above crimp diameters are sufficient for the intended application. Reference the NAHAD Hose Safety Institute Hose Assembly Guidelines for recommended testing procedures. www.nahad.org

There are multiple resources for PROGRIP™ crimping calculations located at www.ptcoupling.com/technical-information.html

- Ferrules/Sleeve Crimp Diameter Calculator (Excel)



- PT Coupling Crimp OD and Product Guide (PDF)

HOSE ID	HOSE OD	CRIMP OD	FERR/SLV WALL	PROGRIP FERR/SLV	PT CAM & GRV. FEMALE COUPLER	PT CAM & GRV. MALE ADAPTER	PROGRIP BODIES
.50	0.58	0.66	.049	05022CS**	E05C	E05E	
	0.60	0.68	.049	05022CS**	05C	05E	
	0.62	0.69	.049	(.688 ID)	CF50C	CF50E	
	0.64	0.71	.049	05024CS**			
	0.66	0.72	.049	05024CS**			
	0.68	0.74	.049	(.750 ID)			
	0.70	0.75	.049	05026CS**			
	0.72	0.77	.049	05026CS**			
	0.74	0.79	.049	(.813 ID)			
	0.76	0.80	.049				

- iPhone App go to www.ptcoupling.com/technical-information.html or iTunes to download app to your iPhone, iPod Touch, iPad, or iPad mini.
- Android App go to www.ptcoupling.com/technical-information.html or Google Play to download the app for your Android phone or device.





TMC50 BODY
MALE NPT THREAD
Made in the U.S.A.



Size	Stainless Steel		Plated Carbon Steel	
	Part Name	Item #	Part Name	Item #
3/4"	07TMC50SS	5710702	07TMC50CS	5700702
1"	10TMC50SS	5711002	10TMC50CS	5701002
1-1/4"	12TMC50SS	5711202	12TMC50CS	5701202
1-1/2"	15TMC50SS	5711502	15TMC50CS	5701502
2"	20TMC50SS	5712002	20TMC50CS	5702002
2-1/2"	25TMC50SS	5712502	25TMC50CS	5702502
3"	30TMC50SS	5713002	30TMC50CS	5703002
4"	40TMC50SS	5714002	40TMC50CS	5704002
5"	50TMC50SS	☎	50TMC50CS	5705002
6"	60TMC50SS	5716002	60TMC50CS	5706002

TMC50AL
MALE NPT THREAD
Casting with Octagon
Made in the U.S.A.



Size	Aluminum	
	Part Name	Item #
3/4"	07TMC50AL	5740702
1"	10TMC50AL	5741002
1-1/2"	15TMC50AL	5741502
2"	20TMC50AL	5742002
3"	30TMC50AL	5743002
4"	40TMC50AL	5744002

Custom design supplied upon request.

304 Stainless Steel is standard material, also available in 316 Stainless Steel by quote.

The Ferrules to be used with the bodies on this page are located on pages 105-113.

WC50 BODY
BUTT-WELD PIPE
SCHEDULE 40
Made in the U.S.A.



Size	Aluminum		Stainless Steel		Non-Plated Carbon Steel	
	Part Name	Item #	Part Name	Item #	Part Name	Item #
1"	10WC50AL	5741014	10WC50SS	5711014	10WC50CS	5701014
1-1/2"	15WC50AL	5741514	15WC50SS	5711514	15WC50CS	5701514
2"	20WC50AL	5742014	20WC50SS	5712014	20WC50CS	5702014
2-1/2"	25WC50AL	☎	25WC50SS	5712514	25WC50CS	5702514
3"	30WC50AL	5743014	30WC50SS	5713014	30WC50CS	5703014
4"	40WC50AL	5744014	40WC50SS	5714014	40WC50CS	5704014

VC50 BODY
GROOVED PIPE END
Made in the U.S.A.



Size	Part Name	Stainless Steel		Plated Carbon Steel	
		Item #	Part Name	Item #	
1"	10VC50SS	5711016	10VC50CS	5701016	
1 1/4"	☎	☎	12VC50CS	5701216	
1-1/2"	15VC50SS	5711516	15VC50CS	☎	
2"	20VC50SS	5712016	20VC50CS	5702016	
2-1/2"	25VC50SS	5712516	25VC50CS	☎	
3"	30VC50SS	5713016	30VC50CS	5703016	
4"	40VC50SS	5714016	40VC50CS	5704016	



		316 Stainless Steel		Carbon Steel	
Size	Part Name	Item #	Part Name	Item #	
1"	10PFFC50SS	5711015	10PFFC50CS		
1-1/2"	15PFFC50SS	5711515	15PFFC50CS		
2"	20PFFC50SS	5712005	20PFFC50CS	5702005	
3"	30PFFC50SS	5713005	30PFFC50CS	5703005	
4"	40PFFC50SS	5714005	40PFFC50CS	5704005	

Pipe Flange bolt pattern conforms to ANSI B16.5 Class 150.

PFFC50 BODY
 FLOATING ANSI PIPE
 FLANGE 150# X CRIMP
 HOSE SHANK.
 FLANGE AND BODY
 SPECIALLY DESIGNED
 TOGETHER TO ALLOW
 FLANGE TO SLIDE OVER
 CRIMPED SLEEVE OR
 FERRULE.

Made in the U.S.A.



		316 Stainless Steel		Carbon Steel	
Size	Part Name	Item #	Part Name	Item #	
1"	10PFC50SS	5711019	10PFC50CS		
1-1/2"	15PFC50SS	5711519	15PFC50CS		
2"	20PFC50SS	5712019	20PFC50CS	5702001	
3"	30PFC50SS	5713019	30PFC50CS	5703001	
4"	40PFC50SS	5714018	40PFC50CS	5704001	
6"	60PFC50SS	64536000	60PFC50CS	5704007	

Pipe Flange bolt pattern conforms to ANSI B16.5 Class 150.

PFC50 BODY
 FIXED ANSI PIPE
 FLANGE 150# X CRIMP
 HOSE SHANK.

Made in the U.S.A.



		316 Stainless Steel		Carbon Steel	
Size	Part Name	Item #	Part Name	Item #	
2"	20TBC50SS	50103	20TBC50CS	50106	
3"	30TBC50SS	50104	30TBC50CS	50107	
4"	40TBC50SS	50105	40TBC50CS	50108	

TBC50 BODY
 TURN BACK CRIMP
 HOSE SHANK FOR LAP
 JOINT FLANGE

Made in the U.S.A.



		Aluminum		Stainless Steel	
Size	Part Name	Item #	Part Name	Item #	
3"	30TTFC50AL	5744101	30TTFC50SS	5744004	
4"	40TTFC50AL	5744102	40TTFC50SS	5744003	

TTFC50 BODY
 FIXED TTMA FLANGE X CRIMP
 HOSE SHANK

Made in the U.S.A.



Tank Truck Flanges conform to (TTMA) Truck Trailer Manufacturers Assoc. standards.

All above flanges are available in 6", 8", 10", & 12" upon request.



C-C50 BODY
 CAM & GROOVE STA-LOK® II
 FEMALE COUPLER
 316 Stainless Steel
 Made in the U.S.A.



Stainless Steel		
Size	Part Name	Item #
1"	10CC50SS STA-LOK® II	☎
1-1/2"	15CC50SS STA-LOK® II	5711507L2
2"	20CC50SS STA-LOK® II	5712007L2
2-1/2"	25CC50SS STA-LOK® II	5712507L2
3"	30CC50SS STA-LOK® II	5713007L2
4"	40CC50SS STA-LOK® II	5714007L2

C-C50 BODY
 CAM & GROOVE
 FEMALE COUPLER
 316 Stainless Steel
 Made in the U.S.A.



Stainless Steel		
Size	Part Name	Item #
1"	10CC50SS	☎
1-1/2"	15CC50SS	5711507
2"	20CC50SS	5712007
2 1/2"	25CC50SS	5712507
3"	30CC50SS	5713007
4"	40CC50SS	5714007

E-C50 BODY
 CAM & GROOVE
 MALE ADAPTER
 316 Stainless Steel
 Made in the U.S.A.



Stainless Steel		
Size	Part Name	Item #
1"	10EC50SS	☎
1-1/4"	12EC50SS	☎
1-1/2"	15EC50SS	5711508
2"	20EC50SS	5712008
3"	30EC50SS	5713008
4"	40EC50SS	5714008

C50 External Crimp System

Custom design supplied upon request.

All Stainless Steel castings are 316 Stainless Steel and all components are 300 series Stainless Steel.

Stainless Steel			
Size	Ferrule ID (in)	Part Name	Item #
1/2"	0.875	05028C50SS	54105028
1/2"	0.938	05030C50SS	54105030
1/2"	1.000	05100C50SS	54105100
1/2"	1.063	05102C50SS	54105102
3/4"	1.063	07102C50SS	54107102
3/4"	1.125	07104C50SS	54107104
3/4"	1.188	07106C50SS	54107106
3/4"	1.250	07108C50SS	54107108
3/4"	1.313	07110C50SS	54107110
3/4"	1.375	07112C50SS	54107112
1"	1.438	10114C50SS	54110114
1"	1.500	10116C50SS	54110116
1"	1.563	10118C50SS	54110118
1"	1.625	10120C50SS	54110120
1"	1.688	10122C50SS	54110122
1"	1.750	10124C50SS	54110124
1"	1.813	10126C50SS	54110126
1"	1.875	10128C50SS	54110128
1-1/4"	1.563	12118C50SS	54112118
1-1/4"	1.625	12120C50SS	54112120
1-1/4"	1.688	12122C50SS	54112122
1-1/4"	1.750	12124C50SS	54112124
1-1/4"	1.813	12126C50SS	54112126
1-1/4"	1.875	12128C50SS	54112128
1-1/4"	1.938	12130C50SS	54112130
1-1/4"	2.000	12200C50SS	☎
1-1/2"	1.875	15128C50SS	54115128
1-1/2"	1.938	15130C50SS	54115130
1-1/2"	2.000	15200C50SS	54115200
1-1/2"	2.063	15202C50SS	54115202
1-1/2"	2.125	15204C50SS	54115204
1-1/2"	2.188	15206C50SS	54115206
1-1/2"	2.250	15208C50SS	54115208
1-1/2"	2.313	15210C50SS	54115210
1-1/2"	2.375	15212C50SS	54115212
1-1/2"	2.438	15214C50SS	54115214
2"	2.438	20214C50SS	54120214
2"	2.500	20216C50SS	54120216
2"	2.563	20218C50SS	54120218
2"	2.625	20220C50SS	54120220
2"	2.688	20222C50SS	54120222
2"	2.750	20224C50SS	54120224
2"	2.813	20226C50SS	54120226
2"	2.875	20228C50SS	54120228
2"	2.938	20230C50SS	54120230
2"	3.000	20300C50SS	54120300

Stainless Steel			
Size	Ferrule ID (in.)	Part Name	Item #
2"	3.063	20302C50SS	54120302
2"	3.125	20304C50SS	☎
2-1/2"	2.875	25228C50SS	54125228
2-1/2"	2.938	25230C50SS	54125230
2-1/2"	3.000	25300C50SS	54125300
2-1/2"	3.063	25302C50SS	54125302
2-1/2"	3.125	25304C50SS	54125304
2-1/2"	3.188	25306C50SS	54125306
2-1/2"	3.250	25308C50SS	54125308
2-1/2"	3.313	25310C50SS	54125310
2-1/2"	3.375	25312C50SS	54125312
2-1/2"	3.500	25316C50SS	54125316
2-1/2"	3.563	25318C50SS	54125318
2-1/2"	3.750	25324C50SS	☎
2-1/2"	3.375	25312C50SS	☎
3"	3.500	30316C50SS	54130316
3"	3.563	30318C50SS	54130318
3"	3.625	30320C50SS	54130320
3"	3.688	30322C50SS	54130322
3"	3.750	30324C50SS	54130324
3"	3.813	30326C50SS	54130326
3"	3.875	30328C50SS	54130328
3"	3.938	30330C50SS	54130330
3"	4.000	30400C50SS	54130400
3"	4.063	30402C50SS	54130402
3"	4.125	30404C50SS	54130404
3"	4.188	30406C50SS	54130406
4"	4.375	40412C50SS	☎
4"	4.438	40414C50SS	54140414
4"	4.500	40416C50SS	54140416
4"	4.563	40418C50SS	54140418
4"	4.625	40420C50SS	54140420
4"	4.688	40422C50SS	54140422
4"	4.750	40424C50SS	54140424
4"	4.813	40426C50SS	54140426
4"	4.875	40428C50SS	54140428
4"	4.938	40430C50SS	54140430
4"	5.000	40500C50SS	54140500
4"	5.063	40502C50SS	54140502
4"	5.188	40506C50SS	54140506
4"	5.250	40508C50SS	54140508
6"	6.875	60628C50SS	54160628
6"	6.938	60630C50SS	☎
6"	7.063	60702C50SS	☎
6"	7.250	60708C50SS	☎

C50SS
CRIMP FERRULE
 Made in the U.S.A.



Designed to be used with PT shanked fittings and PROGRIP™ C50 bodies.

Custom design supplied upon request.

304 Stainless Steel is the standard material.

Please call for special quote in 316 Stainless Steel.





C50CS
CRIMP FERRULE
 Made in the U.S.A.



*Designed to be used with
 PT shanked fittings and
 PROGRIP™ C50 bodies.*

*Custom design supplied
 upon request.*

*Also available in 316
 Stainless Steel, Aluminum,
 Anodized Aluminum &
 private label by quote.*

Plated Carbon Steel			
Size	Ferrule ID (in.)	Part Name	Item #
1/2"	0.875	05028C50CS	54005028
3/4"	1.063	07102C50CS	☎
3/4"	1.125	07104C50CS	54007104
3/4"	1.188	07106C50CS	54007106
3/4"	1.250	07108C50CS	54007108
3/4"	1.313	07110C50CS	54007110
1"	1.438	10114C50CS	54010114
1"	1.500	10116C50CS	54010116
1"	1.563	10118C50CS	54010118
1"	1.625	10120C50CS	54010120
1"	1.688	10122C50CS	54010122
1"	1.750	10124C50CS	☎
1"	1.813	10126C50CS	54010126
1-1/4"	1.688	12122C50CS	☎
1-1/4"	1.750	12124C50CS	54012124
1-1/4"	1.813	12126C50CS	54012126
1-1/4"	1.875	12128C50CS	54012128
1-1/4"	1.938	12130C50CS	54012130
1-1/2"	1.875	15128C50CS	54015128
1-1/2"	1.938	15130C50CS	54015130
1-1/2"	2.000	15200C50CS	54015200
1-1/2"	2.063	15202C50CS	54015202
1-1/2"	2.125	15204C50CS	54015204
1-1/2"	2.188	15206C50CS	54015206
1-1/2"	2.250	15208C50CS	54015208
1-1/2"	2.313	15210C50CS	54015210
1-1/2"	2.375	15212C50CS	54015212
1-1/2"	2.438	15214C50CS	54015214
2"	2.375	20212C50CS	54020212
2"	2.438	20214C50CS	54020214
2"	2.500	20216C50CS	54020216
2"	2.563	20218C50CS	54020218
2"	2.625	20220C50CS	54020220
2"	2.688	20222C50CS	54020222
2"	2.750	20224C50CS	54020224
2"	2.813	20226C50CS	54020226
2"	2.875	20228C50CS	54020228
2"	2.938	20230C50CS	54020230
2"	3.000	20300C50CS	54020300
2-1/2"	2.875	25228C50CS	54025228
2-1/2"	3.000	25300C50CS	54025300

Plated Carbon Steel			
Size	Ferrule ID (in.)	Part Name	Item #
2-1/2"	3.063	25302C50CS	54025302
2-1/2"	3.125	25304C50CS	54025304
2-1/2"	3.188	25306C50CS	54025306
2-1/2"	3.250	25308C50CS	54025308
2-1/2"	3.313	25310C50CS	☎
2-1/2"	3.438	25314C50CS	54025314
2-1/2"	3.500	25316C50CS	54025316
2-1/2"	3.563	25318C50CS	☎
2-1/2"	3.750	25324C50CS	☎
3"	3.438	30314C50CS	54030314
3"	3.500	30316C50CS	54030316
3"	3.563	30318C50CS	54030318
3"	3.625	30320C50CS	54030320
3"	3.688	30322C50CS	54030322
3"	3.750	30324C50CS	54030324
3"	3.813	30326C50CS	54030326
3"	3.875	30328C50CS	54030328
3"	3.938	30330C50CS	54030330
3"	4.000	30400C50CS	54030400
3"	4.125	30404C50CS	54030404
4"	4.375	40412C50CS	54040412
4"	4.500	40416C50CS	54040416
4"	4.563	40418C50CS	54040418
4"	4.625	40420C50CS	54040420
4"	4.688	40422C50CS	54040422
4"	4.750	40424C50CS	54040424
4"	4.813	40426C50CS	54040426
4"	4.875	40428C50CS	54040428
4"	4.938	40430C50CS	54040430
4"	5.000	40500C50CS	54040500
4"	5.063	40502C50CS	54040502
4"	5.125	40504C50CS	☎
5"	5.938	50530C50CS	54050530
6"	6.063	50602C50CS	☎
6"	6.625	60620C50CS	54060620
6"	6.875	60628C50CS	54060628
6"	6.938	60630C50CS	54060700
6"	7.000	60700C50CS	54060700
6"	7.063	60702C50CS	54060702
6"	7.188	60706C50CS	54060706

Aluminum			
Size	Ferrule ID (in.)	Part Name	Item #
1/2"	0.875	05028C50AL	☎
3/4"	1.063	07102C50AL	☎
3/4"	1.125	07104C50AL	☎
3/4"	1.188	07106C50AL	☎
3/4"	1.250	07108C50AL	☎
3/4"	1.313	07110C50AL	☎
1"	1.438	10114C50AL	☎
1"	1.500	10116C50AL	☎
1"	1.563	10118C50AL	☎
1"	1.625	10120C50AL	☎
1"	1.688	10122C50AL	☎
1"	1.750	10124C50AL	☎
1"	1.813	10126C50AL	☎
1-1/4"	1.688	12122C50AL	☎
1-1/4"	1.750	12124C50AL	☎
1-1/4"	1.813	12126C50AL	☎
1-1/4"	1.875	12128C50AL	☎
1-1/4"	1.938	12130C50AL	☎
1-1/4"	2.000	12200C50AL	☎
1-1/2"	1.875	15128C50AL	☎
1-1/2"	1.938	15130C50AL	☎
1-1/2"	2.063	15202C50AL	☎
1-1/2"	2.125	15204C50AL	☎
1-1/2"	2.188	15206C50AL	☎
1-1/2"	2.250	15208C50AL	☎
1-1/2"	2.375	15212C50AL	☎
1-1/2"	2.438	15214C50AL	☎
2"	2.375	20212C50AL	☎
2"	2.438	20214C50AL	☎
2"	2.500	20216C50AL	☎
2"	2.563	20218C50AL	☎
2"	2.625	20220C50AL	56020220
2"	2.688	20222C50AL	☎
2"	2.750	20224C50AL	☎
2"	2.813	20226C50AL	56020226
2"	2.875	20228C50AL	☎
2"	2.938	20230C50AL	☎
2"	3.000	20300C50AL	☎
2-1/2"	2.875	25228C50AL	☎

Aluminum			
Size	Ferrule ID (in.)	Part Name	Item #
2-1/2"	3.000	25300C50AL	☎
2-1/2"	3.063	25302C50AL	☎
2-1/2"	3.125	25304C50AL	☎
2-1/2"	3.188	25306C50AL	☎
2-1/2"	3.250	25308C50AL	☎
2-1/2"	3.313	25310C50AL	☎
2-1/2"	3.438	25314C50AL	☎
2-1/2"	3.500	25316C50AL	☎
2-1/2"	3.563	25318C50AL	☎
2-1/2"	3.750	25324C50AL	☎
3"	3.438	30314C50AL	☎
3"	3.500	30316C50AL	☎
3"	3.563	30318C50AL	☎
3"	3.625	30320C50AL	56030320
3"	3.688	30322C50AL	☎
3"	3.750	30324C50AL	☎
3"	3.813	30326C50AL	56030326
3"	3.875	30328C50AL	56030328
3"	3.938	30330C50AL	56030330
3"	4.000	30400C50AL	☎
3"	4.125	30404C50AL	☎
4"	4.375	40412C50AL	☎
4"	4.500	40416C50AL	☎
4"	4.563	40418C50AL	☎
4"	4.625	40420C50AL	☎
4"	4.688	40422C50AL	56040422
4"	4.750	40424C50AL	56040424
4"	4.813	40426C50AL	56040426
4"	4.875	40428C50AL	56040428
4"	4.938	40430C50AL	56040430
4"	5.000	40500C50AL	☎
4"	5.063	40502C50AL	☎
4"	5.125	40504C50AL	☎
5"	5.938	50530C50AL	56050530
6"	6.063	50602C50AL	☎
6"	6.875	60628C50AL	☎
6"	7.000	60700C50CS	☎
6"	7.063	60702C50AL	☎
6"	7.188	60706C50CS	☎

C50AL
CRIMP FERRULE
 Made in the U.S.A.



Designed to be used with PT shanked fittings and PROGRIP™ C50 bodies.

Custom design supplied upon request.

Also available in Anodized Aluminum in assorted colors and private label by quote.



C50 External Crimp System - C50AL



CSSS

CRIMP SLEEVE

Made in the U.S.A.



**1", 1 1/4", 1 1/2" sizes are interchangeable
**2" and 2 1/2" sizes are interchangeable*

Custom design supplied upon request.

304 Stainless Steel is standard material, also available in 316 Stainless Steel by quote.

Size	Sleeve ID	Length (in.)	Stainless Steel	
			Part Name	Item #
1/2"	0.688	1.3	05022CSSS	54305022
1/2"	0.813	1.3	05026CSSS	54305026
1/2"	0.875	1.3	05028CSSS	54305028
1/2"	0.938	1.3	05030CSSS	54305030
1/2"	1.000	1.3	05100CSSS	54305100
1/2"	1.063	1.3	05102CSSS	☎
3/4"	1.063	1.6	07102CSSS	54307102
3/4"	1.125	1.6	07104CSSS	54307104
3/4"	1.188	1.6	07106CSSS	54307106
3/4"	1.250	1.6	07108CSSS	54307108
3/4"	1.313	1.6	07110CSSS	54307110
*1"	1.313	2.1	10110CSSS	☎
*1"	1.375	2.1	10112CSSS	54310112
*1"	1.438	2.1	10114CSSS	54310114
*1"	1.500	2.1	10116CSSS	54310116
*1"	1.563	2.1	10118CSSS	54310118
*1"	1.625	2.1	10120CSSS	54310120
*1"	1.688	2.1	10122CSSS	54310122
*1-1/4"	1.750	2.1	12124CSSS	54312124
*1-1/4"	1.813	2.1	12126CSSS	54312126
*1-1/4"	1.875	2.1	12128CSSS	54312128
*1-1/4"	1.938	2.1	12130CSSS	54312130
*1-1/2"	2.000	2.1	15200CSSS	54315200
*1-1/2"	2.063	2.1	15202CSSS	54315202
*1-1/2"	2.125	2.1	15204CSSS	54315204
*1-1/2"	2.188	2.1	15206CSSS	54315206
*1-1/2"	2.250	2.1	15208CSSS	54315208
*1-1/2"	2.313	2.1	15210CSSS	54315210
**2"	2.250	2.8	20208CSSS	☎
**2"	2.313	2.8	20210CSSS	54320210
**2"	2.375	2.8	20212CSSS	54320212
**2"	2.438	2.8	20214CSSS	54320214
**2"	2.500	2.8	20216CSSS	54320216
**2"	2.563	2.8	20218CSSS	54320218
**2"	2.625	2.8	20220CSSS	54320220
**2"	2.688	2.8	20222CSSS	54320222
**2"	2.750	2.8	20224CSSS	54320224
**2"	2.813	2.8	20226CSSS	54320226
**2"	2.875	2.8	20228CSSS	54320228
**2"	2.938	2.8	20230CSSS	54320230
**2-1/2"	3.000	2.8	25300CSSS	54325300



Size	Sleeve ID	Length (in.)	Stainless Steel	
			Part Name	Item #
**2-1/2"	3.063	2.8	25302CSSS	54325302
**2-1/2"	3.125	2.8	25304CSSS	54325304
**2-1/2"	3.188	2.8	25306CSSS	54325306
**2-1/2"	3.250	2.8	25308CSSS	54325308
**2-1/2"	3.313	2.8	25310CSSS	54325310
**2-1/2"	3.375	2.8	25312CSSS	☎
3"	3.313	3.5	30310CSSS	54330310
3"	3.375	3.5	30312CSSS	54330312
3"	3.438	3.5	30314CSSS	54330314
3"	3.500	3.5	30316CSSS	54330316
3"	3.563	3.5	30318CSSS	54330318
3"	3.625	3.5	30320CSSS	54330320
3"	3.688	3.5	30322CSSS	54330322
3"	3.750	3.5	30324CSSS	54330324
3"	3.813	3.5	30326CSSS	54330326
3"	3.875	3.5	30328CSSS	54330328
3"	3.938	3.5	30330CSSS	54330330
3"	4.000	3.5	30400CSSS	54330400
3"	4.063	3.5	30402CSSS	54330402
3"	4.125	3.5	30404CSSS	54330404
3"	4.188	3.5	30406CSSS	☎
4"	4.313	3.9	40410CSSS	☎
4"	4.375	3.9	40412CSSS	54340412
4"	4.438	3.9	40414CSSS	54340414
4"	4.500	3.9	40416CSSS	☎
4"	4.563	3.9	40418CSSS	54340418
4"	4.625	3.9	40420CSSS	54340420
4"	4.688	3.9	40422CSSS	54340422
4"	4.750	3.9	40424CSSS	54340424
4"	4.813	3.9	40426CSSS	54340426
4"	4.875	3.9	40428CSSS	54340428
4"	4.938	3.9	40430CSSS	54340430
4"	5.000	3.9	40500CSSS	54340500
4"	5.063	3.9	40502CSSS	54340502
4"	5.125	3.9	40504CSSS	☎
4"	5.188	3.9	40506CSSS	☎
6"	6.500	6.1	60616CSSS	54360616
6"	6.875	6.1	60628CSSS	54360628
6"	6.938	6.1	60630CSSS	54360630
8"	8.688	6.6	80822CSSS	54380822

CSSS
CRIMP SLEEVE
Made in the U.S.A.



**1", 1 1/4", 1 1/2" sizes are interchangeable
**2" and 2 1/2" sizes are interchangeable*

Custom design supplied upon request.

304 Stainless Steel is standard material, also available in 316 Stainless Steel by quote.





CSCS
CRIMP SLEEVE
 Made in the U.S.A.



**1", 1 1/4", 1 1/2" sizes are interchangeable
 **2" and 2 1/2" sizes are interchangeable*

Note: These sleeves are designed to be used with C50 bodies.

Custom Design Supplied upon Request.

304 Stainless Steel is standard material, also available in 316 Stainless Steel by quote.

Plated Carbon Steel					Plated Carbon Steel				
Size	Sleeve ID	Length (in.)	Part Name	Item #	Size	Sleeve ID	Length (in.)	Part Name	Item #
1/2"	0.875	1.3	05028CSCS	54205028	*1-1/2"	2.313	2.1	15210CSCS	☎
1/2"	0.938	1.3	05030CSCS	54205030	**2"	2.250	2.8	20208CSCS	☎
1/2"	1.000	1.3	05100CSCS	☎	**2"	2.313	2.8	20210CSCS	☎
3/4"	1.063	1.6	07102CSCS	54207102	**2"	2.375	2.8	20212CSCS	54220212
3/4"	1.125	1.6	07104CSCS	54207104	**2"	2.438	2.8	20214CSCS	54220214
3/4"	1.188	1.6	07106CSCS	54207106	**2"	2.500	2.8	20216CSCS	54220216
3/4"	1.250	1.6	07108CSCS	54207108	**2"	2.563	2.8	20218CSCS	54220218
3/4"	1.313	1.6	07110CSCS	54207110	**2"	2.625	2.8	20220CSCS	54220220
*1"	1.313	2.1	10110CSCS	54210110	**2"	2.688	2.8	20222CSCS	54220222
*1"	1.375	2.1	10112CSCS	54210112	**2"	2.750	2.8	20224CSCS	54220224
*1"	1.438	2.1	10114CSCS	54210114	**2"	2.813	2.8	20226CSCS	54220226
*1"	1.500	2.1	10116CSCS	54210116	**2"	2.875	2.8	20228CSCS	54220228
*1"	1.563	2.1	10118CSCS	54210118	**2"	2.938	2.8	20230CSCS	54220230
*1"	1.625	2.1	10120CSCS	54210120	**2-1/2"	3.000	2.8	25300CSCS	54225300
*1"	1.688	2.1	10122CSCS	54210122	**2-1/2"	3.063	2.8	25302CSCS	54225302
*1-1/4"	1.750	2.1	12124CSCS	☎	**2-1/2"	3.125	2.8	25304CSCS	54225304
*1-1/4"	1.813	2.1	12126CSCS	54212126	**2-1/2"	3.188	2.8	25306CSCS	54225306
*1-1/4"	1.875	2.1	12128CSCS	54212128	**2-1/2"	3.250	2.8	25308CSCS	54225308
*1-1/4"	1.938	2.1	12130CSCS	54212130	**2-1/2"	3.313	2.8	25310CSCS	☎
*1-1/2"	2.000	2.1	15200CSCS	54215200	**2-1/2"	3.375	2.8	25312CSCS	☎
*1-1/2"	2.063	2.1	15202CSCS	54215202	3"	3.313	3.5	30310CSCS	54230310
*1-1/2"	2.125	2.1	15204CSCS	54215204	3"	3.375	3.5	30312CSCS	54230312
*1-1/2"	2.188	2.1	15206CSCS	54215206	3"	3.438	3.5	30314CSCS	54230314
*1-1/2"	2.250	2.1	15208CSCS	54215208	3"	3.500	3.5	30316CSCS	54230316

Plated Carbon Steel					Plated Carbon Steel				
Size	Sleeve ID	Length (in.)	Part Name	Item #	Size	Sleeve ID	Length (in.)	Part Name	Item #
3"	3.563	3.5	30318CSCS	54230318	5"	5.375	5.5	50512CSCS	☎
3"	3.625	3.5	30320CSCS	54230320	5"	5.625	5.5	50520CSCS	54250520
3"	3.688	3.5	30322CSCS	54230322	5"	5.750	5.5	50524CSCS	54250524
3"	3.750	3.5	30324CSCS	54230324	5"	5.875	5.5	50528CSCS	☎
3"	3.813	3.5	30326CSCS	54230326	6"	6.313	6.1	60610CSCS	54260610
3"	3.875	3.5	30328CSCS	54230328	6"	6.375	6.1	60612CSCS	54260612
3"	3.938	3.5	30330CSCS	54230330	6"	6.438	6.1	60614CSCS	☎
3"	4.000	3.5	30400CSCS	54230400	6"	6.500	6.1	60616CSCS	54260616
3"	4.063	3.5	30402CSCS	54230402	6"	6.563	6.1	60618CSCS	54260618
3"	4.125	3.5	30404CSCS	54230404	6"	6.625	6.1	60620CSCS	54260620
3"	4.188	3.5	30406CSCS	☎	6"	6.875	6.1	60628CSCS	54260628
4"	4.313	3.9	40410CSCS	54240410	8"	6.938	6.1	60630CSCS	54260630
4"	4.375	3.9	40412CSCS	54240412	8"	7.125	6.6	60704CSCS	☎
4"	4.438	3.9	40414CSCS	54240414	8"	8.500	6.6	80816CSCS	542808161
4"	4.500	3.9	40416CSCS	54240416	8"	8.625	6.6	80820CSCS	54280820
4"	4.563	3.9	40418CSCS	54240418	8"	8.750	6.6	80824CSCS	54280824
4"	4.625	3.9	40420CSCS	54240420	8"	9.000	6.6	80900CSCS	☎
4"	4.688	3.9	40422CSCS	54240422	8"	9.125	6.6	80904CSCS	54280904
4"	4.750	3.9	40424CSCS	54240424	8"	9.500	6.6	80916CSCS	54280916
4"	4.813	3.9	40426CSCS	54240426	8"	9.625	6.6	80920CSCS	54280920
4"	4.875	3.9	40428CSCS	54240428	10"	10.750	7.4	1001024CSCS	542101024
4"	4.938	3.9	40430CSCS	54240430	10"	10.875	7.4	1001028CSCS	542101028
4"	5.000	3.9	40500CSCS	54240500	12"	12.835	9.45	1201227CSCS	542121227
4"	5.063	3.9	40502CSCS	54240502	12"	13.150	9.45	1201305CSCS	542121305

CSCS
CRIMP SLEEVE
 Made in the U.S.A.



*1", 1 1/4", 1 1/2" sizes are interchangeable
 **2" and 2 1/2" sizes are interchangeable

Note: These sleeves are designed to be used with C50 bodies.

Custom Design Supplied upon Request.

304 Stainless Steel is standard material, also available in 316 Stainless Steel by quote.





CSAL CRIMP SLEEVE

Made in the U.S.A.



**1", 1 1/4", 1 1/2" sizes are interchangeable
**2" and 2 1/2" sizes are interchangeable*

Custom design supplied upon request.

Also available in Anodized Aluminum in assorted colors and private label by quote.



Size	Sleeve ID	Length (in.)	Aluminum	
			Part Name	Item #
1/2"	0.688	1.3	05022CSAL	☎
1/2"	0.813	1.3	05026CSAL	☎
1/2"	0.875	1.3	05028CSAL	☎
1/2"	0.938	1.3	05030CSAL	☎
1/2"	1.000	1.3	05100CSAL	☎
3/4"	1.063	1.6	07102CSAL	☎
3/4"	1.125	1.6	07104CSAL	☎
3/4"	1.188	1.6	07106CSAL	☎
3/4"	1.250	1.6	07108CSAL	☎
3/4"	1.313	1.6	07110CSAL	☎
*1"	1.313	2.1	10110CSAL	☎
*1"	1.375	2.1	10112CSAL	☎
*1"	1.438	2.1	10114CSAL	☎
*1"	1.500	2.1	10116CSAL	54910116
*1"	1.563	2.1	10118CSAL	54910118
*1"	1.625	2.1	10120CSAL	☎
*1"	1.688	2.1	10122CSAL	☎
*1-1/4"	1.750	2.1	12124CSAL	☎
*1-1/4"	1.813	2.1	12126CSAL	☎
*1-1/4"	1.875	2.1	12128CSAL	☎
*1-1/4"	1.938	2.1	12130CSAL	☎
*1-1/2"	2.000	2.1	15200CSAL	☎
*1-1/2"	2.063	2.1	15202CSAL	☎
*1-1/2"	2.125	2.1	15204CSAL	☎
*1-1/2"	2.188	2.1	15206CSAL	☎
*1-1/2"	2.250	2.1	15208CSAL	☎
*1-1/2"	2.313	2.1	15210CSAL	☎
**2"	2.250	2.8	20208CSAL	☎
**2"	2.313	2.8	20210CSAL	☎
**2"	2.375	2.8	20212CSAL	☎
**2"	2.438	2.8	20214CSAL	☎
**2"	2.500	2.8	20216CSAL	54920216
**2"	2.563	2.8	20218CSAL	54920218
**2"	2.625	2.8	20220CSAL	54920220
**2"	2.688	2.8	20222CSAL	☎
**2"	2.750	2.8	20224CSAL	54920224
**2"	2.813	2.8	20226CSAL	☎
**2"	2.875	2.8	20228CSAL	☎
**2"	2.938	2.8	20230CSAL	☎
**2-1/2"	3.000	2.8	25300CSAL	☎
**2-1/2"	3.063	2.8	25302CSAL	☎
**2-1/2"	3.125	2.8	25304CSAL	☎
**2-1/2"	3.188	2.8	25306CSAL	☎
**2-1/2"	3.250	2.8	25308CSAL	☎
**2-1/2"	3.313	2.8	25310CSAL	☎

Size	Sleeve ID	Length (in.)	Aluminum	
			Part Name	Item #
**2-1/2"	3.375	2.8	25312CSAL	☎
3"	3.313	3.5	30310CSAL	☎
3"	3.375	3.5	30312CSAL	☎
3"	3.438	3.5	30314CSAL	542303141
3"	3.500	3.5	30316CSAL	542303161
3"	3.563	3.5	30318CSAL	54930318
3"	3.625	3.5	30320CSAL	54230321
3"	3.688	3.5	30322CSAL	54930322
3"	3.750	3.5	30324CSAL	54930324
3"	3.813	3.5	30326CSAL	542303261
3"	3.875	3.5	30328CSAL	542303281
3"	3.938	3.5	30330CSAL	54930330
3"	4.000	3.5	30400CSAL	54930400
3"	4.063	3.5	30402CSAL	☎
3"	4.125	3.5	30404CSAL	☎
3"	4.188	3.5	30406CSAL	☎
4"	4.313	3.9	40410CSAL	☎
4"	4.375	3.9	40412CSAL	☎
4"	4.438	3.9	40414CSAL	☎
4"	4.500	3.9	40416CSAL	☎
4"	4.563	3.9	40418CSAL	542404191
4"	4.625	3.9	40420CSAL	☎
4"	4.688	3.9	40422CSAL	54940422
4"	4.750	3.9	40424CSAL	54940424
4"	4.813	3.9	40426CSAL	54940426
4"	4.875	3.9	40428CSAL	54940440
4"	4.938	3.9	40430CSAL	54940430
4"	5.000	3.9	40500CSAL	54940500
4"	5.063	3.9	40502CSAL	☎
4"	5.125	3.9	40504CSAL	☎
4"	5.188	3.9	40506CSAL	☎
5"	5.625	5.5	50520CSAL	☎
6"	6.313	6.1	60610CSAL	☎
6"	6.375	6.1	60612CSAL	☎
6"	6.500	6.1	60616CSAL	☎
6"	6.563	6.1	60618CSAL	☎
6"	6.625	6.1	60620CSAL	☎
6"	6.875	6.1	60628CSAL	☎
6"	6.938	6.1	60630CSAL	☎
6"	7.125	6.1	60704CSAL	☎
8"	8.500	8.1	80816CSAL	☎
8"	8.625	8.1	80820CSAL	☎
8"	9.125	8.1	80904CSAL	☎
8"	9.500	8.1	80916CSAL	☎
8"	9.625	8.1	80920CSAL	☎

CSAL
CRIMP SLEEVE
Made in the U.S.A.



*1", 1 1/4", 1 1/2" sizes are interchangeable
**2" and 2 1/2" sizes are interchangeable

Custom design supplied upon request.

Also available in Anodized Aluminum in assorted colors and private label by quote.



C50 External Crimp System - CSAL



C50HD HEAVY DUTY CRIMP FERRULE

Made in the U.S.A.



Custom design supplied upon request.

304 Stainless Steel is the standard material.

Please call for special quote in 316 Stainless Steel.

Size	Ferrule ID (in.)	Stainless Steel		Plated Carbon Steel	
		Part Name	Item #	Part Name	Item #
1"	1.5	07116C50HDSS	☎	07116C50HDCS	☎
1"	1.625	10120C50HDSS	☎	10120C50HDCS	☎
1"	1.750	10124C50HDSS	☎	10124C50HDCS	☎
1"	1.938	10130C50HDSS	☎	10130C50HDCS	☎
1-1/2"	2.125	15204C50HDSS	☎	15204C50HDCS	☎
1-1/2"	2.250	15208C50HDSS	☎	15208C50HDCS	☎
1-1/2"	2.375	15212C50HDSS	☎	15212C50HDCS	☎
1-1/2"	2.438	15214C50HDSS	☎	15214C50HDCS	☎
2"	2.688	20222C50HDSS	☎	20222C50HDCS	54020222H
2"	2.75	20224C50HDSS	☎	20224C50HDCS	☎
2"	2.813	20226C50HDSS	☎	20226C50HDCS	54020226H
2"	2.875	20228C50HDSS	☎	20228C50HDCS	54020228H
2"	2.938	20230C50HDSS	☎	20230C50HDCS	☎
2-1/2"	3.250	25308C50HDSS	54125308H	25308C50HDCS	54025308H
2-1/2"	3.5	25316C50HDSS	☎	25316C50HDCS	☎
3"	3.625	30320C50HDSS	☎	30320C50HDCS	☎
3"	3.688	30322C50HDSS	☎	30322C50HDCS	54030322H
3"	3.750	30324C50HDSS	54130324H	30324C50HDCS	54030324H
3"	3.813	30326C50HDSS	☎	30326C50HDCS	☎
3"	3.875	30328C50HDSS	☎	30328C50HDCS	☎
3"	3.938	30330C50HDSS	☎	30330C50HDCS	54030330H
3"	4.000	30400C50HDSS	☎	30400C50HDCS	☎
3"	4.063	30402C50HDSS	☎	30402C50HDCS	☎
4"	4.688	40422C50HDSS	☎	40422C50HDCS	54040422H
4"	4.750	40424C50HDSS	54140424H	40424C50HDCS	54040424H
4"	4.813	40426C50HDSS	☎	40426C50HDCS	54040426H
4"	4.875	40428C50HDSS	54140428H	40428C50HDCS	54040428H
4"	4.938	40430C50HDSS	☎	40430C50HDCS	☎
4"	5.000	40500C50HD	☎	40500C50HDCS	☎
4"	5.063	40502C50HDSS	☎	40502C50HDCS	54040502H

C50 External Crimp System - C50HD

114

iPhone & Android APPLication for determining Crimp Specifications

- Plug in the specs and start crimping. It is simple and easy, improving productivity.
- No complicated charts to read. Avoid frustration, lost time and bad crimps.
- Compatible with iPhone, iPod, iPad & Android phones & tablets.
- iPhone App go to www.ptcoupling.com or iTunes to download Crimp Diameter Calculator App to your iPhone, iPod Touch or iPad, & iPad mini.
- Android App go to www.ptcoupling.com or Google Play to download Crimp Diameter Calculator App to your Android Device.



PTS8

The Perfect Crimper for your Workshop
On Site or Mobile Trailer Applications.

Part#	Item#
PTS8 MACHINE	5901502

Slide Bearing Technology

- Maximum productivity with very low maintenance cost
- No grease for consistent efficient crimp force, improving ability to document
- No grease, improving cleanliness of machine and hose assemblies
- No grease increases operator safety and happiness
- Wearing parts are easy to replace and less costly
- Actual crimp force closer to theoretical force, allowing buyer to make a more informed buying decision
- iPhone, iPad, App available
- Android App available

Capabilities	
SAE R15 with 1 piece couplings (incl. 90's)	2"
SAE R15 with 2 piece couplings (incl. 90's)	1½"
Industrial with Cam and Groove	4"
Maximum crimp diameter	5.47"
Opening travel	1.77"
Opening without dies	7.48"
Crimp force	220 tons

Specifications	
Electric Power Amp Draw 1800 RPM 25 Amp	220 volt, 60HZ, single phase
Foot print L x W x H	32" x 24" x 32"
Weight	706 pounds
Oil Reservoir	14.5 gallons
Noise	69 dBA
Type of Hydraulic Oil	DTE 25

Dies	
Series 239L dies, 21 sizes from .268" to 2.44"	avg. wt. 5 lbs each die set
Series 237L dies, 18 sizes from 2.12" to 5.15"	avg. wt. 22 lbs each die set
237.239.2L2 Adapter Die (needed if planning to use PB239L dies)	24 lbs



PTS8 Instruction Video

Options Package

- SHS - Mirror
- QDC 239.3 Quick Die Change Tool



TUU - Heavy Duty Steel Table



For larger hose up to 10" including ANSI Flanges, contact your local PT sales representative about additional machines.

HM 325
HM 375
HM 380



Industrial Use up to: 5" Camlock
Ansi 150 Flange: 3"

HM 480



Industrial Use up to: 10" Camlock
Ansi 150 Flange: 8"

HM 660



Industrial Use up to: 10" Camlock
Ansi 150 Flange: 10"



The bodies on this page are to be assembled or installed using an **Internal Expansion Pull Mandrel (PM) system**. The Ferrules used with the bodies on this page are located on page 117 - 118.

TMPM
NPT MALE THREAD
Made in the U.S.A.



Size	Stainless Steel		Plated Carbon Steel	
	Part Name	Item #	Part Name	Item #
1"	10TMPMSS	5731002	10TMPMCS	5721002
1-1/4"	12TMPMSS	5731202	12TMPMCS	5721202
1-1/2"	15TMPMSS	5731502	15TMPMCS	5721502
2"	20TMPMSS	5732002	20TMPMCS	5722002
2-1/2"	25TMPMSS	5732502	25TMPMCS	5722502
3"	30TMPMSS	5733002	30TMPMCS	5723002
4"	40TMPMSS	5734002	40TMPMCS	5724002
6"	60TMPMSS	☎	60TMPMCS	5726002

WPM
BUTT-WELD PIPE
SCHEDULE 40
Made in the U.S.A.



Size	Stainless Steel		Plated Carbon Steel	
	Part Name	Item #	Part Name	Item #
1-1/2"	15WPMSS	5731514	15WPMCS	5721514
2"	20WPMSS	5732014	20WPMCS	5722014
2-1/2"	25WPMSS	☎	25WPMCS	5722514
3"	30WPMSS	☎	30WPMCS	5723014
4"	40WPMSS	5734014	40WPMCS	5724014

CSEPM
CALIFORNIA STUB
END (HEAVY DUTY
RAISED END)
Made in the U.S.A.



Size	Plated Carbon Steel	
	Part Name	Item #
2"	20CSEPMCS	5722025
2-1/2"	25CSEPMCS	5722525
3"	30CSEPMCS	5723025
4"	40CSEPMCS	5724025

Custom design supplied upon request.

304 Stainless Steel is the standard material. Please call for special quote on 316 Stainless Steel.

VPM
GROOVED PIPE END
Made in the U.S.A.



Size	Stainless Steel		Plated Carbon Steel	
	Part Name	Item #	Part Name	Item #
1"	10VPMSS	5731016	10VPMCS	5721016
1-1/4"	12VPMSS	☎	12VPMCS	5721216
1-1/2"	15VPMSS	5731516	15VPMCS	5721516
2"	20VPMSS	5732016	20VPMCS	5722016
2-1/2"	25VPMSS	5732516	25VPMCS	5722516
3"	30VPMSS	5733016	30VPMCS	5723016
4"	40VPMSS	5734016	40VPMCS	5724016
6"	60VPMSS	☎	60VPMCS	5726016

PFFPM BODY
ANSI PIPE FLANGE 150#
FLANGE MODIFIED TO
SLIDE OVER FERRULE
Made in the U.S.A.



Size	Stainless Steel		Plated Carbon Steel	
	Part Name	Item #	Part Name	Item #
2"	20PFFPMSS	5732005	20PFFPMCS	☎
3"	30PFFPMSS	5733005	30PFFPMCS	5723005
4"	40PFFPMSS	5734005	40PFFPMCS	5724005

Pipe Flange bolt pattern conforms to ANSI B16.5 Class 150.

Stainless Steel			
Size	Ferrule ID (in.)	Part Name	Item #
1"	1.500	10116PMSS	54510116
1"	1.563	10118PMSS	54510118
1"	1.625	10120PMSS	54510120
1"	1.688	10122PMSS	☎
1"	1.750	10124PMSS	☎
1-1/4"	1.563	12118PMSS	54512118
1-1/4"	1.750	12124PMSS	54512124
1-1/4"	1.813	12126PMSS	54512126
1-1/4"	1.875	12128PMSS	☎
1-1/2"	1.938	12130PMSS	☎
1-1/2"	1.813	15126PMSS	☎
1-1/2"	2.063	15202PMSS	54515202
1-1/2"	2.125	15204PMSS	54515204
1-1/2"	2.188	15206PMSS	54515206
1-1/2"	2.250	15208PMSS	54515208
1-1/2"	2.313	15210PMSS	☎
1-1/2"	2.375	15212PMSS	☎
1-1/2"	2.438	15214PMSS	☎
2"	2.375	20212PMSS	54520212
2"	2.500	20216PMSS	54520216
2"	2.563	20218PMSS	54520218
2"	2.625	20220PMSS	54520220
2"	2.688	20222PMSS	54520222
2"	2.750	20224PMSS	54520224
2"	2.813	20226PMSS	☎
2"	2.875	20228PMSS	☎
2"	2.938	20230PMSS	☎
2"	3.063	20302PMSS	☎
2"	3.125	20304PMSS	☎
2-1/2"	3.125	25304PMSS	54525304
2-1/2"	3.188	25306PMSS	54525306
2-1/2"	3.250	25308PMSS	54525308
2-1/2"	3.313	25310PMSS	54525310

Stainless Steel			
Size	Ferrule ID (in.)	Part Name	Item #
2-1/2"	3.438	25314PMSS	☎
3"	3.250	30308PMSS	☎
3"	3.438	30314PMSS	☎
3"	3.563	30318PMSS	54530318
3"	3.625	30320PMSS	54530320
3"	3.688	30322PMSS	54530322
3"	3.750	30324PMSS	54530324
3"	3.813	30326PMSS	54530326
3"	3.875	30328PMSS	54530328
3"	3.938	30330PMSS	☎
3"	4.000	30400PMSS	☎
3"	4.063	30402PMSS	☎
3"	4.125	30404PMSS	☎
3"	4.188	30406PMSS	☎
3"	4.250	30408PMSS	☎
4"	4.250	40408PMSS	☎
4"	4.500	40416PMSS	☎
4"	4.563	40418PMSS	☎
4"	4.625	40420PMSS	☎
4"	4.688	40422PMSS	☎
4"	4.750	40424PMSS	54540424
4"	4.813	40426PMSS	☎
4"	4.875	40428PMSS	☎
4"	4.938	40430PMSS	54540430
4"	5.000	40500PMSS	☎
4"	5.063	40502PMSS	☎
4"	5.125	40504PMSS	☎
4"	5.188	40506PMSS	☎
4"	5.250	40508PMSS	☎
4"	5.313	40510PMSS	☎
6"	6.938	60630PMSS	☎
6"	7.063	60702PMSS	☎
6"	7.250	60708PMSS	☎

PMSS FERRULE
Made in the U.S.A.



Designed to be used with PMSS Pull Mandrel bodies (Internal Expanded Stainless Steel bodies).

Custom design supplied upon request.

304 Stainless Steel is the standard material.

Please call for special quote in 316 Stainless Steel.





PMCS FERRULE

Made in the U.S.A.



Designed to be used
with PMCS **Pull Mandrel**
bodies (**Internal Expanded**
Carbon Steel bodies).

Custom design supplied
upon request.

Plated Carbon Steel			
Size	Ferrule ID (in.)	Part Name	Item #
1"	1.500	10116PMCS	54410116
1"	1.563	10118PMCS	54410118
1"	1.625	10120PMCS	☎
1"	1.688	10122PMCS	54410122
1"	1.750	10124PMCS	54410124
1-1/4"	1.563	12118PMCS	☎
1-1/4"	1.750	12124PMCS	☎
1-1/4"	1.813	12126PMCS	54412126
1-1/4"	1.875	12128PMCS	54412128
1-1/2"	1.938	12130PMCS	54412130
1-1/2"	1.813	15126PMCS	☎
1-1/2"	2.063	15202PMCS	☎
1-1/2"	2.125	15204PMCS	54415204
1-1/2"	2.188	15206PMCS	54415206
1-1/2"	2.250	15208PMCS	☎
1-1/2"	2.313	15210PMCS	54415210
1-1/2"	2.375	15212PMCS	54415212
1-1/2"	2.438	15214PMCS	54415214
2"	2.375	20212PMCS	☎
2"	2.500	20216PMCS	☎
2"	2.563	20218PMCS	54420218
2"	2.625	20220PMCS	54420220
2"	2.688	20222PMCS	54420222
2"	2.750	20224PMCS	54420224
2"	2.813	20226PMCS	54420226
2"	2.875	20228PMCS	54420228
2"	2.938	20230PMCS	54420230
2"	3.063	20302PMCS	☎
2"	3.125	20304PMCS	☎
2-1/2"	3.125	25304PMCS	☎
2-1/2"	3.188	25306PMCS	☎
2-1/2"	3.250	25308PMCS	54425308
2-1/2"	3.313	25310PMCS	54425310
2-1/2"	3.375	25312PMCS	☎

Plated Carbon Steel			
Size	Ferrule ID (in.)	Part Name	Item #
2-1/2"	3.438	25314PMCS	54425314
3"	3.250	30308PMCS	54430308
3"	3.438	30314PMCS	54430314
3"	3.563	30318PMCS	54430318
3"	3.625	30320PMCS	54430320
3"	3.688	30322PMCS	54430322
3"	3.750	30324PMCS	54430324
3"	3.813	30326PMCS	54430326
3"	3.875	30328PMCS	☎
3"	3.938	30330PMCS	54430330
3"	4.000	30400PMCS	54430400
3"	4.063	30402PMCS	54430402
3"	4.125	30404PMCS	☎
3"	4.188	30406PMCS	54430406
3"	4.250	30408PMCS	54430408
4"	4.250	40408PMCS	☎
4"	4.25	40412PMCS	☎
4"	4.500	40416PMCS	54440416
4"	4.563	40418PMCS	☎
4"	4.625	40420PMCS	54440420
4"	4.688	40422PMCS	54440422
4"	4.750	40424PMCS	54440424
4"	4.813	40426PMCS	54440426
4"	4.875	40428PMCS	54440428
4"	4.938	40430PMCS	54440430
4"	5.000	40500PMCS	54440500
4"	5.063	40502PMCS	☎
4"	5.125	40504PMCS	☎
4"	5.188	40506PMCS	☎
4"	5.250	40508PMCS	☎
4"	5.313	40510PMCS	☎
6"	6.938	60630PMCS	☎
6"	7.063	60702PMCS	☎
6"	7.250	60708PMCS	☎

These bodies are to be used with a **Pull Mandrel (PM)** style Internal Expansion Systems and **SE (Segmented End)** Sanitary Ferrules, available on page 121.

Stainless Steel			
Size	Part Name	Item #	Description
1"	10TCPM	5761009	Body
1-1/2"	15TCPM	5761509	Body
2"	20TCPM	5762009	Body
2-1/2"	25TCPM	5762509	Body
3"	30TCPM	5763009	Body
4"	40TCPM	5764009	Body

TCPM
SANITARY TRI-CLAMP
Made in the U.S.A.



Stainless Steel			
Size	Part Name	Item #	Description
1"	10BSFPM	5761010	Body
1-1/2"	15BSFPM	5761510	Body
2"	20BSFPM	5762010	Body
2-1/2"	25BSFPM	5762510	Body
3"	30BSFPM	5763010	Body
4"	40BSFPM	5764010	Body

BSFPM
BEVEL SEAT FEMALE
Made in the U.S.A.



Bevel Seat Nut must be ordered separately, sold on page 120.

Stainless Steel			
Size	Part Name	Item #	Description
2"	20BSMPM	5762011	Body
3"	30BSMPM	5763011	Body

BSMPM
BEVEL SEAT MALE
Made in the U.S.A.



Stainless Steel			
Size	Part Name	Item #	Description
1-1/2"	15ILFPM	5761512	Body
2"	20ILFPM	5762012	Body
3"	30ILFPM	5763012	Body
4"	40ILFPM	5764012	Body

ILFPM
SANITARY I-LINE
BODY FEMALE
Made in the U.S.A.



Stainless Steel			
Size	Part Name	Item #	Description
1-1/2"	15ILMPM	5761513	Body
2"	20ILMPM	5762013	Body
2 1/2"	25ILMPM	5762513	Body
3"	30ILMPM	5763013	Body
4"	40ILMPM	5764013	Body

ILMPM
SANITARY I-LINE
BODY MALE
Made in the U.S.A.



Internal Crimp System



These bodies are to be used with Segmented End (SE) style Internal Expansion Systems and SE Sanitary Ferrules, available on page 121.

TCSE SANITARY TRI-CLAMP

Made in the U.S.A.



Stainless Steel			
Size	Part Name	Item #	Description
1-1/2"	15TCSE	5751509	Body
2"	20TCSE	5752009	Body
2-1/2"	25TCSE	5752509	Body
3"	30TCSE	5753009	Body
4"	40TCSE	5754009	Body

BSFSE SANITARY BEVEL SEAT FEMALE

Made in the U.S.A.



Stainless Steel			
Size	Part Name	Item #	Description
1"	10BSFSE	5751510	Body
1-1/2"	15BSFSE	5751510	Body
2"	20BSFSE	5752010	Body
2-1/2"	25BSFSE	5752510	Body
3"	30BSFSE	5753010	Body

TESE WELD-TUBE END

Made in the U.S.A.



Stainless Steel			
Size	Part Name	Item #	Description
1-1/2"	15TESE	5751515	Body
2"	20TESE	5752015	Body
2-1/2"	25TESE	5752515	Body
3"	30TESE	5753015	Body
4"	40TESE	5754015	Body

Bevel Seat Nut must be ordered separately, sold below.

TRI-CLAMP SANITARY



Tri-Clamp		
Size	Part Name	Item #
1" - 1-1/2"	13MHHM CLAMPS	5880710
2"	13MHHM CLAMPS	5880720
2-1/2"	13MHHM CLAMPS	5880725
3"	13MHHM CLAMPS	5880730
4"	13MHHM CLAMPS	5880740
6"	13MHHM CLAMPS	5880750

BSF BEVEL SEAT NUT



Bevel Seat Nut		
Size	Part Name	Item #
1"	10BSF ACME NUT	5880059
1-1/2"	15BSF ACME NUT	5880057
2"	20BSF ACME NUT	5880043
2-1/2"	25BSF ACME NUT	5880058
3"	30BSF ACME NUT	5880044
4"	40BSF ACME NUT	5880045

304 Stainless Steel is the standard material for bodies. Please call for special quote on 316 Stainless Steel.

Stainless Steel			
Size	Ferrule ID (in.)	Part Name	Item #
1"	1.375	10112SE	54710112
1"	1.500	10116SE	54710116
1"	1.563	10118SE	54710118
1"	1.625	10120SE	54710120
1"	1.750	10124SE	54710124
1-1/2"	1.813	15126SE	54715126
1-1/2"	1.875	15128SE	54715128
1-1/2"	2.000	15200SE	54715200
1-1/2"	2.063	15202SE	54715202
1-1/2"	2.125	15204SE	54715204
1-1/2"	2.188	15206SE	54715206
1-1/2"	2.250	15208SE	54715208
1-1/2"	2.213	15210SE	54715210
1-1/2"	2.563	15218SE	54715218
2"	2.375	20212SE	54720212
2"	2.438	20214SE	54720214
2"	2.500	20216SE	54720216
2"	2.563	20218SE	54720218
2"	2.625	20220SE	54720220
2"	2.688	20222SE	54720222
2"	2.750	20224SE	54720224
2"	2.812	20226SE	54720226
2"	2.875	20228SE	54720228
2"	2.938	20230SE	54720230
2"	3.000	20300SE	54720300
2-1/2"	3.063	20302SE	54720302
2-1/2"	3.063	25302SE	54725302
2-1/2"	3.125	25304SE	54725304
2-1/2"	3.188	25306SE	54725306
2-1/2"	3.250	25308SE	54725308

Stainless Steel			
Size	Ferrule ID (in.)	Part Name	Item #
2-1/2"	3.313	25310SE	54725310
2-1/2"	3.375	25312SE	54725312
2-1/2"	3.500	25316SE	54725316
2-1/2"	3.563	25318SE	54725318
2-1/2"	3.438	30314SE	54730314
3"	3.500	30316SE	54730316
3"	3.562	30318SE	54730318
3"	3.625	30320SE	54730320
3"	3.688	30322SE	54730322
3"	3.750	30324SE	54730324
3"	3.813	30326SE	54730326
3"	3.875	30328SE	54730328
3"	3.938	30330SE	54730330
3"	4.000	30400SE	54730400
3"	4.063	30402SE	54730402
3"	4.125	30404SE	54730404
3"	4.188	30406SE	54730406
3"	4.250	30408SE	54730408
4"	4.563	40418SE	54740418
4"	4.625	40420SE	54740420
4"	4.688	40422SE	54740422
4"	4.750	40424SE	54740424
4"	4.813	40426SE	54740426
4"	4.875	40428SE	54740428
4"	4.938	40430SE	54740430
4"	5.063	40502SE	54740502
4"	5.125	40504SE	54740504
4"	5.188	40506SE	54740506
4"	5.313	40510SE	54740510

**SE
SANITARY FERRULE**
Made in the U.S.A.



Designed to be used with Pull Mandrel (PM) or SE Sanitary Bodies (Internal Sanitary Expansion).

Cannot be used in place of SFC50

Custom design supplied upon request.

304 Stainless Steel is the standard material.

Please call for special quote in 316 Stainless Steel.





These bodies are to be used with External Crimp Systems and SFC50 Sanitary Ferrules. found on page 122

TCC50
SANITARY TRI-CLAMP
Made in the U.S.A.



Stainless Steel			
Size	Part Name	Item #	Description
1/2"	05TCC50	5770509	BODY W/BUMPER
3/4"	07TCC50	5770709	BODY W/BUMPER
1"	10TCC50	5771009	BODY W/BUMPER
1-1/2"	15TCC50	5771509	BODY W/BUMPER
2"	20TCC50	5772009	BODY W/BUMPER
2-1/2"	25TCC50	5772509	BODY W/BUMPER
3"	30TCC50	5773009	BODY W/BUMPER
4"	40TCC50	5774009	BODY W/BUMPER

TCC50X
SANITARY TRI-CLAMP
Made in the U.S.A.



Stainless Steel			
Size	Part Name	Item #	Description
1/2"	05TCC50X	5780509	BODY
3/4"	07TCC50X	5780709	BODY
1"	10TCC50X	5771009C	BODY
1-1/2"	15TCC50X	5781509	BODY
2"	20TCC50X	5782009	BODY
2-1/2"	25TCC50X	5782509	BODY
3"	30TCC50X	5783009	BODY
4"	40TCC50X	5784009	BODY
6"	60TCC50X	5786009	BODY

BSFC50
SANITARY BEVEL
SEAT FEMALE
Made in the U.S.A.



Stainless Steel			
Size	Part Name	Item #	Description
1"	10BSFC50	5771010	BODY W/BUMPER
1-1/2"	15BSFC50	5771510	BODY W/BUMPER
2"	20BSFC50	5772010	BODY W/BUMPER
2-1/2"	25BSFC50	5772510	BODY W/BUMPER
3"	30BSFC50	5773010	BODY W/BUMPER
4"	40BSFC50	5774010	BODY W/BUMPER

Bevel Seat Nut must be ordered separately, sold on page 120.

BSMC50
SANITARY BEVEL
SEAT MALE
Made in the U.S.A.



Stainless Steel			
Size	Part Name	Item #	Description
2"	20BSMC50	5772011	BODY W/BUMPER
3"	30BSMC50	5773011	BODY W/BUMPER

BSMC50X
SANITARY BEVEL
SEAT MALE
Made in the U.S.A.



Stainless Steel			
Size	Part Name	Item #	Description
1"	10BSMC50X	☎	BODY
1-1/2"	15BSMC50X	5781511	BODY
2"	20BSMC50X	5782011	BODY
3"	30BSMC50X	5783011	BODY
4"	40BSMC50X	5784011	BODY

304 Stainless Steel is the standard material. Please call for special quote on 316 Stainless Steel.

Stainless Steel			
Size	Part Name	Item #	Description
1"	10BSFC50X	5781010	BODY
1-1/2"	15BSFC50X	5781510	BODY
2"	20BSFC50X	5782010	BODY
2-1/2"	25BSFC50X	5782510	BODY
3"	30BSFC50X	5783010	BODY
4"	40BSFC50X	5784010	BODY

Bevel Seat Nut must be ordered seperately, sold on page 106.

Stainless Steel			
Size	Part Name	Item #	Description
1-1/2"	15ILFC50	5771512	BODY W/BUMPER
2"	20ILFC50	5772012	BODY W/BUMPER
2-1/2"	25ILFC50	5772512	BODY W/BUMPER
3"	30ILFC50	5773012	BODY W/BUMPER
4"	40ILFC50	5774012	BODY W/BUMPER

Stainless Steel			
Size	Part Name	Item #	Description
1-1/2"	15ILMC50	5771513	BODY W/BUMPER
2"	20ILMC50	5772013	BODY W/BUMPER
2-1/2"	25ILMC50	5772513	BODY W/BUMPER
3"	30ILMC50	5773013	BODY W/BUMPER
4"	40ILMC50	5774013	BODY W/BUMPER

Stainless Steel			
Size	Part Name	Item #	Description
1-1/2"	15TEC50	5771515	BODY W/BUMPER
2"	20TEC50	5772015	BODY W/BUMPER
2-1/2"	25TEC50	5772515	BODY W/BUMPER
3"	30TEC50	5773015	BODY W/BUMPER
4"	40TEC50	5774015	BODY W/BUMPER

Stainless Steel			
Size	Part Name	Item #	Description
1-1/2"	15TEC50X	5781515	BODY
2"	20TEC50X	5782015	BODY
2-1/2"	25TEC50X	5782515	BODY
3"	30TEC50X	5783015	BODY
4"	40TEC50X	5784015	BODY

BSFC50X
SANITARY BEVEL SEAT
FEMALE
Made in the U.S.A.



ILFC50
SANITARY I-LINE
FEMALE
Made in the U.S.A.



ILMC50
SANITARY I-LINE
MALE
Made in the U.S.A.



TEC50
SANITARY TUBE END
Made in the U.S.A.



TEC50X
SANITARY TUBE END
Made in the U.S.A.



304 Stainless Steel is the standard material. Please call for special quote on 316 Stainless Steel.



SFC50 SANITARY CRIMP FERRULE

Made in the U.S.A.



Designed to be used with C50 Sanitary Bodies. Can be used in place of SE Ferrules.

Custom design supplied upon request.

304 Stainless Steel is the standard material.

Please call for special quote in 316 Stainless Steel.

Stainless Steel				Stainless Steel			
Size	Ferrule ID (in.)	Part Name	Item #	Size	Ferrule ID (in.)	Part Name	Item #
3/4"	1.125	07104SFC50	☎	2"	3.063	20302SFC50	54120302P
3/4"	1.313	07110SFC50	54107110P	2"	3.250	20308SFC50	☎
1"	1.500	10116SFC50	54110116P	2-1/2"	3.125	25304SFC50	54125304P
1"	1.563	10118SFC50	54110118P	2-1/2"	3.188	25306SFC50	54125306P
1"	1.625	10120SFC50	54110120P	2-1/2"	3.250	25308SFC50	54125308P
1"	1.688	10122SFC50	54110122P	2-1/2"	3.313	25310SFC50	54125310P
1"	1.750	10124SFC50	54110124P	2-1/2"	3.563	25318SFC50	54125318P
1"	1.813	10126SFC50	☎	2-1/2"	3.625	25320SFC50	54125320P
1-1/2"	1.812	15126SFC50	☎	2-1/2"	3.688	25322SFC50	☎
1-1/2"	1.875	15128SFC50	54115128P	2-1/2"	3.750	25324SFC50	☎
1-1/2"	1.938	15130SFC50	54115130P	3"	3.625	30320SFC50	☎
1-1/2"	2.000	15200SFC50	54115200P	3"	3.688	30322SFC50	54130322P
1-1/2"	2.063	15202SFC50	54115202P	3"	3.750	30324SFC50	54130324P
1-1/2"	2.125	15204SFC50	54115204P	3"	3.813	30326SFC50	54130326P
1-1/2"	2.188	15206SFC50	54115206P	3"	3.875	30328SFC50	54130328P
1-1/2"	2.250	15208SFC50	54115208P	3"	3.938	30330SFC50	54130330P
1-1/2"	2.313	15210SFC50	54115210P	3"	4.000	30400SFC50	54130400P
1-1/2"	2.438	15214SFC50	54115214P	3"	4.063	30402sfc50	54130402P
2"	2.438	20214SFC50	54120214P	4"	4.375	40412SFC50	☎
2"	2.500	20216sfc50	54120216P	4"	4.563	40418SFC50	☎
2"	2.563	20218SFC50	54120218P	4"	4.625	40420SFC50	☎
2"	2.625	20220SFC50	54120220P	4"	4.688	40422SFC50	54140422P
2"	2.688	20222SFC50	54120222P	4"	4.750	40424SFC50	☎
2"	2.750	20224SFC50	54120224P	4"	4.813	40426SFC50	54140426P
2"	2.813	20226SFC50	54120226P	4"	4.875	40428SFC50	54140428P
2"	2.875	20228SFC50	☎	4"	4.938	40430SFC50	54140430P
2"	2.938	20230SFC50	54120230P	4"	5.000	40500SFC50	54140500P
2"	3.000	20300SFC50	54120300P	4"	5.063	40502SFC50	☎

CXTC COUPLER X TRI-CLAMP

Made in the U.S.A.



316 Stainless Steel			
Size	Part Name	Item #	Description
1"	10CXTC	64311000*	Coupler X Tri-Clamp
1-1/2"	15CXTC	64311500	Coupler X Tri-Clamp
2"	20CXTC	64312000	Coupler X Tri-Clamp
3"	30CXTC	64313000	Coupler X Tri-Clamp

Does not have sanitary I.D. finish, but available upon request.

Adapter & Coupler butt weld fittings for pipe and tube are available on pages 50 & 52.

AXTC ADAPTER X TRI-CLAMP

Made in the U.S.A.



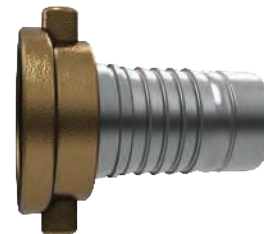
316 Stainless Steel			
Size	Part Name	Item #	Description
1"	10AXTC	64301000	Adapter X Tri-Clamp
1-1/2"	15AXTC	64301500	Adapter X Tri-Clamp
2"	20AXTC	64302000	Adapter X Tri-Clamp
3"	30AXTC	64303000	Adapter X Tri-Clamp
4"	40AXTC	64304000	Adapter X Tri-Clamp



Stainless Steel			
Size	Part Name	Item #	Description
2"	20PCTFC50X	5782017	Body W/ Brass Nut & Gskt.
3"	30PCTFC50X	5783017	Body W/ Brass Nut & Gskt.

PCTFC50X
PACIFIC COAST
THREAD FEMALE

Made in the U.S.A.



Stainless Steel			
Size	Part Name	Item #	Description
2"	20PCTMC50X	5782018	Body
3"	30PCTMC50X	5783018	Body

PCTMC50X
PACIFIC COAST
THREAD MALE

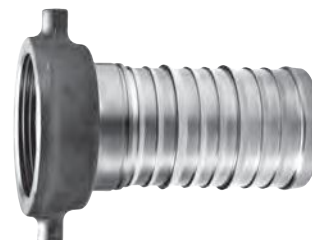
Made in the U.S.A.



Stainless Steel			
Size	Part Name	Item #	Description
1-1/2"	15PCTFWSS	5811517	Body W/ Brass Nut & Gskt.
2"	20PCTFWSS	5812017	Body W/ Brass Nut & Gskt.
3"	30PCTFWSS	5813017	Body W/ Brass Nut & Gskt.

PCTFWSS
PACIFIC COAST
THREAD FEMALE

Made in the U.S.A.



Stainless Steel			
Size	Part Name	Item #	Description
1-1/2"	15PCTMWSS2	5811518	Body
2"	20PCTMWSS	5812018	Body
3"	30PCTMWSS	5813018	Body

PCTMWSS
PACIFIC COAST
THREAD MALE

Made in the U.S.A.



C50 Crimp System - Sanitary Wine Fittings



TCWSS
SANITARY TRI-CLAMP

Made in the U.S.A.



	Stainless Steel		
Size	Part Name	Item #	Description
1-1/2"	15TCWSS	5811509	Body w/ Bumper
2"	20TCWSS	5812009	Body w/ Bumper
3"	30TCWSS	5813009	Body w/ Bumper

TCBRUSS
SANITARY TRI-CLAMP
LONG SHANK



	Stainless Steel		
Size	Part Name	Item #	Description
1"	10TCBRUSS	5891110	Body
1-1/2"	15TCBRUSS	5891115	Body
2"	20TCBRUSS	5891120	Body
3"	30TCBRUSS	5891130	Body

WSS
WSS CRIMP FERRULE

Made in the U.S.A.



		Stainless Steel	
Size	Ferrule ID (in.)	Part Name	Item #
1-1/2"	2.125	15204WSS	54115204L
1-1/2"	2.187	15206WSS	54115206L
2"	2.625	20220WSS	54120220L
2"	2.688	20222WSS	54120222L
2"	2.750	20224WSS	54120224L
2"	2.875	20228WSS	54120228L
2"	2.938	20230WSS	☎
2"	3.000	20300WSS	☎
2-1/2"	3.563	25318WSS	☎
3"	3.625	30320WSS	54130320L
3"	3.688	30322WSS	54130322L
3"	3.750	30324WSS	54130324L
3"	3.813	30326WSS	☎
3"	3.875	30328WSS	54130328L
3"	3.938	30330WSS	54130330L
3"	4.000	30400WSS	54130400L
3"	4.125	30404WSS	54130404L
4"	4.875	40428WSS	☎

304 Stainless Steel is the standard material.

Please call for special quote in 316 Stainless Steel.

PCTF CAP
PACIFIC COAST
THREAD BRASS CAP
With white Nitrile gasket
and Brass chain
Made in the U.S.A.



Size	Part Name	Item #	Description
2"	20PCTF	5812016	BRASS CAP W/CHAIN
3"	30PCTF	5880086	BRASS CAP W/CHAIN

Stainless Steel w/ Brass Nuts			
Size	Part Name	Item #	Description
2"	20PCTFPCTF	589201717	Adapter SS
3"	30PCTFPCTF	589301717	Adapter SS

PCTFPCTF
 PACIFIC COAST THREAD
 FEMALE X PACIFIC COAST
 THREAD FEMALE
 Made in the U.S.A.



Size	Part Name	Item #	Description
3" X 2"	30PCTF X 20PCTM	5880087	Pacific Coast Female Thread x Pacific Coast Male Thread

PCTF X PCTM REDUCER
 PACIFIC COAST THREAD
 FEMALE X PACIFIC COAST
 THREAD MALE
 Made in the U.S.A.



Gasket		
Size	Part Name	Item #
1-1/2"	NW4	5501415
2"	NW5	5501420
3"	NW7	5501430

**WHITE NITRILE FOOD
 GRADE GASKET**



Size	Part Name	Item #
3/4"	07P SEAL/BUMPER	5880001
1"	10P SEAL/BUMPER	5880002
1 1/2"	15P SEAL/BUMPER	5880003
2"	20P SEAL/BUMPER	5880004
2 1/2"	25P SEAL/BUMPER	5880005
3"	30P SEAL/BUMPER	5880006
4"	40P SEAL/BUMPER	5880007

SEAL/BUMPER





PT Exaro™:

PT EXARO™ is a unique hose management product that will enhance the lifecycle of industrial hoses. PT EXARO™ presents immediate and accurate information on the status of hose assets.

The PT Exaro™ program offers a web-based hose registry that tracks each hose by a unique serial number. Through the use of the registry each hose can be tracked for location, need for testing, performance, and need for replacement.

The user-friendly menu grows as the register is customized to fit specific needs. The registry keeps you up to date on hose testing needs and performance.

PT Exaro™ Features:

Web Based

- Accessible anywhere, anytime

Secure

- Password protected

Cost Saving

- Trend hose performance to assist budgeting
- Extend hose life

Ease of Use

- User friendly
- Puts you in control

Safety

- Receive feedback on testing dates, repeat failures, and overdue hoses
- Improves OSHA compliance

Customizable

- Choose the features you want
- Attach site standards, documents, and drawings

Interactive

- Print test certificates and reports
- View multiple sites
- View registers and sort by category
- View failed hose certificates
- View audit reports
- View historical data to improve performance

Notifications

- Automated updates
- Retest flags



NEW

PT Exaro™ Benefits:

- Improves Safety Performance
- Improves Predictive/Preventative Maintenance
- Extends Hose Service Life
- Increases Reliability
- Improves Maintenance Budgeting
- Reduces Cost
- Improves Control

**For More Information
Email:
exaro@ptcoupling.com**

Welcome to PT Exaro - Intelligent Register System

The PT Exaro Hose Management Program is an integral part of (YOUR COMPANY NAME) Certified Product Management service.

As a valued customer of (YOUR COMPANY NAME) we will work in partnership with you to ensure your hoses are maintained to the highest possible industry standards.

Part of our commitment to you is to utilize the PT Exaro register system to track the performance of your hose assets and manage their servicing on your behalf.

This is the PT Exaro advantage that will ensure maximum safety and reliability for your hose assets.

Hose Serial Number/Customer Ref Search

Hose Details			
Hose Type/Manufacturer	Composite Chemical	Assembly Working Pressure	72.00 PSI
Overall Length	15 ft 0 in	Nominal Bore (in)	3.000
Date of Manufacture	03/16/2012	Location	Fonterra Sample

Fitting Details - End A		Fitting Details - End B	
Description	Female Camlock	Description	Female Camlock
Size (in)	3	Size (in)	3
Material	Stainless	Material	Stainless
Retention	Crimp	Retention	Crimp

Test Details		Result
Test Method	Hydrostatic	Pass
Test Pressure (PSI)	108.00	

Elongation Test (Composite Hose Only)		Result
(No greater than 12.000% of Overall Length)		Pass (6.70%)
(Between 5.00% and -2.00% of Overall Length)		Pass (1.10%)

Resistance Test (Max 10.00 ohms)		Result
		Pass
		Pass

Hose Management Systems - PT Exaro™

PT Exaro™ Advantages:

- Register and view hoses from multiple locations
- Printable audit summary with graphs
- Printable hose inspection and test certificates
- Complete history of archived hoses



PT Hose Engraving System

"A SELF-CONTAINED, COMPUTERIZED HOSE IDENTIFICATION TAG ENGRAVING SYSTEM"

COMPLIANCE WITH THE NAHAD HOSE INSTITUTE ASSEMBLY SPECIFICATION GUIDELINES

The PT Engraving System promotes the responsible use of your assembly by allowing you to create a visible record of the hose serial number, bore size, month/year of assembly and maximum working pressure. Attach the tags to hoses using PUNCH-LOK® 3/8" wide banding and banding tools. Proper use ensures compliance with NAHAD industrial hose assembly identification guidelines.

Please contact your local PT sales representative for availability, pricing, and training for HoseMarc systems.



HoseMarc



Link to HoseMarc Pro Engraver Video on YouTube



HoseMarc *Pro*



HoseMarc *Pro Plus*



HoseMarc **MAX**

Engraving Capabilities			
Machine	HoseMarc	HoseMarc PRO	HoseMarc PRO PLUS & MAX
Single Tag	YES	YES	YES
Multiple Tags	NO	YES	YES
Ferrules	NO	NO	YES
Sleeves	NO	NO	YES
Flat Surface Fittings	NO	*Deep vice required	YES
Cylindrical Fittings	NO	NO	<i>ProPlus</i> - up to 6" workpiece; <i>MAX</i> up to 11" workpiece
Logos / Brands	*Must be pre loaded or transferred using a flash drive	YES	YES
Engrave information from Excel spreadsheet	NO	YES	YES
Software Capabilities			
Serialization	YES	YES	YES
Start from the last number engraved	YES	YES	YES
Vectorize images	NO	YES	YES
Multiple Fonts	Choose from 9 different fonts to emphasize information	Over 1,300 fonts	Over 1,300 fonts
Price Includes			
Laptop w/ Software	NO	YES	YES
Fixtures / Holders (includes software templates)	Single tag holder for our 3 basic size tags	3 fixtures for our basic size tags	3 fixtures for our basic size tags and a universal pin holder
Multi Mat (sticky pad)	NO	YES	YES
In House Training	NO	YES	YES
Unlimited Service and Tech support for 1 year	YES	YES	YES
Advantage of Machines	Engrave a custom tag in minutes or less	Engrave multiple custom tags at one time	Engrave ferrules, sleeves, fittings or tags



Item #	Description
P930012	IDTAG 2.5 X 1.5 SS
P930013	IDTAG 3.5 X 0.70 SS
P930014	IDTAG 2.00 X 0.70 SS
P930015	IDTAG 2.00 X 0.70 V-2 SS

**HOSE IDENTIFICATION TAGS
STANDARD TAG SIZES
AVAILABLE:**

*Material: Tags are made from 316 series Stainless Steel.
Custom Sizes available upon request.*

Description	Item #
HoseMarc Punch Lok Holder	930018001

**HOSEMARC PUNCH
LOK HOLDER
FOR MULTI TAG
MACHINES AND OPEN
END PUNCH-LOK CLAMPS**

Made in the U.S.A.



Description	Item #
HoseMarc Cutter Diamond	930019016

**HOSEMARC CUTTER
DIAMOND
FOR MULTI TAG
MACHINES**

Made in the U.S.A.



Description	Item #
HoseMarc Diamond Tip Only	930019008

**HOSEMARC DIAMOND
TIP ONLY
FOR SINGLE TAG MACHINES**

Made in the U.S.A.



Item #	Replacements & Accessories	Multiple Tag Machines
930019007	HoseMarc Multi Mat 8X10	PRO & PLUS
930019015	HoseMarc Multi Mat 8X12	MAX
930019017	HoseMarc SS Cutter .020"	PRO, PLUS, MAX
930019022	HoseMarc SS Deep Cut.015	PRO, PLUS, MAX

**HOSEMARC
REPLACEMENT &
ACCESSORIES**

FOR MULTI-TAG MACHINES
(not pictured)

Made in the U.S.A.

Hose Management Systems - HoseMarc Accessories & Tags



HOSE IDENTIFICATION TAGS SPECIAL ORDER TAGS AVAILABLE:

Custom Tags may require additional hardware

Custom Sizes available upon request.



P930000



P930001



P930003



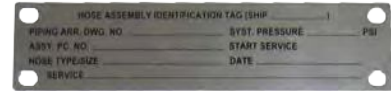
P930004



P930006



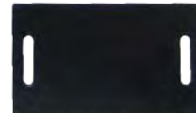
P930007



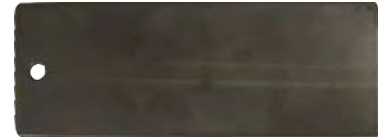
P930008 & P930009



P930017



P930025



P930026

All Custom Tags require purchase of a HoseMarc Fixture. Use the chart to find the appropriate fixture item number.

Item #	Description	Material	Anodized	Qty/ Bag	Single Tag Fixture Item	Fixture For: PRO, PRO PLUS, MAX
P930000	Black Alum Luggage Tag	Alum	Black	25	930019009	Multi-Mat
P930001	Circle Tag	Alum		25	930019013	Multi-Mat
P930003	Alum Mil Dog ID Tag	Alum		25	930019010	Multi-Mat
P930004	Brass luggage Tag	Brass		25	930019009	Multi-Mat
P930006	Blue Rect 1.5X3.5 Tag	Alum	Blue	100	930019023	930019012
P930007	Blue Circle Tag 1.5 Dia.	Alum	Blue	25	930019023	Multi-Mat
P930008	Mil Spec 316SS ID Tag	SS	Laser Etched	50	☎	930019014
P930009	Mil Spec Alum ID Tag	Alum	Laser Etched	50	☎	930019014
*P930012	ID Tag 2.5 X 1.5 SS	SS		100	930019011	930019005
*P930013	ID Tag 3.5X0.70 SS	SS		100	930019011	930019004
*P930014	ID Tag 2.00 X 0.70 SS	SS		100	930019011	930019003
*P930015	ID Tag 2.00X.070 V-2 SS	Alum		100	930019011	930019003
P930017	ID Tag 2.5X1.5 Blnk Nslt	Alum		100	930019011	930019005
P930025	Alum Black Tag 2.5X1.5	Alum	Black	1	930019011	930019005
P930026	PT Military Tag 1.5X4.0	Alum		1	☎	Multi-Mat

*These basic tags can be found on page 131.

CABLE TIE HAND TOOL & STAINLESS STEEL CABLE TIES



Item #	Description
P930030	Cable Tie Hand Tool
P930020	.37 x 8 SST Cable Tie
P930021	.37 x 14.25 SST Cable Tie
P930022	.37 x 20.50 SST Cable Tie

Cable ties are not intended for use with Hose Shank Fittings. Cable ties come in bags of 100.





NEW

PT Color Banding

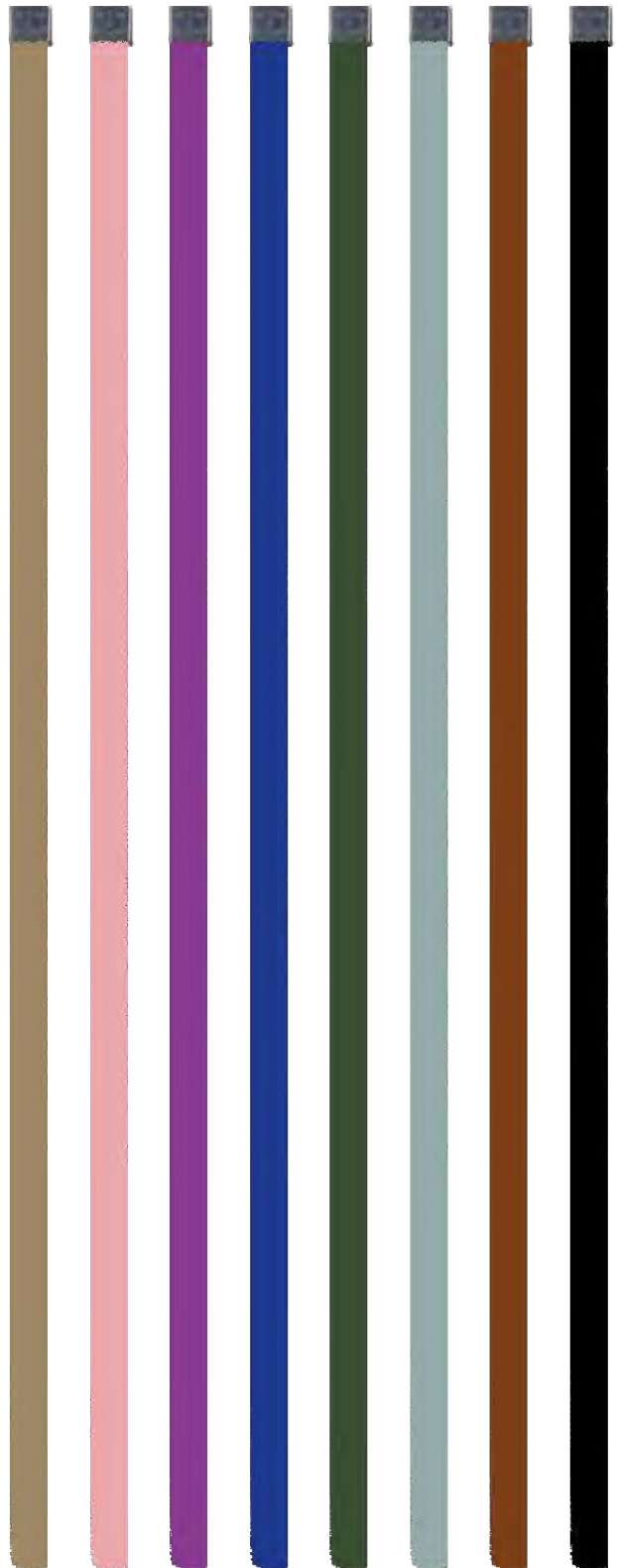
PT Color Banding is colorful UV resistant banding to suit your needs for color coding or camouflaging your clamps.

Contact PT Coupling at info@ptcoupling.com for custom colors and options on other PT Products that can be color coated.

Powder-coating color can be matched for your existing hardware or selected from an RAL color chart.

POWDERCOATED BANDING
PUNCH-LOK® OPEN-ENDED
CLAMPS

Made in the U.S.A.



5/8" Wide X .025" Thick	24" Length for up to 6" Hose Pack of 100	
Color	RAL #	Item Number
Chrome Yellow	1007	P811263
Traffic Yellow	1023	P811251
Desert Tan	1019	P811261
Curry Yellow	1027	P811264
Pure Orange	2009	P811250
Traffic Red	3020	P811254
Wine Red	3005	P811265
Dolly Pink	3015	P811266
Rose	3017	P811267
Blue Lilac	4005	P811268
Signal Violet	4008	P811256
Ford Dark Blue	5005	P811252
Ford Light Blue	5012	P811269
Turquoise Blue	5018	P811270
Pastel Blue	5024	P811260
Leaf Green	6002	P811255
Army Green	6003	P811271
Mint Green	6019	P811272
Slate Grey	7015	P811273
Agate Grey	7038	P811259
Clay Brown	8003	P811257
Super Mirror White	9003	P811253
Stainless Silver	uncoated	P811258
Super Mirror Black	9017	P811262



ORIGINAL PRE-FORMED PUNCH-TYPE CLAMP

PUNCH TYPE CLAMPS
DOUBLE-WRAPPED AND
FORMED TO A GIVEN
DIAMETER. CLAMPS
COME READY FOR
APPLICATION.

Made in the U.S.A.



*To Order: Measure the
Outside Diameter of the
hose with its fitting inserted.*

*Then select the next larger
Inside Diameter clamp by
catalog number. Using
the hose size in inches is
not sufficient information,
because different thickness
of hose will result in varying
outside diameters.*

*To apply, use PUNCH-
LOK® banding tool model
P-1000™, P-3000™,
P-38™, or TA-3*

		201 Stainless Steel (Std. Pack)			201 Stainless Steel (Bulk Pack)		
Clamp ID	Band Width	Part Name	Item #	Qty/Ctn	Part Name	Item #	Qty/Box
13/16"	3/8"	P3S	P110300	100	BP3S	P170300	1000
1"	3/8"	P310S	P110310	100	BP310S	P170310	1000
1-3/8"	3/8"	P311S	P110311	100	BP311S	P170311	1000
2"	3/8"	P316S	P110316	100	BP316S	P170316	1000
1"	5/8"	P4S	P110400	100	BP4S	P170400	500
1-1/4"	5/8"	P5S	P110500	100	BP5S	P170500	500
1-1/2"	5/8"	P6S	P110600	100	BP6S	P170600	500
1-3/4"	5/8"	P7S	P110700	100	BP7S	P170700	500
2"	5/8"	P8S	P110800	100	BP8S	P170800	500
2-1/4"	5/8"	P9S	P110900	100	BP9S	P170900	500
2-1/2"	5/8"	P10S	P111000	50	BP10S	P171000	500
2-3/4"	5/8"	P11S	P111100	50	BP11S	P171100	250
3"	5/8"	P12S	P111200	50	BP12S	P171200	250
3-1/2"	5/8"	P14S	P111400	50	BP14S	P171400	250
4"	5/8"	P16S	P111600	25	BP16S	P171600	250
4-1/2"	5/8"	P18S	P111800	25	BP18S	P171800	250
5"	5/8"	P20S	P112000	25	BP20S	P172000	250
6"	5/8"	P24S	P112400	25	BP24S	P172400	125
6-1/2"	5/8"	P26S	P112600	50	BP26S	P172600	125
7"	5/8"	P28S	P112800	50	BP28S	P172800	100
8"	5/8"	P32S	P113200	50	BP32S	P173200	100

		Galv. Carbon Steel (Std. Pack)			Galv. Carbon Steel (Bulk Pack)		
Clamp ID	Band Width	Part Name	Item #	Qty/Ctn	Part Name	Item #	Qty/Box
13/16"	3/8"	P3	P100300	100	BP3	P160300	1000
1"	3/8"	P310	P100310	100	BP310	P160310	1000
1-3/8"	3/8"	P311	P100311	100	BP311	P160311	1000
2"	3/8"	P316	P100316	100	BP316	P160316	1000
1"	5/8"	P4	P100400	100	BP4	P160400	500
1-1/4"	5/8"	P5	P100500	100	BP5	P160500	500
1-1/2"	5/8"	P6	P100600	100	BP6	P160600	500
1-3/4"	5/8"	P7	P100700	100	BP7	P160700	500
2"	5/8"	P8	P100800	100	BP8	P160800	500
2-1/4"	5/8"	P9	P100900	100	BP9	P160900	500
2-1/2"	5/8"	P10	P101000	50	BP10	P161000	500
2-3/4"	5/8"	P11	P101100	50	BP11	P161100	250
3"	5/8"	P12	P101200	50	BP12	P161200	250
3-1/2"	5/8"	P14	P101400	50	BP14	P161400	250
4"	5/8"	P16	P101600	25	BP16	P161600	250
4-1/2"	5/8"	P18	P101800	25	BP18	P161800	250
5"	5/8"	P20	P102000	25	BP20	P162000	250
6"	5/8"	P24	P102400	25	BP24	P162400	125
6-1/2"	5/8"	P26	P102600	50	BP26	P162600	125
7"	5/8"	P28	P102800	50	BP28	P162800	100
8"	5/8"	P32	P103200	50	BP32	P163200	100



Clamp ID	Band Width	201 Stainless Steel		High Strength Galv. Carbon Steel		Qty/Ctn
		Part Name	Item #	Part Name	Item #	
13/16"	3/8"	PO-3-S	P140300	PO-3	P130300	100
1-3/8"	3/8"	PO-311-S	P140311	PO-311	P130311	100
2"	3/8"	PO-316-S	P140316	PO-316	P130316	100
3-1/8"	3/8"	PO-325-S	P140325	PO-325	P130325	100
2"	5/8"	PO-8-S	P140800	PO-8	P130800	100
2-1/2"	5/8"	PO-10-S	P141000	PO-10	P131000	50
3"	5/8"	PO-12-S	P141200	PO-12	P131200	50
3-1/2"	5/8"	PO-14-S	P141400	PO-14	P131400	50
4"	5/8"	PO-16-S	P141600	PO-16	P131600	50
4-1/2"	5/8"	PO-18-S	P141800	PO-18	P131800	50
5"	5/8"	PO-20-S	P142000	PO-20	P132000	50
6"	5/8"	PO-24-S	P142400	PO-24	P132400	50
7"	5/8"	PO-28-S	P142800	PO-28	P132800	25
8"	5/8"	PO-32-S	P143200	PO-32	P133200	25
9"	5/8"	PO-36-S	P143600	PO-36	P133600	25
10"	5/8"	PO-40-S	P144000	PO-40	P134000	25
12"	5/8"	PO-48-S	P144800	PO-48	P134800	25

PUNCH-LOK® OPEN-END CLAMPS
 NON-SPRING
 COILED TO A GIVEN
 DIAMETER BUT NOT
 LACED UP THROUGH
 THE LOK.

Made in the U.S.A.



To Order: Measure the Outside Diameter of the hose with its fitting inserted.

Then select the next larger Inside Diameter clamp by catalog number. Using the hose size in inches is not sufficient information, because different thickness of hose will result in varying outside diameters.



**PUNCH-LOK® SPECIAL
ORDER OPEN-END
CLAMPS**
NON-SPRING
COILED TO A GIVEN
DIAMETER BUT NOT LACED
UP THROUGH THE LOK.
Made in the U.S.A.



*This page consists of
clamps that are made to
order and generally not
stocked at any factory
warehouse. Orders placed
for these clamps are
non-cancelable and not
returnable.*

		Stainless Steel		
Clamp ID	Band Width	Part Name	Item #	Qty./Ctn
1-5/8"	3/8"	PO-313-S	P140313	100
2-1/2"	3/8"	PO-320-S	P140320	100
3-1/2"	3/8"	PO-328-S	P140328	100
4"	3/8"	PO-332-S	P140332	100
4-1/2"	3/8"	PO-336-S	P140336	100
5"	3/8"	PO-340-S	P140340	100
5-1/2"	3/8"	PO-344-S	P140344	100
6"	3/8"	PO-348-S	P140348	100
6-1/2"	3/8"	PO-352-S	P140352	100
7"	3/8"	PO-356-S	P140356	100
7-1/4"	3/8"	PO-358-S	P140358	100
14"	5/8"	PO-56-S	P145600	10
16"	5/8"	PO-64-S	P146400	10
18"	5/8"	PO-72-S	P147200	10
20"	5/8"	PO-80-S	P148000	10
24"	5/8"	PO-96-S	P149600	10
30"	5/8"	PO-120-S	P149920	10
36"	5/8"	PO-144-S	P149944	10
42"	5/8"	PO-168-S	P149968	10
48"	5/8"	PO-192-S	P149992	10

		High-Strength Galvanized Carbon Steel		
Clamp ID	Band Width	Part Name	Item #	Qty./Ctn
1-5/8"	3/8"	PO-313	P130313	100
2-1/2"	3/8"	PO-320	P130320	100
3-1/2"	3/8"	PO-328	P130328	100
4"	3/8"	PO-332	P130332	100
4-1/2"	3/8"	PO-336	P130336	100
5"	3/8"	PO-340	P130340	100
5-1/2"	3/8"	PO-344	P130344	100
6"	3/8"	PO-348	P130348	100
6-1/2"	3/8"	PO-352	P130352	100
7"	3/8"	PO-356	P130356	100
7-1/4"	3/8"	PO-358	P130358	100
14"	5/8"	PO-56	P135600	10
16"	5/8"	PO-64	P136400	10
18"	5/8"	PO-72	P137200	10
20"	5/8"	PO-80	P138000	10
24"	5/8"	PO-96	P139600	10
30"	5/8"	PO-120	P139920	10
36"	5/8"	PO-144	P139944	10
42"	5/8"	PO-168	P139968	10
48"	5/8"	PO-192	P139992	10



		Stainless Steel		
Clamp ID	Band Width	Part Name	Item #	Qty/Ctn
13/16"	3/8"	PJ-201	P470201	100
1"	1/4"	PJ-242	P470242	100
1"	3/8"	PJ-243	P470243	100
1-3/8"	3/8"	PJ-202	P470202	100
1"	1/2"	PJ-203	P470203	100
1-1/4"	1/2"	PJ-204	P470204	100
1-3/8"	1/4"	PJ-241	P470241	100
1-1/2"	5/8"	PJ-205	P470205	100
1-3/4"	1/2"	PJ-236	P470236	100
1-3/4"	5/8"	PJ-206	P470206	100
2"	3/8"	PJ-245	P470245	100
2"	5/8"	PJ-207	P470207	100
2-1/4"	5/8"	PJ-208	P470208	100
2-1/2"	5/8"	PJ-209	P470209	100
2-3/4"	1/2"	PJ-230	P470230	100
2-3/4"	3/4"	PJ-210	P470210	50
3"	3/4"	PJ-211	P470211	50
3-1/2"	3/4"	PJ-212	P470212	50
4"	3/4"	PJ-213	P470213	25
4-1/2"	3/4"	PJ-214	P470214	25
5"	3/4"	PJ-215	P470215	25
6"	3/4"	PJ-216	P470216	25
7"	3/4"	PJ-218	P470218	25
8"	3/4"	PJ-219	P470219	25

		High-Strength Galvanized Carbon Steel		
Clamp ID	Band Width	Part Name	Item #	Qty/Ctn
13/16"	3/8"	PJ-301	P460301	100
1"	3/8"	PJ-343	P460343	100
1-3/8"	3/8"	PJ-302	P460302	100
1"	1/2"	PJ-303	P460303	100
1-1/4"	1/2"	PJ-304	P460304	100
1-1/2"	5/8"	PJ-305	P460305	100
1-3/4"	5/8"	PJ-306	P460306	100
2"	3/8"	PJ-345	P460345	100
2"	5/8"	PJ-307	P460307	100
2-1/4"	5/8"	PJ-308	P460308	100
2-1/2"	5/8"	PJ-309	P460309	100
2-3/4"	3/4"	PJ-310	P460310	50
3"	3/4"	PJ-311	P460311	50
3-1/2"	3/4"	PJ-312	P460312	50
4"	3/4"	PJ-313	P460313	25
4-1/2"	3/4"	PJ-314	P460314	25
5"	3/4"	PJ-315	P460315	25
7"	3/4"	PJ-318	P460318	25

**PUNCH-LOK®
PRE-FORMED
J-LOK CLAMPS**
DOUBLE-WRAPPED,
DOUBLE LOCKED
J-LOK CLAMPS PROVIDE
VERSATILE CLAMPING IN
MANY SITUATIONS
Made in the U.S.A.



New design on J-Lok clamp has a smooth ID

PUNCH-LOK® J-Lok clamps have Stainless Steel buckles for added strength and corrosion resistance - with your choice of Stainless Steel or high-strength galvanized Carbon Steel bands.

Totally different than punch-type clamps, these J-Lok clamps are not for use with punch-type tools. They are designed exclusively for applications with non-punch type mechanical and air tools.

Also available in 316 Stainless Steel.

PUNCH-LOK

Preformed J-Lok Clamps



STEEL BANDING & STRAPPING
100 FEET PER ROLL
STANDARD LENGTH

Made in the U.S.A.



Thread band through buckle twice for greatest strength. To apply, use PUNCH-LOK® banding tool model PB-001, PB-001-H or equivalent. Call for quote on any length, mill coils, or type of steel.

STAINLESS STEEL BANDING & STRAPPING IN PLASTIC SAFETY BOXES

100 FEET PER ROLL
STANDARD LENGTH
Made in the U.S.A.



STAINLESS STEEL BANDING & STRAPPING IN BANDING TOTE

100 FEET PER ROLL
STANDARD LENGTH
Made in the U.S.A.

Width	Thickness	Part Name	Item #	Description
3/8"	.023/.025	PC3S	P800103	Light-Duty Type 201 Stainless
1/2"	.023/.025	PC4S	P800104	Light-Duty Type 201 Stainless
5/8"	.023/.025	PC5S	P800105	Light-Duty Type 201 Stainless
3/4"	.023/.025	PC6S	P800106	Light-Duty Type 201 Stainless
3/8"	0.025	PB203	P811203	Standard-Duty Type 201 Stainless
1/2"	0.030	PB204	P811204	Standard-Duty Type 201 Stainless
5/8"	0.030	PB205	P811205	Standard-Duty Type 201 Stainless
3/4"	0.030	PB206	P811206	Standard-Duty Type 201 Stainless
3/4"	.04/.044	PG430	P811430	Heavy-Duty Type 201 Stainless
1"	.04/.044	PG431	P811431	Heavy-Duty Type 201 Stainless
1-1/4"	.04/.044	PG432	P811432	Heavy-Duty Type 201 Stainless
3/8"	0.025	PC403	P811403	Standard-Duty Type 316 Stainless
1/2"	0.030	PC404	P811404	Standard-Duty Type 316 Stainless
5/8"	0.030	PC405	P811405	Standard-Duty Type 316 Stainless
3/4"	0.030	PC406	P811406	Standard-Duty Type 316 Stainless
3/8"	0.025	PB303	P810303	Galvanized Carbon Steel
1/2"	0.030	PB304	P810304	Galvanized Carbon Steel
5/8"	0.030	PB305	P810305	Galvanized Carbon Steel
3/4"	0.030	PB306	P810306	Galvanized Carbon Steel

Type 301 Stainless Steel

Width	Thickness	Part Name	Item #	Description
3/8"	0.025	PB-803	P811803	Standard-Duty Stainless Safety Yellow
1/2"	0.030	PB-804	P811804	Standard-Duty Stainless Safety Yellow
5/8"	0.030	PB-805	P811805	Standard-Duty Stainless Safety Yellow
3/4"	0.030	PB-806	P811806	Standard-Duty Stainless Safety Yellow
3/4"	.042/.044	PG-830	P811830	Heavy Duty Stainless Safety Orange
1"	.042/.044	PG-831	P811831	Heavy Duty Stainless Safety Orange
1-1/4"	.042/.044	PG-832	P811832	Heavy Duty Stainless Safety Orange

Reusable corrugated plastic weather resistant packaging, ideal for rain, humidity, or moisture in order to prevent the natural deterioration of cardboard.

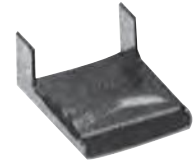


Width	Thickness	Part Name	Item #	Description
3/8"	0.025	PB503	P811503	Standard-Duty Stainless Safety Yellow Tote
1/2"	0.030	PB504	P811504	Standard-Duty Stainless Safety Blue Tote
5/8"	0.030	PB505	P811505	Standard-Duty Stainless Safety Green Tote
3/4"	0.030	PB506	P811506	Standard-Duty Stainless Safety Red Tote
3/4"	07 X.044	PB530	P811507	Heavy Duty Stainless Steel Orange Tote



Size	Part Name	Item #	Description	Qty/Box
3/8"	PC-153	P831153	201 Stainless Steel Light-Duty Clip	100
1/2"	PC-154	P831154	201 Stainless Steel Light-Duty Clip	100
5/8"	PC-155	P831155	201 Stainless Steel Light-Duty Clip	100
3/4"	PC-156	P831156	201 Stainless Steel Light-Duty Clip	100
3/8"	PB-253	P831253	201 Stainless Steel Standard-Duty Buckle	100
1/2"	PB-254	P831254	201 Stainless Steel Standard-Duty Buckle	100
5/8"	PB-255	P831255	201 Stainless Steel Standard-Duty Buckle	100
3/4"	PB-256	P831256	201 Stainless Steel Standard-Duty Buckle	100
3/4"	PG-440	P831440	201 Stainless Steel Heavy-Duty Buckle	25
1"	PG-441	P831441	201 Stainless Steel Heavy-Duty Buckle	25
1-1/4"	PG-442	P831442	201 Stainless Steel Heavy-Duty Buckle	25
3/8"	PC-353	P831353	Galvanized Carbon Steel Standard-Duty Buckle	100
1/2"	PC-354	P831354	Galvanized Carbon Steel Standard-Duty Buckle	100
5/8"	PC-355	P831355	Galvanized Carbon Steel Standard-Duty Buckle	100

PUNCH-LOK® BUCKLES/CLIPS



Light Duty Buckle



Standard Duty Buckle



Heavy Duty Buckle

Size	Part Name	Item #	Description	Qty/Box
3/8"	PC-453	P831453	316 Stainless Steel Standard-Duty Buckle	100
1/2"	PC-454	P831454	316 Stainless Steel Standard-Duty Buckle	100
5/8"	PC-455	P831455	316 Stainless Steel Standard-Duty Buckle	100
3/4"	PC-456	P831456	316 Stainless Steel Standard-Duty Buckle	100

Width	Part Name	Item #	Description ☎100 pcs per box)
3/8"	PL3S	P820103	Stainless Steel Coil Clamp Strapping Lok
5/8"	PL5S	P820105	Stainless Steel Coil Clamp Strapping Lok

PUNCH-LOK® STRAPPING LOKS STRAPPING LOKS FOR USE WITH LIGHT AND STANDARD DUTY BANDING



PUNCH-LOK® BRACKETS



Straight Leg Brackets



Flared Leg Brackets

Straight Leg		
Part Name	Item #	Description ☎50 pcs per box)
PD-001	P900001	S.S. with S.S. Bolt & Washer
PD-004	P900004	S.S. with No Bolt
PD-011	P900011	Galv. w/ Galv. Bolt & Washer
PD-014	P900014	Galvanized with No Bolt
Flared Leg		
Part Name	Item #	Description ☎50 pcs per box)
PD-021	P900021	S.S. with S.S. Bolt & Washer
PD-022	P900022	S.S. with No Bolt
PD-031	P900031	Galv. w/ Galv. Bolt & Washer
PD-032	P900032	Galvanized with No Bolt
Replacement Parts		
Part Name	Item #	Description
PD-002	P900002	S.S. Bolts 3/4" x 5/16" - 18NC
PD-012	P900012	Galvanized Bolt 3/4" x 5/16" - 18NC
PD-003	P900003	Washer 3/8" i.d. 7/8" o.d. - 1/16" thick



P-1000™ LOKING TOOL

"The PUNCH-LOK® Tool" the original. Made like no other tool! Designed for fast, economical application of punch-type clamps.

The portable P-1000™ weighs only 2 1/2 pounds. Drop forged and double plated tempered steel construction. For 5/8" clamps only.



P-3000™ LOKING TOOL

Similar to the Model P-1000™, the Model P-3000™ is designed for 3/8" wide punch-type clamp applications only. It will not fit 5/8" wide clamps. Double plated construction.



Replacement parts for Hand Clamping & Banding Tools are on page 138.

D-225™ CLAMP ADAPTER

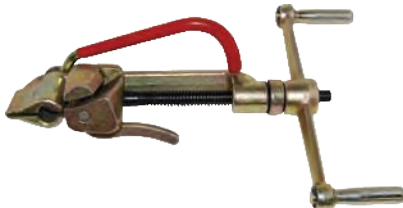
Fits under the pusher nose of P-1000™ loking tool to apply 3/8" punch-type clamps.



Part Name	Item #	Description
P-1000	P200005	Loking Tool For 5/8" Punch Clamps
P-1000-D-229	P200007	Loking Tool For 3/8" & 5/8" Punch Clamps
P-3000	P250004	Loking Tool For 3/8" Punch Clamps Only
P-38	P500038	Clamp-Master Tool Set for 3/8" Punch Clamps
PB-001	P250012	Banding Tool
PB-001H	P250011	HEAVY DUTY Banding Tool
D-550	P255500	Clamp Cutter
D-225-A	P252250	Mallet

PB-001 BANDING TOOL

Forged double plated tensioning tool with built in cutter for banding and buckle application. Also can be used with PJ-001 for J-Lok clamp installation. 1" Banding



PB-001H HEAVY DUTY BANDING TOOL

Forged double plated tensioning tool with built in cutter for banding and buckle application. Only for use with heavy duty banding and buckles.



P-38™ CLAMP-MASTER™ TOOL SET

The original, handy, low cost tool set for applying punch-type clamps. Weighs less than one pound.

Excellent for confined working areas and for on-job repair and replacement work. Fits 3/8" & 5/8" wide clamps. Double plated construction.



D-550™ CLAMP CUTTER

Powerful 14" cutter removes any punch-type clamp with minimum effort. Rugged drop forged heat treated high-carbon steel construction. Double plated.



D-225-A MALLET

Specially designed for the punch-type clamps. Malleable iron head has softer striking surface for long tool life. Made in the U.S.A.



Part Name	Item #	Description
D-229	P252290	3/8" Adapter for P-1000 Loking Tool
PJ-001	P250010	Clamp Adapter for PB-001 Tool
D-300-A	P253000	Bench Adapter for P-1000 and P-3000 Loking Tools

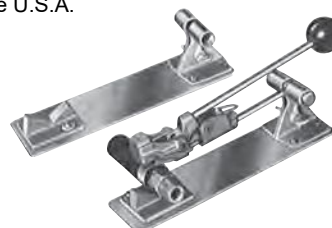
PJ-001 PUNCH-LOK® J-LOK BANDING TOOL ADAPTER

Converts PB-001 banding tool to apply J-Lok clamps.



D-300-A™ BENCH ADAPTER

Converts P-1000™ and P-3000™ loking tools to bench tools to speed clamp application in tool room and hose assembly shop. Made in the U.S.A.





Part Name	Item #	Description
K-52	P600052	Clamp-Master Kit, Galvanized Steel Clamp
K-52S	P600152	Clamp-Master Kit, Stainless Steel Clamp
R-52	P600520	Refill Clamps (Galv.) for K-52 Kit
R-52S	P605200	Refill Clamps (Stainless) for K-52-S Kit

K-52™
Clamp-Master™ kit with high-strength galvanized carbon punch-type steel clamps in steel case.
Made in the U.S.A.



Part Name	Item #	Description
TA3	P700003	Tension-Air Automatic Clamping Machine
TA-3 8"	P700008	TA3 MACHINE W/8" HOSE KIT
TA-3 8"	P755506	Tension-Air Machine 8" Conversion Kit
D-202	P252020	Punch
D-2149	P252142	Pulling Dog
	P753202	Pneumatic Sensor
	P755551	.375 Clamp Holder
	P755553	.625 Clamp Holder
	P755554	.375 Clamp Holder / Cutter
	P755557	.625 Clamp Holder / Cutter



TENSION-AIR™
TA-3™ PRODUCTION
HOSE CLAMPING
MACHINE
Totally automatic. No manual punching or bending required. No faster machine available for production clamping. Only requires one man and three seconds to operate.
Made in the U.S.A.



TA-3™ with 8" hose kit



Top of TA-3™

TA-3 Machine made for Punch-Lok® clamps. Use with any other clamps may void warranty. One year maintenance warranty available. Contact local PT sales representative for maintenance request.

PUNCH-LOK
Clamping & Banding Tools



PUNCH-LOK® PLATED HOSE FITTINGS

PUNCH-LOK® single and double groove hose fittings of all types are designed and engineered for use with PUNCH-LOK® clamps to make connections which will withstand high pressure services.

The shape of the grooves eliminates damage to the inner wall of the hose. The PUNCH-LOK® clamp brings the hose wall into the grooves with even compression around the fittings.

Carbon steel steam hose fittings are available in sizes ranging from 1/2" to 1" and include tie wires.

Hex Steel Lok-nipples are cut from hexagon shaped cold rolled steel bar stock with NPT thread and tapered end for easy application.



HEX-STEEL LOK-NIPPLE SINGLE GROOVE



HEX-STEEL LOK-NIPPLE DOUBLE GROOVE



Hose Size	Std. Pipe Thread	Length	Part Name	Item #	No. Of Barbs	Qty./Box
1/4"	1/4"	2"	HX-221	P300221	1	24
3/8"	1/4"	2-1/2"	HX-321	P300321	1	24
3/8"	1/4"	3-1/2"	HX-322	P300322	2	12
3/8"	3/8"	2-1/2"	HX-331	P300331	1	24
3/8"	3/8"	3-1/2"	HX-332	P300332	2	12
1/2"	1/4"	2-1/2"	HX-421	P300421	1	24
1/2"	1/4"	3-1/2"	HX-422	P300422	2	12
1/2"	3/8"	2-1/2"	HX-431	P300431	1	24
1/2"	3/8"	3-1/2"	HX-432	P300432	2	12
1/2"	1/2"	2-1/2"	HX-441	P300441	1	24
1/2"	1/2"	3-1/2"	HX-442	P300442	2	12
3/4"	1/2"	3-1/8"	HX-641	P300641	1	12
3/4"	1/2"	4-3/8"	HX-642	P300642	2	12
3/4"	3/4"	3-1/8"	HX-661	P300661	1	12
3/4"	3/4"	4-3/8"	HX-662	P300662	2	12
1"	3/4"	4-3/4"	HX-862	P300862	2	12
1"	1"	4-3/4"	HX-882	P300882	2	12
1-1/4"	1-1/4"	5"	HX-10102	P301102	2	12



Hose Size	Length	Part Name	Item #	No. Of Barbs	Qty./Box
1/2"	3-3/8"	L-421	P330421	1	24
1/2"	4-5/8"	L-422	P330422	2	24
5/8"	3-3/8"	L-531	P330531	1	24
5/8"	4-5/8"	L-532	P330532	2	24
3/4"	3-3/8"	L-641	P330641	1	24
3/4"	4-5/8"	L-642	P330642	2	24
1"	3-3/4"	L-861	P330861	1	24
1"	5"	L-862	P330862	2	24
1-1/4"	5-1/2"	L-1082	P331082	2	12
1-1/2"	5-1/2"	L-12102	P332102	2	12
2"	6-1/4"	L-16122	P336122	2	12

**LOK-NIPPLE
SINGLE GROOVE**



**LOK-NIPPLE
DOUBLE GROOVE**



Hose Size	Length	Part Name	Item #	No. Of Barbs	Qty./Box
1/4"	2-5/8"	BM-21	P310021	1	48
5/16"	2-1/4"	BM-251	P310025	1	48
3/8"	2-5/8"	M-31	P310031	1	24
1/2"	3-1/4"	M-41	P310041	1	24
1/2"	5-3/4"	M-42	P310042	2	24
5/8"	3-1/4"	M-51	P310051	1	24
5/8"	5-3/4"	M-52	P310052	2	24
3/4"	3-1/4"	M-61	P310061	1	24
3/4"	5-3/4"	M-62	P310062	2	24
1"	3-1/4"	M-81	P310081	1	24
1"	5-3/4"	M-82	P310082	2	24
1-1/4"	3-1/4"	M-101	P310101	1	12
1-1/4"	5-3/4"	M-102	P310102	2	12
1-1/2"	3-1/4"	M-121	P310121	1	12
1-1/2"	5-3/4"	M-122	P310122	2	12
2"	5-3/4"	M-162	P310162	2	12

**LOK-MENDER
SINGLE GROOVE**



**LOK-MENDER
DOUBLE GROOVE**

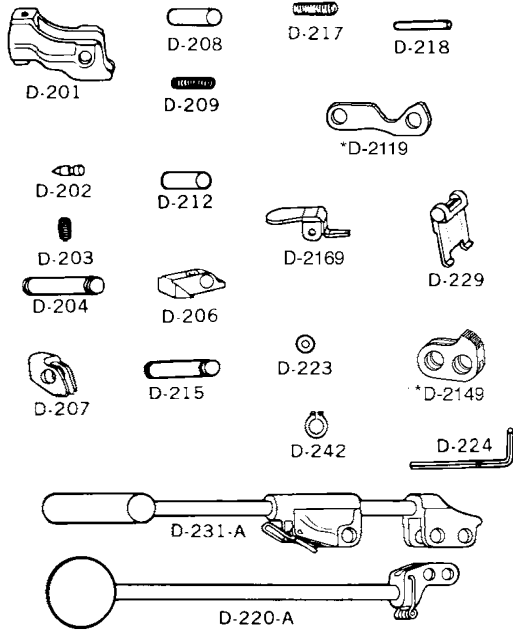


PUNCH-LOK

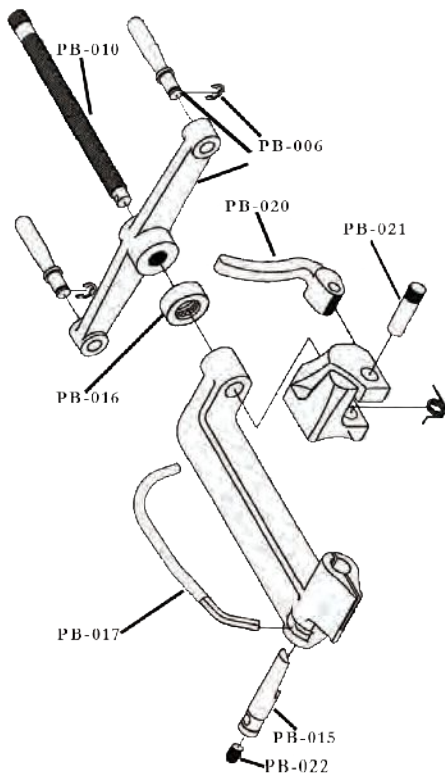
Hex Steel Fittings



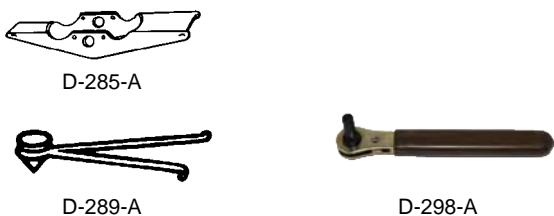
P-1000™ & P-3000™ Replacement Parts



PUNCH-LOK® TOOL REPLACEMENT PARTS		
Part Name	Item #	Description
D-201-A	P252010	Punch Head
D-202	P252020	Punch
D-203	P252030	Set Screw
D-204	P252040	Punch Head Pin (1-7/8" long)
D-206	P252060	Pusher Nose
D-207	P252070	Holding Dog
D-208	P252080	Pusher Nose (15/16" long)
D-209	P252090	Holding Dog Spring (long)
D-2119	P252111	*Puller Link (need 2)
D-212	P252120	Puller Link Pin (5/8" long)
D-2149	P252142	*Pulling Dog
D-215	P252150	Pulling Dog Pin (1-11/32" long)
D-2169	P252161	*Release Lever
D-217	P252170	Pulling Dog Spring (short)
D-218	P252180	Release Lever Pin
D-220-A	P252200	Ball Handle Assembly
D-224	P252240	Wrench
D-225-A	P252250	Mallet
D-229	P252290	3/8" Clamp Adapter
D-231-A1	P252312	Pusher - Puller Assembly
D-242	P252420	Retaining Rings (need 4)



PB-001 REPLACEMENT PARTS		
Part Name	Item #	Description
PB-006	P250067	Tension Handle (Parts 7, 8, & 9)
PB-010	P252210	Spindle Rod
PB-015	P252015	Cutter Blade
PB-016	P252016	Ball Bearing
PB-017	P252017	Cutter Blade Lever
PB-020	P252220	Gripper
PB-021	P252021	Gripper Pivot Pin
PB-022	P252022	Cutter Blade Set Screw



P-38 REPLACEMENT PARTS		
Part Name	Item #	Description
D-285-A	P252850	Frame
D-289-A	P252890	Punch and Holder
D-298-A	P252980	Ratchet Wrench and Winder



Rolite PT3 Fitting Master

FINALLY, A HOSE ASSEMBLY TOOL WITH THE OPERATOR IN MIND.

After struggling with many types of hoses and fittings that can make hose assembly a difficult and sometimes tedious process, PT Coupling Company has recently engineered the equipment and process that makes installation and removal of fittings an easy, painless experience. And, unlike other methods of hose assembly and disassembly, the PT Coupling Rolite PT3 Fitting Master yields performance and reliability with unique features such as:

- Pneumatic air tool
- 1200 lbs. of thrusting power
- 350 lbs. of hose gripping power
- Standard Size Handles hose diameters of 1" to 8"
- Accepts all styles of hoses
- Accepts all types of hose fittings
- Fully transportable
- Variable speed controls
- Dual action allows fitting removal from hose*
- Roller belts prevent hose damage
- Large diameter hose is a snap
- Call for pricing
- 1 year warranty available



Part Name	Item #
Rolite PT3 Machine	792000

STEP 1



Hose is inserted through the gripping belt loop.

STEP 3



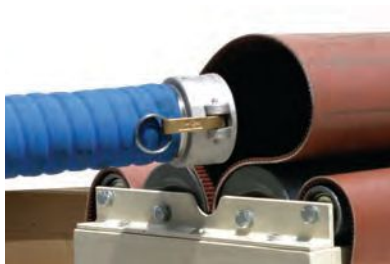
Use the control levers to push the fitting into the hose with the ram plate.

STEP 2



Place fitting to be inserted at the end of the hose, in front of the pneumatic ram plate.

STEP 4



Release the tension on the gripping belt and remove the finished assembly.

ROLITE PULLER

Part Name	Item #
RL15A Puller Adapter	793015
RL20A Puller Adapter	793020
RL30A Puller Adapter	793030
RL40A Puller Adapter	793040
Part Name	Item #
RL15A Puller Coupler	794015
RL20A Puller Coupler	794020
RL30A Puller Coupler	794030
RL40A Puller Coupler	794040

* Exchange Pusher Plate for Puller Adapter or Puller Coupler to remove fitting from hose.

Part Name	Item #	For Sizes
StdPusher Plate 10"	792075	1" - 8"
Opt Pusher Plate 15"	792091	10"-12"

Fitting Master Hose Assembly Tool - Rolite PT3



**PTCN-
COMBINATION NIPPLE**
HOSE SHANK X MALE NPT
THREAD

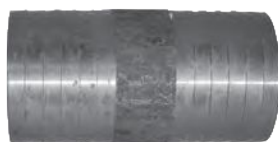


PTCN - Aluminum

		Aluminum	Brass	Stainless Steel
Size	Part Name	Item #	Item #	Item #
1/2"	PTCN50	85640050	82640050BR	*84640050
3/4"	PTCN75	85640075	82640075BR	*84640075
3/4" X 1/2"	PTCN75X50	☎	83640705	84640705
3/4" X 1"	PTCN75X100	☎	☎	84640710
1"	PTCN100	85640100	82640100BR	*84640100
1-1/4"	PTCN125	85640125	82640125BR	*84640125
1-1/4" X 1 1/2"	PTCN125X150	☎	82641215BR	☎
1-1/2"	PTCN150	85640150	82640150BR	*84640150
1-1/2" X 2"	PTCN150X200	☎	82641520BR	☎
2"	PTCN200	85640200	82640200BR	*84640200
2" X 1-1/2"	PTCN200X150	85642015	☎	☎
2-1/2"	PTCN250	85640250	82640250BR	*84640250
2-1/2" X 2"	PTCN250X200	☎	☎	84642520
3"	PTCN300	85640300	82640300BR	*84640300
3"X4"	PTCN300X400	85643040	☎	☎
4"	PTCN400	85640400	82640400BR	*84640400
5"	PTCN500	85640500	☎	84640500
6"	PTCN600	85640600	☎	84640600
8"	PTCN800	85640800	☎	**84640800
10"	PTCN1000	85641000	82641000BR	**84641000
12"	PTCN1200	☎	☎	☎

See PROGRIP™ product line on pages 99-120 if interlock ring is required for ferrule applications.

**PTHM-HOSE
MENDER**
HOSE SHANK X HOSE
SHANK



304 Stainless Steel is the standard material.

Please call for special quote in 316 Stainless Steel.

		Aluminum	Brass	Stainless Steel
Size	Part Name	Item #	Item #	Item #
1/2"	PTHM50	85660050	☎	84660050
3/4"	PTHM75	85660075	82660075BR	84660075
1"	PTHM100	85660100	82660100BR	84660100
1-1/4"	PTHM125	85660125	82660125BR	84660125
1-1/2"	PTHM150	85660150	82660150BR	84660150
2"	PTHM200	85660200	82660200BR	84660200
2-1/2"	PTHM250	☎	☎	84660250
3"	PTHM300	85660300	☎	84660300
4"	PTHM400	85660400	☎	84660400
5"	PTHM500	☎	☎	☎
6"	PTHM600	☎	☎	84660600
8"	PTHM800	☎	☎	☎
10"	PTHM1000	☎	☎	☎
12"	PTHM1200	☎	☎	☎



		Plain Steel	Plated Steel	Polypropylene
Size	Part Name	Item #	Item #	Item #
1/2"	PTCN50	82640050	83640050	85850050
3/4" X 1/2"	PTCN75X50	82640705	83640705	☎
3/4"	PTCN75	82640075	83640075	85850075
3/4" X 1"	PTCN75x100	82640710	☎	85857510
1" X 3/4"	PTCN100X75	82641075	83641007	☎
1"	PTCN100	82640100	83640100	85850100
1"X 1-1/4"	PTCN100X125	82641012	83641012	☎
1-1/4"	PTCN125	82640125	83640125	85850125
1 1/4" X 1"	PTCN125X100	82641210	83641210	☎
1-1/4"X1 1/2"	PTCN125X150	82641215	83641215	☎
1-1/2"	PTCN150	82640150	83640150	85850150
1-1/2" X 1"	PTCN150X100	82641510	☎	☎
1-1/2" X 1-1/4"	PTCN150X125	82641512	83641512	☎
1-1/2"x 2"	PTCN150X200	82641520	83641520	☎
2" X 1 1/2"	PTCN200X150	82642015	83642015	☎
2"	PTCN200	82640200	83640200	85850200
2" X 2-1/2"	PTCN200X250	☎	83642025	☎
2-1/2"	PTCN250	82640250	83640250	☎
2-1/2"X 2"	PTCN250X200	☎	83642520	☎
3"	PTCN300	82640300	83640300	85850300
3"X 2-1/2"	PTCN300X250	82643025	☎	☎
3"X4"	PTCN300X400	82643040	83643040	☎
4"	PTCN400	82640400	83640400	85850400
5"	PTCN500	82640500	83640500	☎
6"	PTCN600	82640600	83640600	☎
8"	PTCN800	82640800	83640800	☎
10"	PTCN1000	82641000	83641000	☎
12"	PTCN1200	82641200	83641200	☎

PTCN-COMBINATION NIPPLE
HOSE SHANK X MALE
NPT THREAD



PTCN-Polypropylene

See PROGRIP™ product line on pages 99-120 if interlock ring is required for ferrule applications.

		Plain Steel	Plated Steel	Polypropylene
Size	Part Name	Item #	Item #	Item #
1/2"	PTHM50	82660050	83660050	85880050
3/4"	PTHM75	82660075	83660075	85880075
1"	PTHM100	82660100	83660100	85880100
1-1/4"	PTHM125	82660125	83660125	85880125
1-1/2"	PTHM150	82660150	83660150	85880150
2"	PTHM200	82660200	83660200	☎
2-1/2"	PTHM250	82660250	83660250	☎
3"	PTHM300	82660300	83660300	☎
4"	PTHM400	82660400	83660400	☎
5"	PTHM500	82660500	83660500	☎
6"	PTHM600	82660600	83660600	☎
8"	PTHM800	82660800	83660800	☎
10"	PTHM1000	82661000	83661000	☎
12"	PTHM1200	82661200	83661200	☎

PTHM-HOSE MENDER
HOSE SHANK X HOSE
SHANK



PTHM-Polypropylene



WELD NIPPLES HOSE SHANK BUTT WELD



		Aluminum	Stainless Steel	Plain Steel
Size	Part Name	Item #	Item #	Item #
3/4"	PTCN75N	85640075N	84640075N	82640075N
1"	PTCN100N	85640100N	84640100N	82640100N
1-1/4"	PTCN125N	85640125N	84640125N	82640125N
1-1/2"	PTCN150N	85640150N	84640150N	82640150N
2"	PTCN200N	85640200N	84640200N	82640200N
2-1/2"	PTCN250N	85640250N	84640250N	82640250N
3"	PTCN300N	85640300N	84640300N	82640300N
4"	PTCN400N	85640400N	84640400N	82640400N
5"	PTCN500N	85640500N	84640500N	82640500N
6"	PTCN600N	85640600N	84640600N	82640600N
8"	PTCN800N	☎	84640800N	82640800N
10"	PTCN1000N	☎	84641000N	☎
12"	PTCN1200N	☎	☎	82641200N

PUMP FOOT VALVES Ductile Iron



	Complete Assembly Painted		Strainer Only		Flapper Valve Painted	
Size	Part Name	Item #	Part Name	Item #	Part Name	Item #
1-1/2"	FV150	89100150	FVS150	89100151	FV150	89100152
2"	FV200	89100200	FVS200	89100201	FV200	89100202
2-1/2"	FV250	89100250	FVS250	89100251	FV250	89100252
3"	FV300	89100300	FVS300	89100301	FV300	89100302
4"	FV400	89100400	FVS400	89100401	FV400	89100402
6"	FV600	89100600	FVS600	89100601	FV600	89100602
8"	FV800	89100800	FVS800	89100801	FV800	89100802

	Buna Gasket		Seal Plate Assembly Painted	
Size	Part Name	Item #	Part Name	Item #
1-1/2"	FVL150	89100153	FVSP150	89100154
2"	FVL200	89100203	FVSP200	89100204
2-1/2"	FVL250	89100253	FVSP250	89100254
3"	FVL300	89100303	FVSP300	89100304
4"	FVL400	89100403	FVSP400	89100404
6"	FVL600	89100603	FVSP600	89100604
8"	FVL800	89100803	FVSP800	89100804

PUMP SUCTION STRAINER ROUND HOLE TYPE Plated Carbon Steel .38" holes



Size	Part Name	Item #
1-1/2"	SHS150 STRAINER	90180015
2"	SHS200 STRAINER	90180020
2-1/2"	SHS250 STRAINER	90180025
3"	SHS300 STRAINER	90180030
4"	SHS400 STRAINER	90180040
6"	SHS600 STRAINER	90180060
8"	SHS800 STRAINER	90180080



	Aluminum w/Ductile Swivel Nut & Gasket		Aluminum w/Brass Swivel Nut & Gasket	
Size	Part Name	Item #	Part Name	Item #
1-1/2"	PL15-AM	90100015	PL15-AB	90110015
2"	PL20-AM	90100020	PL20-AB	90110020
2-1/2"	PL25-AM	90100025	PL25-AB	90110025
3"	PL30-AM	90100030	PL30-AB	90110030
4"	PL40-AM	90100040	PL40-AB	90110040
6"	PL60-AM	☎	PL60-AB	90110060

	Brass w/Brass Swivel Nut & Gasket		Plated Ductile w/Plated Ductile Swivel Nut & Gasket		Replacement Gaskets	
Size	Part Name	Item #	Part Name	Item #	Part Name	Item #
1-1/2"	PL15-B	90020015	PL15-M	90010015	PL15-G	90090015
2"	PL20-B	90020020	PL20-M	90010020	PL20-G	90090020
2-1/2"	PL25-B	90020025	PL25-M	90010025	PL25-G	90090025
3"	PL30-B	90020030	PL30-M	90010030	PL30-G	90090030
4"	PL40-B	90020040	PL40-M	90010040	PL40-G	90090040
6"	PL60-B	☎	PL60-M	90010060	PL60-G	90090060

	Aluminum Male Shank		Plated Ductile Male Shank	
Size	Part Name	Item #	Part Name	Item #
1-1/2"	PL15-AMS	90040015	PL15-MMS	90080015
2"	PL20-AMS	90040020	PL20-MMS	90080020
2-1/2"	PL25-AMS	90040025	PL25-MMS	90080025
3"	PL30-AMS	90040030	PL30-MMS	90080030
4"	PL40-AMS	90040040	PL40-MMS	90080040
6"	PL60-AMS	90040060	PL60-MMS	90080060

	Aluminum Female Shank w/Plated Ductile Swivel Nut		Aluminum Female Shank w/Brass Swivel Nut & Gasket		Plated Ductile Female Shank w/Plated Ductile Swivel Nut & Gasket	
Size	Part Name	Item #	Part Name	Item #	Part Name	Item #
1-1/2"	PL15-AFSM	90120015	PL15-AFSB	90130015	PL15-MFSM	90070015
2"	PL20-AFSM	90120020	PL20-AFSB	90130020	PL20-MFSM	90070020
2-1/2"	PL25-AFSM	90120025	PL25-AFSB	☎	PL25-MFSM	90070025
3"	PL30-AFSM	90120030	PL30-AFSB	90130030	PL30-MFSM	90070030
4"	PL40-AFSM	90120040	PL40-AFSB	90130040	PL40-MFSM	90070040
6"	PL60-AFSM	90120060	PL60-AFSB	90130060	PL60-MFSM	90070060

	Brass Swivel Nut w/Gasket		Plated Ductile Swivel Nut w/Gasket	
Size	Part Name	Item #	Part Name	Item #
1-1/2"	PL15-BS	90050015	PL15-MS	90060015
2"	PL20-BS	90050020	PL20-MS	90060020
2-1/2"	PL25-BS	90050025	PL25-MS	90060025
3"	PL30-BS	90050030	PL30-MS	90060030
4"	PL40-BS	90050040	PL40-MS	90060040
6"	PL60-BS	90050060	PL60-MS	90060060

DISCHARGE & SUCTION HOSE COUPLINGS Complete Set



Rubber Replacement Gasket

DISCHARGE & SUCTION HOSE COUPLINGS Individual Parts



Male Shank



Female Shank with Nut



Nut

Special Application Fittings - Discharge & Suction Hose Couplings



Special Application Fittings - Ground Joint Couplings

**GROUND JOINT
COUPLINGS /
COPPER SEATS
PLATED DUCTILE**



Clamp Size	Coupling w/ Female Spud		Stem		Wing Nut	
	Part Name	Item #	Part Name	Item #	Part Name	Item #
1/2"	GJF50	90000101	GJS-50	90000110	GJWN-50	90000122
3/4"	GJF75	90000102	GJS-75	90000111	GJWN-75	90000124
1"	GJF100	90000103	GJS-100	90000112	GJWN-100	90000124
1-1/4"	GJF125	90000104	GJS-125	90000113	GJWN-125	90000126
1-1/2"	GJF150	90000105	GJS-150	90000114	GJWN-150	90000126
2"	GJF200	90000106	GJS-200	90000115	GJWN-200	90000127
2-1/2"	GJF250	90000107	GJS-250	90000116	GJWN-250	90000128
3"	GJF300	90000108	GJS-300	90000117	GJWN-300	90000129
4"	GJF400	90000109	GJS-400	90000118	GJWN-400	90000130

**MALE / FEMALE SPUD
PLATED DUCTILE**



Clamp Size	Female Spud		Male Spud		Double Spud	
	Part Name	Item #	Part Name	Item #	Part Name	Item #
1/2"	GJFS-50	90000134	GJMS-50	90000145	GJDS-50	90000154
3/4"	GJFS-75	90000135	GJMS-75	90000146	☎	☎
1"	GJFS-100	90000136	GJMS-100	90000147	GJD75/100	90000156
1-1/4"	GJFS-125	90000137	GJMS-125	90000148	GJDS-125	90000157
1-1/2"	GJFS-150	90000138	GJMS-150	90000149	GJDS-150	90000158
2"	GJFS-200	90000139	GJMS-200	90000150	GJDS-200	90000159
2-1/2"	GJFS-250	90000140	☎	☎	☎	☎
3"	GJFS-300	90000141	☎	☎	☎	☎
4"	GJFS-400	90000142	☎	☎	☎	☎



Hose ID	Hose OD		Part Name	Item #
	Size	From		
1/2"	15/16"	1-1/16"	UHC50-4	90000081-4
1/2"	11/16"	1-3/16"	UHC50-5	90000081-5
3/4"	1-3/16"	1-5/16"	UHC75-U9	90000082-U
3/4"	1-5/16"	1-1/2"	UHC75-9	90000082-9
3/4"	1-1/2"	1-11/16"	UHC75-10	90000082-1
1"	1-17/32"	1-23/32"	UHC100-U14	90000083-U
1-1/4"	2-1/16"	2-1/4"	UHC125-19	90000084-1
1-1/2"	2-3/32"	2-9/32"	UHC150-U24	90000085-U
1-1/2"	2-15/32"	2-23/32"	UHC150-25	90000085-2
2"	2-1/2"	2-25/32"	UHC200-U29	90000086-U
2"	2-3/4"	3-1/6"	UHC200-29	90000086-2
2"	3-3/32"	3-7/16"	UHC200-30	90000086-3
2-1/2"	3-1/2"	3-15/16"	UHC250-34	90000087-3
3"	3-13/16"	4-3/16"	UHC300-35	9000008935
3"	4-1/16"	4-7/16"	UHC300-39	9000008939
4"	5-1/8"	6-3/16"	UHC400-49	90000090-4

BOLT TYPE CLAMPS
PLATED DUCTILE IRON
2 BOLT & 4 BOLT



**With safety claws, zinc plated - two parts. 1 1/4" size and larger with 4 bolts.*

MALE STEM
SHANK X MALE
NPT THREAD



Hose Shank X NPT	Zinc Plated Steel	Item #
	Part Name	Item #
1/4" x 1/8"	GJMST42	90000302
1/4" x 1/4"	GJMST44	90000304
1/4" x 3/8"	GJMST46	90000306
3/8" x 1/4"	GJMST64	90000308
3/8" x 3/8"	GJMST66	90000310
1/2" x 1/4"	GJMST84	90000312
1/2" x 3/8"	GJMST86	90000314
1/2" x 1/2"	GJMST88	90000316
3/4" x 1/2"	GJMST128	90000318
1/2" x 3/4"	GJMST812	90000320
3/4" x 3/4"	GJMST1212	90000322
1" x 3/4"	GJMST1612	90000324
1" x 1"	GJMST1616	90000326
Zinc Plated Ductile Iron		
Hose Shank X NPT Thread	Part Name	Item #
1-1/4" x 1-1/4"	GJMST125	90000165
1-1/2" x 1-1/2"	GJMST150	90000166
2" x 2"	GJMST200	90000167
2-1/2" x 2-1/2"	GJMST250	90000168
3" x 3"	GJMST300	90000169
4" x 4"	GJMST400	90000170

Clamp Opening	Part Name	Item #
1-1/32" - 7/8"	HC0687	900000910
7/8" - 1 -9/64"	HC0814	900000920
1-5/16" - 1-11/32"	HC1334	900000930
1-5/16" - 1-19/32"	HC1359	900000940
1-5/8" - 1-15/16"	HC1693	900000950
1-7/8" - 2-3/8"	HC1817	900000960
2-3/8" - 3-7/16"	HC2343	900000970
3-1/2" - 3-11/16"	HC3568	900000980
3-3/4" - 4-1/2"	HC3700	900000990
3-1/2" - 4"	HC3500	90000095
4-1/16" - 4-7/16"	HC4062	90000096
4-3/16" - 5"	HC4187	90000097
5" - 5-1/2"	HC5000	90000098
5-1/2" - 6-1/6"	HC5500	90000099
6-15/16" - 7-5/8"	HC6937	90000100

BOLT TYPE CLAMPS
MALLEABLE IRON,
ZINC PLATED, WITH
LOOSE TONGUES



Special Application Fittings - Bolt Clamps & Male Stem



UCHS
CLAW COUPLING X
HOSE SHANK
 150 PSI MAX working pressure
 Includes Safety Clip



Plated Ductile		
Size	Part Name	Item #
1/4"	UCHS25	90000025
3/8"	UCHS38	90000026
1/2"	UCHS50	90000027
3/4"	UCHS75	90000028
1"	UCHS100	90000029
1-1/4"	UCHS125	90000075

UCME
CLAW COUPLING X
MALE NPT
 150 PSI MAX working pressure
 Includes Safety Clip



Plated Ductile		
Size	Part Name	Item #
1/4"	UCME25	90000049
3/8"	UCME38	90000050
1/2"	UCME50	90000051
3/4"	UCME75	90000052
1"	UCME100	90000053

UCFE
CLAW COUPLING X
FEMALE NPT
 150 PSI MAX working pressure
 Includes Safety Clip



Plated Ductile		
Size	Part Name	Item #
1/4"	UCFE25	90000037
3/8"	UCFE38	90000038
1/2"	UCFE50	90000039
3/4"	UCFE75	90000040
1"	UCFE100	90000041
1-1/2"	UCFE150	90000074

UCDE
DEAD END COUPLING
 150 PSI MAX working pressure
 Includes Safety Clip



Plated Ductile	
Part Name	Item #
UCDE	90000058



Part Name	Item #
TWC	9000072

TWC
THREE WAY COUPLING
110 PSI working pressure



Size	Hose O.D.		Part Name	Item#
	From	To		
1/2"	0.81	1.03	UCHS50-F CLAW COUP-FERR	901000
3/4"	1.03	1.34	UCHS75-F CLAW COUP-FERR	901001
1"	1.25	1.56	UCHS100-F CLAW COUP-FERR	901002
1"	1.44	1.75	UCHS100-F2 CLAW COUP-FER	901003

UCH
CLAW COUPLER X HOSE
SHANK WITH FERRULE
Plated Ductile Iron Body with
Carbon Steel Ferrule



Part Name	Item #
RG	9000073

RG
OIL RESISTANT
RUBBER GASKET



Part Name	Item #
UC	9000024

UC CLIP

☎A) Style WST: for hose-to-tool service				
Cable	Hose I.D.	Length	Part Name	Item#
1/8"	.5"-1.25"	20-1/4"	WST18HT	90000019
1/4"	1.5" - 3"	38"	WST14HT	90000022

**SAFETY
CABLE AIR-HOSE
RESTRAINT**



☎B) Style WS: for hose-to-hose service				
Cable	Hose I.D.	Length	Part Name	Item#
1/8"	.5"-1.25"	20-1/4"	WS18HH	90000020
1/4"	1.5" - 3"	38"	WS14HH	90000021





**CSB QUICK
COUPLING SAND BLAST
COUPLING**
COUPLER X HOSE
CONNECTION 110 PSI MAX.
PRESSURE SUPPLIED
WITH SCREWS.



				Aluminum	Brass
Size	Cross Ref.	Hose O.D.	Part Name	Item #	Item #
3/4"	Q1	1.50"	07 CSB	60900700	62900700
1"	Q2	1.88"	10 CSB	60901000	62901000
1-1/4"	Q3	2.16"	12 CSB	60901200	62901200
1-1/2"	Q4	2.38"	15 CSB	60901500	62901500

**DSB THREAD
COUPLING**
COUPLER X FEMALE NPT



				Aluminum	Brass
Size	Cross Ref.	Part Name	Item #	Item #	
1-1/4"	SB-1	12 DSB	60911200	62911200	
1-1/2"	SB-2	15 DSB	60911500	62911500	

**NSB NOZZLE
HOLDER**
1-1/4" NPSM THREAD X HOSE
CONNECTION
SUPPLIED WITH SCREWS.



				Aluminum	Brass
Size	Cross Ref.	Hose O.D.	Part Name	Item #	Item #
3/4"	HE-1	1.50"	07 NSB	60930700	62930700
1"	HE-2	1.88"	10 NSB	60931000	62931000
1-1/4"	HE-3	2.16"	12 NSB	60931200	62931200
1-1/2"	HE-4	2.38"	15 NSB	60931500	62931500

REPLACEMENT PARTS

Part Name	Item #	Description
YSBG	62940000	Gasket
YSBS	62940001	Sand Blast Screw



Standard Port		
Size	Part Name	Item #
1"	10STD Poly Ball Valve	90000202
1-1/4"	12STD Poly Ball Valve	90000204
2"	20STD Poly Ball Valve	90000205

Full Port		
Size	Part Name	Item #
1/2"	05FP Poly Ball Valve	90000207
3/4"	07FP Poly Ball Valve	90000210
1"	10FP Poly Ball Valve	90000211
1-1/4"	12FP Poly Ball Valve	90000212
1-1/2"	15FP Poly Ball Valve	90000213
2"	20FP Poly Ball Valve	90000214
3"	30FP Poly Ball Valve	90000215

Size	Part Name	Item #
2"	20FPMC Full Port Male X Male Coupler	90000295
2"	20FPFMC Full Port Female X Male Coupler	90000296

BOLTED POLY BALL VALVES
FEMALE NPT THREAD
X FEMALE NPT
THREAD



COMPACT BOLTED BALL VALVES
FEMALE NPT THREAD X
MALE ADAPTER



Size	Part Name	Item #
3"	30FP Ball Valve Seal Kit	90000250

SEAL KIT

Size	Part Name	Item #
1/2"	50BV	90000249
3/4"	75BV	90000251
1"	100BV	90000252
1-1/4"	125BV	90000254
1-1/2"	150BV	90000256
2"	200BV	90000257
3"	300BV	90000258

SINGLE UNION POLY BALL VALVES
FEMALE NPT THREAD
X FEMALE NPT
THREAD



PT Poly Ball Valves are manufactured from glass filled Polypropylene for superior corrosion resistance and strength.

Pressure rated @ 125 PSI @ 70°F, all valves are pressure tested under water before shipping. Teflon® seats allow the self-aligning ball to rotate freely. Stainless steel bolts and nuts. Female NPT threads.

All registered trademarks are the property of their respective owners.



POLY TEES

FEMALE NPT THREAD X
FEMALE NPT THREAD X
FEMALE NPT THREAD



POLY NIPPLES

MALE NPT THREAD X
MALE NPT THREAD



PT Schedule 80 poly fittings are manufactured from glass filled polypropylene. Pressure rated to 150 PSI @ 70°

*Recommended Operating Pressure: 120 PSI @ 0°F
150 PSI @ 70°F
90 PSI @ 150°F*

POLY 90 DEGREE PIPE ELBOWS

FEMALE NPT THREAD X
FEMALE NPT THREAD



POLY 90 DEGREE STREET ELBOWS

MALE NPT THREAD X
FEMALE NPT THREAD



Size	Item #	Part Name
1/2"	85700050	50 POLY TEE
3/4"	85700075	75 POLY TEE
1"	85700100	100 POLY TEE
1-1/4"	85700125	125 POLY TEE
1-1/2"	85700150	150 POLY TEE
2"	85700200	200 POLY TEE
3"	85700300	300 POLY TEE

Size	Item #	Part Name
1/2"	85720050	50 POLY NIPPLE SHORT
1/2"	85730050	50 POLY NIPPLE 3"
3/4"	85720075	75 POLY NIPPLE SHORT
3/4"	85730075	75 POLY NIPPLE 4"
3/4"	85740075	75 POLY NIPPLE LONG 6"
1"	85720100	100 POLY NIPPLE SHORT
1"	85730100	100 POLY NIPPLE 4"
1"	85740100	100 POLY NIPPLE LONG 6"
1-1/4"	85720125	125 POLY NIPPLE SHORT
1-1/4"	85730125	125 POLY NIPPLE
1-1/4"	85740125	125 POLY NIPPLE LONG 6"
1-1/2"	85720150	150 POLY NIPPLE SHORT
1-1/2"	85730150	150 POLY NIPPLE
1-1/2"	85740150	150 POLY NIPPLE LONG 6"
2"	85720200	200 POLY NIPPLE SHORT
2"	85730200	200 POLY NIPPLE
2"	85740200	200 POLY NIPPLE LONG 6"
3"	85720300	300 POLY NIPPLE SHORT
3"	85730300	300 POLY NIPPLE LONG 6"

Size	Item #	Part Name
1/2"	85710050	PE50 90° Elbow
3/4"	85710075	PE75 90° Elbow
1"	85710100	PE100 90° Elbow
1-1/4"	85710125	PE125 90° Elbow
1-1/2"	85710150	PE150 90° Elbow
2"	85710200	PE200 90° Elbow
3"	85710300	PE300 90° Elbow

Size	Item #	Part Name
1/2"	85750050	E50 90° St. Elbow
3/4"	85750075	E75 90° St. Elbow
1"	85750100	E100 90° St. Elbow
1-1/4"	85750125	E125 90° St. Elbow
1-1/2"	85750150	E150 90° St. Elbow
2"	85750200	E200 90° St. Elbow
3"	85750300	E300 90° St. Elbow



Size	Description	Item #
1/2"	50 Poly Coupling	85760050
3/4"	75 Poly Coupling	85760075
1"	100 Poly Coupling	85760100
1-1/4"	125 Poly Coupling	85760125
1-1/2"	150 Poly Coupling	85760150
2"	200 Poly Coupling	85760200
3"	300 Poly Coupling	85760300

POLY COUPLING
FEMALE NPT X FEMALE NPT



Size	Description	Item #
3/4"	75 Poly Cross	85780075
1"	100 Poly Cross	85780100
1-1/4"	125 Poly Cross	85780125
1-1/2"	150 Poly Cross	85780150
2"	200 Poly Cross	85780200

POLY CROSSES
FOUR-WAY FEMALE NPT



Size	Part Name	Item #
3/4" x 1/2"	RN 75X50	85780705
1" x 3/4"	RN 100X75	85781007
1-1/4" x 1"	RN 125X100	85781210
1-1/2" x 1-1/4"	RN 150X125	85781512
2" x 1-1/2"	RN 200X150	85782015
3" x 2"	RN 300X200	85783020

POLY REDUCER NIPPLES
MALE NPT X MALE NPT



Size	Part Name	Item #
1/2"	PTHM50	85880050
3/4"	PTHM75	85880075
1"	PTHM100	85880100
1-1/4"	PTHM125	85880125
1-1/2"	PTHM150	85880150

POLY PTHM-HOSE MENDER
HOSE SHANK X HOSE SHANK



Size	Part Name	Item #
1/2"	PTCN50	85850050
3/4"	PTCN75	85850075
1"	PTCN100	85850100
1-1/4"	PTCN125	85850125
1-1/2"	PTCN150	85850150
2"	PTCN200	85850200
3"	PTCN300	85850300
4"	PTCN400	85850400

POLY PTCN - COMBINATION NIPPLE
MALE NPT X HOSE SHANK





Recommended Operating Conditions

PT Coupling Company does not recommend cam and groove fittings for any compressed gas service, which includes air and steam service.

Material	Gasket	Size	Max. Allowable Working Pressure (PSI)*	Heavy Duty Max. Allowable Working Pressure (PSI)*
Metal Couplings	Standard gaskets are Buna any variation must be specified	½", ¾ x ½", ¾", 1", 1¼", 1½", 2"	250	500
		2½" 3"	200	400
		4"	150	300
		5", 6"	75	150
		8", 10", 12"	50	N/A
Non-Metal Couplings	Standard gaskets are Buna any variation must be specified	¾", 1", 1¼", 1½", 2"	100	N/A
		3", 4"	50	N/A

*Note: Above maximum allowable working pressures are based on operating temperatures less than 100°F. If operating temperatures exceed 100°F, use temperature derating factor from table below.

Locate the correct factor from the table below and multiply this by the appropriate MAWP (psi) above for the elevated temperature working pressure.

Example: 2" Alum. at 250°F = 250 psi x .84 = 210 psi at elevated temperature.

Temperature Derating Factors										
Temp (deg F)	Alum.	Brass	Stain. Steel	Ductile Iron	Carbon Steel	Hast. C®	Carp 20®	Monel®	Poly	Nylon
*Min.	-150 F	-150 F	-150 F	-20 F	-20 F	-150 F	-150 F	-150 F	-15F	-30 F
100	1.00	1.00	1.00	1.00	1.00	1.00	1.00	1.00	1.00	1.00
150	1.00	1.00	1.00	1.00	1.00	1.00	1.00	1.00	0.80	0.90
200	1.00	1.00	1.00	1.00	1.00	1.00	1.00	1.00	NR	0.60
250	0.84	1.00	1.00	1.00	1.00	1.00	1.00	1.00	NR	NR
300	NR	0.97	1.00	1.00	1.00	1.00	1.00	1.00	NR	NR
350	NR	0.95	1.00	1.00	1.00	1.00	1.00	1.00	NR	NR
400	NR	0.92	1.00	1.00	1.00	1.00	1.00	1.00	NR	NR
450	NR	0.90	1.00	1.00	1.00	1.00	1.00	1.00	NR	NR
*500	NR	NR	1.00	1.00	1.00	1.00	1.00	1.00	NR	NR

NR = Not Recommended

*These temperatures represent the extremes that can be handled by current gasket materials.

MATERIALS AVAILABLE FOR SPECIAL USES ARE:	
Monel®	Aluminum Anodized
Carpenter 20®	Teflon® Lined
Hastelloy C®. Hastelloy C22®	Others Per Request
Tantaline	

These listings are not exclusive—please contact us for parts engineered to fit your needs..

All registered trademarks are the property of their respective owners.

All PT Quick Connect/Disconnect Couplings in every metal and size through 6" parts are manufactured to interchange with all products produced to Commercial Item Description **A-A-59326**. All "RFQ's" identified as Government will be quoted with the required components and castings to meet the **A-A-59326** Commercial Item Description. Couplings **NOT** interchangeable in the industry are sizes 8" through 12". No standards were established by the government for these sizes. Quality is controlled in every phase of manufacture as is required for compliance to **A-A-59326**. PT Coupling's quality management system is certified and conforms to the requirements of ISO9001.



ACCESSORIES

CAM ARM GUARANTEE: PT Cam arms are guaranteed against breakage. If a cam arm breaks during normal use, just return it to the branch warehouse in your region for replacement.

Gaskets: Standard gaskets are Buna N. Any variation must be specified.

GASKETS AVAILABLE AND THEIR PROPERTIES				
Compound	Material Color	Color Code Stripe	Minimum Temperature Range F°	Maximum Temperature Range F°
Buna N (std.)	Black	Blue	-65	275
Buna N (Fuel Resist.)	Black	Two Blue	-65	275
Buna N (Hot Oil)	Black	Two Orange	-65	325
Neoprene	Black	White	-65	275
Viton®	Green	N/A	-40	400
Viton®	Black	Green	-40	400
Thiokol®	Black	Yellow & Green	-65	225
Natural Rubber	Tan	N/A	-65	250
White Nitrile (Food)	White	N/A	-65	275
Silicone	Rust	N/A	-150	500
Hypalon®	Black	White & Red	-65	250
EPDM	Black	Yellow	-65	300
EPDM (Fire Hose)	Black	Red or Yellow	-65	300
Teflon® Enveloped	White Translucent	N/A		
Neoprene Filler	Black	White	-65	275
Buna Filler	Black	Blue	-65	275
Viton® Filler	Black	Green	-40	400
EPDM Filler	Black	Yellow	-65	300
Teflon® Encapsulation	Transparent	N/A		
Silicon Filler	Rust	N/A	-75	450
Viton® Filler	Black	N/A	-40	400

All registered trademarks are the property of their respective owners

WARRANTY

PT COUPLING COMPANY WARRANTS ITS PRODUCTS TO BE FREE OF DEFECTS IN MATERIAL AND WORKMANSHIP, AND IN ACCORDANCE WITH THE SPECIFICATIONS LISTED. IT IS THE BUYER'S RESPONSIBILITY TO PERFORM TESTING BEFORE SELECTION OF PRODUCT. ABUSE OR MISAPPLICATION VOIDS THIS WARRANTY.

ANY CATALOG, BROCHURE OR WEBSITE PUBLISHED BY PT COUPLING COMPANY SHOULD ONLY BE CONSIDERED AS AN OFFER TO SELL PRODUCT. IN ADDITION SUCH PUBLISHED MATERIALS ARE NOT IN AND OF THEMSELVES INTENDED TO BE A TECHNICAL MANUAL. DUE TO THE VARIETY OF OPERATING CONDITIONS AND PROCESS APPLICATIONS IT IS THE RESPONSIBILITY OF THE END USER, THROUGH ITS EXPERTISE, TO SELECT THE APPROPRIATE PT COUPLING PRODUCTS AND TO ENSURE ALL PERFORMANCE, SAFETY AND WARNING REQUIREMENTS ARE MET AS DEMANDED PER THE SPECIFIC APPLICATION.

Safety Instructions

INSTALLATION

The PT line of quick disconnect couplings comes with a wide range of fittings including threaded, hose connection, and flanged end. These couplings have been engineered to meet specific requirements with safety margins.

IT IS THE RESPONSIBILITY OF THE END USER TO COMMUNICATE TO THE DISTRIBUTOR, THE APPLICATION AND OPERATING CONDITIONS THE COUPLING WILL BE SUBJECTED TO. IT IS UP TO THE DISTRIBUTOR TO SUPPLY THE RIGHT COUPLING FOR THE APPLICATION. PT COUPLING CO. IS AVAILABLE TO HELP YOU WITH A PROPER COUPLING RECOMMENDATION.

For the type of application required, care must be taken to insure proper connection and a positive seal. Improperly fitted or applied connections can result in serious accident and/or downtime. Under no circumstances shall the recommended pressure rating of the couplings be exceeded.

OPERATION

PT couplings provide for quick and frequent connections by means of the camming action on the groove surface of the male adapter. The male adapter is simply inserted into the female coupler until contact is made with the gasket. Both cam arms on the coupler are then closed simultaneously to produce a uniform gasket compression between the seal surfaces.

The compression on the gasket produces a seal when torque is applied to the cam arms. A positive seal requires that the surfaces on the gasket seat, the adapter face, and the gasket are smooth and uncontaminated. Cam arms must be in the full closed position for proper locking of coupling.

Gasket deterioration and excessive wear on cam, groove, and seal surfaces can reduce the performance of the coupler. Periodic inspection and servicing will ensure an efficient and safe performance.

MAINTENANCE

Couplings should be well maintained and inspected, particularly when the conditions of service include high working pressure and/or the transfer or storage of hazardous materials. Periodic inspection and testing will detect signs indicating deterioration, damage, or loss of performance before failure.

Gaskets: The recommended seal material for a particular application has its limitations. Initial installation of a seal material should be followed by frequent inspections. This will help establish the routine inspection and service cycle.

Replacement is required when gasket becomes hard, brittle, or otherwise loses the characteristics required to perform in the intended manner.

Couplers: Periodically check seal surfaces on both coupler and adapter for signs of wear or corrosion. The adapter should be checked for excessive wear on the groove surface where contact is made with cam arms.

Cam arm and pin should also be periodically inspected for excessive wear. Worn or otherwise damaged cam arms and pins can prevent the coupler from operating in the intended manner.

To replace worn cam arm and pin, remove cam pin with hammer and punch. Install properly selected new cam arm and pin making sure the cam arm is positioned in the proper direction. The cam arm handle should always be pointed away from the female end of the cam and groove connection when the arm is in the closed position. Safety goggles should be worn during this procedure.



WARNING



IMPROPER USE, APPLICATION OR SELECTION OF THE APPROPRIATE PRODUCTS AS IS DESCRIBED HEREIN CAN RESULT IN PROPERTY DAMAGE, PERSONAL INJURY OR EVEN DEATH.



Recommended Materials

All recommendations are based on media temperature of 70° F. Since the resistance of metals, plastics, and elastomers can be affected by concentration, temperature, presence of other chemicals and other factors, this information should be considered as a general guide. Ultimately, the customer must determine the suitability of the material to be used.

LEGEND

Body Material		Gasket Material	
A	Aluminum	BN	Buna N (Standard)
B	Brass	BF	Buna N (Fuel)
C	Ductile Iron	NE	Neoprene
E	Stainless Steel	TF	Teflon®
S	Carbon Steel	VT	Viton®
P	Polypropylene	EP	EPDM
N	Nylon	SC	Silicone
☎	Consult PT	☎	Consult PT

All registered trademarks are the property of their respective owners.

Media	Body Material	Gasket Material
Acetic Acid	AEP	EP
Acetic Anhydride	AEP	NE
Acetone	ACESPN	EP
Acetylene-dry	AEC	NE
Agricultural Lime Solutions	CESPN	BN
Air	ABCEN	BN
Alcohol-Amyl	BCESPN	BN
Alcohol-Butyl	ABCEPN	BN
Alcohol-Thyl	BCESPN	VT
Alcohol-Isopropyl	ABCESPN	BF
Alcohol-Methyl	BCESPN	BF
Alum	E	BN
Aluminum Chloride	P	BN
Aluminum Floride, 20%	ABCP	BN
Aluminum Nitrate	EP	BN
Aluminum Potassium Sulfate	AEP	BN
Aluminum Sulfate	EP	BN
Ammonia-Gas or Liquid	ACSPN	NE
Ammonium Chloride -Dry	CP	BN

Media	Body Material	Gasket Material
Ammonium Hydroxide	ACEP	EP
Ammonium Nitrate	AESP	BN
Ammonium Phosphate	EP	BN
Mono-Basic	E	BN
DI Basic or Tri-Basic	AEP	BN
Ammonium Sulfate	CEP	BN
Analline	ACESP	EP
Arsenic Acid	EP	BN
Asphalt	BCES	VT
Barium Chloride	BECP	TF
Barium Hydroxide	CESP	BN
Barium Sulfide	ESP	BN
Basic Slag	P	BN
Beer	ABEN	NE
Benzene/Benzol	ABCESN	VT
Benzine	ABCESN	BN
Bio-Diesel	(VT
Black Liquor (Paper Ind.)	P	VT
Bleach (12.5 Chloride)	P	VT



Recommended Materials

Media	Body Material	Gasket Material
Borax	CESP	SC
Boric Acid	AEP	BN
Brine	EPN	BN
Bromic Acid	P	VT
Burnt Limt (CA O)	ABCESPN	BN
Butadiene	ABCES	SC
Butane	ABCEN	BN
Butenes	ABCES	VT
Butyl Acetate-Dry	ABCES	EP
Butyle Stearate	ABE	BN
Butylene	ABCE	BN
Cadium Cyanide	P	BN
Calcium Acetate	BEP	EP
Calcium Bisulfite	EP	BN
Calcium Chloride	P	BN
Calcium Hydroxide	BCESP	BN
Calcium Hypochlorite	P	HP
Calcium Nitrate, 40%	ACEP	BN
Carbolic Acid (Phenol)	E	VT
Carbon Dioxide -Dry	ABCEN	BN
Carbon Disulfide	ABCES	VT
Carbon Tetrachloride	CEN	VT
Carbonated Beverages	AEN	NE
Carbonic Acid	AEN	BN
Castor Oil	EPN	BN
Caustic Potash (KOH)	CPN	EP
Caustic Soda (NA OH)	CPN	EP
"Cellosolves"	☠	☠
Butyl or Ethyl	ABCES	TF
Methyl	ABCES	BN
Chlorobromomethane	BE	VT
Chloroform-Dry	ABN	NE
"Chlorex"	BN	NE
Chromic Acid, 50%	CEP	HP
Citric Acid	EPN	NE
Cobaltized Super Compound	P	BN
Copper Chloride-Dry	CSP	BN
Copper Sulfate	EP	BN
Copperized Super Compound	P	BN
Corn Oil	EPN	BN
Cottonseed Oil	AEPN	BN
Cresote	ABCES	VT
Cresylic Acid	ABCES	VT

Media	Body Material	Gasket Material
Cyclohexane	ABCESN	VT
Detergents	EPN	BN
Developer Solution	P	BN
Dextrose	AEN	BN
Diesel Fuels	ABCESPN	BF
Diethylene Glycol	ABCESP	BF
Diethyl Sebacate	☠	☠
Disodium Phosphate	P	BN
Dowtherm	S	VT
Ethanolamine	ACES	NE
Ether	ABEN	BN
Ethyl Acetate	CESPN	EP
Ethyl Chloride-Dry	ABE	BN
Ethylene	BCE	BF
Ethylene Dichloride-Dry	ABCES	VT
Ethylene Glycol	ABCESPN	BF
Ethylene Oxide	E	TF
Fatty Acids	EPN	BN
Ferric Chloride	BP	BN
Ferric Hydroxide	P	BN
Ferric Nitrate	EP	BN
Ferric Sulfate	EP	BN
Flourboric Acid	EP	☠
Formaldehyde, 40%	AEP	NE
Formalin	AEP	NE
Formic Acid	AEP	NE
Freon	ACESPN	NE
Fruit Juices	☠	☠
Grapefruit	EN	NE
Lemon	EN	NE
Pineapple	EN	NE
Furfural	ABCE	NE
Gas -Coke Oven	☠	☠
Gasoline-Refined	ABCESN	BF
Gasoline-Sour	AEN	BF
Gelatin	AEPN	NE
Glucose	AEPN	NE
Glue	ABCESPN	BN
Glycerin	ABCESPN	BF
Glycols	PN	BF
Green Liquors (Paper Ind.)	P	VT
Hexane	ABCESN	VT
Hydrobromic Acid	P	VT



Media	Body Material	Gasket Material
Hydrochloric Acid	P	VT
Hydrocyanic Acid, 50%	AEP	EP
Hydrofluoric Acid, 48%	E	☠
Hydrogen Gas	ABCEN	BN
Hydrogen Peroxide	EP	VT
Hydrogen Sulfate	E	☠
"Hypo"	E	BN
Hypochlorous Acid, 20%	☠	VT
Isobutyl Acetate	ABESPN	EP
Isopropyl Acetate	CEP	EP
Jet Fuel	ABCESN	VT
Kerosene	ABCESN	BN
Lacquers	ABEN	BN
Lactic Acid, 20%	EPN	NE
Lactic Acid, 50%	EP	NE
Lard	EPN	NE
Lead Chloride Sulfate	P	BN
Lime Slurry	EPN	BN
Lime Sulfur	CESPN	BN
Linoleic Acid	EP	SC
Linseed Oil	EPN	BN
L.P.G.	ABCEN	BF
Magnesium Carbonate	BCESPN	BN
Magnesium Chloride	EP	BN
Magnesium Hydroxide	BCESPN	EP
Magnesium Nitrate	AEP	BN
Magnesium Sulfate	AEP	NBN
Meat and Bone Meal	APN	BN
Mercuric Chloride	P	BN
Mercury	CESPN	BN
Methane	ACEN	BF
Methanol	ABCESPN	BF
Methyl Amyl Acetate	P	EP
Methylene Chloride	EN	T
Methyl Benzene	ABCESN	VT
Methylethyl Keton	ABCESPN	EP
Milk	EN	NE
Mineral Oil	ABCESPN	BN
Molasses	BCESPN	NE
Muriate of Potash (K CL)	CPN	BN
Muriatic Acid (H CL)	☠	VT
Naptha	ABESN	VT
Napthalene	ABCES	VT

Media	Body Material	Gasket Material
Napthenic Acid	BCES	BN
Natural Gas	ACEN	BF
Nickel Chloride	EP	BN
Nickel Sulfate	BEP	BN
Nitric Acid	EP	VT
Nitrobenzene	ACESN	EP
Nitro Lime	P	BN
Octane	ABCESN	VT
Oil-Core	BCESN	BN
Oil-Fuel	ABCESN	BF
Oil-Hydraulic	ABCESPN	BN
Oil-Petroleum	☠	☠
Crude	CESN	BF
Refined	ABCESN	BN
Oil-Transmission	BCESPN	VT
Oil-Vegetable	EPN	NE
Oleic Acid	CESPN	BN
Oleum	CS	VT
Oxalic Acid	APN	BN
Oxygen	ABCEN	BN
Palmitic Acid	EPN	BN
Paraffin	ABCESPN	BN
Pentachlorophenol-Dru	S	TF
Perchloroethylene	CEN	VT
Phosphoric Acid	EP	☠
Photographic Solutions	PN	VT
Phthalic Anhydride	ABCESPN	NE
Picric Acid	☠	☠
Molten E	E	☠
Aqueous Solution	EP	☠
Plating Solutions	P	EP
Potassium Acetate	BCE	EP
Potassium Chloride	PN	BN
Potassium Cyanide	ESN	BN
Potassium Dichromate	ABCESN	BN
Potassium Flouride	ABCESPN	☠
Potassium Hydroxide,30%	EPN	EP
Potassium Nitrate	ABCEPN	BN
Potassium Sulfate	ABEPN	BN
Propionic Acid	EPN	NE
Propylene Glycol	ABCPN	BN
Propylene Oxide	ESN	EP
Rosi	AEPN	BN



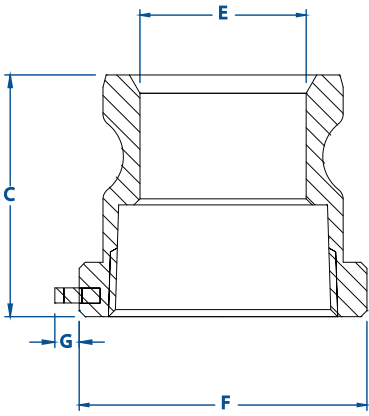
Recommended Materials

Media	Body Material	Gasket Material
Salt Water	BEPN	BN
Shellac	AEPN	BN
Silicone Fluid	EN	EP
Silicone Oil	EPN	NE
Silver Nitrate	PN	EP
Soap Solutions	EPN	BN
Soda Ash	CESPN	BN
Sodium Bicarbonate	BEPN	BN
Sodium Bisulfate	EP	BN
Sodium Borate	ABEPN	BN
Sodium Carbonate	CESPN	BN
Sodium Chloride	BCESPN	BN
Sodium Cyanide, 10%	CESPN	BN
Sodium Dichromate, 10%	AESP	HP
Sodium Hydroxide, 40%	CEPN	NE
Sodium Hypochlorite, 20%	P	☠
Sodium Metaphosphate	BEPN	BN
Sodium Nitrate	ACESPN	EP
Sodium Peroxide	CESP	EP
Sodium Phosphate	☠	☠
Mon-Basic	BCESP	BN
Di-Basic	BCESP	BN
Tri-Basic	BCESP	BN
Sodium Silicate	BCEP	BN
Sodium Sulfate	BEPN	BN
Sodium Sulfide	ESP	BN
Sodium Thiosulfate	SP	BN
Soybean Oil	SPN	BN
Stannic Chloride	P	☠
Stannous Chloride, 15%-Dry	CE	HP
Steam 400°F	CE	VT
Stearic Acid	EP	BN
Stoddard Solvent	ABCES	BF

Media	Body Material	Gasket Material
Styrene	VT	VT
Sugar Liquors	☠	☠
Cane	ABCESPN	NE
Beet	ACESPN	NE
Sulfate Liquors	EP	BN
Sulphite Liquors	EP	VT
Sulfuric Acid	☠	☠
Sulfurous Acid	EP	HP
Superphosphate	P	BN
Tannic Acid, 10%	EP	HP
Tar-Wood	ABCESP	BN
Tartaric Acid	EPN	BN
Titanium Tetrachloride-Dry	ESPN	VT
Toluene/Toluol	ABCESN	VT
Tetrachloroethylene	EN	VT
Trichloroethylene-Dry	BCESN	VT
Triethanolamine	ACEP	EP
Trisodium Phosphate	ESPN	BN
Urea	AEP	BN
Urine	PN	NE
Varnish	AEN	VT
Vinegar	EPN	NE
Water	☠	☠
Acid Mine	EN	BN
Deionized	PN	NE
Demineralized	PN	NE
Distilled	AEPN	NE
Fresh	ABEPN	BN
Salt	BEPN	BN
White Liquor (Paper Ind.)	E	BN
Wine	EN	NE
Xylene/Xylol	ABESN	VT
Zinc Chloride	P	BN
Zinc Nitrate, Sulfate	AEPN	BN

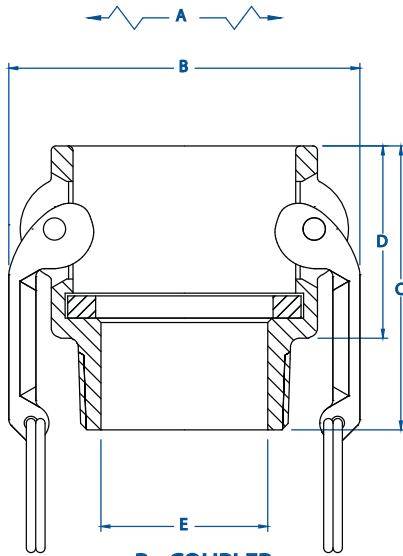


PT COUPLING CO. GENERAL DIMENSIONS



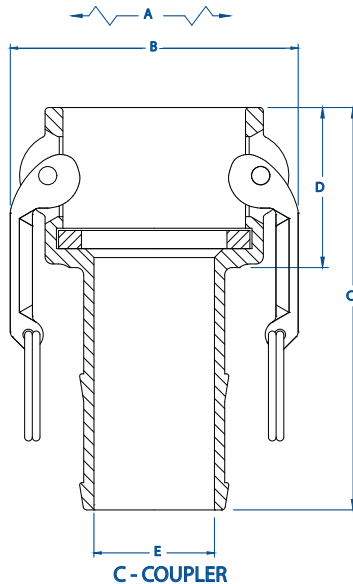
A - Adapter

A - Adapter (ADAPTER X FEMALE THREAD)																
REF	DESCRIPTION	E05	05	07	10	12	15	20	25	30	40	50	60	80	100	120
	COUPLER OR ADAPTER SIZE	.50	.75	.75	1.00	1.25	1.50	2.00	2.50	3.00	4.00	5.00	6.00	8.00	10.00	12.00
	THREAD SIZE	.50	.50	.75	1.00	1.25	1.50	2.00	2.50	3.00	4.00	5.00	6.00	8.00	10.00	12.00
C	OVERALL LENGTH in/(mm)	1.60 (41)	1.62 (41)	1.62 (41)	1.91 (49)	2.16 (55)	2.29 (58)	2.54 (65)	2.75 (70)	2.84 (72)	3.16 (80)	3.22 (82)	3.35 (85)	4.50 (114)	4.50 (114)	4.38 (111)
E	INSIDE DIAMETER in/(mm)	.53 (13)	.66 (17)	.75 (20)	.88 (22)	1.04 (26)	1.35 (34)	1.72 (44)	2.14 (54)	2.80 (71)	3.78 (96)	4.79 (122)	5.90 (150)	7.80 (198)	10.10 (257)	12.00 (305)
F	ACROSS CORNERS in/(mm)	1.12 (28)	1.49 (38)	1.49 (38)	1.76 (45)	2.19 (56)	2.44 (62)	2.92 (74)	3.49 (89)	4.22 (107)	5.41 (137)	6.49 (165)	7.70 (196)	10.23 (260)	12.79 (325)	14.75 (375)
G	CHAIN LUG EXTENSION in/(mm)				.34 (9)	.34 (9)	.33 (8)	.31 (8)	.27 (7)	.44 (11)	.39 (10)	.35 (9)	.60 (15)	.60 (15)	.60 (15)	



B - COUPLER

B - Coupler (COUPLER X MALE THREAD)																
REF	DESCRIPTION	E05	05	07	10	12	15	20	25	30	40	50	60	80	100	120
	COUPLER OR ADAPTER SIZE	.50	.75	.75	1.00	1.25	1.50	2.00	2.50	3.00	4.00	5.00	6.00	8.00	10.00	12.00
	THREAD SIZE	.50	.50	.75	1.00	1.25	1.50	2.00	2.50	3.00	4.00	5.00	6.00	8.00	10.00	12.00
A	O.D. WITH CAM ARMS EXTENDED in/(mm)	4.21 (107)	4.51 (115)	4.51 (115)	5.10 (130)	6.86 (174)	7.16 (182)	7.54 (192)	8.03 (204)	9.56 (243)	10.66 (271)	11.67 (296)	16.26 (413)	18.23 (463)	20.66 (525)	22.72 (577)
B	OUTSIDE DIAMETER in/(mm)	1.82 (46)	2.11 (54)	2.11 (54)	2.44 (62)	3.26 (83)	3.56 (90)	3.94 (100)	4.43 (113)	5.46 (139)	6.56 (167)	7.57 (192)	10.16 (258)	12.13 (308)	14.56 (370)	16.62 (422)
C	OVERALL LENGTH in/(mm)	2.10 (53)	2.10 (53)	2.10 (53)	2.50 (64)	2.89 (73)	2.93 (74)	3.20 (81)	3.63 (92)	3.82 (97)	4.00 (102)	4.20 (107)	4.52 (115)	4.80 (122)	5.50 (140)	5.70 (145)
D	EXPOSED LENGTH in/(mm)	1.25 (32)	1.25 (32)	1.25 (32)	1.56 (40)	1.84 (47)	1.88 (48)	2.15 (55)	2.18 (55)	2.27 (58)	2.34 (59)	2.44 (62)	2.62 (67)	2.72 (69)	3.20 (81)	3.20 (81)
E	INSIDE DIAMETER in/(mm)	.56 (14)	.56 (14)	.78 (20)	.97 (25)	1.25 (32)	1.50 (38)	1.88 (48)	2.38 (60)	2.88 (73)	3.60 (91)	4.50 (114)	5.60 (142)	7.50 (191)	9.40 (239)	11.40 (290)

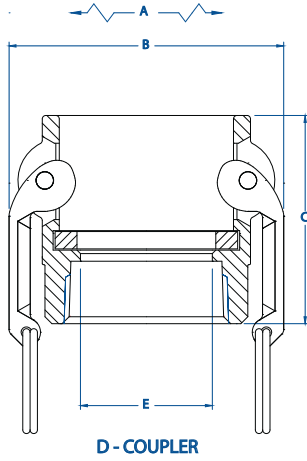


C - COUPLER

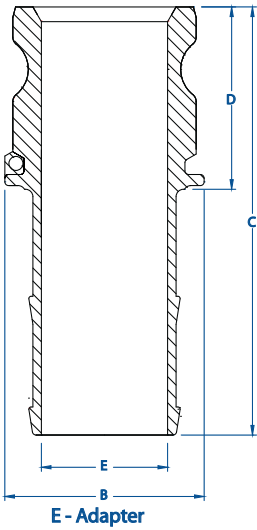
C - Coupler (COUPLER X HOSE SHANK)																
REF	DESCRIPTION	E05	05	07	10	12	15	20	25	30	40	50	60	80	100	120
	COUPLER OR ADAPTER SIZE	.50	.75	.75	1.00	1.25	1.50	2.00	2.50	3.00	4.00	5.00	6.00	8.00	10.00	12.00
	HOSE SHANK SIZE	.50	.50	.75	1.00	1.25	1.50	2.00	2.50	3.00	4.00	5.00	6.00	8.00	10.00	12.00
A	O.D. WITH CAM ARMS EXTENDED in/(mm)	4.21 (107)	4.51 (115)	4.51 (115)	5.10 (130)	6.86 (174)	7.16 (182)	7.54 (192)	8.03 (204)	9.56 (243)	10.66 (271)	11.67 (296)	16.26 (413)	18.23 (463)	20.66 (525)	22.72 (577)
B	OUTSIDE DIAMETER in/(mm)	1.82 (46)	2.11 (54)	2.11 (54)	2.44 (62)	3.26 (83)	3.56 (90)	3.94 (100)	4.43 (113)	5.46 (139)	6.56 (167)	7.57 (192)	10.16 (258)	12.13 (308)	14.56 (370)	16.62 (422)
C	OVERALL LENGTH in/(mm)	2.69 (68)	2.7 (69)	3.55 (90)	4.06 (103)	4.44 (113)	4.82 (122)	5.53 (140)	5.93 (151)	6.32 (161)	6.64 (169)	7.24 (184)	9.5 (241)	9.5 (241)	12 (305)	12 (305)
D	EXPOSED LENGTH in/(mm)	1.25 (32)	1.25 (32)	1.25 (32)	1.56 (40)	1.84 (47)	1.88 (48)	2.15 (55)	2.18 (55)	2.27 (58)	2.34 (59)	2.44 (62)	2.7 (69)	2.72 (69)	3.2 (81)	3.3 (81)
E	INSIDE DIAMETER in/(mm)	0.38 (10)	0.38 (10)	0.53 (13)	0.78 (20)	0.97 (25)	1.22 (31)	1.71 (43)	2.16 (55)	2.65 (67)	3.53 (90)	4.53 (115)	5.53 (140)	7.53 (191)	9.4 (239)	11.4 (290)



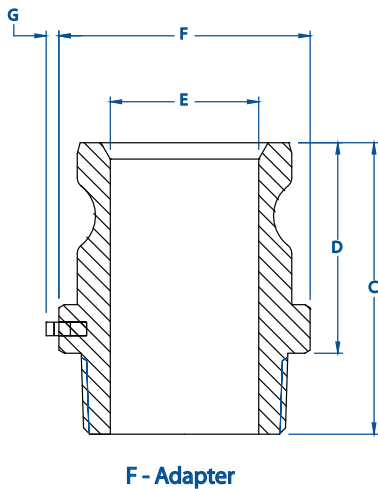
PT COUPLING CO. GENERAL DIMENSIONS



D - Coupler (COUPLER X FEMALE THREAD)																
REF	DESCRIPTION	E05	05	07	10	12	15	20	25	30	40	50	60	80	100	120
	COUPLER OR ADAPTER SIZE	.50	.75	.75	1.00	1.25	1.50	2.00	2.50	3.00	4.00	5.00	6.00	8.00	10.00	12.00
	THREAD SIZE	.50	.50	.75	1.00	1.25	1.50	2.00	2.50	3.00	4.00	5.00	6.00	8.00	10.00	12.00
A	O.D. WITH CAM ARMS EXTENDED in/(mm)	4.21 (107)	4.51 (115)	4.51 (115)	5.10 (130)	6.86 (174)	7.16 (182)	7.54 (192)	8.03 (204)	9.56 (243)	10.66 (271)	11.67 (296)	16.26 (413)	18.23 (463)	20.66 (525)	22.72 (577)
B	OUTSIDE DIAMETER in/(mm)	1.82 (46)	2.11 (54)	2.11 (54)	2.44 (62)	3.26 (83)	3.56 (90)	3.94 (100)	4.43 (113)	5.46 (139)	6.56 (167)	7.57 (192)	10.16 (258)	12.13 (308)	14.56 (370)	16.62 (422)
C	OVERALL LENGTH in/(mm)	2 (51)	2.1 (53)	2.1 (53)	2.5 (64)	2.7 (69)	2.8 (71)	3.1 (79)	3.4 (86)	3.5 (89)	3.9 (99)	4.1 (104)	4.4 (112)	4.8 (122)	5.5 (140)	5.7 (145)
E	INSIDE DIAMETER in/(mm)	0.67 (17)	0.67 (17)	0.88 (22)	0.97 (25)	1.25 (32)	1.5 (38)	1.88 (48)	2.38 (60)	2.88 (73)	3.6 (91)	4.5 (114)	5.5 (140)	7.5 (191)	9.4 (239)	11.4 (290)



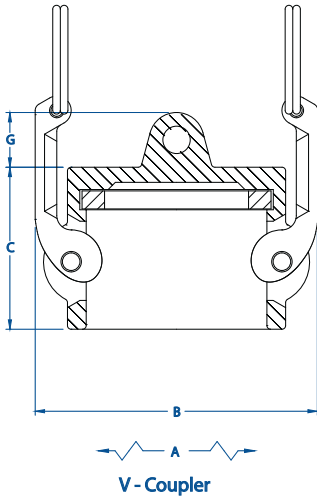
E - Adapter (ADAPTER X HOSE SHANK)																
REF	DESCRIPTION	E05	05	07	10	12	15	20	25	30	40	50	60	80	100	120
	COUPLER OR ADAPTER SIZE	.50	.75	.75	1.00	1.25	1.50	2.00	2.50	3.00	4.00	5.00	6.00	8.00	10.00	12.00
	HOSE SHANK SIZE	.50	.50	.75	1.00	1.25	1.50	2.00	2.50	3.00	4.00	5.00	6.00	8.00	10.00	12.00
B	OUTSIDE DIAMETER in/(mm)	0.96 (24)	1.26 (32)	1.26 (32)	1.63 (41)	2 (51)	2.14 (54)	2.64 (67)	3.07 (78)	3.70 (94)	4.71 (120)	6.56 (167)	7.1 (180)	9.1 (231)	11.37 (289)	13.46 (342)
C	OVERALL LENGTH in/(mm)	2.56 (65)	3.21 (82)	3.78 (96)	4.3 (109)	4.90 (124)	5.10 (130)	5.75 (146)	6.63 (168)	6.88 (175)	7.2 (183)	7.56 (192)	10.1 (257)	10.1 (257)	11.7 (297)	11.7 (297)
D	EXPOSED LENGTH in/(mm)	1.11 (28)	1.46 (37)	1.46 (37)	1.8 (46)	2.35 (60)	2.15 (55)	2.40 (61)	2.47 (63)	2.53 (64)	2.60 (66)	2.81 (71)	3.3 (84)	3.3 (84)	2.88 (73)	2.88 (73)
E	INSIDE DIAMETER in/(mm)	0.38 (10)	0.35 (9)	0.53 (13)	0.88 (22)	0.97 (25)	1.19 (30)	1.68 (43)	2.13 (54)	2.62 (67)	3.50 (89)	4.53 (115)	5.53 (140)	7.53 (191)	9.4 (239)	11.4 (290)



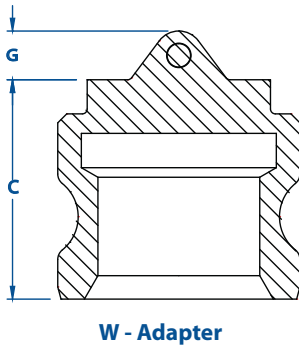
F - Adapter (ADAPTER X MALE THREAD)																
REF	DESCRIPTION	E05	05	07	10	12	15	20	25	30	40	50	60	80	100	120
	COUPLER OR ADAPTER SIZE	.50	.75	.75	1.00	1.25	1.50	2.00	2.50	3.00	4.00	5.00	6.00	8.00	10.00	12.00
	THREAD SIZE	.50	.50	.75	1.00	1.25	1.50	2.00	2.50	3.00	4.00	5.00	6.00	8.00	10.00	12.00
C	OVERALL LENGTH in/(mm)	1.96 (50)	2.47 (63)	2.47 (63)	2.89 (73)	3.23 (82)	3.29 (84)	3.57 (91)	4.18 (106)	4.37 (111)	4.79 (122)	4.91 (125)	5.20 (132)	5.90 (150)	6.75 (171)	7.2 (182)
D	EXPOSED LENGTH in/(mm)	1.26 (32)	1.67 (42)	1.67 (42)	1.99 (51)	2.23 (57)	2.31 (59)	2.57 (65)	2.78 (71)	2.87 (73)	3.19 (81)	3.21 (82)	3.40 (86)	3.90 (99)	4.38 (111)	4.80 (122)
E	INSIDE DIAMETER in/(mm)	0.53 (13)	0.56 (14)	0.75 (19)	0.85 (22)	1.04 (26)	1.34 (34)	1.72 (44)	2.14 (54)	2.80 (71)	3.78 (96)	4.79 (122)	5.84 (148)	7.80 (198)	9.88 (251)	12.00 (305)
F	MAX. ACROSS CORNERS in/(mm)	1.12 (28)	1.42 (36)	1.42 (36)	1.75 (45)	2.16 (55)	2.44 (62)	2.84 (72)	3.45 (88)	4.07 (103)	5.27 (134)	6.39 (162)	7.70 (196)	10.00 (254)	11.87 (301)	14.1 (358)
G	CHAIN LUG EXTENSION in/(mm)				.34 (9)	0.34 (9)	0.30 (8)	0.28 (7)	0.29 (7)	0.44 (11)	0.40 (10)	0.16 (4)	.60 (15)	.60 (15)	.60 (15)	



PT COUPLING CO. GENERAL DIMENSIONS



V - Coupler (COUPLER DUST CAP)																
REF	DESCRIPTION	E05	05	07	10	12	15	20	25	30	40	50	60	80	100	120
	COUPLER OR ADAPTER SIZE	.50		.75	1.00	1.25	1.50	2.00	2.50	3.00	4.00	5.00	6.00	8.00	10.00	12.00
A	O.D. WITH CAM ARMS EXTENDED in/(mm)	4.21 (107)		4.51 (115)	5.10 (130)	6.86 (174)	7.16 (182)	7.54 (192)	8.03 (204)	9.56 (243)	10.66 (271)	11.67 (296)	16.26 (413)	18.23 (463)	20.66 (525)	22.72 (577)
B	OUTSIDE DIAMETER in/(mm)	1.82 (46)		2.11 (54)	2.44 (62)	3.26 (83)	3.56 (90)	3.94 (100)	4.43 (113)	5.46 (139)	6.56 (167)	7.57 (192)	10.16 (258)	12.13 (308)	14.56 (370)	16.62 (422)
C	OVERALL LENGTH in/(mm)	1.3 (33)		1.35 (34)	1.60 (41)	1.89 (48)	1.96 (50)	2.25 (57)	2.28 (58)	2.27 (58)	2.34 (59)	2.44 (62)	2.76 (70)	2.72 (69)	3.30 (84)	3.50 (89)
G	CHAIN LUG EXTENSION in/(mm)	0.5 (13)		0.5 (13)	0.62 (16)	0.6 (15)	0.86 (22)	0.76 (19)	0.90 (23)	1.03 (26)	0.99 (25)	1.15 (29)	1.14 (29)	1.18 (30)	1.30 (33)	1.30 (33)

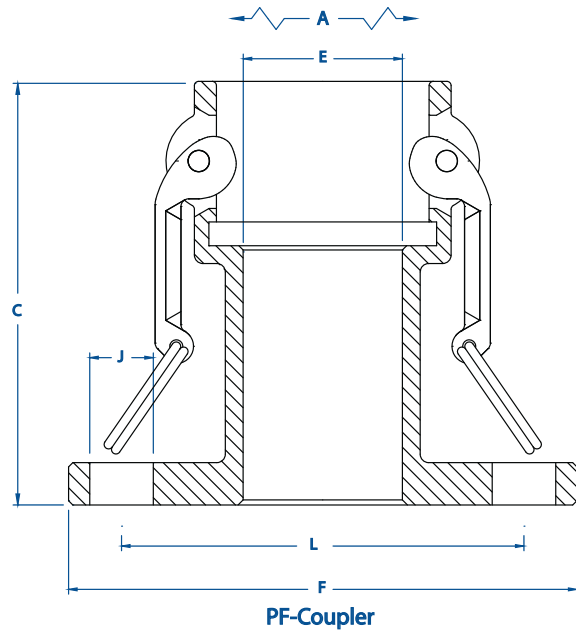
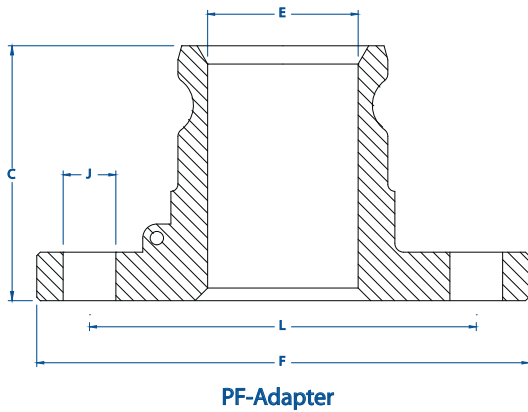


W - Adapter (ADAPTER DUST PLUG)																
REF	DESCRIPTION	E05	05	07	10	12	15	20	25	30	40	50	60	80	100	120
	COUPLER OR ADAPTER SIZE	.50		.75	1.00	1.25	1.50	2.00	2.50	3.00	4.00	5.00	6.00	8.00	10.00	12.00
C	OVERALL LENGTH in/(mm)	1.06 (27)		1.41 (36)	1.35 (34)	1.94 (49)	2.06 (52)	1.90 (48)	2.44 (62)	2.03 (52)	2.10 (53)	2.63 (67)	2.28 (58)	2.28 (58)	3 (76)	2.88 (73)
G	CHAIN LUG EXTENSION in/(mm)	.50 (13)		.59 (15)	.96 (24)	.62 (16)	.50 (13)	.70 (18)	.81 (21)	1.00 (25)	1.00 (25)	.85 (22)	1.00 (25)	1.18 (30)	0.9 (23)	.50 (13)



PT COUPLING CO. GENERAL DIMENSIONS

PART PF-A (ADAPTER X FLANGE)												
REF	DESCRIPTION	PF10A	PF15A	PF20A	PF25A	PF30A	PF40A	PF50A	PF60A	PF80A	PF100A	PF120A
	ADAPTER SIZE	1.00	1.50	2.00	2.50	3.00	4.00	5.00	6.00	8.00	10.00	12.00
	FLANGE SIZE (ANSI CLASS 150)	1.00	1.50	2.00	2.50	3.00	4.00	5.00	6.00	8.00	10.00	12.00
C	OVERALL LENGTH in/(mm)	2.32 (59)	3.56 (90)	3.5 (89)	3.63 (92)	3.69 (94)	4.0 (102)	4.44 (113)	4.5 (114)	5.38 (137)	6.6 (168)	7.0 (178)
E	INSIDE DIAMETER in/(mm)	.88 (22)	1.34 (34)	1.72 (44)	2.14 (54)	2.78 (71)	3.78 (96)	4.79 (122)	5.56 (141)	7.8 (198)	10.0 (254)	11.4 (290)
F	OUTSIDE DIAMETER in/(mm)	4.25 (108)	5.0 (127)	6.0 (152)	7.0 (178)	7.5 (191)	9.0 (229)	10.0 (254)	11.0 (279)	13.5 (343)	16.0 (406)	19.0 (483)
J	BOLT HOLE DIAMETER in/(mm)	.63 (16)	.63 (16)	.75 (19)	.75 (19)	.75 (19)	.75 (19)	.88 (22)	.88 (22)	.88 (22)	1.0 (25)	1.0 (25)
K	NUMBER OF HOLES	4	4	4	4	4	8	8	8	8	12	12
L	BOLT CIRCLE DIAMETER in/(mm)	3.13 (80)	3.88 (99)	4.75 (121)	5.5 (140)	6.0 (152)	7.5 (191)	8.5 (216)	9.5 (241)	11.75 (298)	14.25 (362)	17.0 (432)

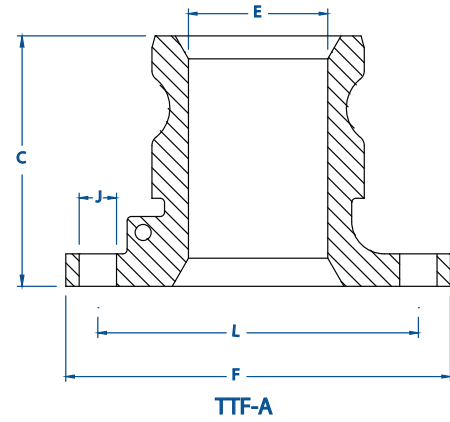


PART PF-C (COUPLER X FLANGE)												
REF	DESCRIPTION	PF10C	PF15C	PF20C	PF25C	PF30C	PF40C	PF60C	PF80C	PF100C	PF120C	
	COUPLER SIZE	1.00	1.50	2.00	2.50	3.00	4.00	6.00	8.00	10.00	12.00	
	FLANGE SIZE (ANSI CLASS 150)	1.00	1.50	2.00	2.50	3.00	4.00	6.00	8.00	10.00	12.00	
A	O.D. WITH CAM ARMS EXTENDED in/(mm)	5.04 (128)	7.16 (182)	7.54 (192)	8.03 (204)	9.56 (243)	10.66 (271)	16.76 (426)	18.73 (476)	23.00 (599)	25.00 (635)	
C	OVERALL LENGTH in/(mm)	3.48 (88)	5.25 (133)	5.82 (148)	5.09 (129)	5.82 (148)	5.39 (137)	7.75 (197)	7.64 (194)	8.5 (216)	8.5 (216)	
E	INSIDE DIAMETER in/(mm)	.69 (18)	1.35 (34)	1.63 (41)	2.38 (60)	2.9 (74)	3.6 (91)	5.6 (142)	7.53 (191)	9.4 (239)	11.4 (290)	
F	OUTSIDE DIAMETER in/(mm)	4.25 (108)	5.0 (127)	6.0 (152)	7.0 (178)	7.5 (191)	9.0 (229)	11.0 (279)	13.5 (343)	16.0 (406)	19.0 (483)	
J	BOLT HOLE DIAMETER in/(mm)	.63 (16)	.63 (16)	.75 (19)	.75 (19)	.75 (19)	.75 (19)	.88 (22)	.88 (22)	1.00 (25)	1.00 (25)	
K	NUMBER OF HOLES	4	4	4	4	4	8	8	8	12	12	
L	BOLT CIRCLE DIAMETER in/(mm)	3.13 (80)	3.88 (99)	4.75 (121)	5.5 (140)	6.0 (152)	7.5 (191)	9.5 (241)	11.75 (298)	14.25 (362)	17.0 (432)	

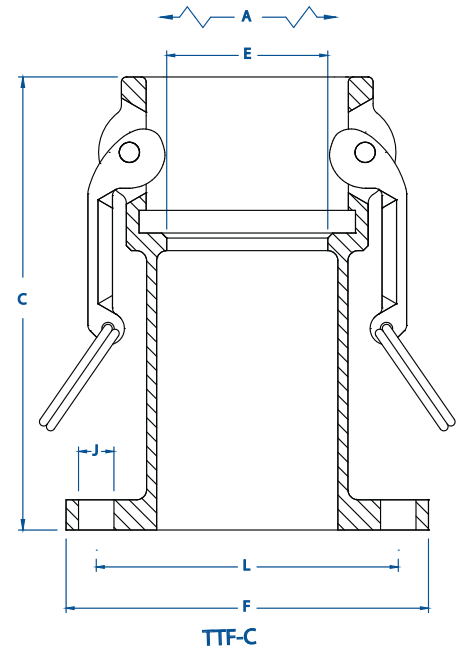


PT COUPLING CO. GENERAL DIMENSIONS

TTF-A (ADAPTER X FLANGE)					
REF	DESCRIPTION	TTF20A	TTF30A	TTF40A	TTF60A
	ADAPTER SIZE	2.00	3.00	4.00	6.00
	FLANGE SIZE (TTMA)	2.00	3.00	4.00	6.00
C	OVERALL LENGTH in/(mm)	2.93 (74)	3.38 (86)	3.35 (85)	4.88 (124)
E	INSIDE DIAMETER in/(mm)	1.63 (41)	2.8 (71)	3.78 (96)	5.84 (148)
F	OUTSIDE DIAMETER in/(mm)	4.5 (114)	5.63 (143)	6.63 (168)	8.88 (226)
J	BOLT HOLE DIAMETER in/(mm)	.44 (11)	.44 (11)	.44 (11)	.44 (11)
K	NUMBER OF HOLES	6	8	8	12
L	BOLT CIRCLE DIAMETER in/(mm)	3.75 (95)	4.88 (124)	5.88 (149)	8.13 (207)



TTF-C (COUPLER X FLANGE)						
REF	DESCRIPTION	TTF20C	TTF30C	TTF40C	TTF60C	TTF80C
	COUPLER SIZE	2.00	3.00	4.00	6.00	8.00
	FLANGE SIZE (TTMA)	2.00	3.00	4.00	6.00	8.00
A	O.D. WITH CAM ARMS EXTENDED in/(mm)	7.54 (192)	9.56 (243)	10.66 (271)	16.26 (413)	18.23 (463)
C	OVERALL LENGTH in/(mm)	5.63 (143)	5.66 (144)	5.68 (144)	7.25 (184)	7.64 (194)
E	INSIDE DIAMETER in/(mm)	2.0 (51)	2.9 (74)	3.6 (91)	5.6 (142)	7.53 (191)
F	OUTSIDE DIAMETER in/(mm)	4.5 (114)	5.63 (143)	6.63 (168)	8.88 (226)	10.87 (276)
J	BOLT HOLE DIAMETER in/(mm)	.44 (11)	.44 (11)	.44 (11)	.44 (11)	.44 (11)
K	NUMBER OF HOLES	6	8	8	12	16
L	BOLT CIRCLE DIAMETER in/(mm)	3.75 (95)	4.88 (124)	5.88 (149)	8.13 (207)	10.12 (257)



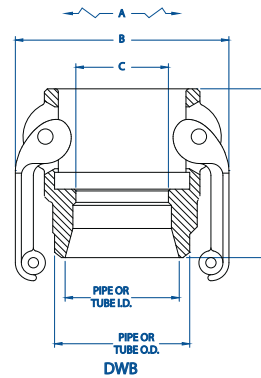
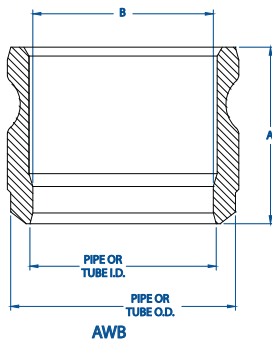
PT Coupling CO. Engagement Lengths															
DESCRIPTION	COUPLER/ADAPTER SIZE														
	E05	05	07	10	12	15	20	25	30	40	50	60	80	100	120
ADAPTER/COUPLER SIZE	0.50	0.75	0.75	1.00	1.25	1.50	2.00	2.50	3.00	4.00	5.00	6.00	8.00	10.00	12.00
ADAPTER ENGAGEMENT LENGTH	1.03	0.97	0.97	1.19	1.44	1.48	1.75	1.75	1.84	1.87	1.97	2.19	2.15	2.55	2.55



PT COUPLING CO. GENERAL SOCKET WELD DIMENSIONS

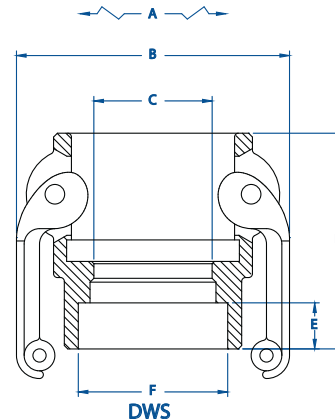
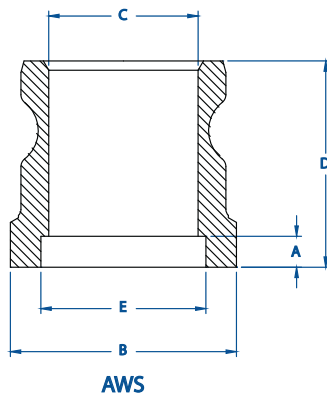
PART AWB (ADAPTER X BUTT WELD)														
DIM	DESCRIPTION	E05	07	10	12	15	20	25	30	40	50	60	80	100
A	OVERALL LENGTH	1.43	1.40	1.74	1.99	2.06	2.50	2.44	2.75	2.88	2.70	3.00	5.90	6.73
B	INSIDE DIAMETER	.53	.75	.88	1.06	1.25	1.75	2.14	2.81	3.75	4.75	5.84	7.80	9.90

PART DWB (COUPLER X BUTT WELD)														
DIM	DESCRIPTION	E05	07	10	12	15	20	25	30	40	50	60	80	100
A	O.D. WITH CAM ARMS EXTENDED	4.21	4.51	5.10	6.86	7.16	7.54	8.03	9.56	10.66	11.67	16.26	18.23	20.66
B	OUTSIDE DIAMETER	1.82	2.11	2.44	3.26	3.56	3.94	4.43	5.46	6.56	7.57	10.16	12.13	14.56
C	INSIDE DIAMETER	.56	.78	.97	1.25	1.54	1.88	2.38	2.88	3.50	4.50	5.50	7.50	9.40
D	OVERALL LENGTH	2.00	2.00	2.51	2.89	2.81	3.20	3.63	3.82	4.00	4.20	4.54	4.80	5.50



PART AWS (ADAPTER X SOCKET WELD)															
DIM	DESCRIPTION	E05	07	10	12	15	20	25	30	40	50	60	80	100	
A	SOCKET DEPTH	.30	.30	.30	.30	.40	.40	.40	.40	.60	.60	.60	.90	.90	
B	OUTSIDE DIAMETER	1.00	1.25	1.45	2.00	2.25	2.74	3.25	3.75	5.01	6.00	7.00	10.30	12.80	
C	INSIDE DIAMETER	.53	.75	.88	1.06	1.35	1.81	2.14	2.81	3.00	4.78	5.84	7.86	9.77	
D	OVERALL LENGTH	1.00	1.13	1.44	2.00	2.13	2.50	2.56	2.75	2.97	2.94	2.90	4.50	4.60	
E	SOCKET DIAMETER	PIPE	.88	1.10	1.36	1.71	1.95	2.44	2.94	3.57	4.58	5.66	6.72	8.74	10.89
		TUBE	.52	.77	1.02	1.27	1.52	2.02	2.52	3.02	4.03	5.03	6.03	8.04	10.05

PART DWS (COUPLER X SOCKET WELD)															
DIM	DESCRIPTION	E05	07	10	12	15	20	25	30	40	50	60	80	100	
A	O.D. WITH CAM ARMS EXTENDED	4.21	4.51	5.10	6.86	7.16	7.54	8.03	9.56	10.66	11.67	16.26	18.23	20.66	
B	OUTSIDE DIAMETER	1.82	2.11	2.44	3.26	3.56	3.94	4.43	5.46	6.56	7.57	10.16	12.13	14.40	
C	INSIDE DIAMETER	.56	.88	.97	1.25	1.50	1.88	2.38	2.88	3.60	4.50	5.50	7.50	9.40	
D	OVERALL LENGTH	2.00	2.06	2.50	2.70	2.81	3.10	3.40	3.50	3.90	4.20	4.54	4.80	5.50	
E	SOCKET DEPTH	.50	.50	.50	.50	.50	.70	.70	.70	.70	.90	.90	.90	.90	
F	SOCKET DIAMETER	PIPE	0.88	1.10	1.36	1.71	1.95	2.44	2.94	3.57	4.58	5.66	6.72	8.74	10.89
		TUBE	0.52	.77	1.02	1.27	1.52	2.02	2.52	3.02	4.03	5.03	6.03	8.04	10.05





Hose Management Solutions
Page 128-129



Hose Details	
Flow Type/Manufacturer	Concrete Chemical
Overall Length	18.8.0 m
Date of Manufacture	03/16/2012
Assembly Working Pressure	12.00 MPa
Nominal Size (in)	1.000
Location	Flowers Sample
F-Wing Details - End A	
Description	Female Couplet
Size (in)	1
Material	Stainless
Retention	Crimp
F-Wing Details - End B	
Description	Female Couplet
Size (in)	1
Material	Stainless
Retention	Crimp
Test Details	
Test Method	Hydraulic
Test Pressure (PSI)	100.00
Result	Pass
Application Test (Composite Model Only)	
Test Length	19.8.2 m
Result	Pass (6.70%)
Final Length	19.8.2 m
Result	Pass (1.07%)
*Based on 100% of initial length	
*Based on 100% and 100% of final length	
Leakage and Electric Resistance Tests (ISO 4186)	
Conductivity	Pass
Result	Pass
Resistance (ohm)	1.00
Result	Pass



PT z-COR
Corrosion Resistant Coating
Page 40-41



Lay-Flat Fluid Transfer System
Page 76

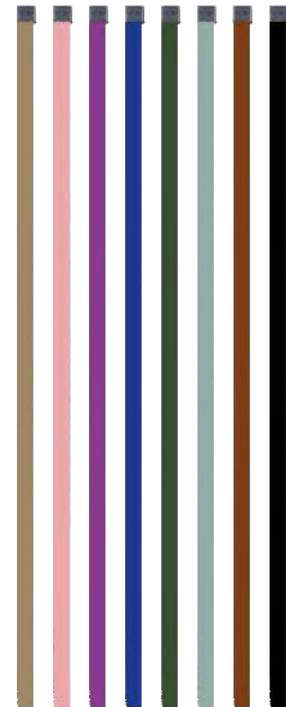
Safety Pumping Systems
Page 96-97

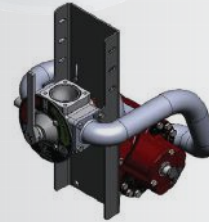
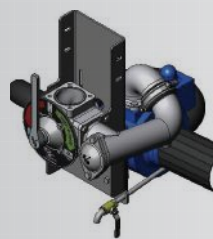
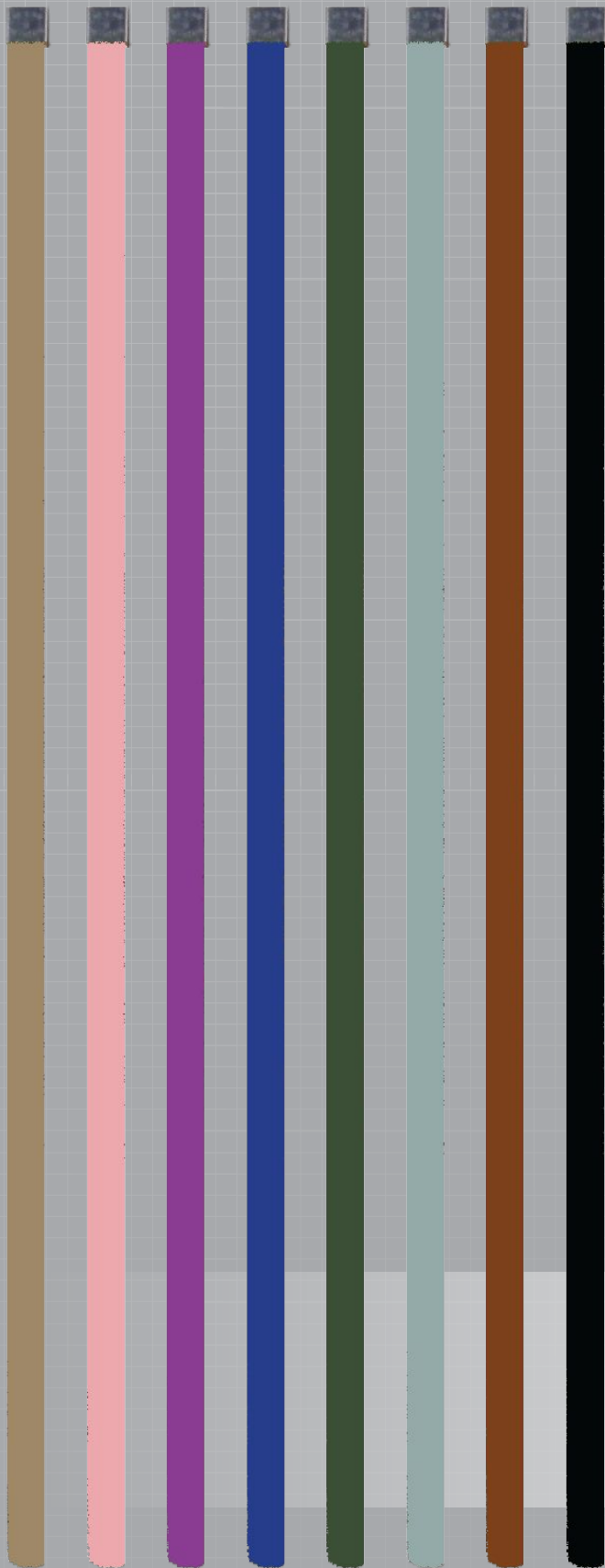


Nozzles
Page 90-91



Powdercoated Banding
Page 133





PT Coupling Company

North American
Toll Free: 800-654-0320
Fax: 800-828-2649

info@ptcoupling.com
govsales@ptcoupling.com

P.O. Box 3909
1414 East Willow
Enid, OK 73701

International: 580-977-3741
International Fax: 580-237-3435
international@ptcoupling.com



THE ASSOCIATION FOR HOSE AND ACCESSORIES DISTRIBUTION

