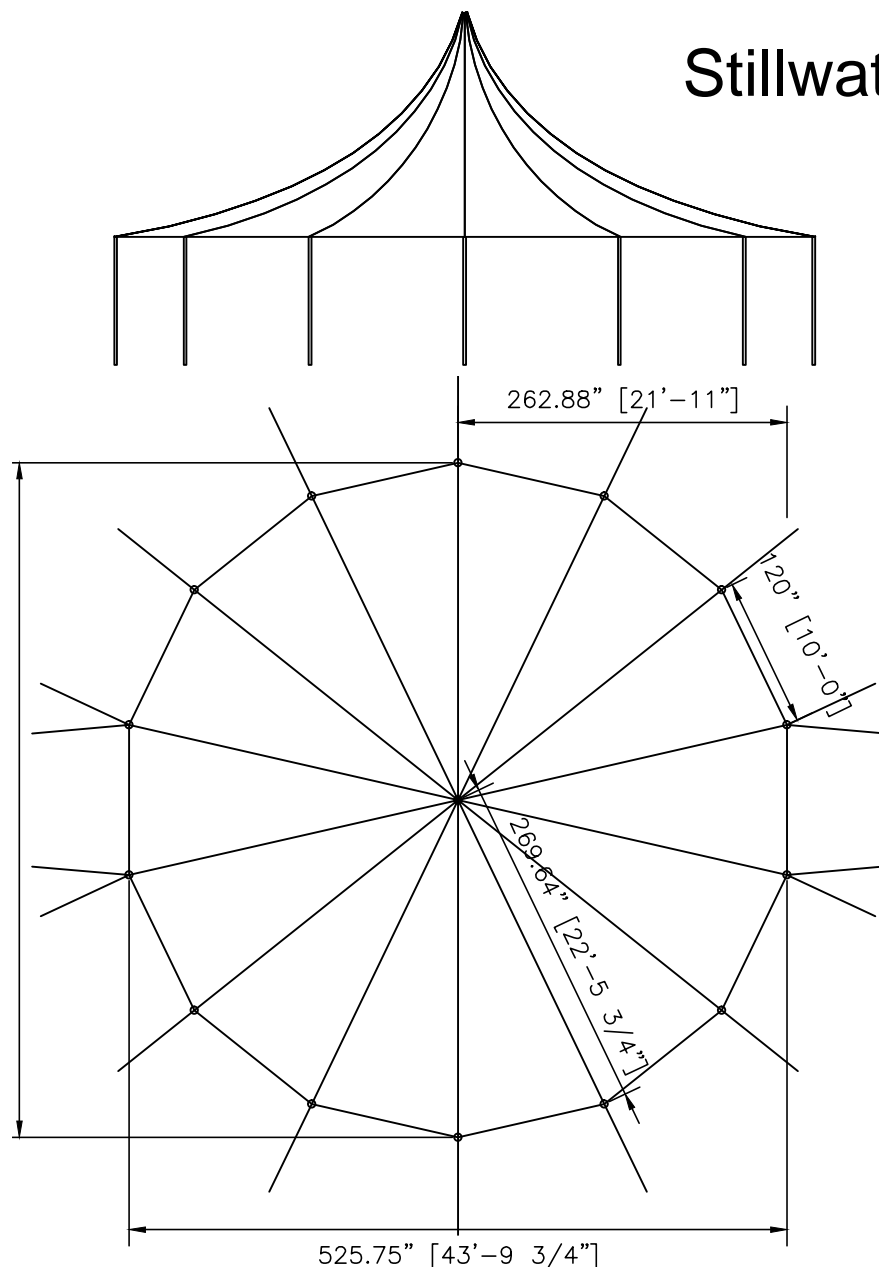


Stillwater 44'x43'



Std/Opt	Qty	Part#	Description
Standard	2	16372	44' Q-End
Option A	1	14114	22' - 4" OD SW CP
	14	14266	8' - 2" OD Alum SP
Option B	1	14114-CH	22' - 4" OD SW Cherry Finish CP
	14	14266-CH	8' - 2" OD Cherry Finish SP
Option C	1	14114-KP	22' - 4" OD SW Pine Finish CP
	14	14266-KP	8' - 2" OD Pine Finish SP
Standard	18	14864	2" Heavy Duty Ratchets
	36	15227-P	1"x42" Dbl Headed Stakes
Optional	1	17517	Squaring Jig for 44' Stillwater

Fred's Standard
44'x43' Stillwater

PROPRIETARY INFORMATION
THE DATA AND DETAILS SHOWN ON THIS PAGE ARE THE SOLE PROPERTY OF FRED'S TENTS & CANOPIES. IT MAY NOT BE USED, DISCLOSED, OR DUPLICATED IN ANY WAY.

FRED'S TENTS & CANOPIES

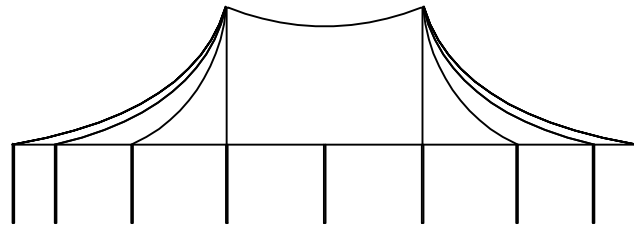
Waterford, NY 12188
www.wemaketents.com • 518.233.8368

44x43 SW PL

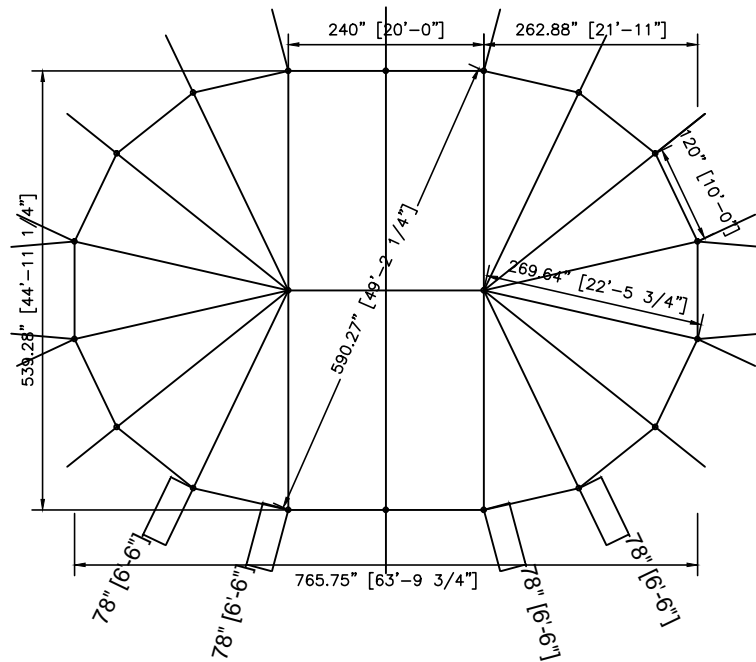
DRAWN BY: MO APP. BY: TV REV: 00 DATE: 03-10-15

SALES DWG

Stillwater 44'x63'



Area: 2432 Sq Ft



Std/Opt	Qty	Part#	Description
Standard	2	16372	44' Q-End
	1	16375	44'x 20' QQ Mid
Option A	2	14114	22' - 4" OD SW CP
	18	14266	8' - 2" OD Alum SP
Option B	2	14114-CH	22' - 4" OD SW Cherry Finish CP
	18	14266-CH	8' - 2" OD Cherry Finish SP
Option C	2	14114-KP	22' - 4" OD SW Pine Finish CP
	18	14266-KP	8' - 2" OD Pine Finish SP
Standard	22	14864	2" Heavy Duty Ratchets
	44	15227-P	1"x42" Dbl Headed Stakes
Optional	1	17517	Squaring Jig for 44' Stillwater

Fred's Standard
44'x63' Stillwater

PROPRIETARY INFORMATION
THE DATA AND DETAILS SHOWN ON THIS PAGE ARE THE SOLE PROPERTY OF FRED'S TENTS & CANOPIES. IT MAY NOT BE USED, DISCLOSED, OR DUPLICATED IN ANY WAY.

FRED'S TENTS & CANOPIES

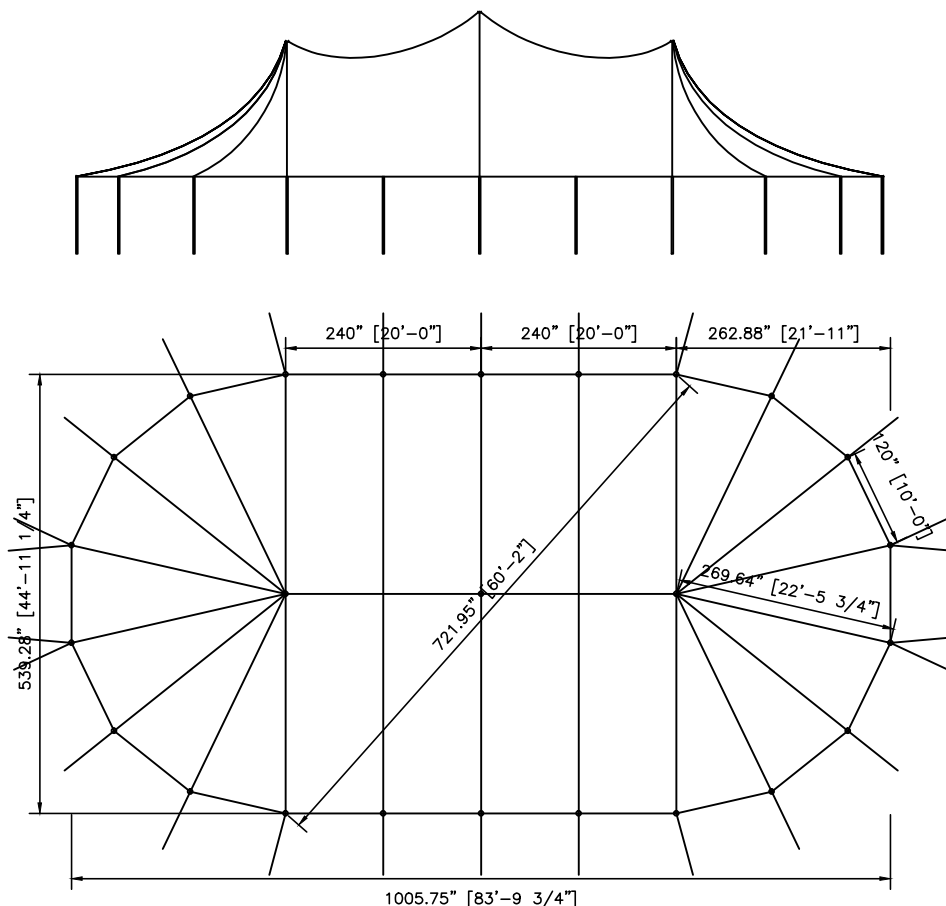
Waterford, NY 12188
www.wemaketents.com • 518.233.8368

44x63 SW PL

DRAWN BY: MO APP. BY: TV REV: DATE: 03-10-15

SALES DWG

Stillwater 44'x83'



Std/Opt	Qty	Part#	Description
Standard	2	16372	44' Q-End
	2	16373	44'x 20' QK Mid
Option A	2	14114	22' - 4" OD SW CP
	1	16420	25' - 4" OD SW CP
	22	14266	8' - 2" OD Alum SP
Option B	2	14114-CH	22' - 4" OD SW Cherry Finish CP
	1	16420-CH	25' - 4" OD SW Cherry Finish CP
	18	14266-CH	8' - 2" OD Cherry Finish SP
Option C	2	14114-KP	22' - 4" OD SW Pine Finish CP
	1	16420-KP	25' - 4" OD SW Pine Finish CP
	18	14266-KP	8' - 2" OD Pine Finish SP
Standard	26	14864	2" Heavy Duty Ratchets
	52	15227-P	1"x42" Dbl Headed Stakes
Optional	1	17517	Squaring Jig for 44' Stillwater

Fred's Standard
44'x83' Stillwater

PROPRIETARY INFORMATION
THE DATA AND DETAILS SHOWN ON THIS PAGE ARE THE
SOLE PROPERTY OF FRED'S TENTS & CANOPIES. IT MAY
NOT BE USED, DISCLOSED, OR DUPLICATED IN ANY WAY.

FRED'S TENTS & CANOPIES

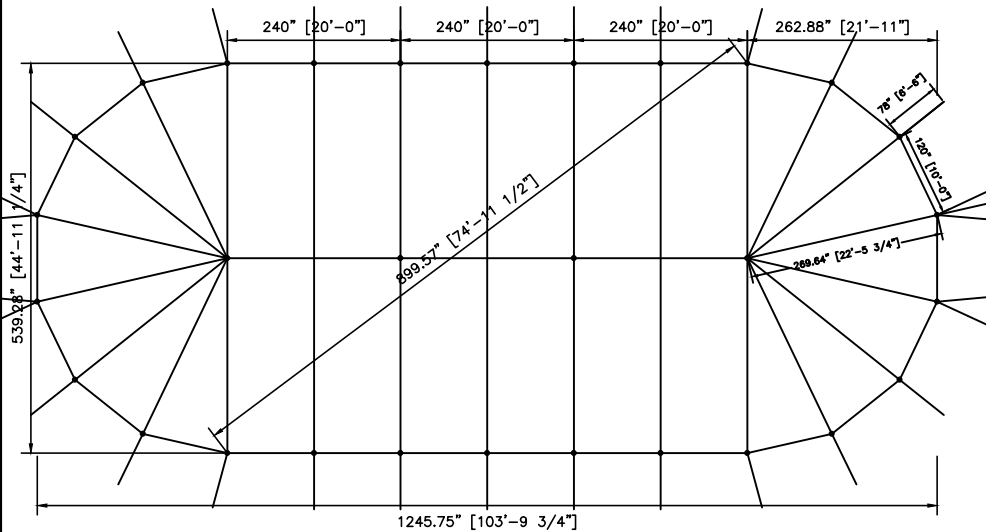
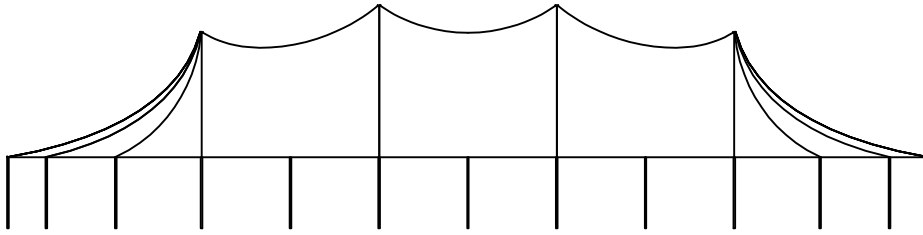
Waterford, NY 12188
www.wemaketents.com • 518.233.8368

44x83 SW PL

DRAWN BY: MO APP. BY: TV REV: 00 DATE: 03-10-15

SALES DWG

Stillwater 44'x103'



Std/Opt	Qty	Part#	Description
Standard	2	16372	44' Q-End
	2	16373	44'x 20' QK Mid
	1	16717	44'x 20' KK Mid
Option A	2	14114	22' - 4" OD SW CP
	2	16420	25' - 4" OD SW CP
	26	14266	8' - 2" OD Alum SP
Option B	2	14114-CH	22' - 4" OD SW Cherry Finish CP
	2	16420-CH	25' - 4" OD SW Cherry Finish CP
	26	14266-CH	8' - 2" OD Cherry Finish SP
Option C	2	14114-KP	22' - 4" OD SW Pine Finish CP
	2	16420-KP	25' - 4" OD SW Pine Finish CP
	26	14266-KP	8' - 2" OD Pine Finish SP
Standard 12347	30	14864	2" Heavy Duty Ratchets
	60	15227-P	1"x42" Dbl Headed Stakes
Optional	1	17517	Squaring Jig for 44' Stillwater

**Fred's Standard
44'x103' Stillwater**

PROPRIETARY INFORMATION
THE DATA AND DETAILS SHOWN ON THIS PAGE ARE THE SOLE PROPERTY OF FRED'S TENTS & CANOPIES. IT MAY NOT BE USED, DISCLOSED, OR DUPLICATED IN ANY WAY.

FRED'S TENTS & CANOPIES
Waterford, NY 12188
www.wemaketents.com • 518.233.8368

DRAWN BY: MO	APP. BY: TV	REV: 00	DATE: 03-10-15
--------------	-------------	---------	----------------

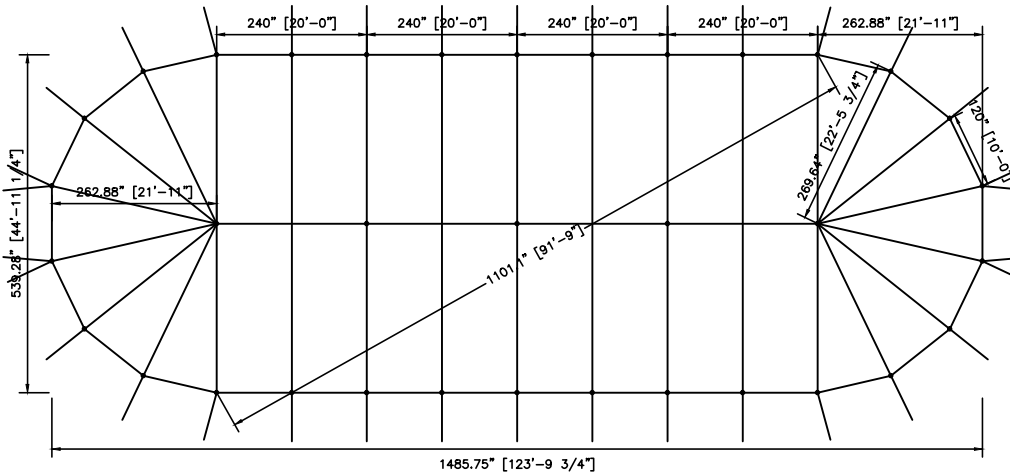
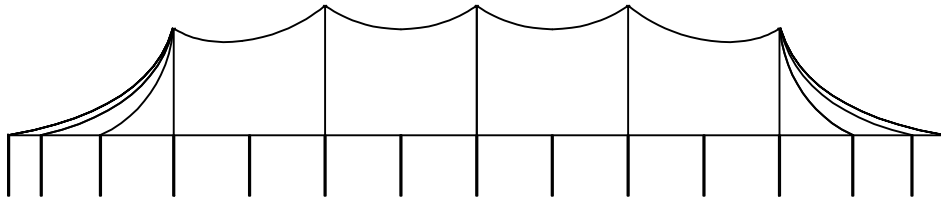
44x103 SW PL
SALES DWG

ITEM# Fabric: 16372/16373/16717

Pole Package: A, B, or C

Stakes & Ratchets: 14864 15227-P

Stillwater 44'x123'



Std/Opt	Qty	Part#	Description
Standard	2	16372	44' Q-End
	2	16373	44'x 20' QK Mid
	2	16717	44'x 20' KK Mid
Option A	2	14114	22' - 4" OD SW CP
	3	16420	25' - 4" OD SW CP
	30	14266	8' - 2" OD Alum SP
Option B	2	14114-CH	22' - 4" OD SW Cherry Finish CP
	3	16420-CH	25' - 4" OD SW Cherry Finish CP
	30	14266-CH	8' - 2" OD Cherry Finish SP
Option C	2	14114-KP	22' - 4" OD SW Pine Finish CP
	3	16420-KP	25' - 4" OD SW Pine Finish CP
	30	14266-KP	8' - 2" OD Pine Finish SP
Standard	34	14864	2" Heavy Duty Ratchets
	68	15227-P	1"x42" Dbl Headed Stakes
Optional	1	17517	Squaring Jig for 44' Stillwater

**Fred's Standard
44'x123' Stillwater**

PROPRIETARY INFORMATION
THE DATA AND DETAILS SHOWN ON THIS PAGE ARE THE
SOLE PROPERTY OF FRED'S TENTS & CANOPIES. IT MAY
NOT BE USED, DISCLOSED, OR DUPLICATED IN ANY WAY.

FRED'S TENTS & CANOPIES

Waterford, NY 12188
www.wemaketents.com • 518.233.8368

44x123 SW PL

DRAWN BY: MO APP. BY: TV REV: 00 DATE: 03-10-15

SALES DWG