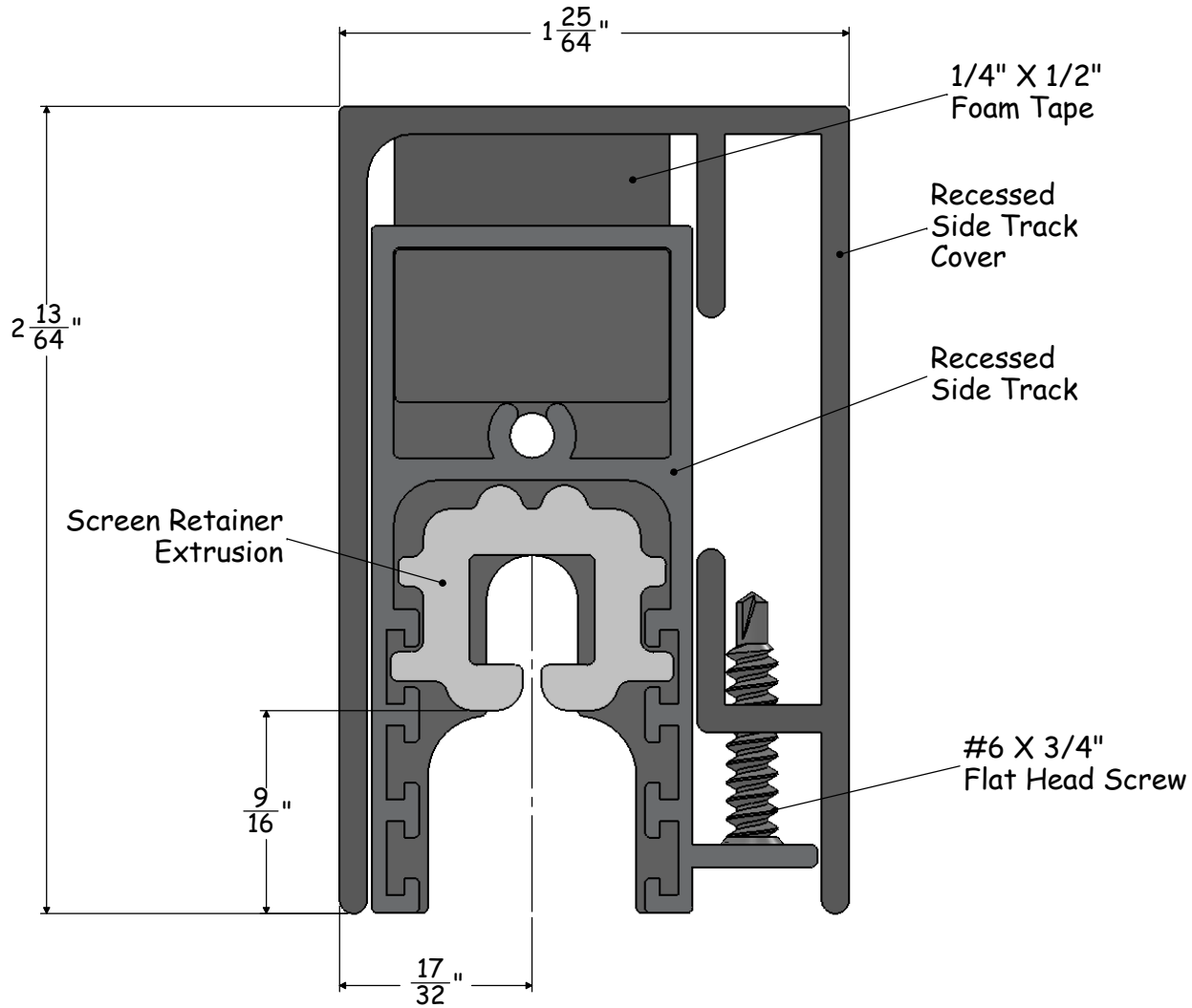




THIS DOCUMENT CONTAINS PROPRIETARY INFORMATION AND IS TO BE RETURNED UPON REQUEST. ITS CONTENT MAY NOT BE DISCLOSED WITHOUT THE WRITTEN CONSENT OF RAINIER INDUSTRIES, LTD.

PART NAME/NUMBER		DESCRIPTION		
N/A		Recessed Track Assembly Illustration		
X.XXX	±0.015	MATERIAL	QUANTITY	COLOR
X.XX	±0.03	See Below	-	-
∠	±2°	BLANK SIZE	WEIGHT	TYPE
		-	-	mfg

Revision	Description	Date	Initial
-	Temporary Illustration Drawing	September 9, 2009	SKM
1	ADDED CL DIM	August 8, 2012	DKT



Appendix A

NOTES: Unless Otherwise Specified

1) Scale: 2 : 1

2) Parts depicted only resemble the actual parts. The sole purpose of this drawing is for instructional and illustration purposes.