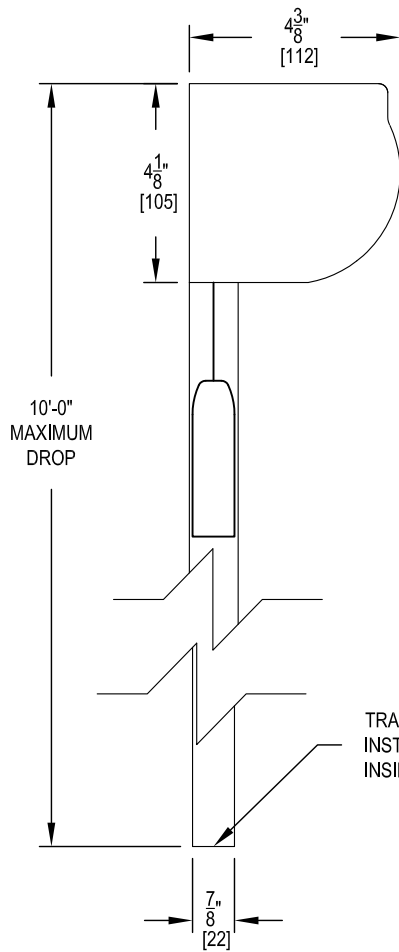


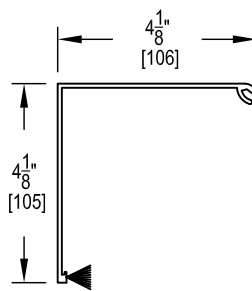


Series 4 Round Design Specifications

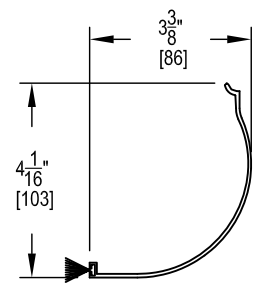
Detail Views



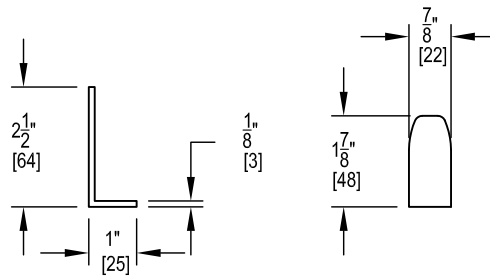
SERIES 4 SCREEN ASSEMBLY
LEFT SIDE VIEW



SERIES 4 HOUSING



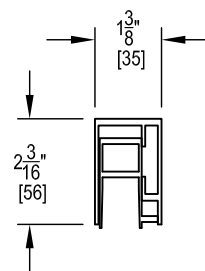
SERIES 4 HOOD - ROUND



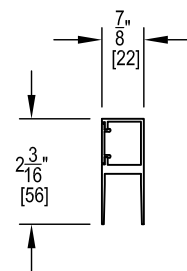
"L" MOUNTING BRACKET

SHORT HEM BAR

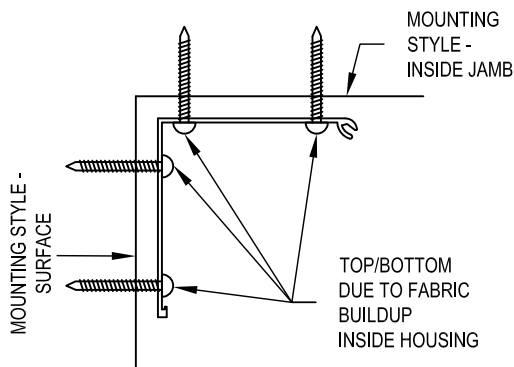
TALL HEM BAR



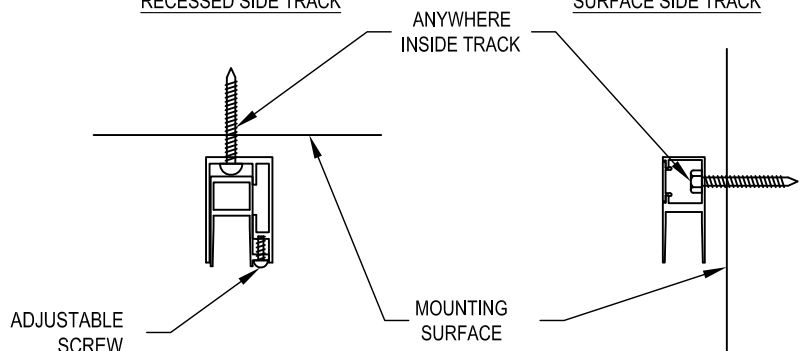
RECESSED SIDE TRACK



SURFACE SIDE TRACK



MOUNTING OPTIONS FOR HOUSING



MOUNTING OPTIONS FOR
RECESSED TRACK

MOUNTING OPTIONS FOR
SURFACE TRACK

NOTICE: This drawing shall not be copied or used for any purpose other than that for which provided. The information disclosed herein originated by and is the proprietary of Rainier Industries, and except for rights expressly granted by written consent. Such information shall not be disclosed or disseminated whole or in part. Rainier Industries reserves all patent, proprietary, design, use, sale, manufacturing and reproduction rights thereto.

DESIGNER: IRM	DATE: 2019-10-04	REV B
DRAWING TITLE: RAINIER SERIES 4 ROUND DETAILS		
©2017 RAINIER INDUSTRIES LTD.		SCALE 3" = 1'-0"