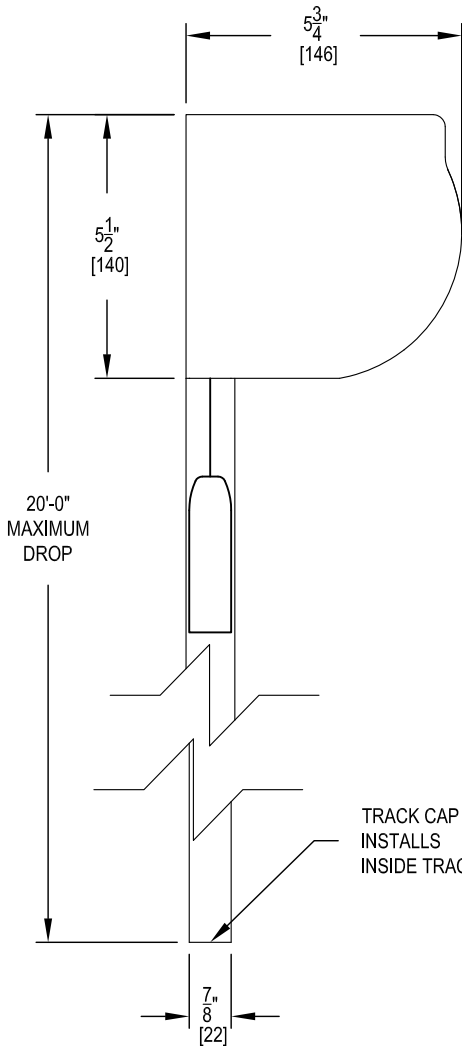


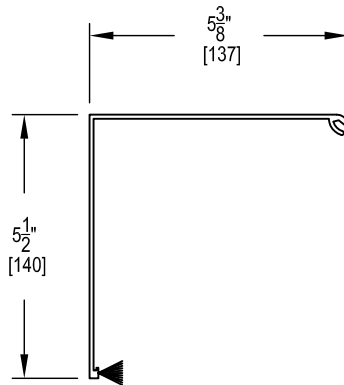


# Series 5 Round Design Specifications

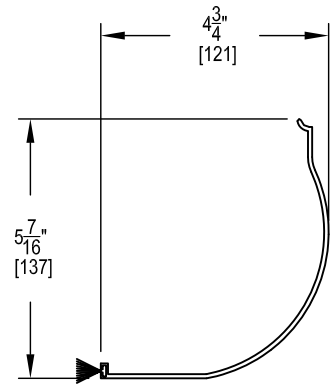
## Detail Views



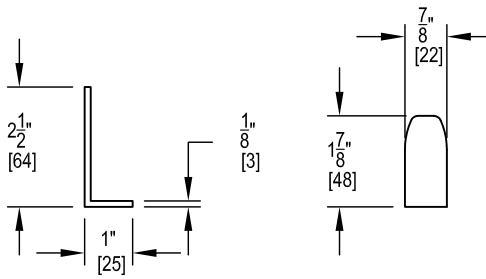
**SERIES 5 SCREEN ASSEMBLY  
LEFT SIDE VIEW**



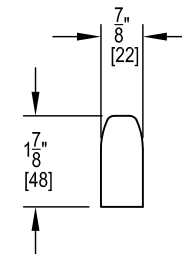
**SERIES 5 HOUSING**



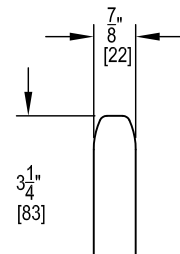
**SERIES 5 HOOD - ROUND**



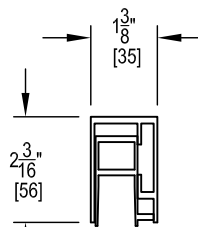
**"L" MOUNTING BRACKET**



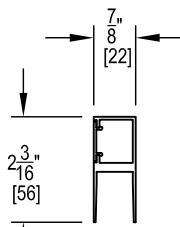
**SHORT HEM BAR**



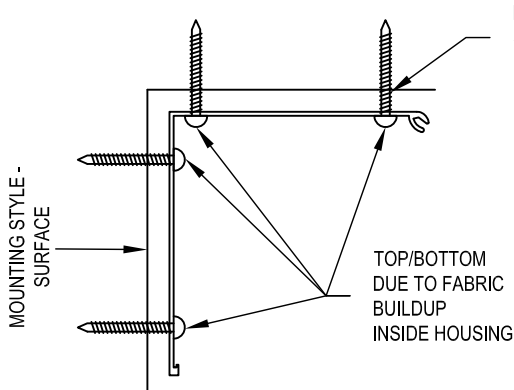
**TALL HEM BAR**



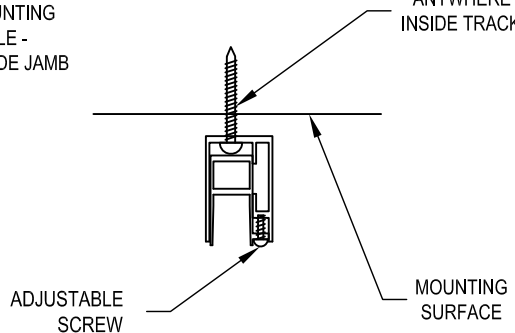
**RECESSED SIDE TRACK**



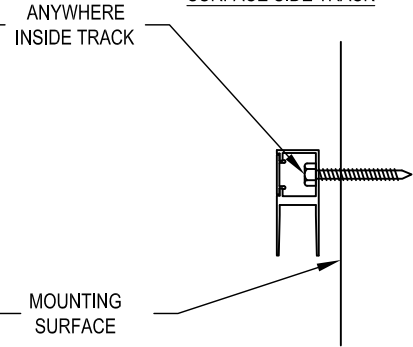
**SURFACE SIDE TRACK**



**MOUNTING OPTIONS FOR HOUSING**



**MOUNTING OPTIONS FOR  
RECESSED TRACK**



**MOUNTING OPTIONS FOR  
SURFACE TRACK**

NOTICE: This drawing shall not be copied or used for any purpose other than that for which provided. The information disclosed herein originated by and is the proprietary of Rainier Industries, and except for rights expressly granted by written consent. Such information shall not be disclosed or disseminated whole or in part. Rainier Industries reserves all patent, proprietary, design, use, sale, manufacturing and reproduction rights thereto.

DESIGNER: <b>IRM</b>	DATE: <b>2019-10-04</b>	REV <b>B</b>
DRAWING TITLE: <b>RAINIER SERIES 5 ROUND DETAILS</b>		
©2017 RAINIER INDUSTRIES LTD.		SCALE <b>3" = 1'-0"</b>