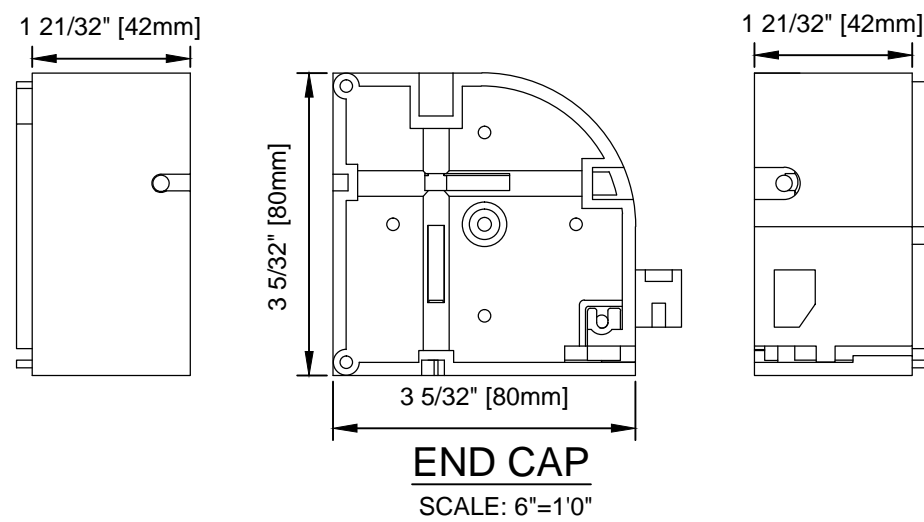
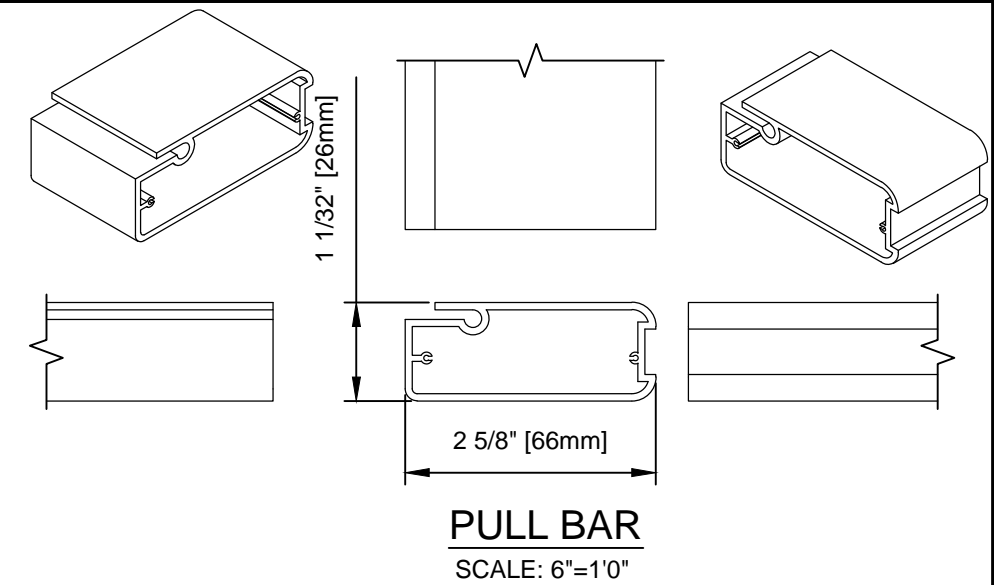


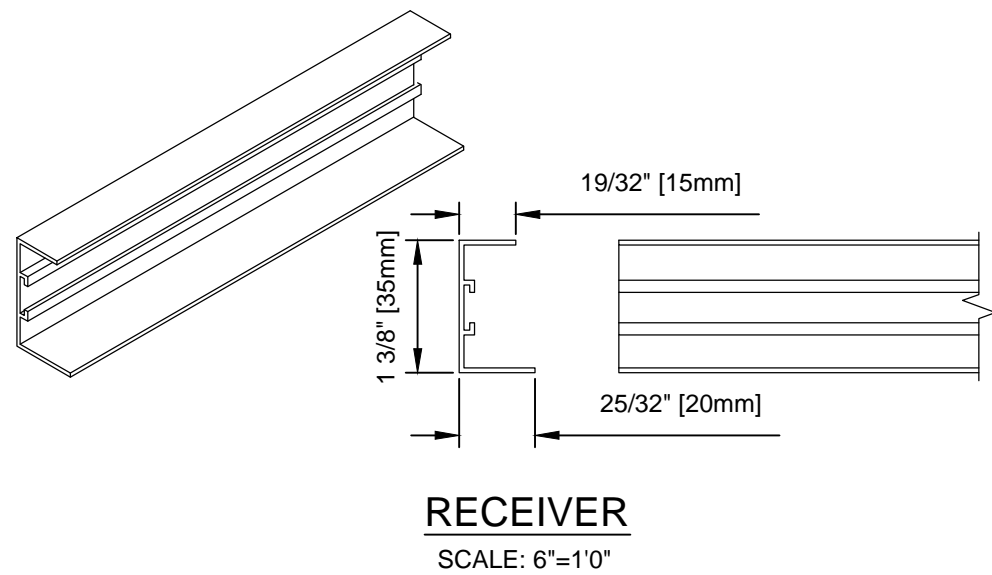
HOUSING
SCALE: 6"=1'0"



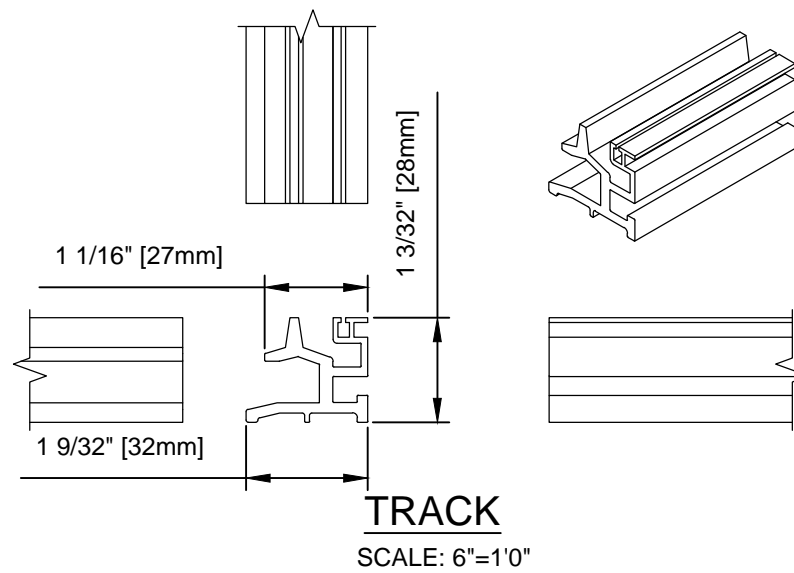
END CAP
SCALE: 6"=1'0"



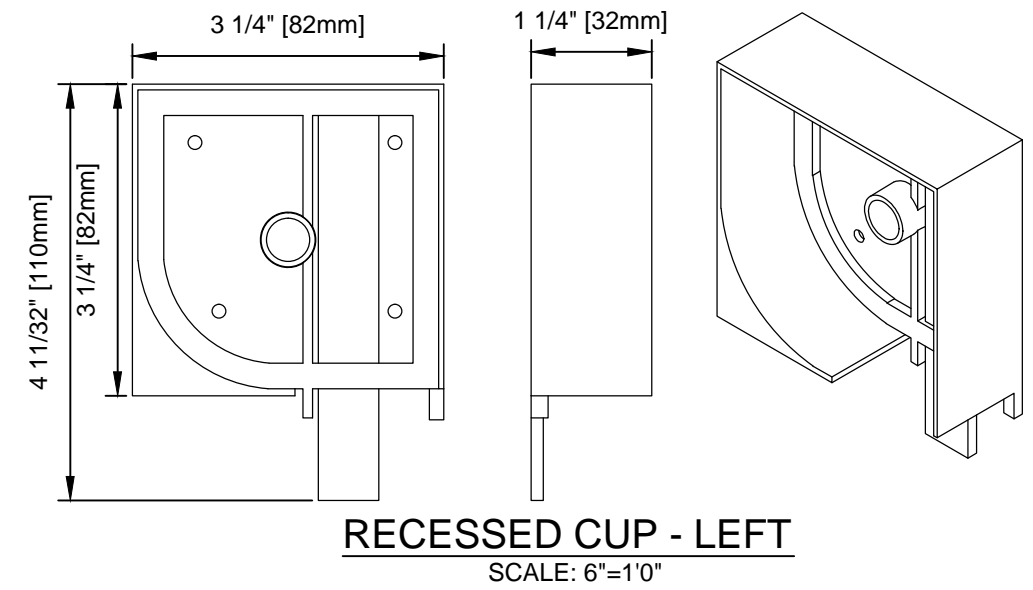
PULL BAR
SCALE: 6"=1'0"



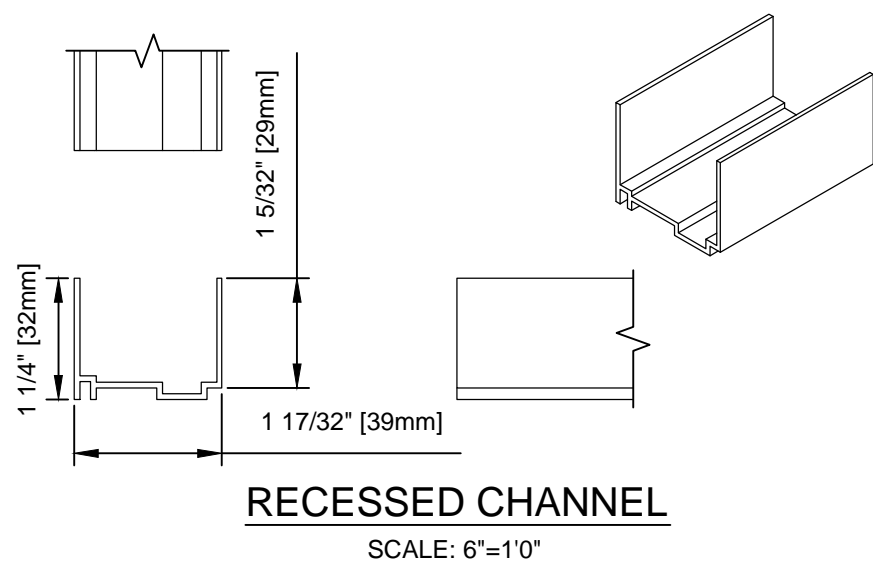
RECEIVER
SCALE: 6"=1'0"



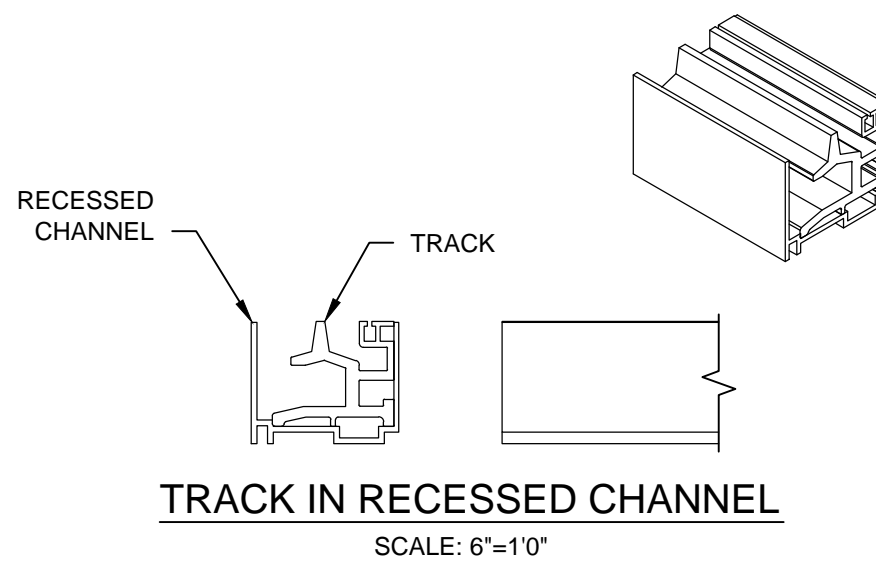
TRACK
SCALE: 6"=1'0"



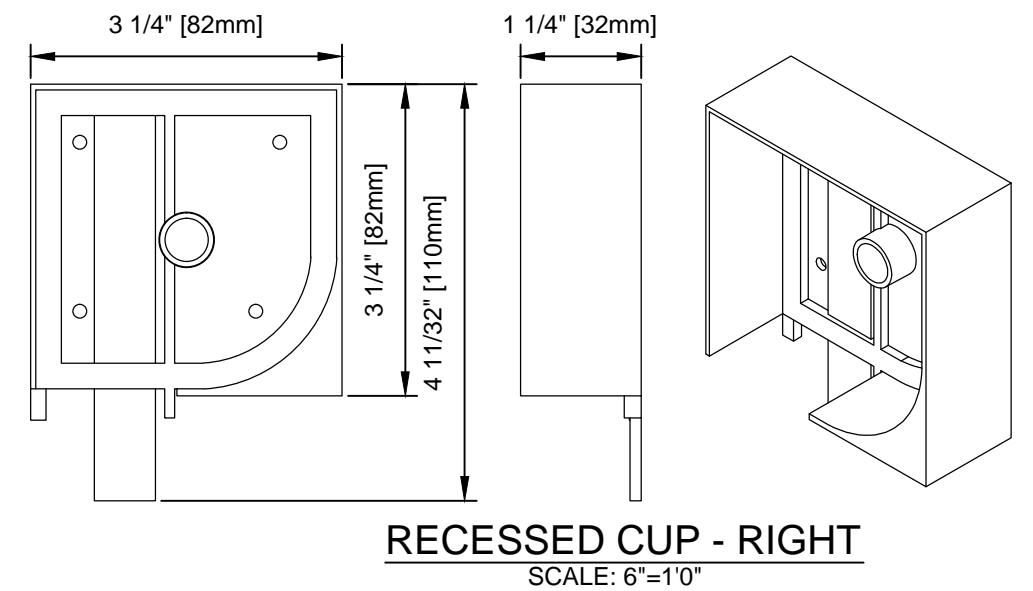
RECESSED CUP - LEFT
SCALE: 6"=1'0"



RECESSED CHANNEL
SCALE: 6"=1'0"



TRACK IN RECESSED CHANNEL
SCALE: 6"=1'0"



RECESSED CUP - RIGHT
SCALE: 6"=1'0"



WIZARD INDUSTRIES INC.
4263 PHILLIPS AVENUE
BURNABY, BC
V5A 2X4

**VISTA VIEW - 80mm
COMPONENT VIEW**

SCALE:
AS SHOWN
DATE:
MAR. 28 2016
DWG:
RTS-005