

Conowingo Models



PAINTER GENERAL STORE



www.conowingomodels.com
<https://www.facebook.com/ConowingoModels/>
railrunner130@hotmail.com

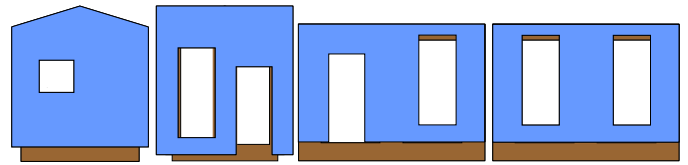
Thank you for purchasing this kit!

This kit was designed to be a version of a small building I saw while passing through Painter, VA. I didn't get the opportunity to see if the building was occupied and/or what it was used for. This is based on poor photos I've found on the internet. If I do get more info on it, I'll be sure to update the kit appropriately.

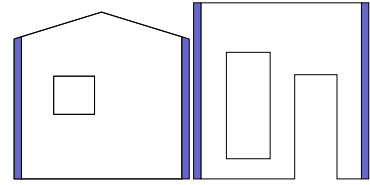
Supplied are the basic directions. For more tips and some additional instructions, please see conowingomodels.com

BUILDING

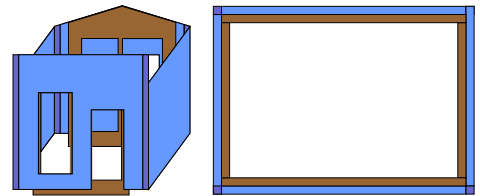
1. Paint – All parts as required.
2. This kit is self-bracing. There are pieces on the basswood sheet that form the foundation and support the walls. Be sure to brace the side walls so that the basswood matches the clapboard on the top and sticks out on the bottom. The rear pieces match on top and are centered. The front piece of basswood touches the top of the clapboard and is centered on the clapboard with the bottom notches clearly visible. (Blue clapboard, brown basswood)



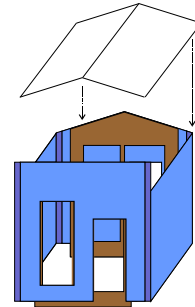
3. Stripwood – Cut and glue corner pieces (shown in purple). Trim as shown when dry.



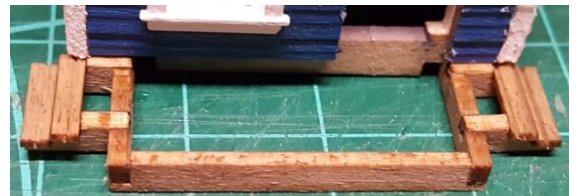
4. Now is a great time to add the window blinds and curtains as desired. The windows and doors can be added as well.
5. Assemble



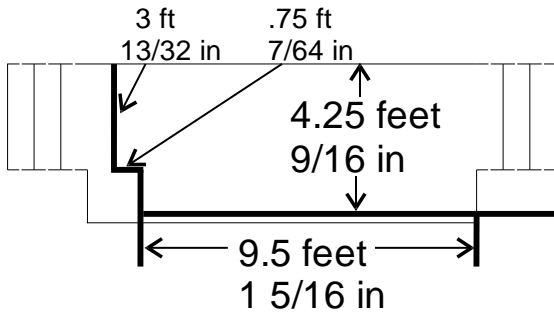
6. Shingle roof pieces except roof cap
7. Apply roof and roof cap



8. Add porch base frame. The side pieces interlock with the foundation and forward most piece. Add steps as well.



9. The deck itself came out too big. My apologies for this. It's fixed for the next cutting. The wide part on the left is the same size as a step. Once cut, it can be glued in place. See next page for sizes.



10. Cut the porch roof to the same 9.5 scale feet or 1 5/16 inches.
11. Cut the porch posts to their desired height. I used 7 scale feet or 31/32 inches.
12. Cut the porch railing to fit between the porch posts as desired. Mine was 8.5 scale feet or 1 11/64 inches.
13. I'd recommend gluing the posts and railing together before installing. While you're at it, cut and install the 332 wide stripwood to fit on top.
14. Add the two triangular pieces on either side of the under-side of the porch roof.
15. Once everything is dried, glue down the railing and posts, followed by the porch roof.
16. Add the signs as you desire.



Please share your photos on our Facebook page!
<https://www.facebook.com/ConowingoModels>

Once again, thank you for your purchase!

If there are any parts missing, please e-mail me what you need to complete the kit and I'll send it your way. Also suggestions for improvement are welcome.

Visit the Conowingo Models website www.conowingomodels.com for more exciting, funky buildings for your model railroad!

Many thanks to Jeff Grove, Steve Milley, Greg Cassidy and Mark Schreier for their support!

P.S. About a year after this kit was designed and put into production, we stopped at the real building to see what it was used for, etc. The following photos are from that trip.