



# Aerial Work Platforms

Genie® Runabout™

201-342-8020

www.berequipment.com

## Specifications

Models	GR-12		GR-15		GR-20	
Measurements	US	Metric	US	Metric	US	Metric
Working height*	17 ft 4 in	5.45 m	20 ft 8 in	6.47 m	25 ft 9 in	8.02 m
Platform Maximum Height (Indoor)	11 ft 4 in	3.5 m	14 ft 8 in	4.5 m	19 ft 9 in	6.0 m
Platform Restricted (Outdoor) Height	9 ft 1 in	2.8 m	11 ft 1 in	3.4 m	15 ft 6 in	4.7 m
<b>A</b> <b>B</b> Platform dimensions (length x width)						
Standard	35 x 29.5 in	.89 x .75 m	35 x 29.5 in	.89 x .75 m	35 x 29.5 in	.89 x .75 m
Standard with extension	55 x 29.5 in	1.4 x .75 m	55 x 29.5 in	1.4 x .75 m	55 x 29.5 in	1.4 x .75 m
<b>C</b> Height - stowed	5 ft 10 in	1.78 m	5 ft 10 in	1.78 m	6 ft 6 in	1.98 m
<b>D</b> Length - stowed	4 ft 5 in	1.35 m	4 ft 5 in	1.35 m	4 ft 5 in	1.35 m
<b>E</b> Width	2 ft 5.5 in	.75 m	2 ft 5.5 in	.75 m	2 ft 7.5 in	.80 m
<b>F</b> Ground clearance - center	2.5 in	6 cm	2.5 in	6 cm	2.5 in	6 cm

## Productivity

Lift capacity	500 lbs	227 kg	500 lbs	227 kg	350 lbs	159 kg
Lift capacity - extension deck	250 lbs	113 kg	250 lbs	113 kg	250 lbs	113 kg
Drive speed - stowed	2.5 mph	4.0 km/h	2.5 mph	4.0 km/h	2.5 mph	4.0 km/h
Drive speed - raised	0.5 mph	0.8 km/h	0.5 mph	0.8 km/h	0.5 mph	0.8 km/h
Gradeability**	30%		30%		30%	
Turning radius - inside	zero		zero		zero	
Turning radius - outside	4 ft 4 in	1.32 m	4 ft 4 in	1.32 m	4 ft 5 in	1.34 m
Raise / lower speed	20 / 18 sec	20 / 18 sec	21 / 19 sec	21 / 19 sec	24 / 21 sec	24 / 21 sec
Controls	24V DC proportional		24V DC proportional		24V DC proportional	
Tires - solid non-marking	10 x 3 x 8 in	25 x 8 x 20 cm	10 x 3 x 8 in	25 x 8 x 20 cm	10 x 3 x 8 in	25 x 8 x 20 cm
Tilt sensor activation	front to back 3° – side to side 1.5°		front to back 3° – side to side 1.5°		front to back 3° – side to side 1.5°	

## Power

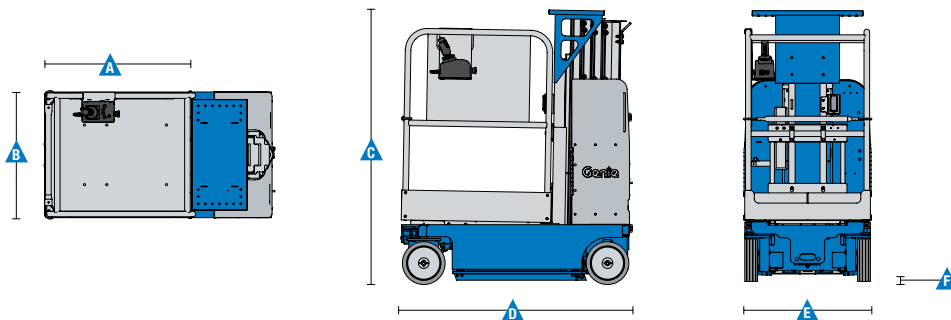
Power source	24V (four 6V 225 Ah batteries)		24V (four 6V 225 Ah batteries)		24V (four 6V 225 Ah batteries)	
Hydraulic system capacity	2.2 gal	8.33 L	2.2 gal	8.33 L	2.2 gal	8.33 L

## Weight\*\*\* / Floor Loading\*\*\*\*

Weight - ANSI/CSA	1,681 lbs	763 kg	2,178 lbs	988 kg	2,531 lbs	1,140 kg
Occupied floor pressure	200.87 psf	9.6 kPa	251.99 psf	12.1 kPa	250.39 psf	12.0 kPa

## Standards Compliance

ANSI A92.20, CSA B354.6, CE Compliance, AS 1418.10



\* The metric equivalent of working height adds 2 m to platform height. U.S. adds 6 ft to platform height.

\*\* Gradeability applies to driving on slopes. See operator's manual for details regarding slope rating.

\*\*\* Weight will vary depending on options and/or country standards.

\*\*\*\* Note: Floor loading information is approximate and does not incorporate different option configurations. It should be used only with adequate safety factors.

## Features

### Standard Features

#### Measurements

##### GR-12

- 17 ft 4 in (5.45 m) working height
- 11 ft 4 in (3.45 m) platform maximum height (indoor)
- 9 ft 1 in (2.8 m) platform restricted (outdoor) height
- Up to 500 lbs (227 kg) lift capacity

##### GR-15

- 20 ft 8 in (6.52 m) working height
- 14 ft 8 in (4.52 m) platform maximum height (indoor)
- 11 ft 1 in (3.4 m) platform restricted (outdoor) height
- Up to 500 lbs (227 kg) lift capacity

##### GR-20

- 25 ft 9 in (8.02 m) working height
- 19 ft 9 in (6.02 m) platform maximum height (indoor)
- 15 ft 6 in (4.7 m) platform restricted (outdoor) height
- Up to 350 lbs (159 kg) lift capacity

#### Productivity

- Standard platform with sliding midrail
- Auxiliary platform lowering
- Patented rigid mast system
- Compact base 29.5 x 53 in (.75 m x 1.35 m) (GR™-12, GR™-15 only)
- Ground clearance 2.5 inches (stowed)
- SmartLink™ dual zone control system
- Battery charge indicator
- On-board diagnostic system
- AC power to platform
- Descent and tilt alarm
- Zero inside turning radius
- Dual wheel brakes
- Hydraulic brake release
- Pothole protection

### Standard Features

#### Productivity (continued)

- Hinged rear ABS covers for easy access to all major electrical and hydraulic components
- Tie down attachment points
- Overhead crane attachment point
- Large forklift pockets access
- Non-marking solid tires
- Motion alarm
- Dual LED flashing beacons
- Proportional drive and lift
- Load sense
- Platform control guard
- Tech Pro Link connector

#### Power

- Automatic 19 amp battery charger

### Options & Accessories

#### Productivity

- 20 in (.51 m) extension platform with sliding midrail
- 20 in (.51 m) extension platform with gate
- Lift Guard™ Contact Alarm
- Platform control guard
- Fluorescent tube caddy\*\*
- Automotive horn
- EE Certification\*
- Biodegradable hydraulic oil
- Drive cutout while charging
- 10 ft retractable charging cord\*
- Lift Tools™ Work Tray

#### Power

- 24V (four 6V 225 Ah batteries)
- 800 watt, 24 V inverter (120-230V AC/50-60 Hz)
- AGM maintenance-free batteries



\* Not available with automotive horn or inverter  
\*\* Not available with EE certification

### Genie United States

6464 185th Ave. NE  
Redmond, WA 98052  
Telephone +1 (425) 881-1800  
Toll Free in USA/Canada +1 (800)-536-1800  
Fax +1 (425) 883-3475

### Distributed By: Boland Equipment Rentals

[www.berequipment.com](http://www.berequipment.com)  
201-342-8020

