

SR5719E

COMPACT ELECTRIC ROUGH TERRAIN TELEHANDLER



- Zero-emission electric compact rough terrain telehandler with lithium-ion batteries
- Full-time 4 wheel drive
- Fully enclosed cab
- Power assisted steering
- Proportional joystick
- Simple to operate & maintain



snorkel™

www.snorkellifts.com

COMPACT ELECTRIC ROUGH TERRAIN TELEHANDLER

SR5719E

CAPABILITIES SR5719E*

Max. lift capacity	5,732 lbs
Max. lift height (A)	19 ft
Max. forward reach	10 ft 4 in

DIMENSIONS

Overall width (B)	6 ft 2 in
Stowed height (C)	6 ft 4 in
Length to fork face (D)**	13 ft 9 in
Wheelbase	8 ft 3 in
Ground clearance	9 in

PERFORMANCE

Max. drive speed	7.5 mph
Raise/lower time	6.9/5 sec
Hydraulic flow (per minute)	21 gallons
Hydraulic pressure	3,336 psi
Hydraulic oil capacity	18.5 gallons
Outside turning radius	10 ft 8 in
Tires	12 x 16.5

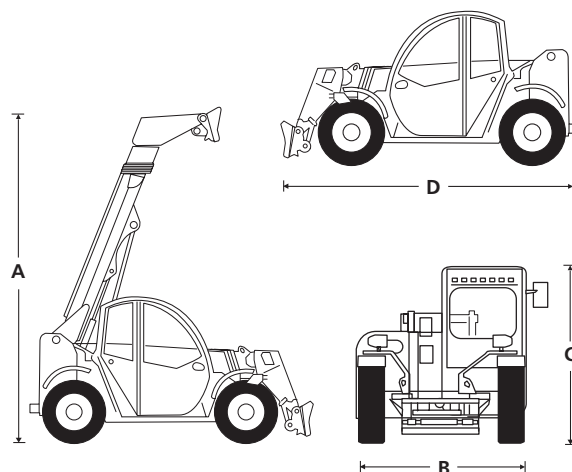
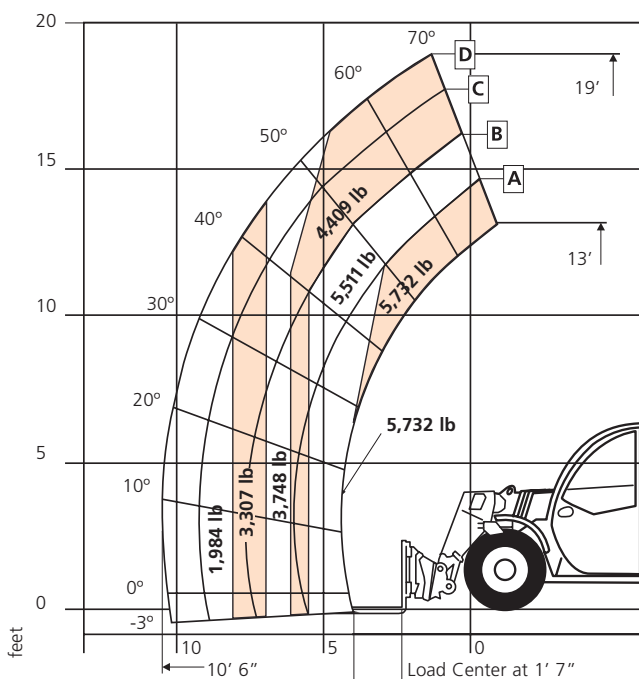
POWER

Power source	80V 400Ah batteries
Operating temperature	(-)4°F - (+)113°
Charger	on-board, single phase

WEIGHT

Weight	10,582 lbs
--------	------------

LOAD CHART



STANDARD FEATURES

- Lithium-ion batteries
- Full time 4 wheel drive
- 4 wheel steer
- Selectable front, crab & coordinated steering modes
- Auxiliary hydraulic circuit on the boom
- Variable speed hydrostatic drive
- Fully enclosed cab
- Proportional joystick
- Adjustable steering column
- Illuminated gauge and switch panels
- Color LCD display with machine & engine diagnostics
- Adjustable suspension seat
- Flashing beacon
- LED road lights (4)
- LED work lights on boom (2)
- Fixed 48" carriage
- 48" pallet forks
- 2000 charging cycles/2 year*** lithium battery warranty
- 2 year parts & labor, 5 year structural warranty
- ANSI compliant

OPTIONS

- Special paint colors
- Multiple options for carriages, tires and fork tines
- External three-phase fast charger

snorkel www.snorkellifts.com

P.O. Box 1160
St. Joseph, MO 64502-1160, USA
Tel: 1 (785) 989-3000
Toll-free: 1 (800) 255-0317
Fax: 1 (785) 989-3070
Email: sales.usa@snorkellifts.com