



GOODYEAR AIR SPRING IDENTIFICATION AND APPLICATION

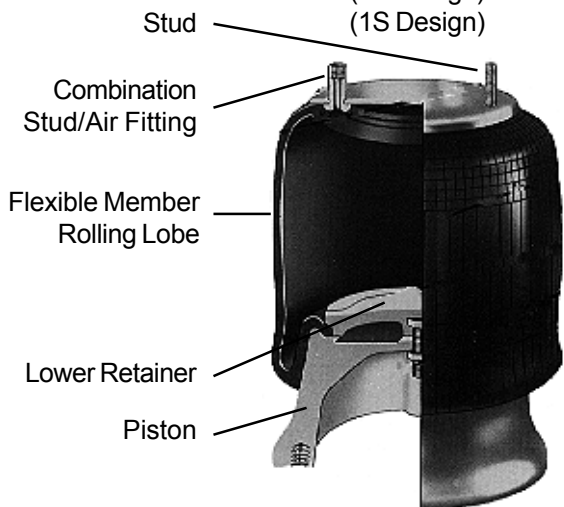


SUPER-CUSHION®

Air Springs For Trucks and Trailers

ROLLING LOBE AIR SPRING

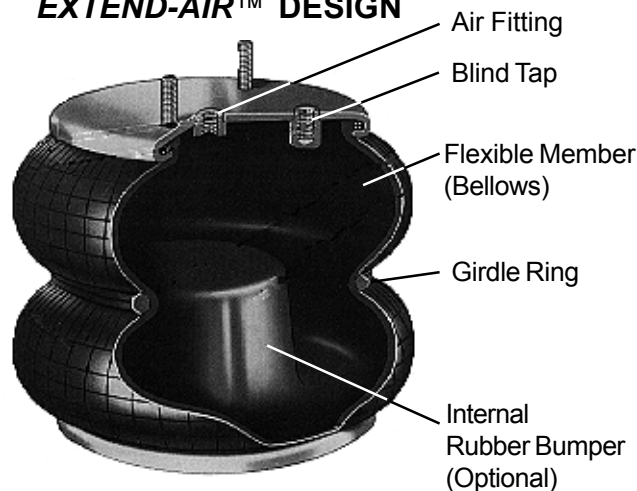
(1R Design)  
(1S Design)



DOUBLE CONVOLUTION AIR SPRING

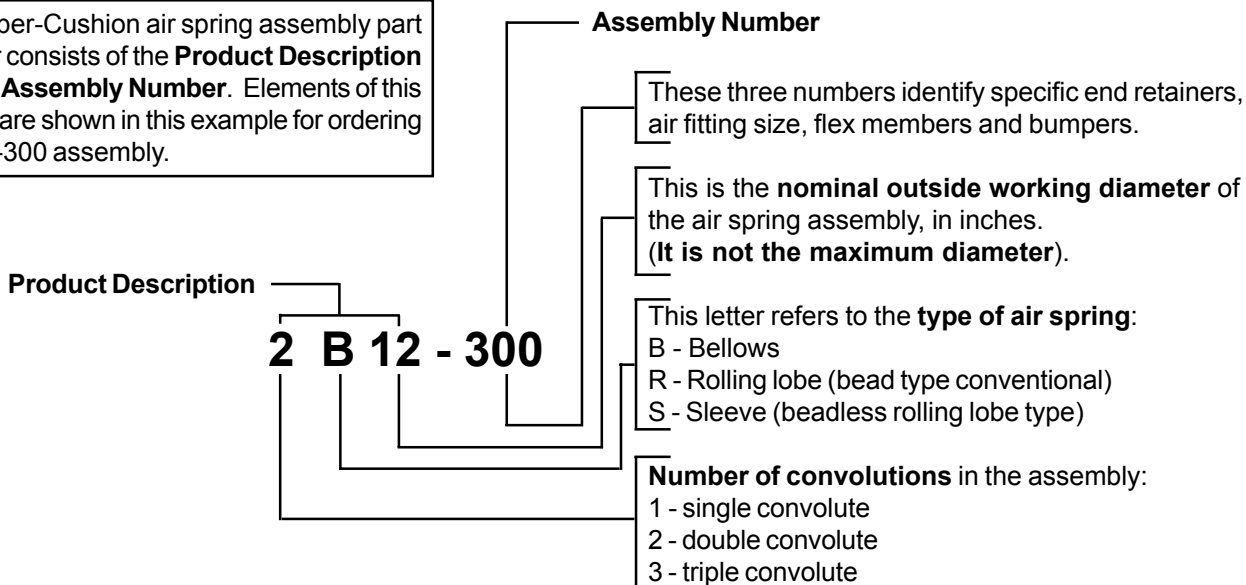
(2B Design)

EXTEND-AIR™ DESIGN



Unique Product Identification System

The Super-Cushion air spring assembly part number consists of the **Product Description** and the **Assembly Number**. Elements of this system are shown in this example for ordering a 2B12-300 assembly.





## GOODYEAR AIR SPRINGS



# GOODYEAR

Part No.	Application and Interchange Information
1R10-120	Firestone 9293, SAF Holland 90557120, Triangle 8424
1R10-122	RL-196 SAF Holland 90557122, 90557139, Triangle 8425
1R11-028	Firestone 9422, Kenworth K-303-6/14/15, Triangle 8314, W&C AS-0017
1R11-166	RL-196-15, RL-196-16, 90557121, Firestone 9295, Triangle 8417
1R11-221	Firestone 9622,9675, Kenworth K-303-22, K-303-28
1R11-222	Firestone 9625, Kenworth K303-25, Triangle 8538
1R11-242	Firestone 9616
1R12-066	Firestone 9083, Granning B59,1359,1528, Triangle 8333, W&C AS-0018
1R12-069	Firestone 9069, Triangle 8312, Watson & Chalin AS-0077, Peterbilt, Int.
1R12-090	Firestone 9213, Triangle 8407, International rear tandem axle only.
1R12-092	Firestone 9082, Granning 2727, Hend B-2066, Hutchens 9630-01 SAF Holland 90557006, 90557027, 90557037, 90557054, 90557075, Reyco 12882-01, Ridewell, 1003589082C, Triangle 8310, W&C AS-0011
1R12-095	Firestone 9039, Hend B-11650, B-2064, SAF Holland 90557011, 90557023, 90557085, Ridewell 1003589039C, Triangle 8311, Watson & Chalin AS-0012
1R12-103	Firestone 9101, Hend B-3842, SAF Holland 90044701, 90557008, 90557009, 90557082, Reyco 12883-01, Triangle 8315, W&C AS-0040
1R12-132	Firestone 9302,9105,9113,9303, Granning 5065, B-1245, Triangle 8319
1R12-142	Firesone 9394, Fruehauf UCE-9393-2
1R12-167	Firestone 9192, Navistar 1681738C1, 1681740C1.
1R12-182	Firestone 9219, Triangle 8408, Navistar, Volvo, GM
1R12-188	Firestone 9223, Hend 48195, Reyco 12884-01/A, Triangle 8409
1R12-195	Firestone 9349, Hend B-8988, Reyco 17636-01, Triangle 8438
1R12-256	Firestone 9367, Hend B-14249,B4375, Triangle 8505, W & C AS-0104
1R12-279	Firestone 9394, UCE -9393-2, Triangle 8383,
1R12-281	Firestone 9130, UCE-9393-1 / 3 / 4, Triangle 8321
1R12-303	Firestone 9780, 5779, Triangle 8382
1R12-363	SAF Holland 90557099, Firestone 9320, Triangle 8360, Silent Drive
1R12-365	Firestone 9466, Hend 49048, 49674, Triangle 8410
1R12-367	Firestone 9640, Hend C20223, Triangle 8427
1R12-375	Firestone 9265, Hend C20124, Triangle 8435
1R12-400	Firestone 9296, Triangle 8416, Volvo, GM
1R12-401	Firestone 9371, Navistar 1670043C1, Triangle 8521
1R12-403	Firestone 9373, Hend 57122-1, Triangle 8519
1R12-404	Firestone 9375, Hend 50899-1/2, Triangle 8451
1R12-424	Firestone 9287, Hend 50405, -1, -2, Triangle 8406



## GOODYEAR AIR SPRINGS



# GOODYEAR

Part No.	Application and Interchange Information
1R12-432	Navistar 3541731C1
1R12-438	Firestone 8805, Ridewell 1003588805C, Triangle 8462
1R12-441	Firestone 9362, SAF Holland 90557113, Triangle 8391, W & C AS-0049
1R12-467	Ridewell 1000001
1R12-481	Firestone 9923, SAF Holland 90557118, Triangle 8429
1R12-487	Firestone 9366, SAF Holland 90557160, 90557210, 90557225, Triangle 8488, Watson & Chalin AS-0054
1R12-498	Firestone 9922, SAF Holland 90557119, Triangle 8428
1R12-502	Firestone 9921, SAF Holland 90557117, Triangle 8443, W & C AS-0090
1R12-504	Firestone 9471, SAF Holland 90557146, 90557182, Triangle 8502
1R12-508	Firestone 8204, SAF Holland 90557173, 90557223, Triangle 8484
1R12-532	Firestone 9935, SAF Holland 90557157, Triangle 8548
1R12-538	Firestone 9648, Navistar 2027911C1/2/3, Triangle 8456
1R12-552	Firestone 9471, SAF Holland 90557212
1R12-567	Firestone 9026, Peterbilt 03-06213,03-07111, Triangle 8393
1R12-568	Firestone 8852, Peterbilt 03-07887, Triangle 8472
1R12-580	Firestone 9370, Watson & Chalin AS-0057
1R13-038	Firestone 9122, Hend C22173, S-3830, Reyco 12883-02, W & C AS-0023 SAF Holland 90557020, 90557071, 90557076, 90557077, 90557185
1R13-039	Firestone 9121, Hend B-3411, Reyco 12882-02, W & C AS-0013/0083 SAF Holland 90557019, 90557052, 90557078, 90557083, Triangle 8317
1R13-070	Mack, SAF Holland 90557070, Triangle 8444
1R13-097	Firestone 8752, Ridewell 1003588752C, Triangle 8518
1R13-109	Ridewell 1001R13109G
1R13-115	Firestone 9250, Ridewell 1003589250C, Triangle 8324, W & C AS-0096
1R13-118	Firestone 9262, 9580, Hend C20127, Triangle 8434
1R13-119	Firestone 9270, Hend C20010, C21208, C25559 Triangle 8433, AS-0084
1R13-152	Firestone 8748, SAF Holland 90557167, AR250-14/15
1R13-176	Firestone 8713, Hend C22948, Triangle 8533
1R14-028	Firestone 9177, 9179, Hend B2065, SAF Holl 90557003, Triangle 8316, 8366 Ridewell S-2573C, S-4695C, S-4797C, 1003589177C, W&C AS-0010
1R14-030	Firestone 9158, Hend B2063, SAF Holl 90557005, 90557069, Triangle 8318
1R14-039	FS 8050, Hend B-4771, Reyco 23631-01, Triangle 8320, W&C AS-0039
1R14-137	Firestone 9134, SAF Holl 90557125, Triangle 8431
1R14-174	Firestone 5503, SAF Holl 90557200, Triangle 8530, W & C AS-0047
2B10-226	Firestone 7795, Hend B14486, Triangle 4524



## GOODYEAR AIR SPRINGS



# GOODYEAR

Part No.	Application and Interchange Information
<b>2B12-300</b>	Firestone 7424, SAF Holl 90557014, Triangle 4327, Wats&Chal AS-0009
<b>2B12-305</b>	Firestone 7443, Ridewell S2683C, Triangle 4323, Wats&Chal AS-0027
<b>2B12-307</b>	Firestone 7403, Granning 2725, Hend B1159, B-2883, Triangle 4318, Ridewell S-4302C, Watson &Chalin AS-0007
<b>2B12-309</b>	Firestone 7400, Gran 2726, Hend C1013, SAF Holland 90557016 Triangle 4313, Watson & Chalin AS-0003
<b>2B12-406</b>	Firestone 7410, Navistar, Freightliner, Triangle 4331
<b>2B12-440</b>	Firestone 7555, Reyco 18813-01, 20018-01, Triangle 4480
<b>2B14-356</b>	Firestone 7136, Granning 1626, Hend B-1080, Triangle 4321, Ridewell 1003587136C, Watson & Chalin AS-0004
<b>2B14-359</b>	Firestone 7140, Granning 1015, Hend b-3184, Triangle 4316 W&C AS-0008
<b>2B14-360</b>	Firestone 7135, Hend B12514-014, SAF Holland 90557001, Ridewell S-1326-C, 1003587135C, Triangle 4311
<b>2B14-365</b>	Firestone 6801, Hend B-2734, Triangle 4451, Watson & Chalin AS-0021
<b>2B8-550</b>	Firestone 7325, Triangle 4509, Watson & chalin AS-0030, Mack
<b>2B9-200</b>	Firestone 6910, Granning 1371, Hend B8768, Triangle 4320, W/C AS-0001
<b>2B9-201</b>	Firestone 6902, 6935, Granning 4848, Hend B-2630, Triangle 4310, 4499 Watson & Chalin AS-0002
<b>2B9-206</b>	Firestone 6905, Hend B3518, B5270, Triangle 4315, Wats&Chal AS-0020
<b>2B9-210</b>	Firestone 6908, Triangle 4362, Watson & Chalin AS-0035
<b>2B9-218</b>	Firestone 6927, Reyco 12906-01 / 02, Triangle 4453
<b>2B9-229</b>	Firestone 6897, Triangle 4505, Watson & Chalin AS-0058
<b>2B9-250</b>	Firestone 6943, SAF Holland 90557237, Triangle 4426, W/C AS-0041
<b>2B9-266</b>	Firestone 6944, Triangle 4448, 4454, Histeer 10307
<b>3B12-300</b>	Firestone 8008, 8025, Hend B-11637, Triangle 4431, 4469, W&C AS-0019
<b>3B12-303</b>	Firestone 8018, Histeer 10303, Triangle 4434, Watson&Chalin AS-0075
<b>3B12-312</b>	Firestone 8033, Hend B-14487, Triangle 4508, 4525
<b>3B12-319</b>	Firestone 8032, Hend B-12405, Triangle 4413, Watson&Chalin AS-0048
<b>3B12-329</b>	Firestone 7995, Triangle 4547, Watson&Chalin AS-0048, AS-0048-1F
<b>3B14-356</b>	Firestone 7798, Granning 1613, Triangle 4329, 4436, Navistar, Watson&Chalin AS-0006
<b>3B14-359</b>	Firestone 7818, 7816, Granning 1014, 1476, Hend B6861, Ridewell S2685C Triangle 4325, 4437, Watson&Chalin AS-0025, AS-0033
<b>3B14-360</b>	Firestone 7800, Granning 4514, Ridewell S-1505C, Triangle 4333, 4439 Watson&Chalin AS-0025
<b>3B14-364</b>	Firestone 7843, Hend B-7100, Triangle 4455



## FIRESTONE AIR SPRING IDENTIFICATION AND APPLICATION



**Firestone**  
 World's Number 1  
 Air Spring.  
 FIRESTONE INDUSTRIAL PRODUCTS COMPANY

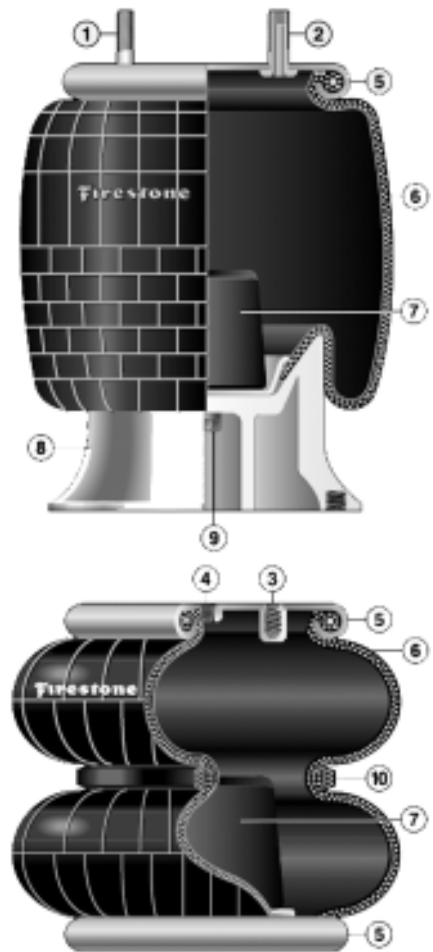
**AIRIDE**  
 SPRINGS

**Air Springs last at least twice, and as much as four times longer than steel springs!**

- They require little or no maintenance.
  - Increase life of tires and brake linings.
  - Let you haul anything; eliminate expensive deadheading runs.
  - Substantially reduce breakage and maintenance of other vehicle components.
  - Pay you back at trade-in time; trucks and trailers with air suspensions are worth more.
  - Allow perfect load equalization between axles; letting you run at the maximum legal limit.
  - Reduce driver discomfort and dangerous fatigue; improving driver safety, productivity and loyalty.
- Provide smoother ride for payload, reducing costly insurance claims and the expense of overpackaging.

### What Components make up a Firestone Air Spring?

- 1-Stud.** Manufactured as a permanent part of the bead plate assembly for maximum strength and durability. Used to attach the spring to the vehicle's suspension.
- 2-Combo Stud.** Serves the dual purpose of mounting the spring to the suspension and providing an entrance for air.
- 3-Blind Nut.** Also a permanent part of the bead plate assembly. Provides an alternative mounting system to the stud.
- 4-Air Fitting.** Usually 1/4 N.P.T. Provides an air entrance to the bellows.
- 5-Bead Plate.** Crimped onto the bellows at the factory for a more durable design and maximum quality control. Allows 100% leakproof testing prior to shipment.
- 6-Bellows.** The "air bag" includes four plies of material: an inner layer, two plies of cord-reinforced fabric, and an outer cover. Natural rubber construction provides functional properties to -65F.
- 7-Bumper.** A solid rubber or engineered plastic device designed to prevent significant damage to the vehicle or suspension in the event of a sudden loss of air pressure in the spring.
- 8-Piston.** Provides a lower mounting arrangement for the air spring. Controls the characteristics of the spring under changing pressure loads.
- 9-Piston Bolt.** Attaches the piston to the bellows. Sometimes extended as a means of attaching the spring to the vehicle suspension.
- 10-Girdle hoop.** A wire-wound ring molded into the bellows to provide lateral stability in convoluted type springs.





## FIRESTONE AIR SPRINGS



**Firestone**  
*World's Number 1*  
**Air Spring.**   
FIRESTONE INDUSTRIAL PRODUCTS COMPANY

**AIRIDE**  
SPRINGS

Part No.	Application and Interchange Information
<b>FS423</b>	Granning 5235, 5307
<b>FS6801</b>	EZ Ride 8030160, Hendrickson S2734, Ridewell 1003586801C, Watson AS-0021
<b>FS6897</b>	Watson & Chalin AS-0058
<b>FS6902</b>	Granning 4848, Hend S2630, Ridewell 1003586902C, Watson AS-0002
<b>FS6905</b>	Hend S3518 S5270, Ridewell 1003586905C, Watson & Chalin AS-0020
<b>FS6908</b>	Watson & Chalin AS-0035
<b>FS6944</b>	Histeer 10307
<b>FS7036</b>	Cab Air Spring - Peterbilt application 29-03200
<b>FS7135</b>	SAF Holland 90557001, Ridewell 1003587135C,
<b>FS7136</b>	Granning 1626, Hend S1080, Ridewell 1003587136C, Watson & Chalin AS-0004
<b>FS7140</b>	Granning 1015, Hend S3184, Ridewell 1003587140C, Watson & Chalin AS-0008
<b>FS7207</b>	Cab Air Spring - Freightliner application
<b>FS7403</b>	Granning 2725, Hend S1159, S2883, Ride 1003587403C, Watson&Chalin AS-0007
<b>FS7424</b>	SAF Holland 90557014 (AL41 & 45)
<b>FS7443</b>	Granning 1218, 7416, Ridewell 1003587443C, Watson & Chalin AS-0027
<b>FS7473</b>	Ridewell 1003587473C
<b>FS7555</b>	Reyco 20018-01 (86AR), SAF Holland Binkley XB-SPN-053-37
<b>FS7686</b>	Rowe Truck 0035, ASC2500, ASC1600
<b>FS7705</b>	Watson & Chalin AS-006, replaces 7503
<b>FS7795</b>	Hend S14486 (lift bag), Hendrickson Auxillary 003317-metric version.
<b>FS7798</b>	Granning 1613, Watson & Chalin AS-0006
<b>FS7818</b>	Granning 1014, Ridewell 1003587818C, Watson & Chalin AS-0025
<b>FS7956</b>	Rowe Truck 0059 ASC1500
<b>FS8018</b>	Histeer, Reyco 93AR, Watson & Chalin
<b>FS8033</b>	Hendrickson S14487 (Ride Bag) Hendrickson Auxillary 003316 (metric version)
<b>FS8050</b>	Hendrickson S4771, Reyco 23631-01, Watson AS-0039, 1T19J-6
<b>FS8709</b>	Hendrickson S22046 (HK230 susp) replaces 8756
<b>FS8713</b>	Hendrickson S22948 (Van Traax) -prior to 09/99 used 9525 piston w/bumper spacer
<b>FS8755</b>	Hendrickson S22045 (HK190T)
<b>FS8781</b>	SAF Holland 90557205
<b>FS8782</b>	Ridewell 1001R13109G
<b>FS8805</b>	Ridewell 10013588805C
<b>FS8829</b>	Volvo 3934699, 8079902
<b>FS8852</b>	Peterbilt 03-07887 (Low air leaf)
<b>FS8888</b>	Rowe Truck 0027, ASC2500
<b>FS8944</b>	Hendrickson S20217 (HT190U), replaces 9015
<b>FS9026</b>	Peterbilt 03-06213, Peterbilt 03-07111
<b>FS9039</b>	Hend S2064, S11650, SAF Holland 90557001, 90557023, 90557085, Hutchens H-9424-01, Ridewell 1013589039C, Watson & Chalin AS-0012
<b>FS9069</b>	Peterbilt 03-02456, 03-04759, 03-01649, 03-06746, 03-07112, 03-0238
<b>FS9082</b>	Hendrickson S2066, S11651, Hutchens H-9630-01, SAF Holland 90557006, 90557027, 90557037, 90557054, 90557075, Reyco 12882-01



## FIRESTONE AIR SPRINGS



**Firestone**  
*World's Number 1*  
**Air Spring.**   
FIRESTONE INDUSTRIAL PRODUCTS COMPANY

**AIRIDE**  
SPRINGS

Part No.	Application and Interchange Information
<b>FS9083</b>	Granning 1359, watson & Chalin AS-0028, Ridewell 1003589083C, Hend S1561
<b>FS9101</b>	SAF Holland 90557008, 90557009, 90557082, Ridewell 1003589101C, Reyco 12883-01
<b>FS9105</b>	Hend S1245, Granning 5065, Ridewell 1003589105C, Watson & Chalin AS-0015
<b>FS9122</b>	Hend S3467, S3830 SAF Holland 90557020, 90557071, 90557076, 90557077 Reyco 12883-02, Ridewell 1003589122C
<b>FS9158</b>	Hend S2063, SAF Holland 90557005, 90557069, Ridewell 1003589158C
<b>FS9192</b>	Hend S6195, SAF Holland 90557086, 90557108, Watson & Chalin AS-0038 /46
<b>FS9213</b>	Navistar 501559C-1, 501559C-2, 1660581C-1
<b>FS9219</b>	Volvo/GM 35003-3201, 35203-3203, 35003-3204, 35003-3209
<b>FS9265</b>	Hend S20124 (HT250T) C20413, HT-250U, HT-250U-Y
<b>FS9270</b>	Hend S20010 (HT230T)
<b>FS9287</b>	Hend 50405-1, 50405-2, Ford & Western Star HA-360/400/460 since '90
<b>FS9293</b>	SAF Holland 90557120 (RL196-14, RL196A-14)
<b>FS9295</b>	SAF Holland 90557127 (RL196-12)
<b>FS9320</b>	SAF Holland 90557099, Silent Drive
<b>FS9321</b>	Watson & Chalin AS-0036
<b>FS9362</b>	Watson & Chalin AS-0049, SAF Holland 90557113 (AR90-1-14 & 17), (AR75-6 & 9)
<b>FS9366</b>	SAF Holland 90557160, 90557210, 90557225, Watson & Chalin AS-0054
<b>FS9367</b>	Hend S14249, Hend Auxillary 003319 (metric)
<b>FS9370</b>	Watson & Chalin AS-0057
<b>FS9371</b>	Navistar 1670073C-1, 1686386C-1, 2027911C-1
<b>FS9373</b>	Hend 57122-2, Ford Class 8 HAS-360/400/402/460
<b>FS9375</b>	Hend 50899-1 & 2, Mack Class 8 57QL414M, Mack 3645Q27, 57QL414M
<b>FS9394</b>	Fruehauf UCD-9393-2, if bolt is removed this can replace UCE-9393-1
<b>FS9422</b>	Kenworth K303-6, K303-14, K303-15
<b>FS9466</b>	Hend 49048 for Ford, Hend 49674-1&2 for Mack, Mack 57QL411M
<b>FS9471</b>	SAF holland AD-123, AD-246-10, 90557146, 90557182, 90557212, 90557214
<b>FS9501</b>	SAF Holland 90557214 - comes without studs
<b>FS9580</b>	Hend S20127 (HT-250U9-006) (HT250UY 9Y-006)
<b>FS9616</b>	Kenworth Airglide 100, K-303-16
<b>FS9617</b>	Kenworth Airglide 200, K-303-22
<b>FS9640</b>	Hend S20223 (HT-190T, HS-190T)
<b>FS9663</b>	Hend 60271-2
<b>FS9780</b>	Freightliner 16-13810-000 (plastic), 681-320-0017 (alum) 16-1673-000 (steel)
<b>FS9781</b>	Freightliner 16-13840-000 (plastic), 681-320-0017 (alum) 16-1673-000 (steel)
<b>FS9807</b>	Firestone 1690/91/92, SAF Holland 90557363, 48100492/3/4
<b>FS9921</b>	SAF Holland 90557117 (AR92-12 & 14) (AR93-14) Watson & Chalin AS-0090
<b>FS9922</b>	SAF Holland 90557119 (AR92-17) (AR93-17)
<b>FS9935</b>	SAF Holland 90557157 (RL228-17) 90557301
<b>FS9936</b>	SAF Holland 90557156 (RL228-14/15/16) 90557300
<b>FS9974</b>	SAF Holland 90557332



## HENDRICKSON AIR SPRINGS

**AIR SPRINGS** are an integral part of the suspension, and need to be inspected regularly to ensure optimum vehicle ride quality and handling.

Replacing Hendrickson air springs with something other than the original can alter the performance of the suspension. To ensure high end user satisfaction and peak system performance, Hendrickson supplies the same genuine components for service requirements as were installed in the original suspensions — with the same design, construction, and performance.

### HENDRICKSON AIR SPRINGS

- Hendrickson air springs have piston and internal bump stop designs that are specifically engineered to maximize air volume for low natural frequency to optimize ride and performance.

- Hendrickson air spring bellows have all gone through a design and testing process that results in greater extended and collapsed performance.

Part No.	Applications
S22630/2	Mounting Kit-Vantraax, 1-1/8" spacer.
S22631/2	Mounting Kit-Vantraax, 1-7/8" spacer.
S22632/2	Mounting Kit-Vantraax, 3-1/8" spacer.
S22908/2	Mounting Kit-HK190 3/4" spacer.



Part No.	Applications and Interchanges
S20010	HT230,HS230, Firestone 9270
S20124	HT250T,HS250U, Firestone 9265
S20127	HT250US, F/S9580, G/Y1R13-118
S20217	HT190U, F/S8944, G/Y 1R12-366
S20223	HS190T, HT190T, F/S9640
S21784	AA250,HKA250, F/S 8091
S21800	AA230,HKA180. F/S8709
S22045	HK190T, Firestone 8755
S22046	HK230, Firestone 8710
S22948	HKA180 Vantraax, Firestone 8713
S23114	UBL lift bag, Firestone 7897
S23720	AA230L, Firestone 9626
S25872	AA30K
S4771	HT300/HS300, Firestone 8050

## SAF-HOLLAND AIR SPRINGS

Part No.	Applications and Interchange Info
90557112	AR90-14
90557121	Firestone 9295, Goodyear 1R11-166
90557123	ARDAB-120/240-5
90557129	Goodyear 1R12-435, 1R12-095
90557156	RL228-14/16
90557157	RL228-17
90557167	RL250-14/15
90557168	RL250-12/16/17
90557203	CBL Lift Kits
90557213	Firestone 9472, 8467, Goodyear 1R15-553
90557214	Firestone 9471
90557223	Wabash WW190, Fire 8204, GY 1R12-508
90557225	NS190, Firestone 9366
48100493	CB400-16.5, Firestone 8882
48100494	CB400-17, Firestone 8882



### AIR SUSPENSION MAINTENANCE VEHICLE CHECKLIST

- Check air lines and fittings for leaks: rubbing.
- Check for proper clearance around air spring when inflated. Generally, a minimum of 1-1/2" will allow for the increased diameter which occurs in heavy jounce.
- Periodically, check suspension for proper ride height. This dimension should be maintained +/- 1/4" to protect shocks and springs from over-extension or bottoming.
- When doing routine vehicle maintenance, block up the suspension and check for irregular wear or material build-up on the flexmember.
- Check shock absorbers for any signs of leaking hydraulic fluid, broken end connections, worn bushings or cylinder over extension.
- Check height control valve to see that it is functioning.





## MONROE SHOCK ABSORBERS

### GAS MAGNUM-60



#### Construction Features

1. Unique Seal
2. Nitrogen Gas Charge
3. 2-Inch or 2<sup>3/8</sup>-Inch Reserve Tube\*\*
4. 1<sup>3/8</sup>-Inch Bore\*
5. 5/8-Inch Diameter Piston Rod
6. Unique Hydraulic Rebound Lockout\*\*
7. Nylon-Banded Piston\*
8. 10-Stage Full Displaced Valving\*

\* on most applications

\*\* when required

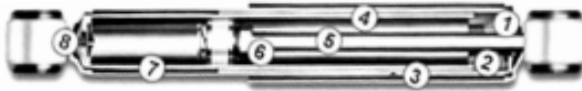


### Gas-Magnum 60 Shock Absorbers

*Gas-Charged shock for class 3 to 8 vehicles*

- Made for medium and heavy trucks and tractors.
- Gas-charged for quicker response and a more comfortable ride.
- Replacing worn-out shocks with Gas-Magnum 60 shocks can help reduce excessive vibration. Resulting in better tire life, less downtime and a lower cost per mile.

### GAS MAGNUM-65



#### Construction Features

1. Single Lip, Low-Friction Oil Seal
2. Sintered Iron Rod Guide with Teflon® Bushing
3. Nitrogen Gas Charge
4. Large 1<sup>3/4</sup>-Inch Piston Bore
5. 18mm Diameter Super Finished Heavy Chrome Piston Rod
6. Unique Hydraulic Rebound Lockout\*\*
7. Heavy Wall Drawn Over Mandrel Pressure Tube
8. Arc Welded Mounts with Solid Loops & Bonded Bushings\*



### Gas-Magnum 65 Shock Absorbers

*Gas-Charged shock for air spring and taper leaf suspensions*

- Designed for air spring and taper leaf suspensions.
- Nitrogen Gas-charged for a quicker response in a heavy duty truck suspensions.
- The gas charge and large piston bore provide the consistent control and efficiency that's necessary for demanding truck suspensions.

\* on most applications \*\*when required

### MONRO-MAGNUM 70



#### Construction Features

1. Multi-Lip Fluid Seal
2. Hardened 7/8-Inch Diameter Piston Rod
3. Large 1<sup>3/4</sup>-Bore for Ride Control
4. Unique Hydraulic Rebound Lockout\*\*
5. Nylon Piston Band Prevents Leakage Past Piston
6. Hydraulic Fluid Tested to Perform in all Weather Conditions
7. Heavy Wall Pressure Tube
8. Resistance & Arc Welded Mounts



### Monro-Magnum 70 Shock Absorbers

*Hard Working Shocks for Most Any Application*

- Provide a firm controlled ride for greater stability and comfort.
- Designed to fit most any medium to heavy duty truck, tractor, trailer or bus.
- Monro-Magnum shocks meet or exceed the requirements specified by OEM's

\* on most applications \*\* when required



## MONROE SHOCK ABSORBERS

### GAS MAGNUM-65



### GAS MAGNUM 65 SHOCK ABSORBERS

Part No.	Description	Application Info	Part No.	Description	Application Info
65101M	Gas Magnum 65	Peterbilt	65410M	Gas Magnum 65	Fruehauf/Holland
65102M	Gas Magnum 65	Ford/Kenworth	65411M	Gas Magnum 65	Hend/Ford/KW/Pete
65103M	Gas Magnum 65	Ford/Mack/IHC	65412M	Gas Magnum 65	Hend/Western Star
65105M	Gas Magnum 65	Volvo/White	65415M	Gas Magnum 65	Autocar/Volvo
65106M	Gas Magnum 65	Navistar/Thomas	65416M	Gas Magnum 65	East/Hendrickson
65107M	Gas Magnum 65	Navistar/IHC	65418M	Gas Magnum 65	Neway
65109M	Gas Magnum 65	Navistar/IHC	65419M	Gas Magnum 65	Hend/Holl/Utility
65110M	Gas Magnum 65	Mack/PAI	65420M	Gas Magnum 65	Bluebird/Ford
65113M	Gas Magnum 65	Peterbilt	65421M	Gas Magnum 65	Fruehauf/Holland
65123M	Gas Magnum 65	Ford	65429M	Gas Magnum 65	Ford/Sterling
65130M	Gas Magnum 65	Volvo/White/GMC/Mk	65431M	Gas Magnum 65	KW/Mack/Holland
65133M	Gas Magnum 65	Navistar/IHC	65434M	Gas Magnum 65	Peterbilt
65139M	Gas Magnum 65	Freightliner	65435M	Gas Magnum 65	Freightliner
65140M	Gas Magnum 65	Freightliner	65436M	Gas Magnum 65	Kenworth
65143M	Gas Magnum 65	Navistar/IHC 4300	65444M	Gas Magnum 65	GMC/Navistar
65144M	Gas Magnum 65	Navistar/IHC 4300	65466M	Gas Magnum 65	Autocar/Volvo
65147M	Gas Magnum 65	Navistar/IHC	65479M	Gas Magnum 65	Hend/Ford/GMC
65148M	Gas Magnum 65	Freightliner	65480M	Gas Magnum 65	Hend/Ford/Mack/WS
65159M	Gas Magnum 65	Kenworth / Peterbilt	65482M	Gas Magnum 65	Fliner/Hend/Ford/WS
65400M	Gas Magnum 65	Peterbilt	65484M	Gas Magnum 65	Hend/Western Star
65401M	Gas Magnum 65	Peterbilt	65486M	Gas Magnum 65	Volvo/White/GMC/Mk
65402M	Gas Magnum 65	Peterbilt	65490M	Gas Magnum 65	Freightline/Sterling
65404M	Gas Magnum 65	Kenworth	65492M	Gas Magnum 65	Navistar/IHC
65405M	Gas Magnum 65	Peterbilt/Volvo	65493M	Gas Magnum 65	Ridewell
65406M	Gas Magnum 65	Autocar/Volvo	65494M	Gas Magnum 65	Volvo/White/GMC/Mk
65407M	Gas Magnum 65	Frieghtliner/Marmon	65495M	Gas Magnum 65	Kenworth/Peterbilt
65408M	Gas Magnum 65	Freightliner	65497M	Gas Magnum 65	Volvo/White/GMC/Mk
65409M	Gas Magnum 65	Navistar/IHC	65512M	Gas Magnum 65	Hendrickson

**Part No. 11866M** Description Two Piece Bushing.  
Fits a 1-3/4" O.D. Loop  
Fits over a 3/4" dia. pin



**Part No. 13480M** Description Two Piece Bushing.  
Fits a 2-7/16" O.D. Loop  
Fits over a 1" dia. pin





**SHOCK ABSORBERS**

**GAS MAGNUM-60**



<b>GAS MAGNUM 60 SHOCK ABSORBERS</b>					
Part No.	Description	Application Info	Part No.	Description	Application Info
66104M	Gas Magnum Cab	Freightliner/KW/Pete/Int	66656M	Gas Magnum 60	Hend / Mack
66118M	Gas Magnum Cab	Freightliner	66660M	Gas Magnum 60	Holland
66145M	Gas Magnum Cab	Peterbilt	66707M	Gas Magnum 60	Volvo/White/GMC/KW
66147M	Gas Magnum Cab	Freightliner	66710M	Gas Magnum 60	IHC/Holl/Western Star
66159M	Gas Magnum Cab	Kenworth	66833M	Gas Magnum 60	Fhauf/GreatDane/more
66189M	Gas Magnum Cab	Mack	66860M	Gas Magnum 60	Ford/Navistar/Int
66502M	Gas Magnum 60	Watson & Chalin	66861M	Gas Magnum 60	Ford/Navistar/Int
66605M	Gas Magnum 60	Chevy/GMC/IHC	66863M	Gas Magnum 60	Ford/Navistar/Int
66607M	Gas Magnum 60	Bluebird/Holland	66878M	Gas Magnum 60	GMC/KW/Mack/more
66608M	Gas Magnum 60	Holland 90044162	66884M	Gas Magnum 60	Mack/Many Trailer
66610M	Gas Magnum 60	Bluebird / Holland	66886M	Gas Magnum 60	GMC/KW/Mack/more
66613M	Gas Magnum 60	Freightliner / Sterling	66891M	Gas Magnum 60	Ford/Mack/more
66627M	Gas Magnum 60	Holland 90044868	66893M	Gas Magnum 60	Freightliner/Mack/more
66628M	Gas Magnum 60	GMC/Chevy	66894M	Gas Magnum 60	Hend/Ford/GMC/Mack
66633M	Gas Magnum Cab	Holland	66898M	Gas Magnum 60	Mack / Many Trailer
66634M	Gas Magnum 60	Holland 90044982	66923M	Gas Magnum 60	Navistar/IHC
66636M	Gas Magnum 60	Hend/Pete/GMC/more	66924M	Gas Magnum 60	Navistar/IHC
66638M	Gas Magnum 60	Hend/Ford/Mack/more	66957M	Gas Magnum 60	Fliner/Ford/Hend/more
66648M	Gas Magnum 60	Hend / Mack	66969M	Gas Magnum 60	Hend/Reyco/Mack

**MONRO-MAGNUM 70**



<b>MONRO-MAGNUM 70 SHOCK ABSORBERS</b>					
Part No.	Description	Application Info	Part No.	Description	Application Info
74006M	Monro-Magnum 70	Ford/GMC/Mack/more	74406M	Monro-Magnum 70	Pete/Int/More
74025M	Monro-Magnum 70	Hend/GMC/Volvo/more	74409M	Monro-Magnum 70	Kenworth / Peterbilt
74028M	Monro-Magnum 70	Freightliner/Ford/Mack/+	74417M	Monro-Magnum 70	Navistar/GMC
74405M	Monro-Magnum 70	Many Trailer applications	74425M	Monro-Magnum 70	Freightliner/Sterling



## HENDRICKSON SHOCK ABSORBERS

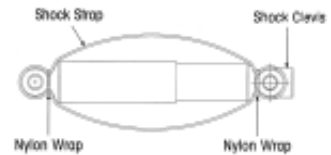


# HENDRICKSON

*For The Road Ahead*

### Hendrickson Shock Absorbers

- Hendrickson shock absorbers are designed and tuned for optimum ride with specific strokes, damping characteristics, seal designs, and bore diameters to enhance the performance of your suspension system. This contributes to increased steering control, improved braking, greater sensitivity, and better overall performance.
- A shock replaced with a non-genuine alternative, can have too long or too short of a stroke than the required by the suspension and can lead to expensive repairs. Too long of a stroke may allow over extension of the air springs or increasing fatigue on parabolic springs. Alternatively, too short of a stroke can damage mounting brackets.
- Genuine Hendrickson shock absorbers can easily be identified by the stamped Hendrickson name, logo, and part number on the dust shield or cylinder.



Part No.	Description - Class Suspension
<b>S20001</b>	Most 190's,
<b>S20002</b>	Most 230's & 250's
<b>S20126</b>	Most 300's
<b>S21292</b>	HK190T, HK230
<b>S2212</b>	HT190U-6.75, Most HT2507
<b>S23548</b>	HT250TUS
<b>S23566</b>	AA230T, AA250T
<b>S23649</b>	HT250
<b>S23650</b>	HT250US-5.5, HT250US-6.5
<b>S24023</b>	AA230T, AA250T
<b>S24088</b>	HKA180

### Shock Strap Kits

Part No.	Desc. - Class Suspension
<b>S14587-8</b>	Shock Strap Kit for shock S20126, HT300
<b>S20031/2</b>	Shock Bolt Kit - 1/2"
<b>S20069</b>	Shock Clevis
<b>S24021</b>	Shock Bolt Kit - HIK230
<b>S24024</b>	Shock Bolt Kit - HT250US
<b>C24041-1</b>	Shock Strap Kit - HICA2000, HIS230, HIS250

## SAF HOLLAND SHOCK ABSORBERS

Part No.	Description - Class Suspension
<b>90044089</b>	AR250-12/14/15/16/17
<b>90044162</b>	AR41, AR45, AR45-1
<b>90044625</b>	AR70-9, AR70-14, AR95-8
<b>90044626</b>	AR70-9, AR70-14, AR95-9
<b>90044642</b>	AR92-12/14/15/16
<b>90044978</b>	RL196-12/14/15/16
<b>90045040</b>	RL196A-12/14/15/16
<b>90045298</b>	CB2300
<b>90508004</b>	SHOCK BUSHING • For 3/4" pin.

**SAF Holland**  
Engineering Your Road to Success



**SAF Holland**  
ORIGINAL PARTS