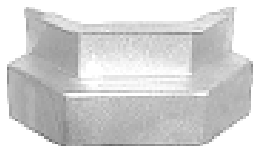




TRAILER BODY PARTS - CORNER CAPS, NOSE RAILS, RADIUS PANELS

Corner Caps

Part No. **1310355**
Miller Universal
 Replaces 900-01987



Part No. **1310356**
Monon RH
 Replaces V02-197R



Part No. **1310357**
Monon LH
 Replaces V02-198L



Part No. **1310363**
Wabash Universal
 Replaces WAB04300002



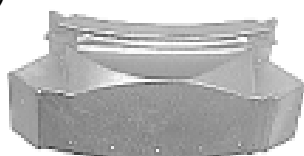
Part No. **1310364**
Pines Universal
 Replaces CC11100



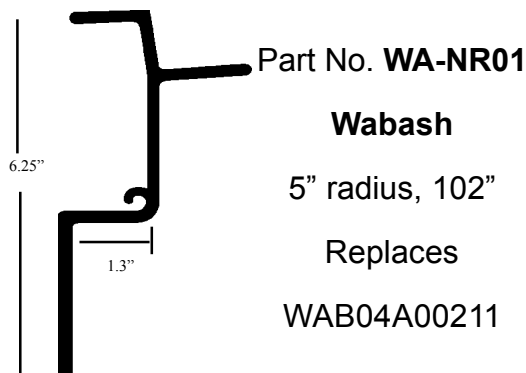
Part No. **1310365**
Stoughton Universal
 Replaces 04-09728/04-12835



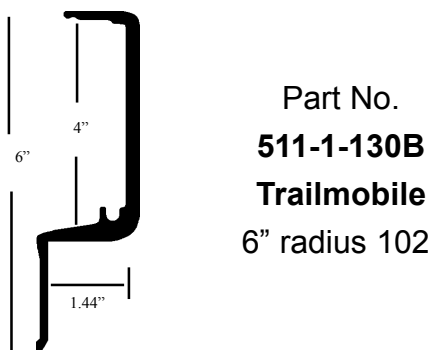
Part No. **1310366** (RH)
 Part No. **1310367** (LH)
Utility
 Replaces
 1-1550-10/1-1550-11



Nose Rails



Part No. **WA-NR01**
Wabash
 5" radius, 102"
 Replaces
 WAB04A00211



Part No.
511-1-130B
Trailmobile
 6" radius 102"

Corner Panels

Part No. **RP-883K-PPW**
(110" PPW) Aluminum
Trailmobile 6" radius



Part No. **GD-RP02**
(110"PPW) Aluminum
Great Dane 10" radius
 replaces 08670



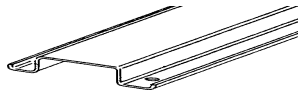
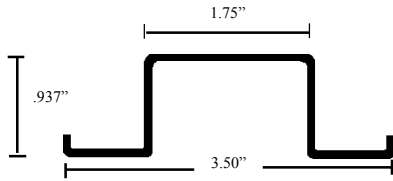
Part No. **FR-RP04**
(110"PPW) Aluminum
Fruehauf 10" radius





TRAILER BODY PARTS - ROOF BOWS

Roof Bows



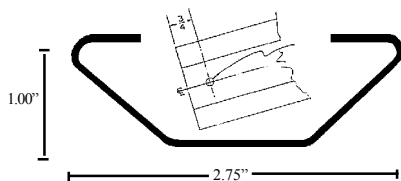
Part No.

1011035 (99")

Dorsey / Hyundai

Steel Bow

1208898099 / 900-00-2801

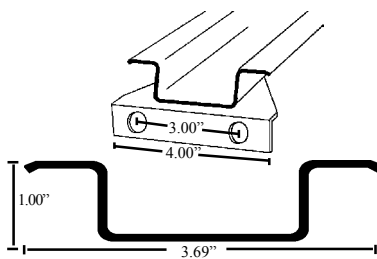


Part No. **1011039 (99")**

Wabash, Hyundai, Monon

(V01-107) Anti-Snag

Steel Bow



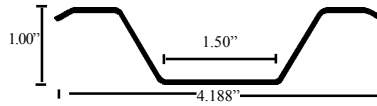
Part No.

SO-RB01 (98.75")

Stoughton

Steel Bow - 23-06636

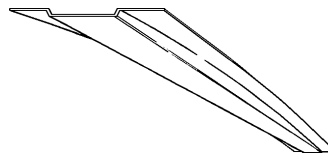
Roof Bows



Part No.

GD-RB03 (99.125")

Pines Steel Bow w/ 9/32" diameter punched hole at each end. Replaces RCB 2629



Part No.

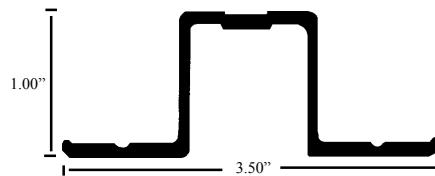
GD-RB02 (98.610")

Part No.

GD-RB01 (92.25")

Great Dane Formed Aluminum Bow

Replaces 14113 / 08581



Part No. **90-4-1801-0-100**

(Straight)

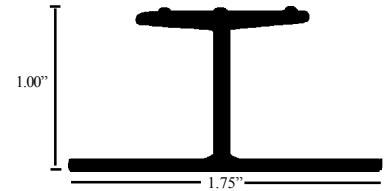
Trailmobile Bow (98.75")

Part No. **514-3-145A-2**

(Chambered)

Replaces 90-41098-04 / 514-3-139

Roof Bows



Part No. **FR-RB01**

Fruehauf I-Beam Bow (100.25")

Replaces RCC-8431-001

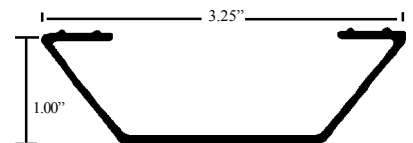
Part No. **FR-RB02**

Similar Bow!

98.875" with a 2" base

Replaces

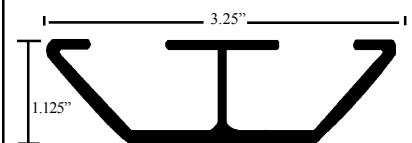
RCF-4048-001



Part No. **FR-RB03**

Fruehauf Anti-Snag Bow (98.50")

Replaces RCF-3718-001



Part No. **FR-RB04**

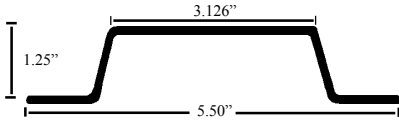
Fruehauf Anti-Snag Reinforced Bow (98.625")

Replaces RCF-4335-4

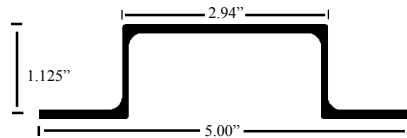


TRAILER BODY PARTS - SIDE POSTS AND DIVIDERS

Side Posts

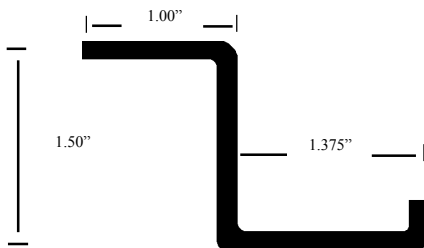


Part No.
FR-SP01 (110'')
Fruehauf
replaces STK020522



Part No.
X6120X110 (110'')
Great Dane
- Replaces 90262

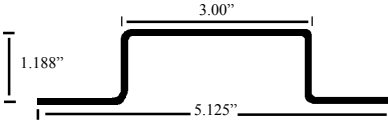
Aluminum, holes not punched



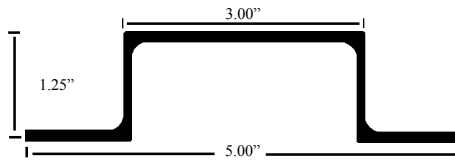
Part No.
X6136X110 (110'')
Great Dane,
replaces 70260

Aluminum, holes not punched

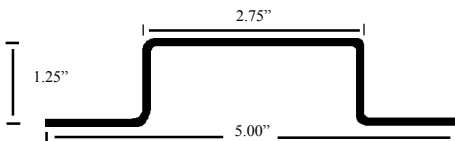
Side Posts



Part No.
DCS60011-HD (106.44'')
Hyundai Domestic Container
Heavy Duty, Aluminum

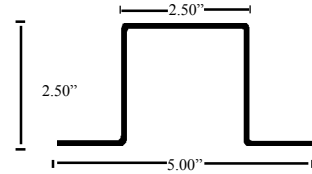


Part No.
90-4-483-0-114 (110'')
Trailmobile
replaces 90-4-483

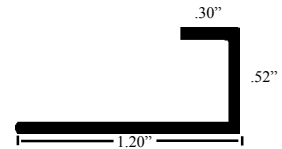


Part No.
1011037 (110'')
Various Applications
Steel, holes pre-punched
at 2" centers, galv. steel

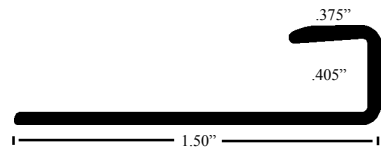
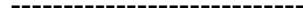
Dividers



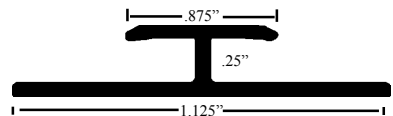
Part No. **1010174 (110'')**
Great Dane Nose Post,
replaces 09432
Steel, holes not punched



Part No. **X6138X120 (120'')**
Great Dane Aluminum strip,
replaces 70080



Part No. **X6148X120 (120'')**
Great Dane Aluminum strip,
replaces 91940



Part No. **X6152X108 (108'')**
Plywood Divider, aluminum

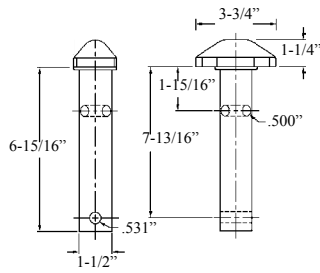


Part No. **X6316X112 (112'')**
FRP Vertical Alum. Splice
replaces 90-4-1666-0-112

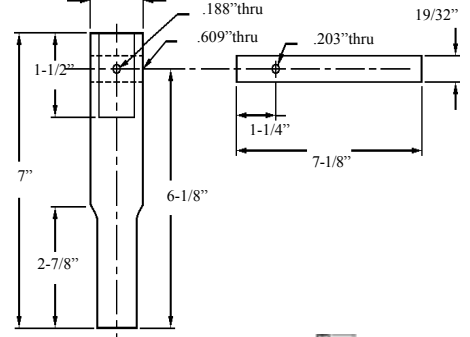


CONTAINER CHASSIS TWIST LOCKS AND PINS

Part No. **1310420**
Schulz
Penz 15-68

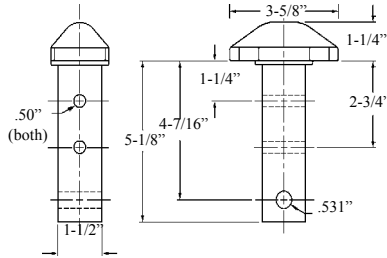


Part No. **1310507**
Penz 20-99-1

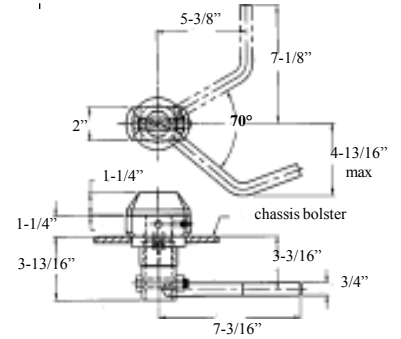


& Handle
Part No. **1310508**
Penz 20-99-2

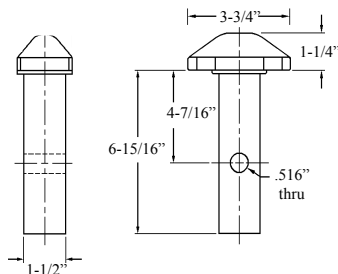
Part No. **1310421**
Penz 15-69



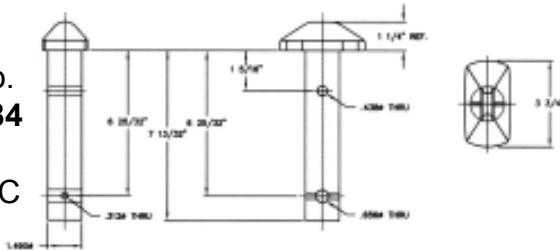
Part No. **1310540**
Assembly
RH 70° turn
Penz 90-35-R



Part No. **1310422**
Penz 15-77

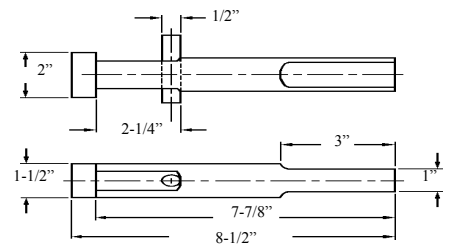


Part No. **1310484**
Penz 15-157C

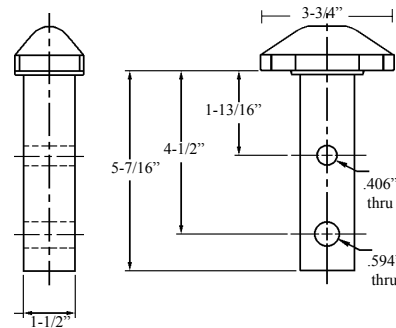


PINS

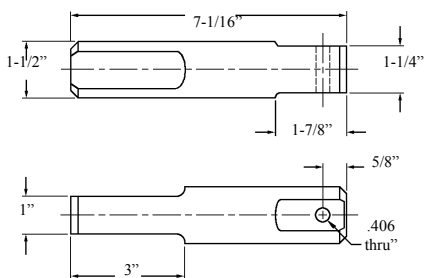
Part No. **1310429**
Penz 20-11



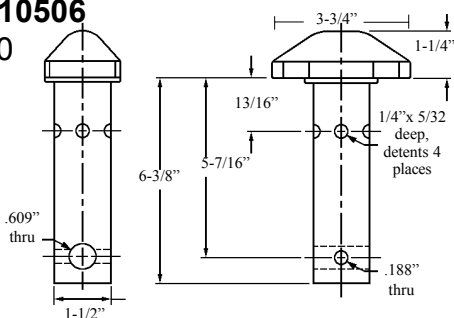
Part No. **1310505**
Penz 15-78



Part No. **1310462**
Penz 30-21



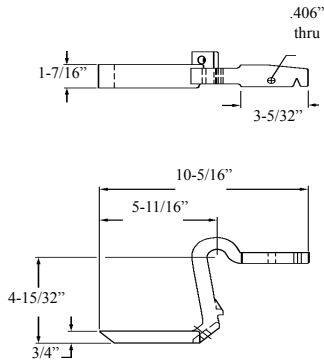
Part No. **1310506**
Penz 15-110



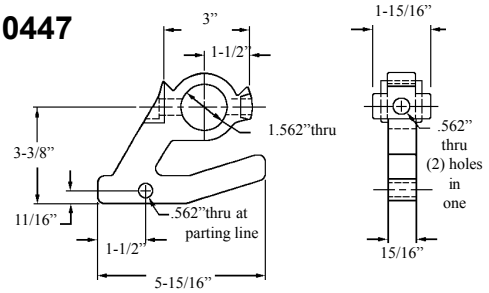


CONTAINER CHASSIS HANDLES

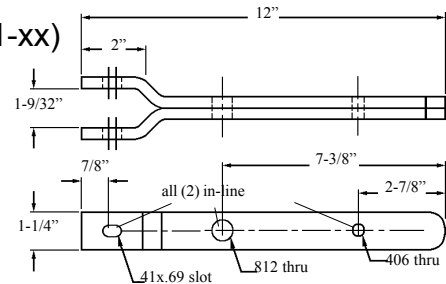
Part No.
1310424/1310425
Theurer RH/LH
 Penz
 20-01-LH
 20-01-RH



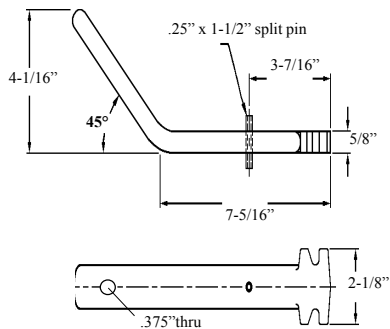
Part No. **1310447**
 Penz 20-55



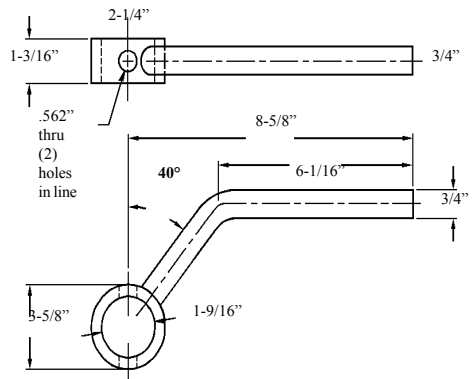
Part No. **1310448**
 Penz 20-56
 (used on 90-01-xx)



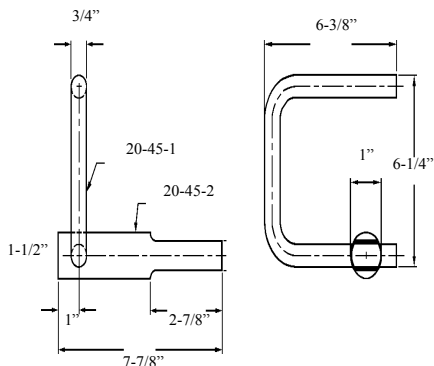
Part No.
1310431
Bertolini
 Penz 20-13



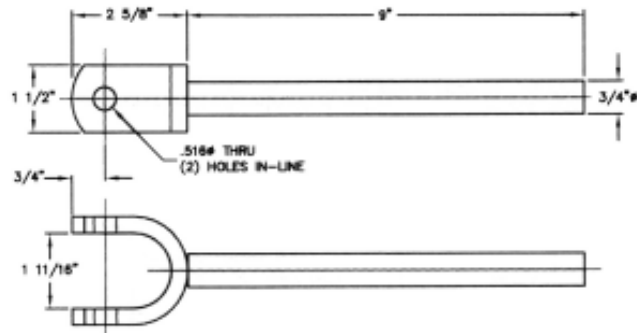
Part No. **1310449**
 Penz 20-57



Part No. **1310442** Penz 20-45-1 - **Handle**
 Part No. **1310443** Penz 20-45-2 - **Pin**



Part No. **1310451**
 Penz 20-60





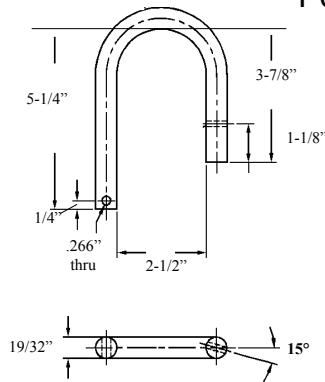
CONTAINER CHASSIS HANDLES & MISC PARTS

Part No. **1310469/1310470**

Monon LH/RH

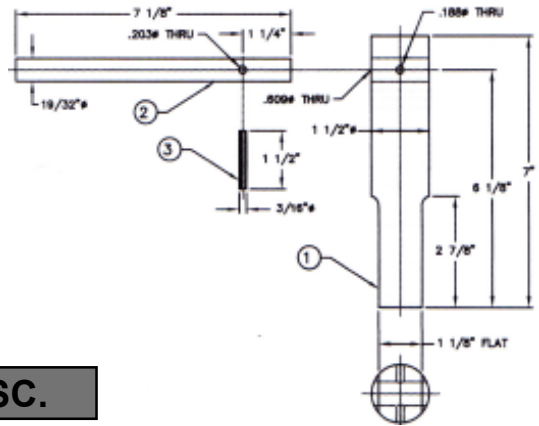
Penz 20-98-LH/20-98-RH

Left hand shown



Part No. **1310508**

Penz 20-99-2

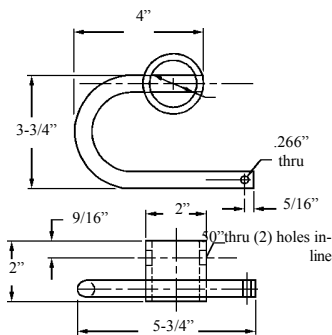


Part No. **1310471/1310472**

Monon LH/RH

Penz 20-113-LH/20-113-RH

Right hand shown



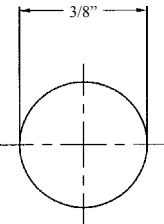
MISC.

Part No. **1310423**

Ball

Penz 16-01

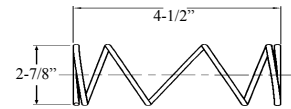
use 2 w/1310464 (50-20)



Part No. **1310463**

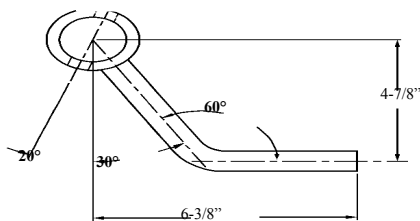
Spring

Penz 50-20



Part No. **1310475**

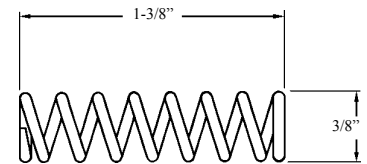
Penz 20-65



Part No. **1310464**

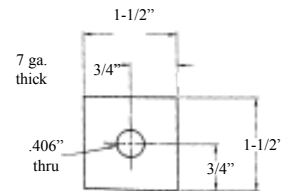
Spring

Penz 50-20



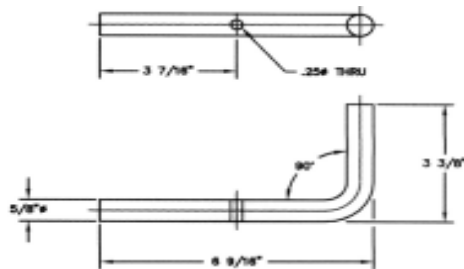
Part No. **1310476 clip**

Penz 25-02



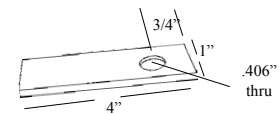
Part No. **1310483**

Penz 20-126



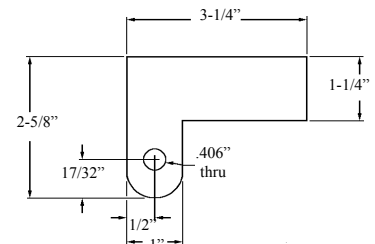
Part No. **1310477 hook**

Penz 25-03



Part No. **1310491**
Retaining Hook

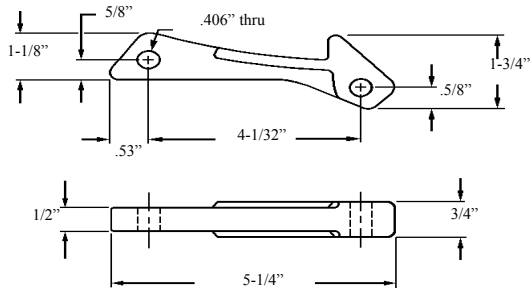
Penz 25-01



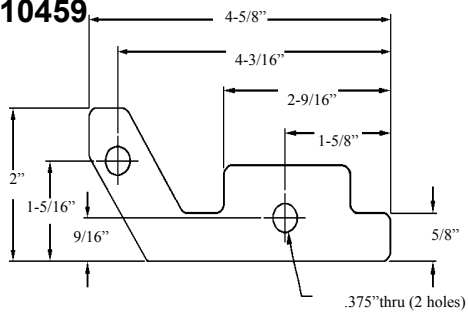


CONTAINER CHASSIS LATCHES

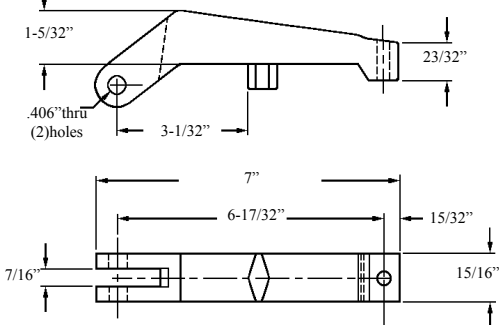
Part No. 1310457
Penz 25-06



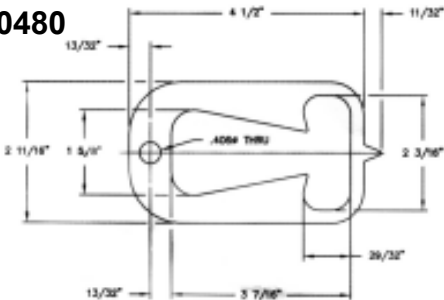
Part No. 1310459
Penz 25-11



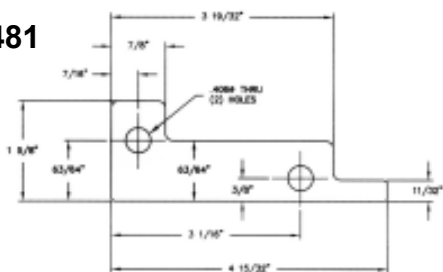
Part No. 1310479
Penz 25-05



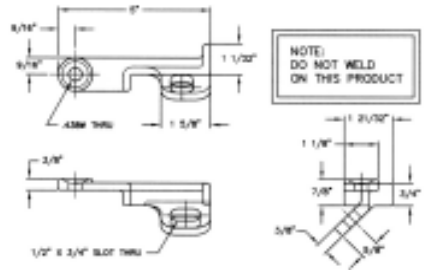
Part No. 1310480
Penz 25-35



Part No. 1310481
Penz 25-36

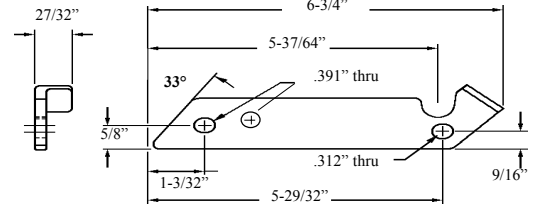


Part No. 1310486
Penz 25-20-RH

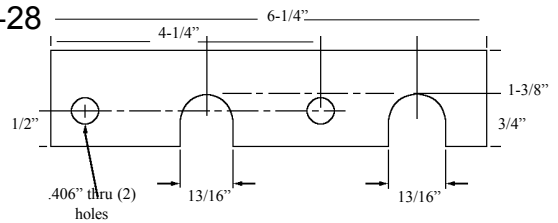


Part No. 1310487
Penz 25-20-LH

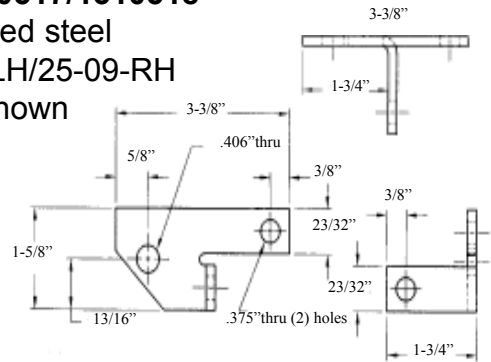
Part No. 1310509
Penz 25-21



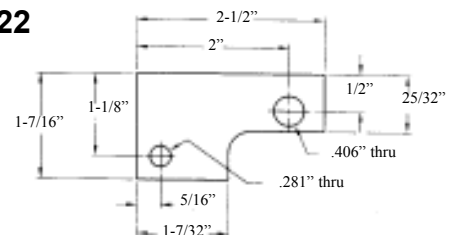
Part No. 1310510
Penz 25-28



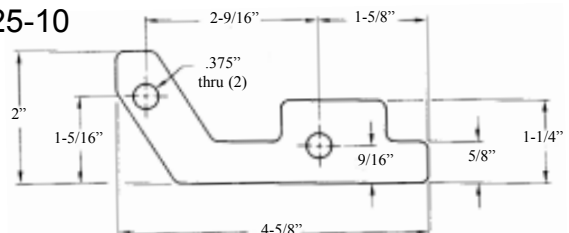
Part No. 1310517/1310518
7 gauge primed steel
Penz 25-09-LH/25-09-RH
Right hand shown



Part No. 1310522
Penz 25-16



Part No. 1310545
Penz 25-10

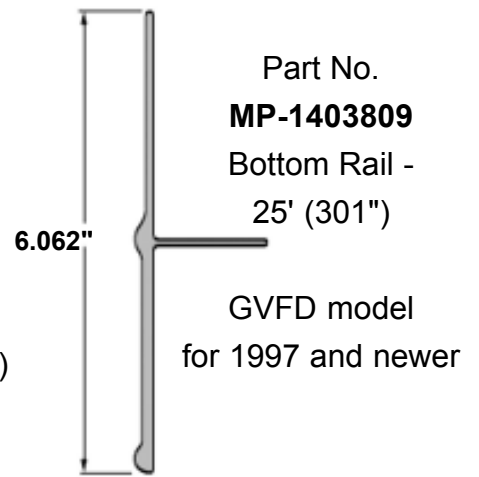
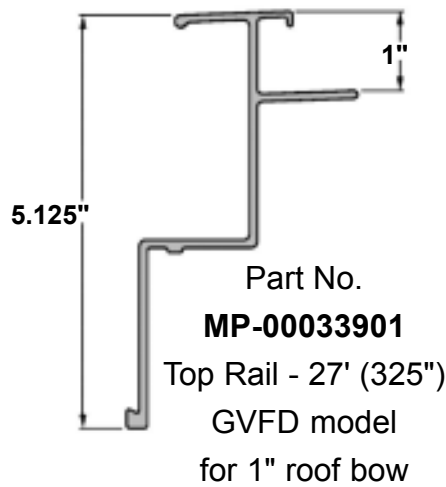
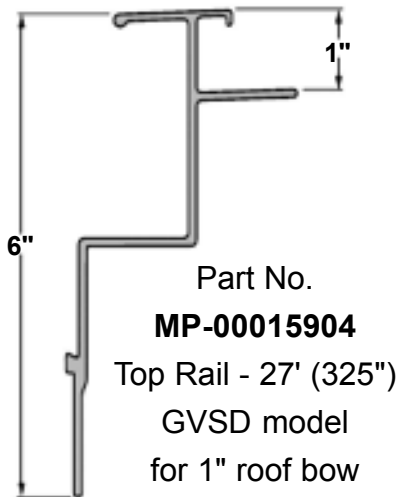
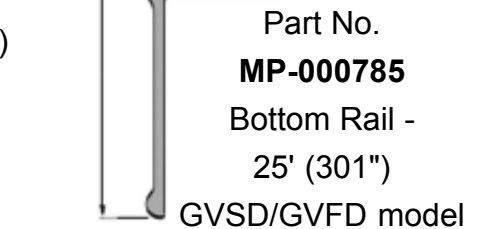
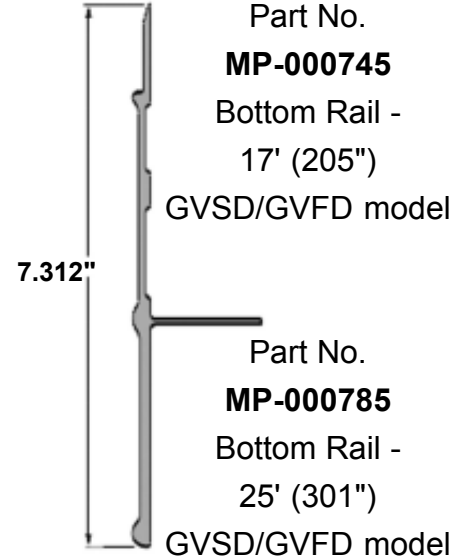
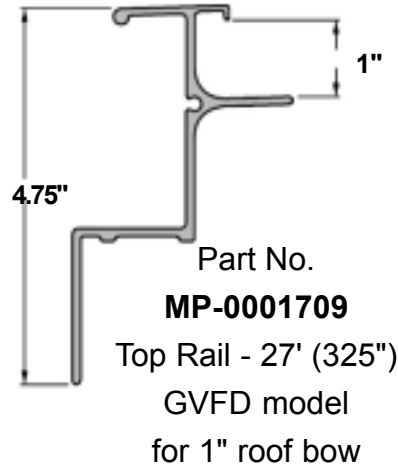
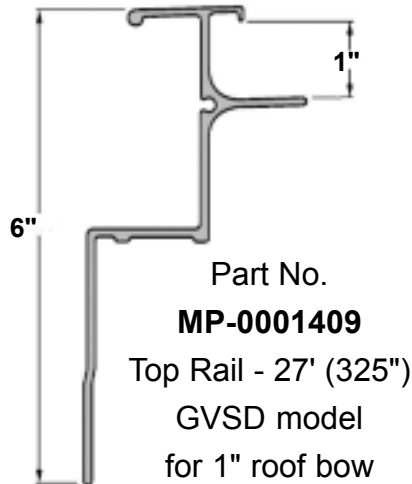




MORGAN BODY PARTS - TOP AND BOTTOM RAIL

TOP RAILS

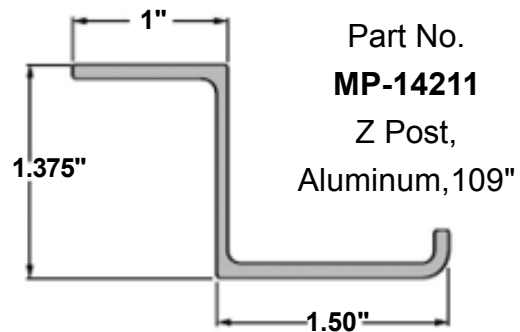
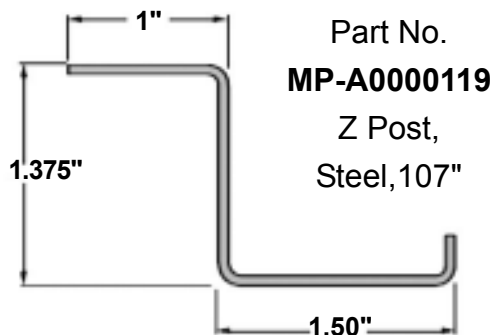
BOTTOM RAILS



MORGAN BODY PARTS - Z POSTS



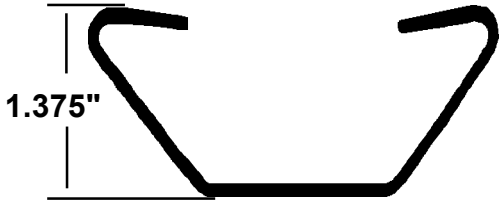
Z POSTS





MORGAN BODY PARTS - ROOF BOWS AND CORNER CAPS

ROOF BOWS



Part No.

MP-01901

Roof Bow,
Steel, 1-3/8" x 92"

Part No.

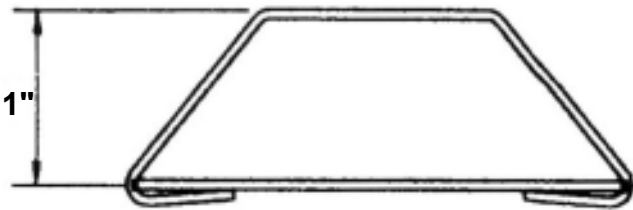
MP-01902

Roof Bow,
Steel, 1-3/8" x 98"

Part No.

MP-12407

Roof Bow - Front Starter
Steel, 1-3/8" x 98"



Part No.

MP-19033

Roof Bow, Single hole
Steel, 1" x 92"

Part No.

MP-190340

Roof Bow, Single hole
Steel, 1" x 98"

Part No.

MP-019083

Roof Bow - Front Starter
Steel, 1" x 92"

Part No.

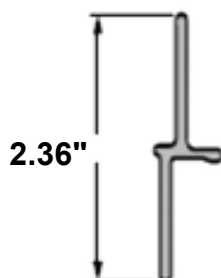
MP-0192404

Roof Bow - Front Starter
Steel, 1" x 98"

Part No.

MP-14142

Top Front Connector
87", GVSD Model



CORNER CAPS



Part No. **MP-62660**

Curbside Corner Cap
Poly Tuff
(Interchanges MP-006671
aluminum corner cap)

Part No. **MP-62661**

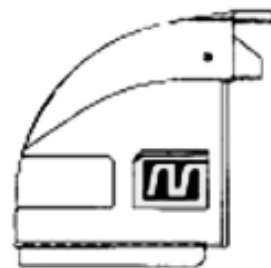
Roadside Corner Cap
Poly Tuff
(Interchanges MP-0066710
aluminum corner cap)

Part No. **MP-62664**

Curbside Corner Cap
Poly Tuff - NEW Style

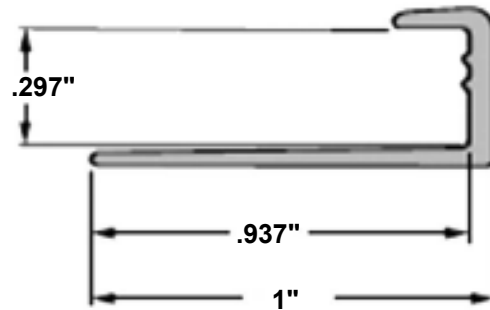
Part No. **MP-62665**

Roadside Corner Cap
Poly Tuff - NEW Style




MORGAN BODY PARTS - MISC BODY PARTS

Part No.
MP-0985067
 Spray Paint
 Penske Yellow



Part No. **MP-003951**
 J molding, aluminum, 96".

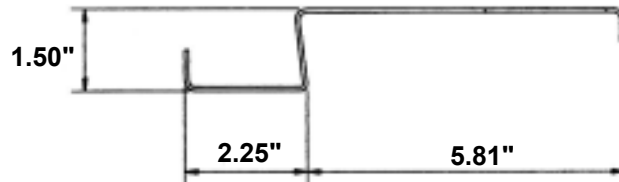
Part No.
MP-0069601
 Walkramp
 Handle


ALSO IN STOCK:

Part No.
MP-004141
 Swing Door Hinge,
 3-hole, aluminum
 (MP-HG01)

Part No.
MP-087226
 Swing Door Hinge Butt,
 (MP-HB02)

Part No. **MP-1121813**
 Lower header, Galvaneal GRD B
 R 14 gauge, 94".



Part No. **MP-1121823**
 Upper header, Galvaneal GRD B
 R 14 gauge, 102".

