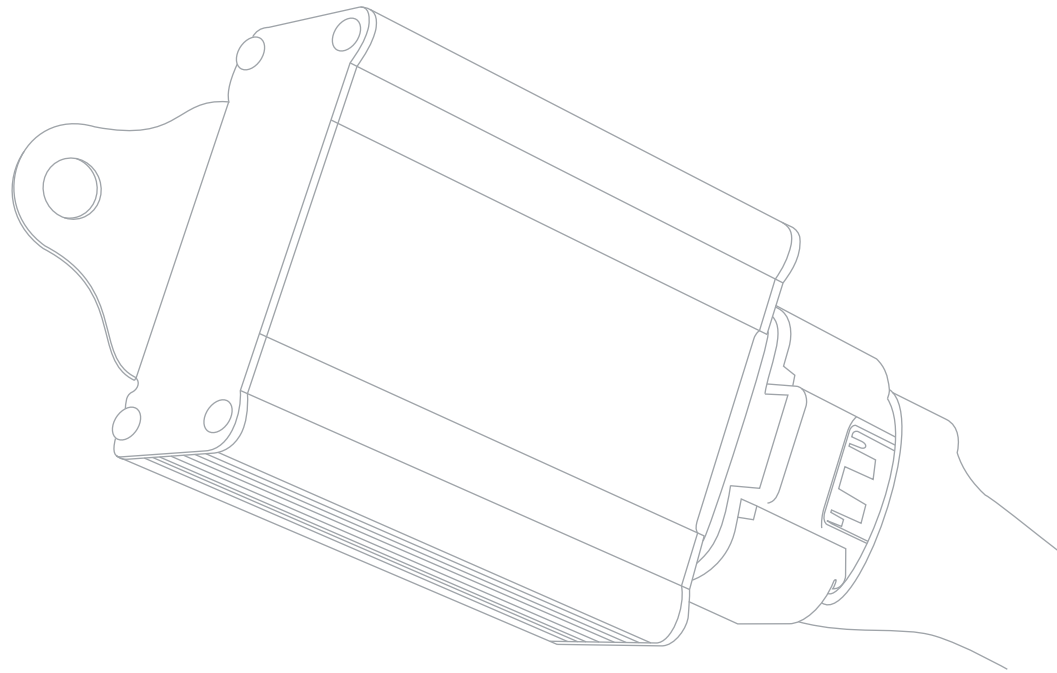




THE AUTOMOTIVE LIGHTING BENCHMARK



INSTALLATION GUIDE

MOPAR-SPEC BI-XENON ELITE HID SYSTEM



WARNING: By reading this document, I agree it is only to be used as an educational guide. Morimoto Lighting makes no guarantee on any finished results, nor are they to be held responsible for any damage, misuse, or personal injuries. Use at your own risk. If you are unable to clearly understand and adapt the information below to your own application, professional installation is recommended.

TABLE OF CONTENTS

SYSTEM DIAGRAMS

P.2

WITH H13 HARNESS

P.3

WITH 9007 HARNESS

P.4

HARNESS INSTALLATION

P.6

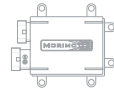
BULB INSTALLATION

P.6

BALLAST INSTALLATION

P.7

STANDARD PARTS



2x BALLAST COMPUTERS



2x AMP IGNITERS



2x BI-XENON BULBS

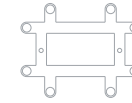


1x TEST LEAD



1x MOPAR-SPECIFIC BI-XENON HARNESS

OPTIONAL PARTS



2x CARBON FIBER BALLAST BRACKETS

SPECIAL NOTE



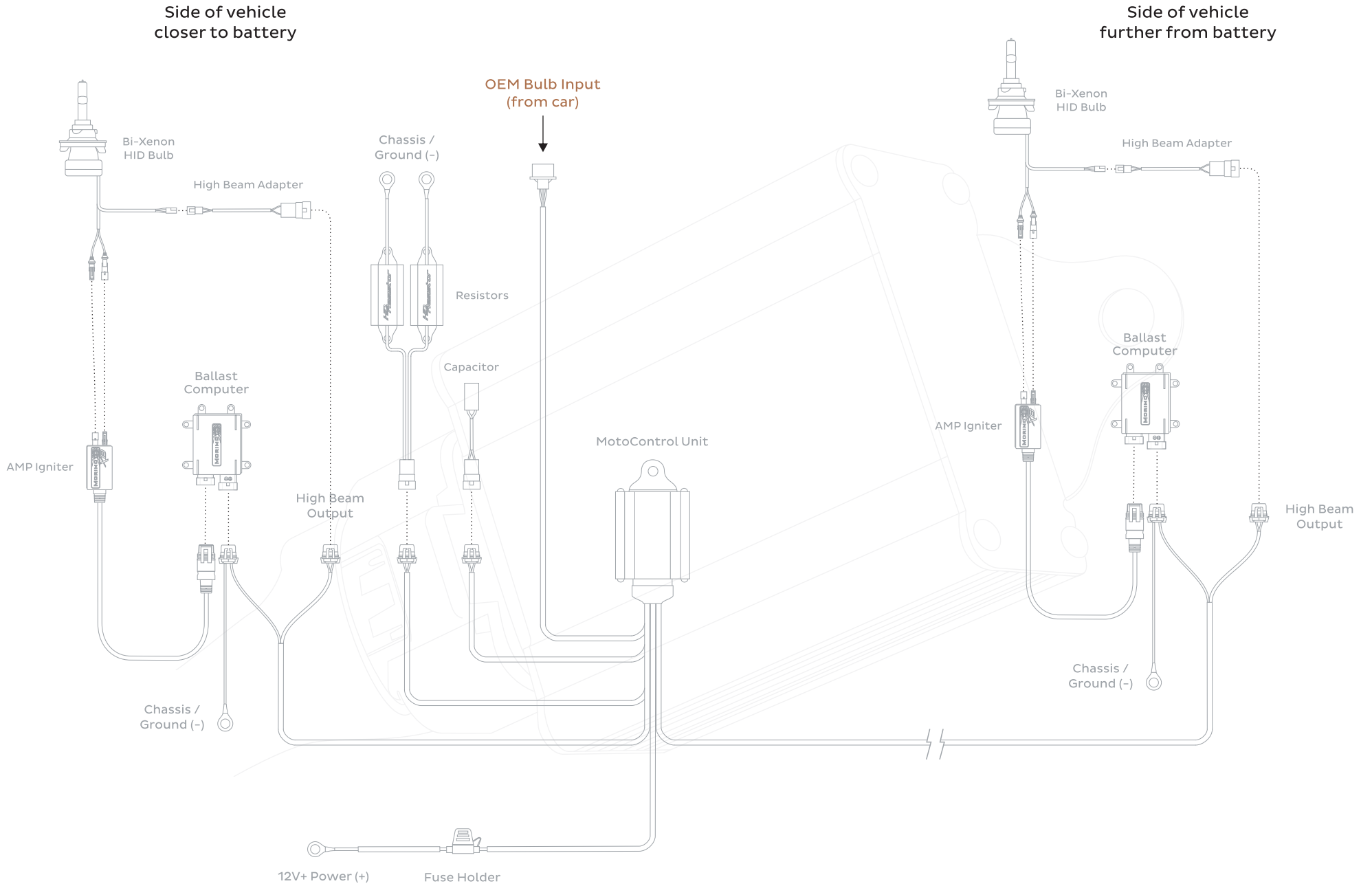
The Mopar-Specific harness is designed specifically to eliminate your vehicle's "bulb out" error. Due to the complexity of your vehicle's CANBUS bulb monitoring system, this is the most compatible harness available. If you have any persistent issues related to this system after installation, consult your Authorized Morimoto dealer for further support.

SYSTEM DIAGRAMS

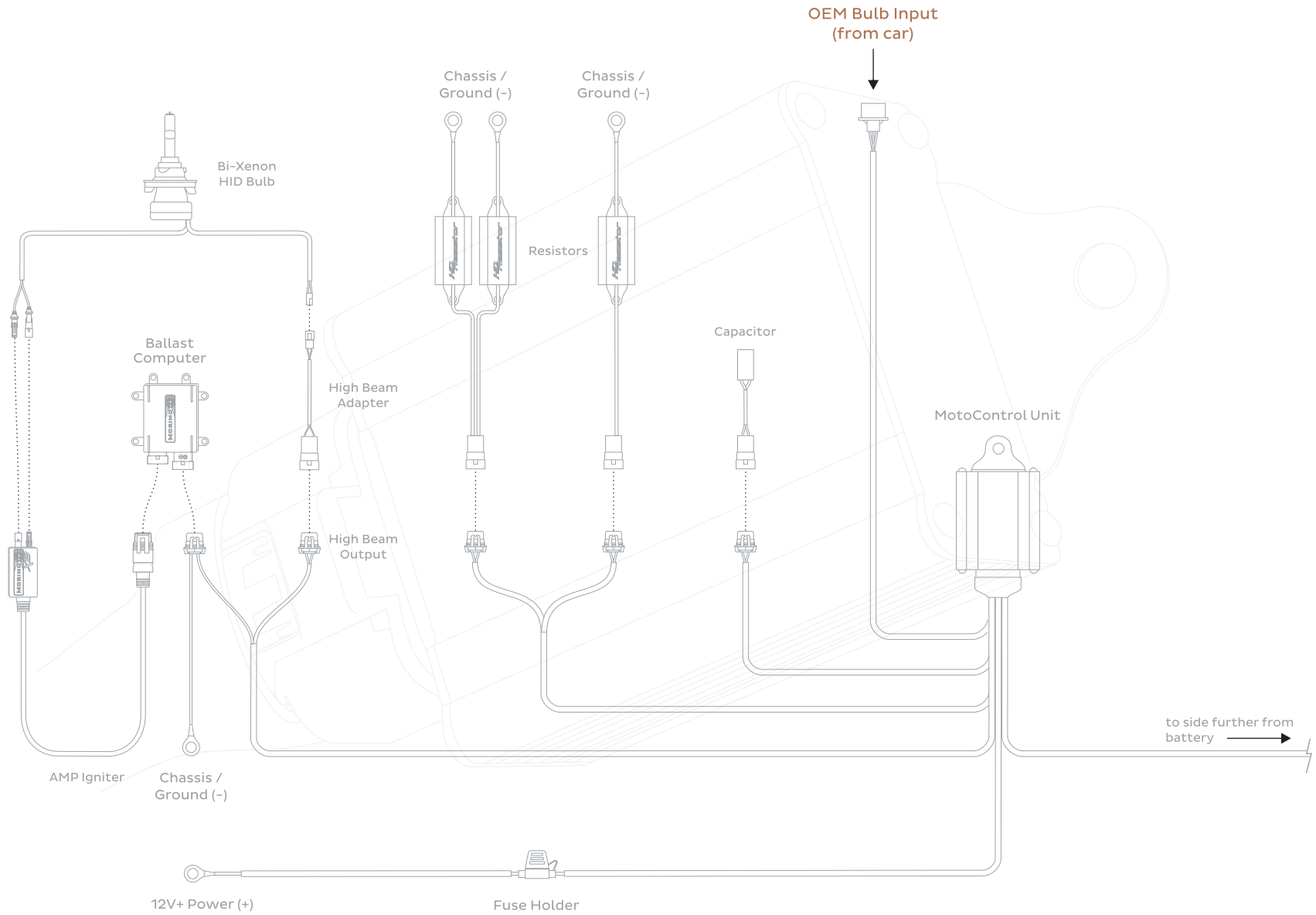


NOTE: System diagrams are to be used for reference purposes only. If you are unsure of the installation procedure for any individual part, review its install procedure prior to proceeding.

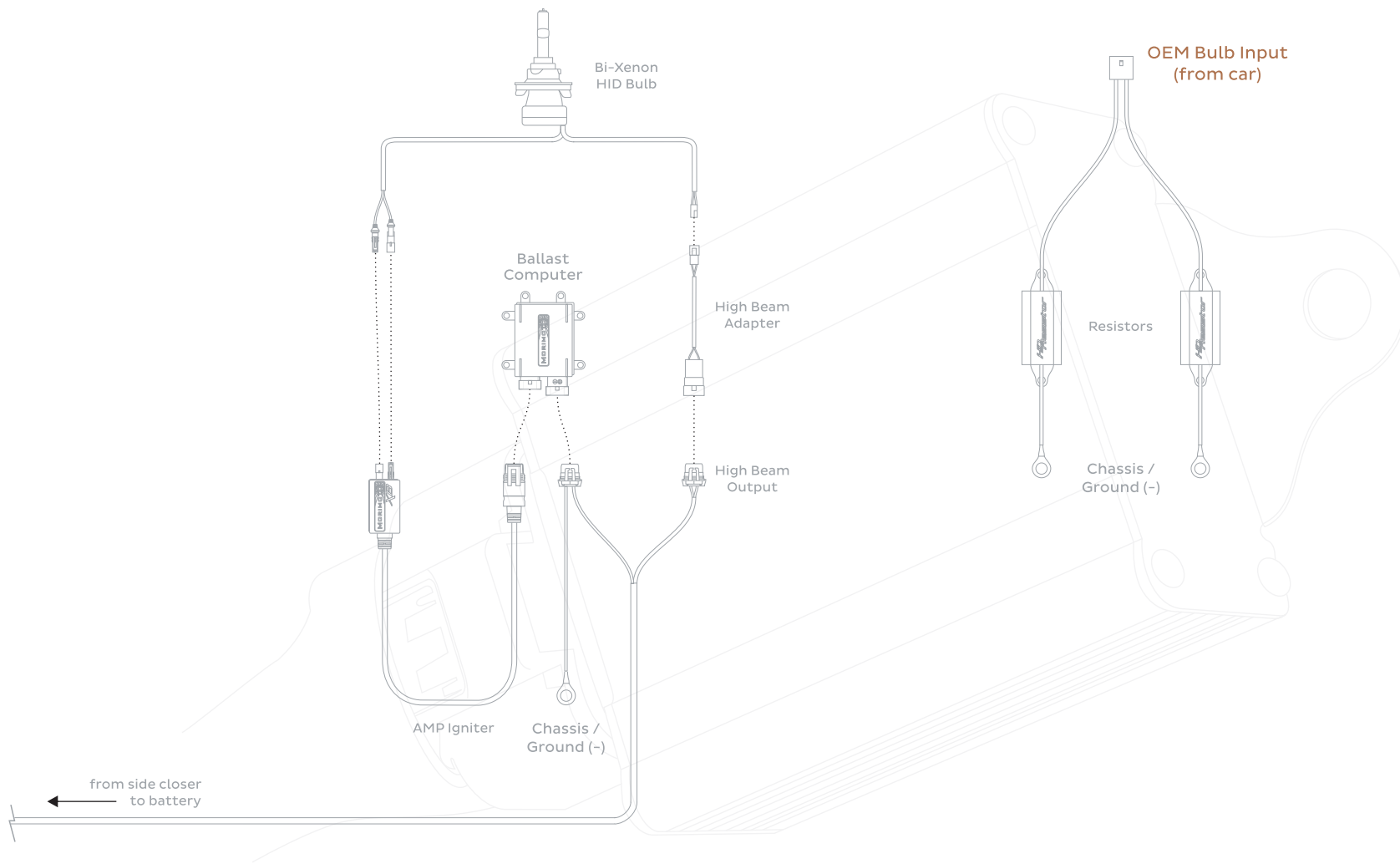
H13 MOPAR-SPECIFIC HARNESS



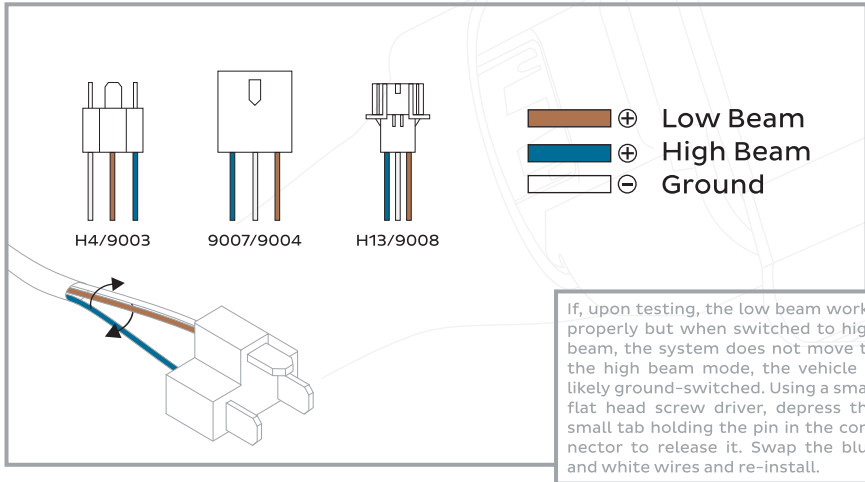
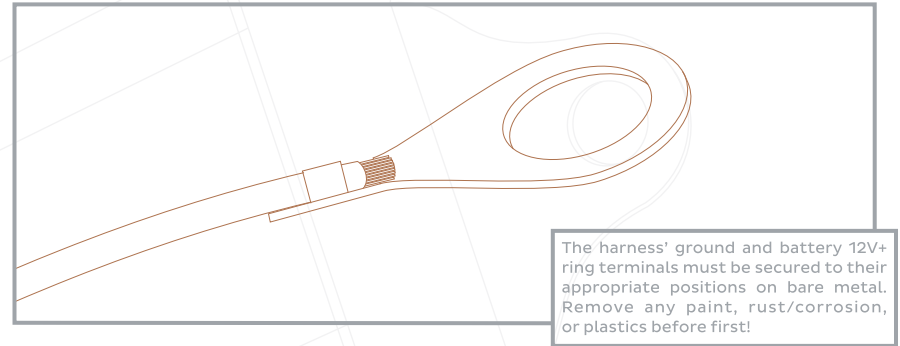
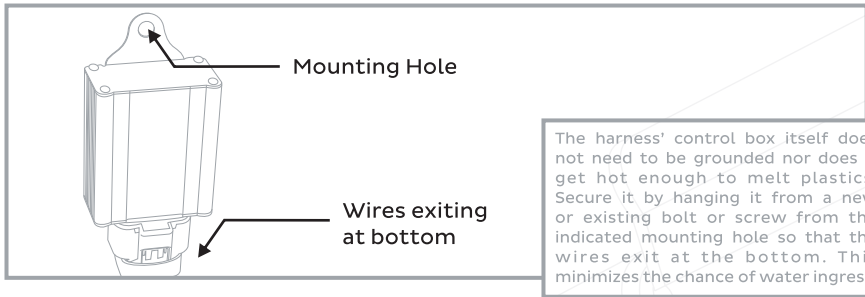
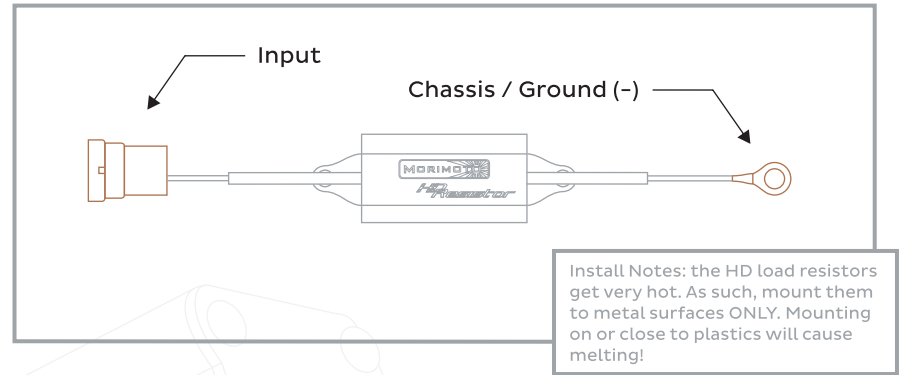
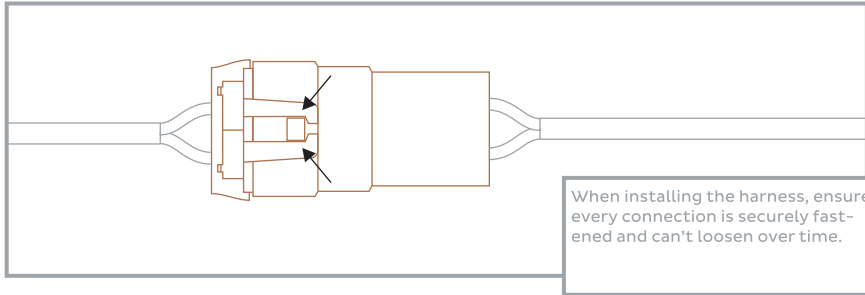
Side of vehicle
closer to battery



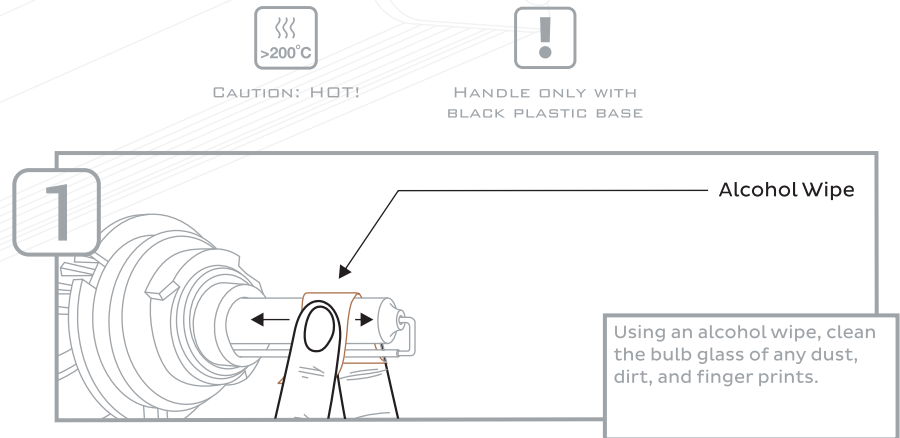
Side of vehicle
further from battery

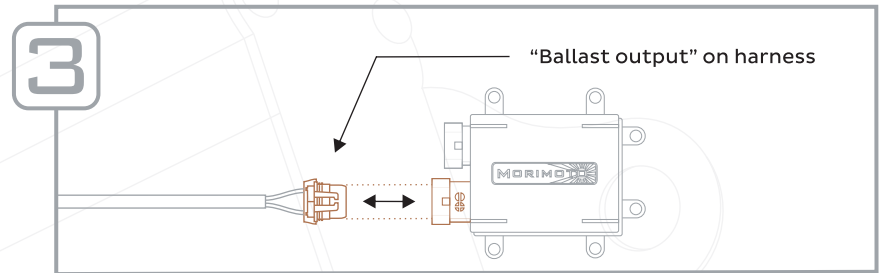
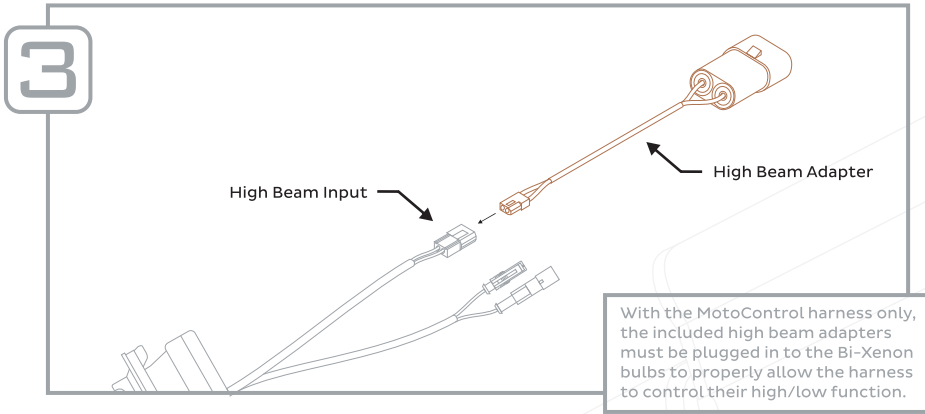
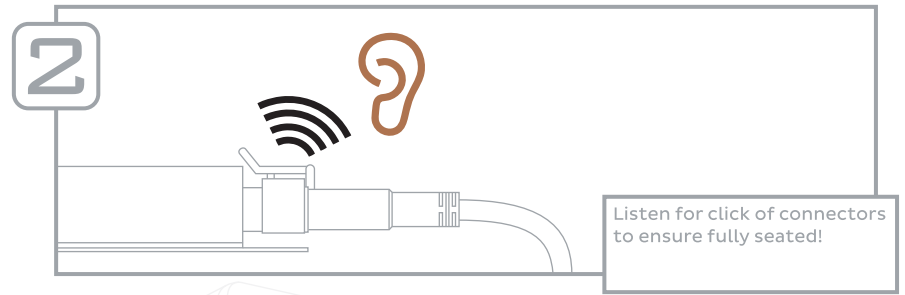
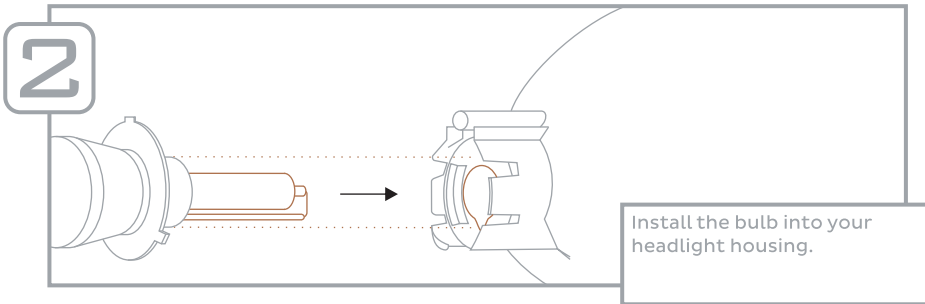


HARNESS INSTALLATION



BULB INSTALLATION





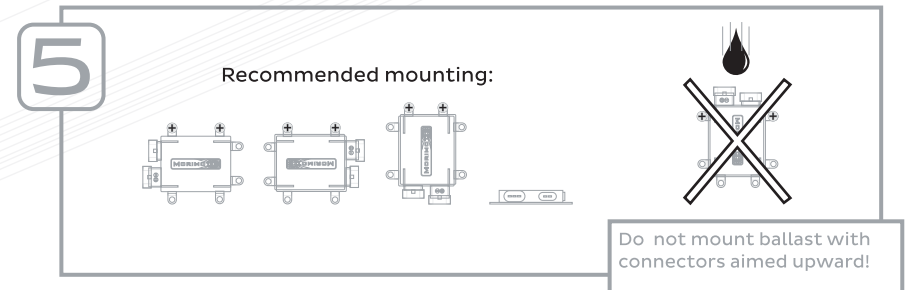
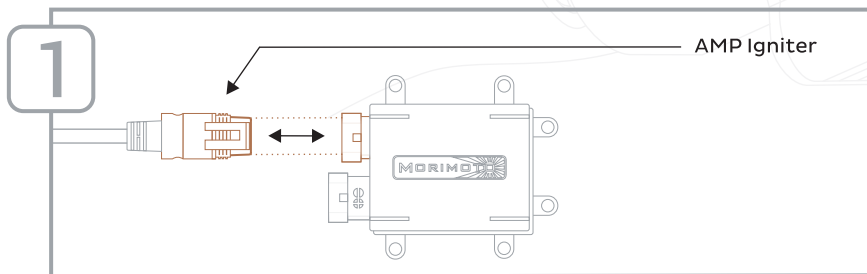
BALLAST INSTALLATION



DO NOT IGNITE UNTIL FULLY CONNECTED!



WATERPROOF



-END-