



D'AVINO

DS60PLUS DUMPER



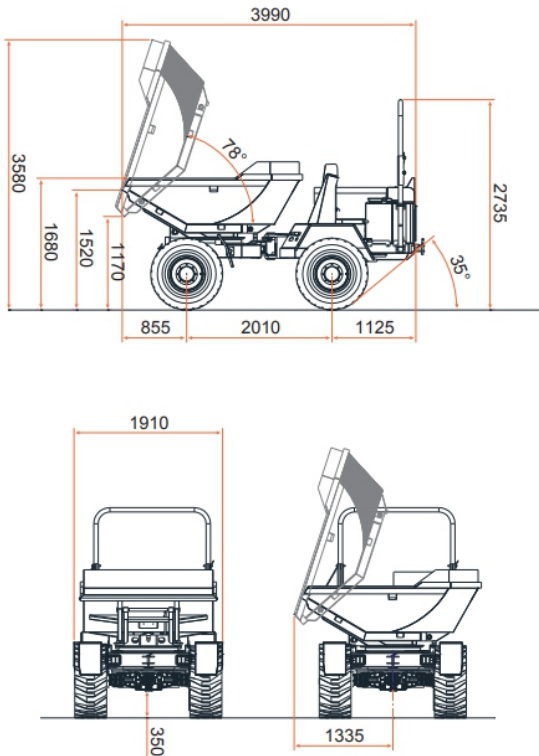
KEY FEATURES

- 180° SWIVEL ABRASION RESISTANT BODY
- ENHANCED STABILITY
- 4WD HYDROSTATIC TRANSMISSION
- FOLDABLE ROPS STRUCTURE
- COMPACT SIZE
- HIGH QUALITY COMPONENTS
- ROBUST AND RELIABLE

NIMAC
PACIFIC

PERFORMANCE

MODEL	DS60 PLUS
Maximum Load Capacity	6000 Kg
SAE Heaped Capacity	3400 L
Struck Capacity	2900 L
Unladen Weight	3500 Kg
MAX Driving Speed	30 Km/h
MAX Gradeability with Full load	40%



STANDARD SPECIFICATIONS:

ENGINE	
Model	Yanmar Diesel Tier IIIA
Engine Power	(52,1 Kw/70,7 Hp)
TRANSMISSION	
Type/Model	Automotive Hydrostatic Transmission
Axles	Planetary reduction on differential output
Maximum Travel Speed	30 Km/h
Gears	2 Forward and 2 Reverse
BRAKES	
Service and Parking Brakes	Oil-Immersed Multi-discs Hydraulically Operated
TYRES	
Standard Tyres	12.5/80-18"
DRIVING PLATFORM	
Grammer Deluxe seat	Std
Foldable ROPS Protection frame	Std
HYDRAULIC SYSTEM	
Double Hydraulic Gear Pump	13,8/16 cm ³
BODY	
Certified HARDOX 450 Abrasion Resistant Body Structure	Std
180° Swivel body, unloading on 3 sides	Std
MISCELLANEOUS	
Fuel tank capacity	60 L
Hydraulic tank capacity	38 L
Electrical system voltage	12v
AVAILABLE OPTIONS	
Yanmar TierV engine	Optional
Rear Reversing Camera System	Optional
LED Work lights Kit	Optional
Canopy	Optional



MADE IN ITALY 