



Center Basket Troffer Eco

TECHBRITE™
Saving energy in the best possible LIGHT

Features

- Standard Troffer Mounting
- 5 Year Warranty
- Calculated L70 @ 131,000 hours
- IC Rated

Applications

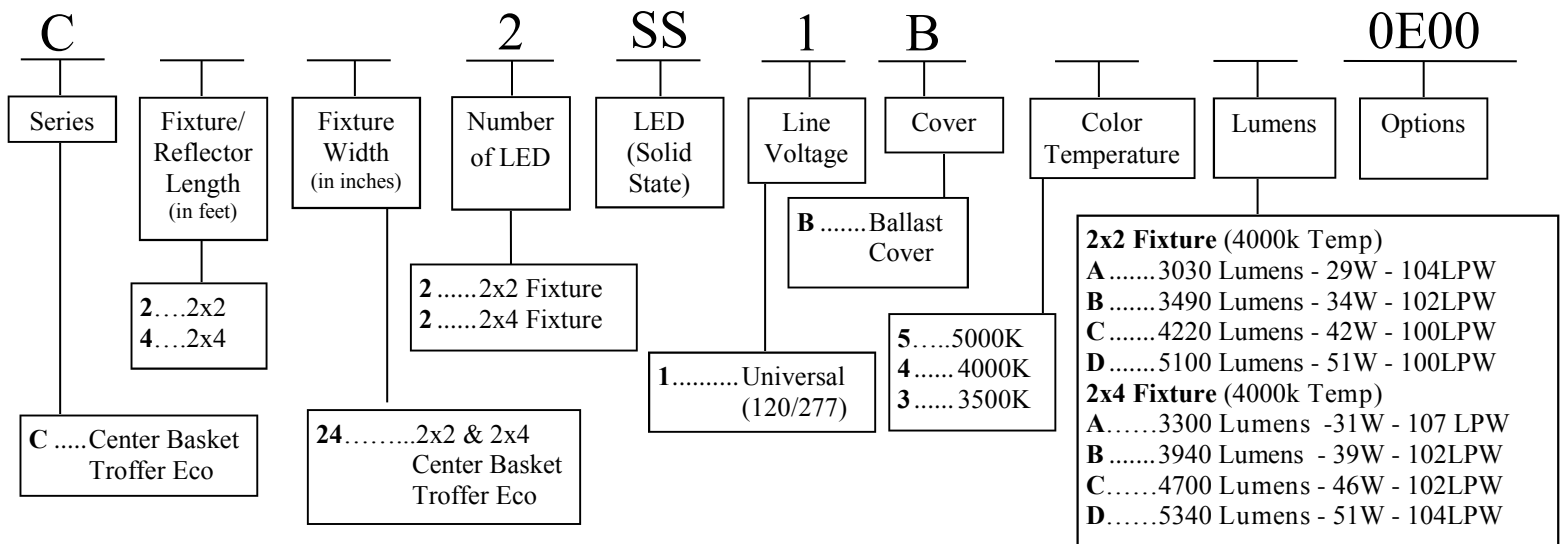
- Office
- Schools
- Universities
- Fitness Rooms
- Hospitals

Features

- Distinctive Center Lensed Troffer
- Low Glare, Balanced Light Output
- Lower Profile Ideal for New Construction or Renovation
- 0-10V Dimming



Proudly made in the U.S.A



1000 Kieley Place., Cincinnati OH 45217

513-772-5070 office

513-252-0590 fax

www.techbrite.com

*Input wattage calculated using ballast manufacturer data in an open-air lamp application.

*Actual fixture wattage may vary based upon a variety of factors including: ballast factor; lamp wattage; input line voltage; ballast manufacturer; and/or environmental temperature.