



TECHBRITE™

Saving energy in the best possible LIGHT

WIRELESS DIMMING/CONTROLS

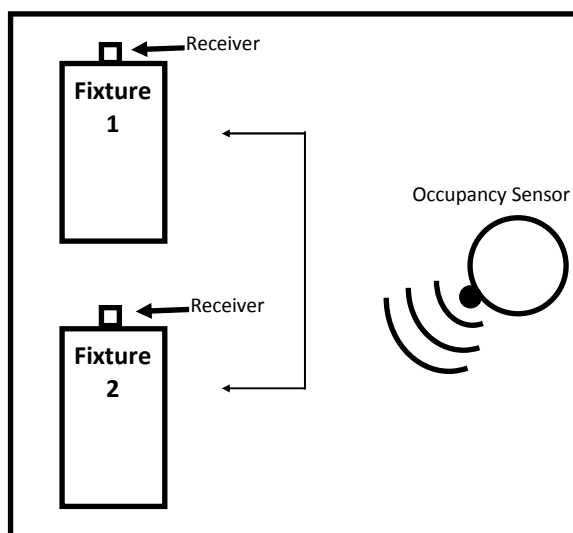
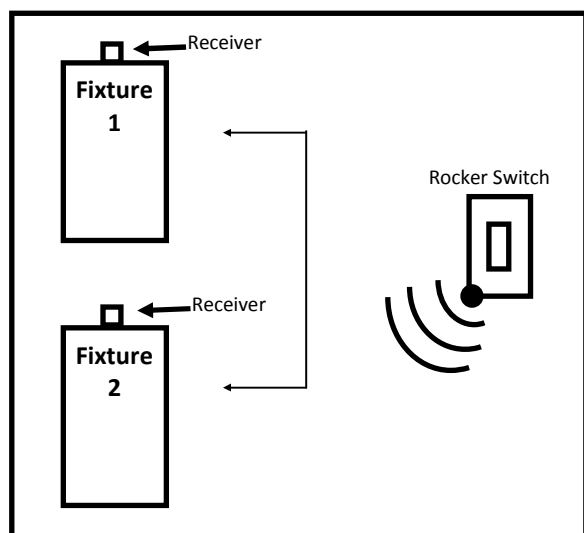


Applications

- All retrofit installations
- Conference Rooms: Separate Banks for Presentation Area and Seating
- Warehouses: Control Lighting in Specific Aisles/Work Areas
- Hospital Rooms: Over Bed Lighting Control
- Gyms/Sporting Facilities: Control Lighting Levels for Practices vs. Games
- Offices/cubicles: to

Features

- NO CONTROL WIRES NEEDED—Wirelessly connect fixture to: remote rocker switch (on/off & dimming); occ sensor; and/or photocell. No low voltage wiring between fixtures necessary.
- Dual Rocker Switch can be programmed at the factory or in the field to control two banks of fixtures up to 150ft from controller. Add repeaters for additional range.
- Rocker Switch, both dual and single, need no power or wiring. Can be surface mounted—no outlet box needed, or mounted in existing switch box. Also can be used as a remote.
- Optional Occupancy Sensor is completely wireless and solar powered. Three hours of artificial light will charge unit for two operating weeks.
- Optional Photo Sensor can be mounted anywhere.
- Rocker Switch, Photo Sensors, and Occupancy Sensors can be used in conjunction with each other. Rocker Switch would override sensors for on/off control.



1000 Kieley Place., Cincinnati OH 45217

513-772-5070 office

513-252-0590 fax

www.techbrite.com

*Input wattage calculated using ballast manufacturer data in an open-air lamp application.

*Actual fixture wattage may vary based upon a variety of factors including: ballast factor; lamp wattage; input line voltage; ballast manufacturer; and/or environmental temperature.



TECHBRITE™

Saving energy in the best possible LIGHT

WIRELESS DIMMING/CONTROLS



Available Components

- Receiver (required): **E9X-DUV-10VTP-FX**
- Rocker Switch, either single or dual (required): **E9T-SXA-XX**
- Wall Mount Occupancy Sensor (optional): **E9T-OSW**
- Ceiling Mount Occupancy Sensor (optional): **E9T-OSC**
- Photo Sensor (optional): **E9T-LLS**
- Wireless Dimming Repeater (optional): **E9X-RUV-3HOTP**

Approvals

- **UL 60730 (safety)**
- **UL 2043 (plenum)**
- **CSA c22.2#14-05 (safety)**
- **CE - IEC 60730**
- **FCC: SZV-STM300U, IC: 5713A-STM300U**



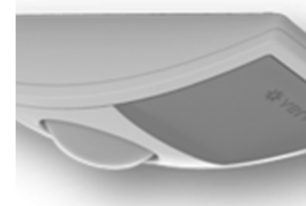
**Fixture Receiver
(E9X-DUV-10VTP-FX)**



**Photo Sensor
(E9T-LLS)**



**Wall Mount Occupancy Sensor
(E9T-OSW)**



**Ceiling Mount Occupancy Sensor
(E9T-OSC)**



**Rocker Switch: Single
(E9T-S1A-XX)**

Rocker Switch Finish	(XX) Part Number Ending
White	-WH
Black	-BK
Light Almond	-LA
Ivory	-IV
Gray	-GY
Brown	-BR



**Rocker Switch: Dual
(E9T-S2A-XX)**

1000 Kieley Place., Cincinnati OH 45217

513-772-5070 office

513-252-0590 fax

www.techbrite.com

*Input wattage calculated using ballast manufacturer data in an open-air lamp application.

*Actual fixture wattage may vary based upon a variety of factors including: ballast factor; lamp wattage; input line voltage; ballast manufacturer; and/or environmental temperature.