



TECHBRITE™

Saving energy in the best possible LIGHT

Express Bay Hi-Bay—LED

Applications

- Ideal replacements for traditional HID fixtures
- Warehouse
- Storage Facilities
- Manufacturing
- Task Lighting
- Automotive Repair

Accessories

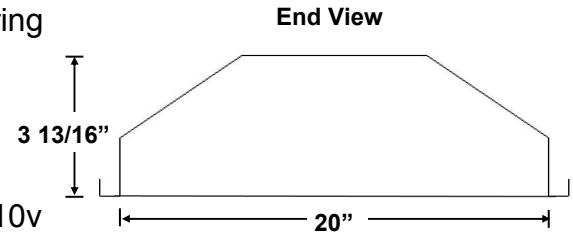
- Occupancy Sensor
- Wire Guard
- Door & Lens
- Hangers

Features

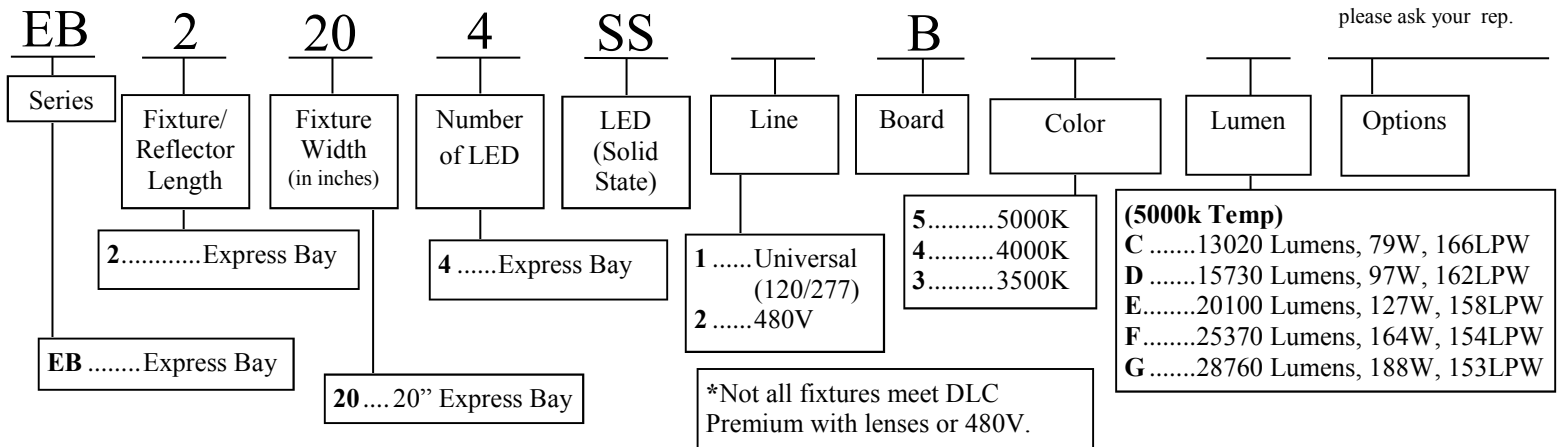


Proudly made in the U.S.A

- Swing away door assembly for simple wiring access
- Fully enclosed fixture **3 13/16"**
- Driver standard with 0-10v dimming
- Easy to install 2 foot design
- 120/277 Calculated TM-21 Hours - 110,000 at L70
- 347/480 Calculated TM-21 Hours - 95,000 at L70
- Min/Max Ambient Temp -4°F/113°F



Many options available, please ask your rep.



1000 Kieley Place., Cincinnati OH 45217

513-772-5070 office

513-252-0590 fax

www.techbrite.com

*Input wattage calculated using ballast manufacturer data in an open-air lamp application.

*Actual fixture wattage may vary based upon a variety of factors including: ballast factor; lamp wattage; input line voltage; ballast manufacturer; and/or environmental temperature.

Ordering Guide

