



TECHBRITE™

Saving energy in the best possible LIGHT

LED Retro—Troffer Eco

Applications

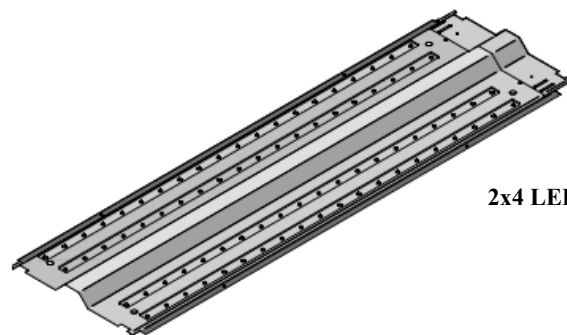
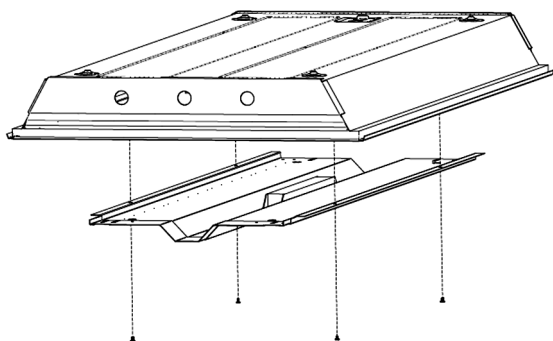
- Office
- Schools
- Universities
- Fitness Rooms
- Hospitals

Features

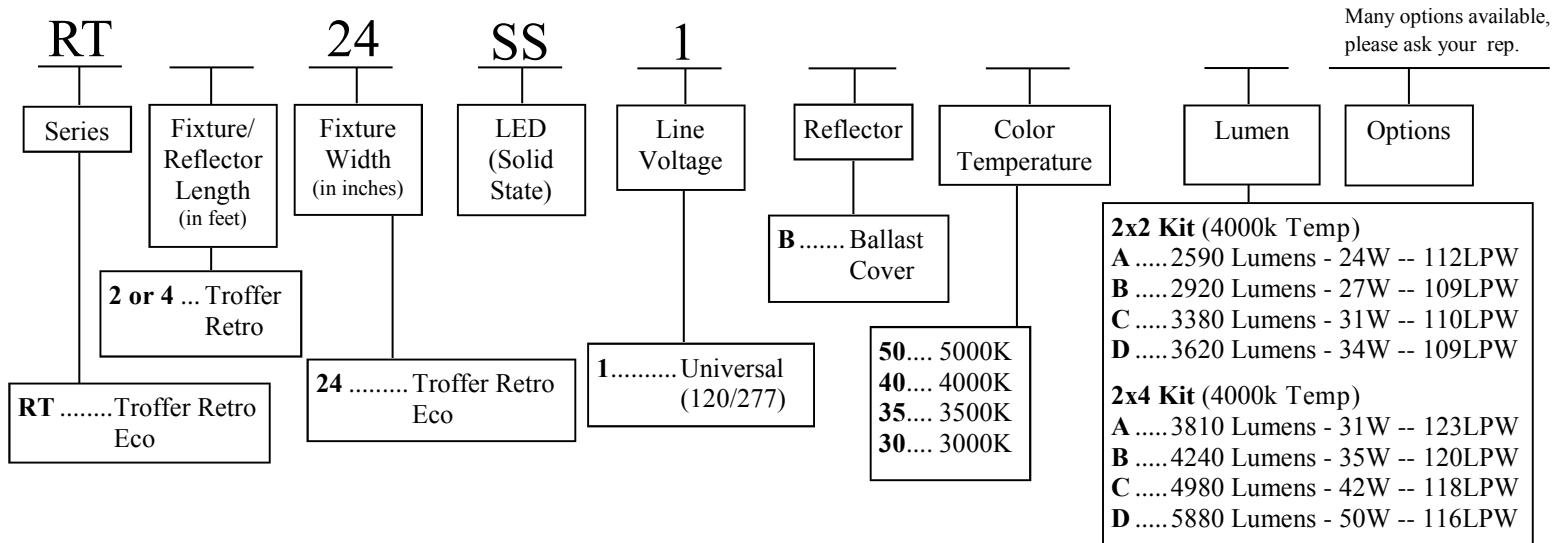


Proudly made in the U.S.A

- LED boards and drivers installed directly to retro kit at factory
- Available in 2x2 & 2x4
- 0-10v Dimming
- Kit includes: LED Boards, LED Driver, mounting screws
- Integrated Sensor Available for Maximum Controllability
- TM-21 - L85 > 140,000 Hours



2x4 LED Retro



1000 Kieley Place., Cincinnati OH 45217

513-772-5070 office

513-252-0590 fax

www.techbrite.com

*Input wattage calculated using ballast manufacturer data in an open-air lamp application.

*Actual fixture wattage may vary based upon a variety of factors including: ballast factor; lamp wattage; input line voltage; ballast manufacturer; and/or environmental temperature.