

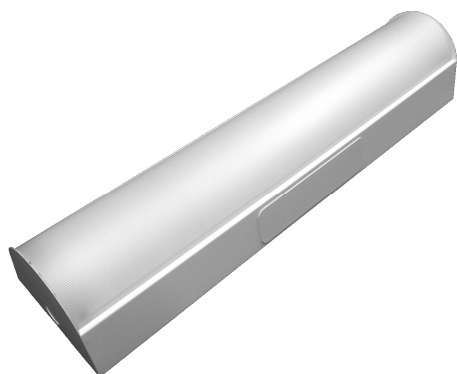


Corridor/Stairwell Fixture —LED

TECHBRITE™
Saving energy in the best possible LIGHT

Applications

- Corridors
- Stairwells
- Vanity
- Retail
- Commercial

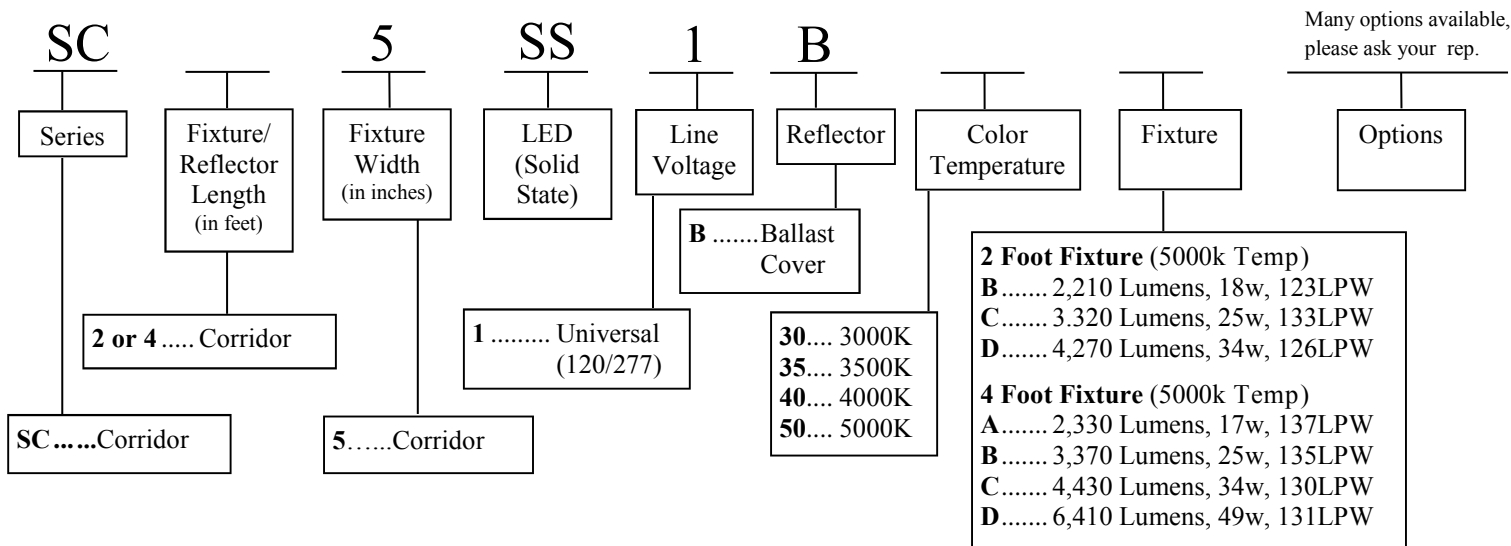


Features



Proudly made in the U.S.A

- 0-10v Dimming Driver Standard
- Post-Painted Steel Body
- Engineered diffuser to maximize LED performance
- Curved body to increase light output and efficiency
- 2 Foot and 4 Foot
- Limited Warranty: 5 years on luminaire
- 4FT 120/277 L70 @ > 200,000 hrs
- 4FT 120/277 L85 @ > 150,000 hrs
- Ceiling or Wall Mount



1000 Kieley Place., Cincinnati OH 45217

513-772-5070 office

513-252-0590 fax

www.techbrite.com

*Input wattage calculated using ballast manufacturer data in an open-air lamp application.

*Actual fixture wattage may vary based upon a variety of factors including: ballast factor; lamp wattage; input line voltage; ballast manufacturer; and/or environmental temperature.