

PROJECT NAME:
NOTES:
PART NUMBER:
DATE:

LED SHOEBOX/ FLOOD



PRODUCT DESCRIPTION:

Need to illuminate large areas? The TechBrite LED Shoebox/ Flood Fixture is the perfect solution. The bronze powder coated, cast aluminum body design provides protection from harsh outdoor elements and a superior cooling factor, enabling optimal lifetime performance. The LED Shoebox/Flood Fixture features advanced designed optics for improved light utilization and evenness. The LED Shoebox/Flood Fixture is an ideal replacement for HID/Metal Halide and reduces wattages as much as 75%. With over 100 LPW the LED Shoebox/Flood Fixture is well-suited for many applications: Roadways, Industrial Parking Lots, Residential Areas, Sidewalks, Walkways, etc. Reduce energy, reduce maintenance costs, and improve the appearance of any outdoor environment with TechBrite LED Shoebox/Flood Fixture.

FEATURES:

- Light Weight Cast Aluminum
- Available in 347/480v
- Available in 4000k & 5000k
- IP66/Wet Location
- Type 3 or Type 5 Distribution
- Photocell & PIR Sensor available
- Limited Warranty: 5 years on luminaire

PERFORMANCE SPECIFICATION:

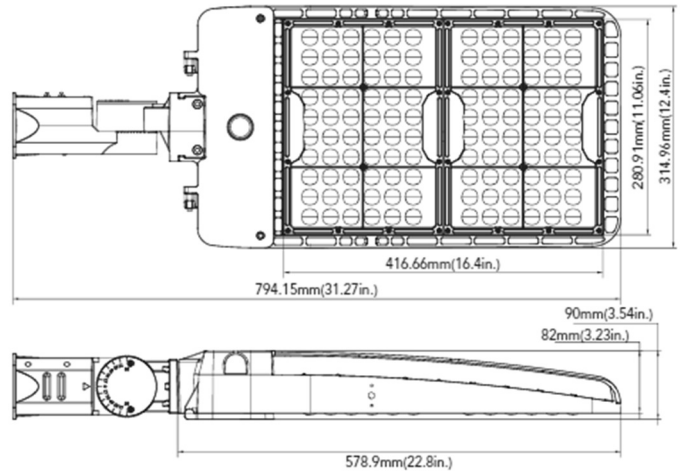
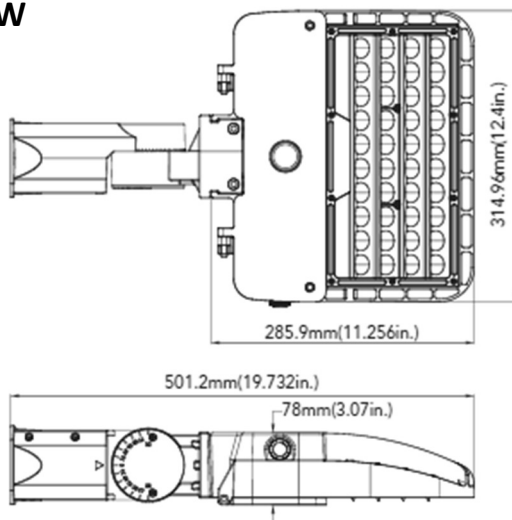
Lumens	9000 / 13000 / 18500 / 33000/ 39000
Watts	70 / 105 / 150 / 250 / 300
LPW	128 / 128 / 123 / 132 / 130
Color*	5000*
CRI	>80
L70	L70 @ > 50,000 hrs
Max Ambient Temp	113° F
Min Ambient Temp	-40° F
Dimming	0-10v
Driver Voltage	120/277 - 347/480
IP Rating	IP65
Distribution Type*	Type III*
Chip	Lumileds

*Performance data: 5000k, Type 3 Distribution, 120/277



DIMENSIONS:

105W



250W & 300W

MOUNTING OPTIONS:



Straight Arm Mount

4" and 5" Square & Round Poles



Slip Fitter



Wall Mount

J Box & 1/2" Conduit



ORDERING CHART: (5000k, Dark Bronze, Type 3 Distribution, Slip Fitter Mount— see adders below)

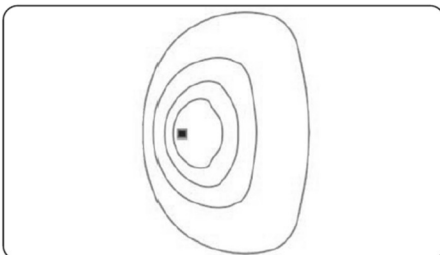
PART NUMBER	LUMENS	WATTS	LPW	VOLT	COLOR	DESCRIPTION	DIMENSIONS	WEIGHT	DLC
TB-SB70W2750KDSPT3-M	9000	70	128	120-277	5000	LED Shoebox/ Slipfitter / Type 3	46x36.5x12cm	11 LBS	Premium
TB-SB105W2750KDSPT3-M	13000	105	123	120-277	5000	LED Shoebox/ Slipfitter / Type 3	46x36.5x12cm	11 LBS	Standard
TB-SB110W4850KDSPT3-M	13000	110	118	347-480	5000	LED Shoebox/ Slipfitter / Type 3	46x36.5x12cm	11 LBS	Standard
TB-SB150W2750KDSPT3-M	18500	150	123	120-277	5000	LED Shoebox/ Slipfitter / Type 3	54x36x12cm	16 LBS	Premium
TB-SB150W4850KDSPT3-M	19000	150	126	347-480	5000	LED Shoebox/ Slipfitter / Type 3	54x36x12cm	16 LBS	Premium
TB-SB250W2750KDSPT3-M	33000	250	132	120-277	5000	LED Shoebox/ Slipfitter / Type 3	54x36x12cm	27LBS	Standard
TB-SB250W4850KDSPT3-M	33000	250	132	347-480	5000	LED Shoebox/ Slipfitter / Type 3	54x36x12cm	27LBS	Standard
TB-SB300W2750KDSPT3-M	39000	300	130	120-277	5000	LED Shoebox/ Slipfitter / Type 3	54x36x12cm	27 LBS	Premium
TB-SB300W4850KDSPT3-M	39000	300	130	347-480	5000	LED Shoebox/ Slipfitter / Type 3	54x36x12cm	27 LBS	Premium

ADDER ORDERING CHART: Example: TB-SB 150W 27V 40K D P0 SP T3

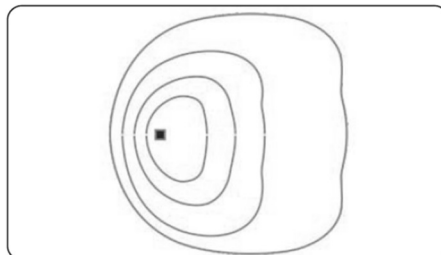
Fixture Type	Wattage		Voltage		CCT		Finish		Photocell (Optional)		Sensor (Option)		Mounting		Distribution Type		Surge Protection (Option)	
	70	70w	27V	120-277v	40K	4000K	D	Dark Bronze	P0	120-277v	M	120-277v	SQ	Square/Round Pole Mount	T3	Type 3	S	Surge Protection
	105	105w	48V	347-480v	50K	5000K	B	Black	P3	347v	M4	347-480v	SP	Slipfitter Mount	T4	Type 4	Blank	No Surge Protection
	150	150w					W	White	P4	480v	Blank	No Sensor	WM	Wall Mount	T5	Type 5		
	250	250w							Blank	No Photocell								
	300	300w																

PHOTOMETRICS:
Type 3:

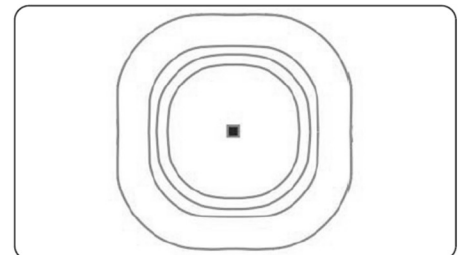
Type 3 optics produce an asymmetrical pattern that directs the majority of the light forward and equally on both sides of the luminaire. In a back-to-back configuration, it creates a rectangular pattern which can extend pole spacing.


Type 4:

Type 4 is suitable for applications where light is primarily required forward, and minimal backlight is desired. Typical installations include perimeter poles.


Type 5:

Type 5 optics produce a symmetrical square pattern that distributes light equally on all sides of the luminaire.



60 watt replaces 250 watt HID
 100 watt replaces 400 watt HID
 250/300 watt replaces 1000 watt HID