



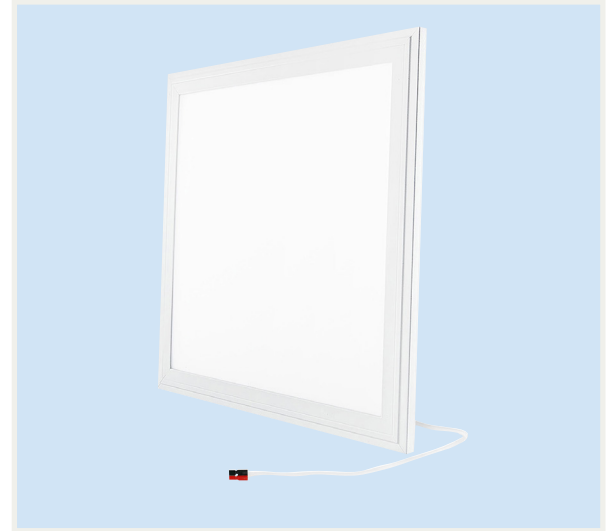
# 2' X 2' NON-FERROUS MRI LED PANEL



|         |       |
|---------|-------|
| PROJECT |       |
| TYPE    | PART# |

## PRODUCT FEATURES

- Plug & Play 24 Volt design for quick install and design flexibility
- Constant voltage design allows multiple lights per driver and greater energy efficiency
- NON-Ferrous - Perfect for MRI installations
- Dimmable (0-10V or PWM)
- Polycarbonate diffuser will not shatter, sag or yellow
- 100% acrylic light guide panel for color stability
- Edge-lit design for ultra thin profile (3/8")
- Wide 120° beam angle for better spacing
- Lights can be located up to 50' from driver
- IP44 rating for damp or dry locations
- IC rating permits contact with insulation
- Rated for over 50,000 hours LM-70
- Panels may be grid mounted
- Install with TILT® Drivers and Wired Components



## PART NUMBER & PRODUCT GUIDE (2' X 2' NON-FERROUS MRI LED PANEL)

| Grid Mount Part# | Description         | Color Temp | CRI | R9 | Lumens | AC Watts | DC Watts | L/W-DC |
|------------------|---------------------|------------|-----|----|--------|----------|----------|--------|
| LGM2230M-HE      | 2'X2' MRI LED Panel | 3000K      | >80 | >5 | 3750   | 35       | 30       | 121    |
| LGM2235M-HE      | 2'X2' MRI LED Panel | 3500K      | >80 | >5 | 3800   | 35       | 30       | 125    |
| LGM2240M-HE      | 2'X2' MRI LED Panel | 4000K      | >80 | >5 | 3850   | 35       | 30       | 124    |
| LGM2250M-HE      | 2'X2' MRI LED Panel | 5000K      | >80 | >5 | 3900   | 35       | 30       | 126    |

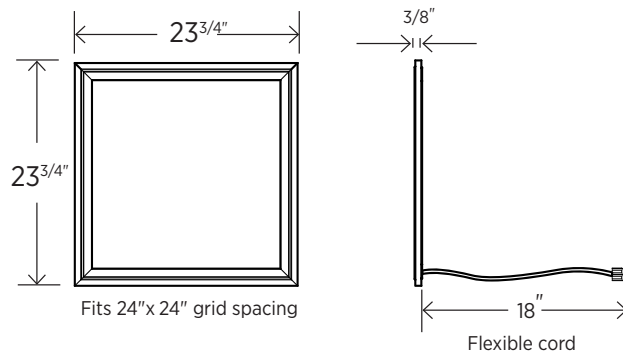
\*HE Model is designed to provide a balance of light quality and energy efficiency.

DRIVER SPECIFICATIONS

| Part # | Size (WxLxD)        | AC Input  | DC Output  | Working Temp | Max Lights/<br>Driver |
|--------|---------------------|-----------|------------|--------------|-----------------------|
| LD16   | 3.0" x 12.0" x 1.5" | 90 - 305V | 24V / 16W  | -35-70C      | 0                     |
| LD25   | 3.0" x 12.0" x 1.5" | 90 - 305V | 24V / 25W  | -35-70C      | 0                     |
| LD40   | 3.0" x 12.0" x 1.5" | 90 - 305V | 24V / 40W  | -40-70C      | 1                     |
| LD60   | 3.0" x 12.0" x 1.5" | 90 - 305V | 24V / 60W  | -40-70C      | 2                     |
| LD90   | 3.0" x 12.0" x 1.5" | 90 - 305V | 24V / 90W  | -40-70C      | 3                     |
| LD100P | 2.6" x 14.0" x 1.6" | 90 - 305V | 24V / 100W | -40-60C      | 3                     |

DIMENSIONAL DATA

GRID MOUNT



If specified for 9/16" grid application, please note it on specification.

Product Weight: 8.8 lbs

PHOTOMETRIC DATA

